



US00D337830S

United States Patent [19]

[11] Patent Number: **Des. 337,830**

Coyne et al.

[45] Date of Patent: **** Jul. 27, 1993**

[54] **MEDICAL SHARPS TRAY**

[76] Inventors: **Nancy A. Coyne**, 85 Spring Lake Dr., DeBary, Fla. 32713; **Ronald D. Russo**, 8 Candleberry Rd., Barrington, R.I. 02806

[**] Term: **14 Years**

[21] Appl. No.: **694,853**

[22] Filed: **May 2, 1991**

[52] U.S. Cl. **D24/229; D24/227**

[58] Field of Search **D24/226, 227, 229, 230; 206/363, 364, 365, 366, 564, 565, 557, 560; 220/908; 604/192, 263**

[56] **References Cited**

U.S. PATENT DOCUMENTS

- D. 194,087 11/1962 Jenkins D24/229
- D. 194,418 1/1963 Gaspar D24/229
- D. 248,871 8/1978 Forsman et al. D24/230

- D. 252,342 7/1979 Brady D24/229
- D. 276,462 11/1984 Villarreal D24/229
- 3,133,635 5/1964 Gordon et al. 206/366
- 4,753,345 6/1988 Goodsir et al. 206/366

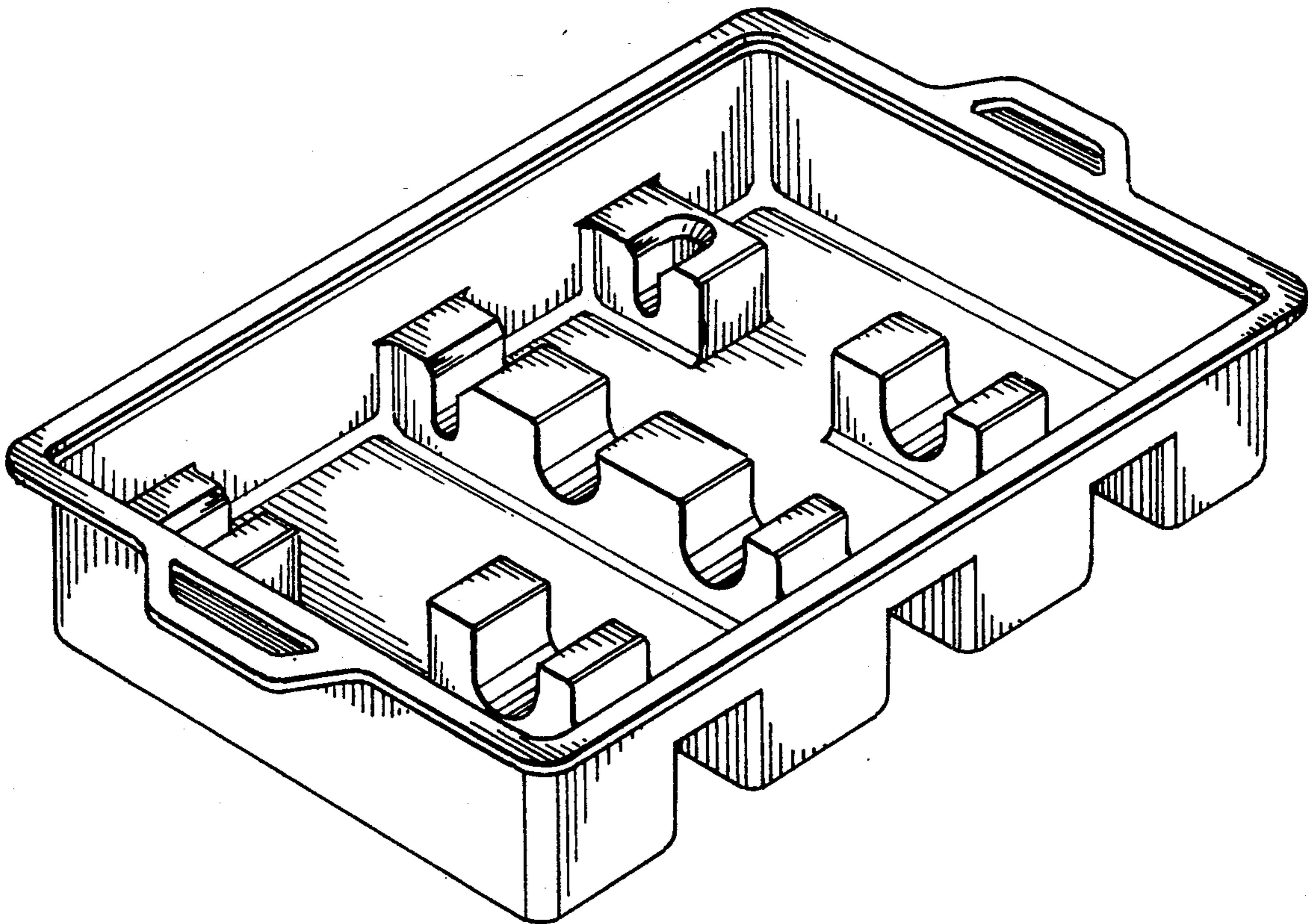
Primary Examiner—Stella Reid
Assistant Examiner—I. Simmons
Attorney, Agent, or Firm—Robert J. Doherty

[57] **CLAIM**

The ornamental design for a medical sharps tray, as shown and described.

DESCRIPTION

FIG. 1 is a top front perspective view of a medical sharps tray, showing our new design; FIG. 2 is a top plan view thereof; FIG. 3 is a front elevational view thereof; FIG. 4 is a side elevational view thereof, the opposite side elevational view being a mirror image thereto; FIG. 5 is a bottom plan view thereof; and, FIG. 6 is a rear elevational view thereof.



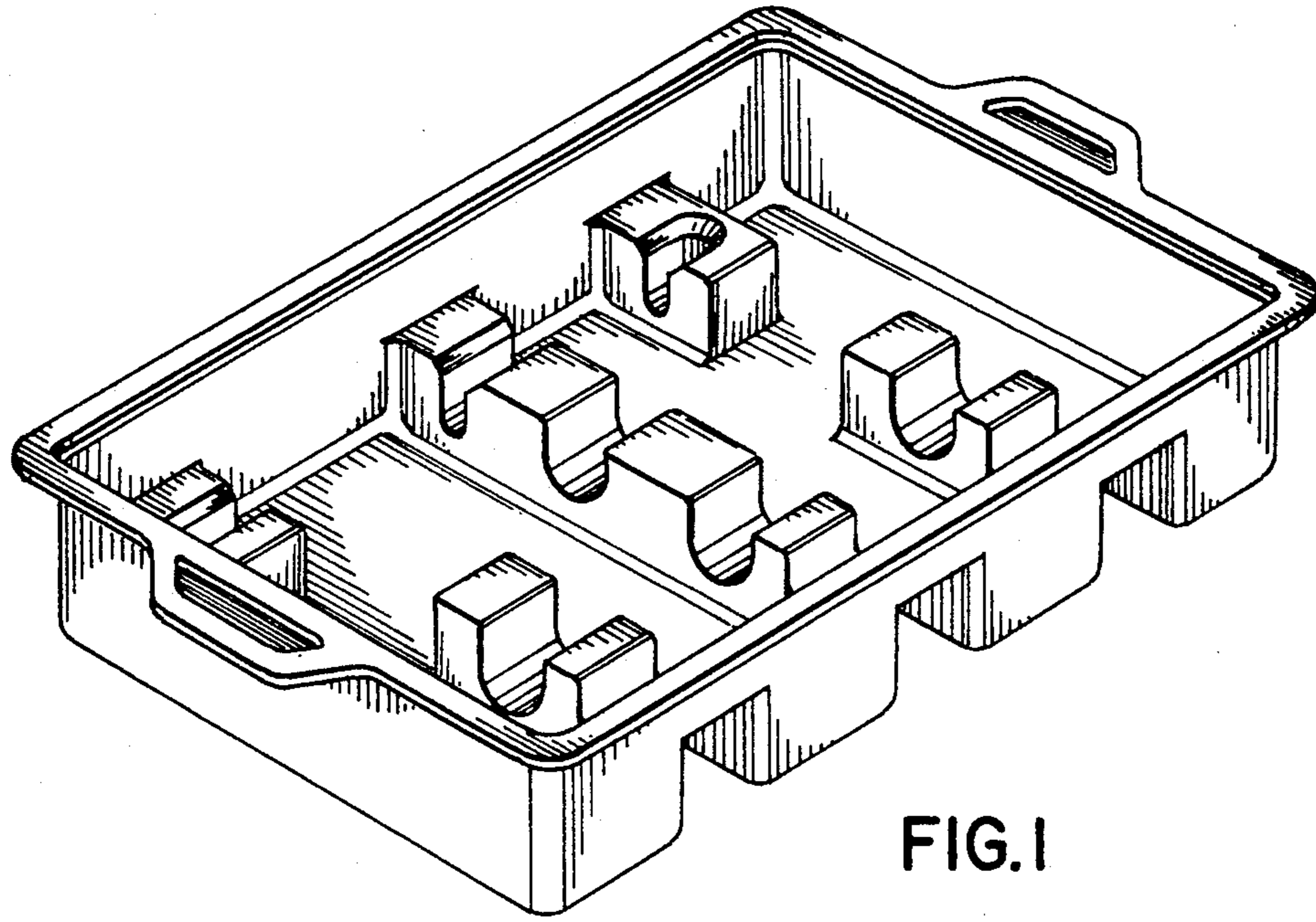


FIG. 1

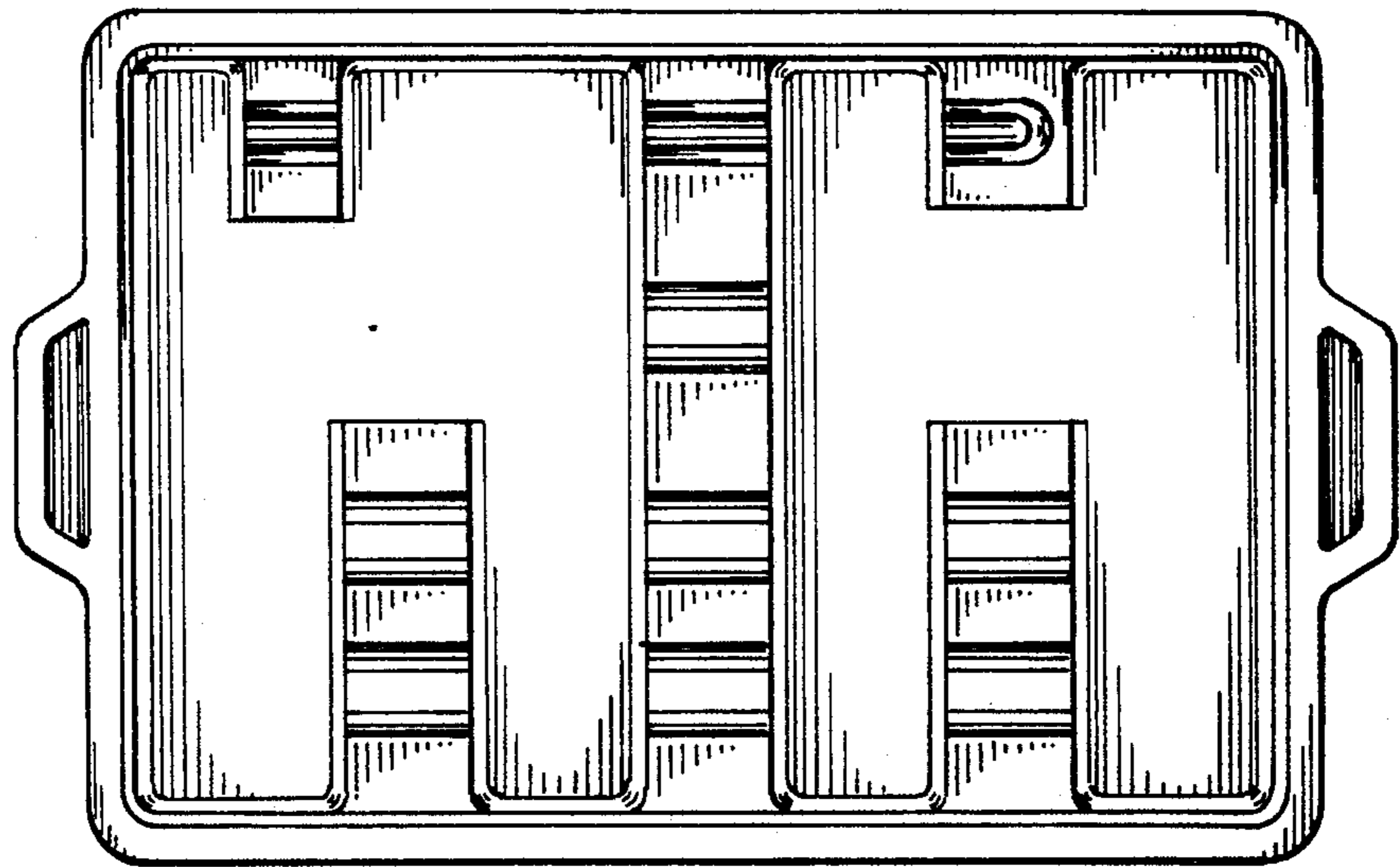


FIG. 2

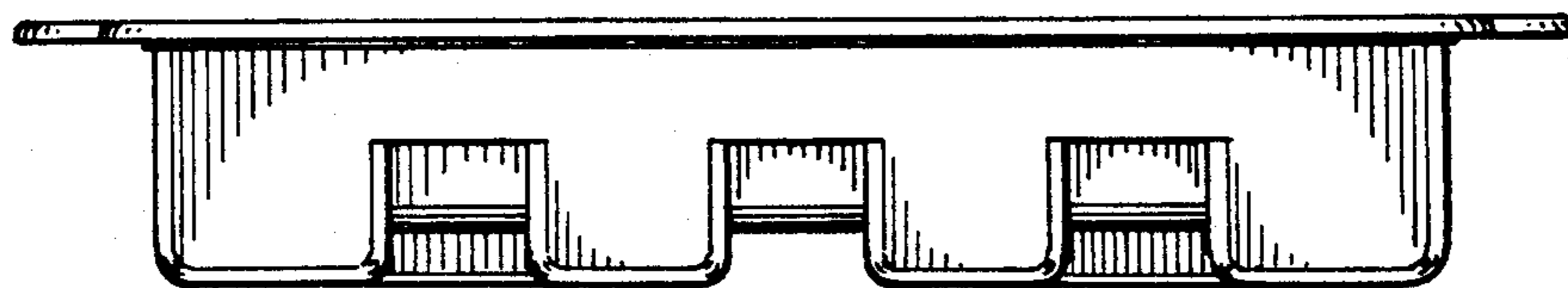


FIG. 3

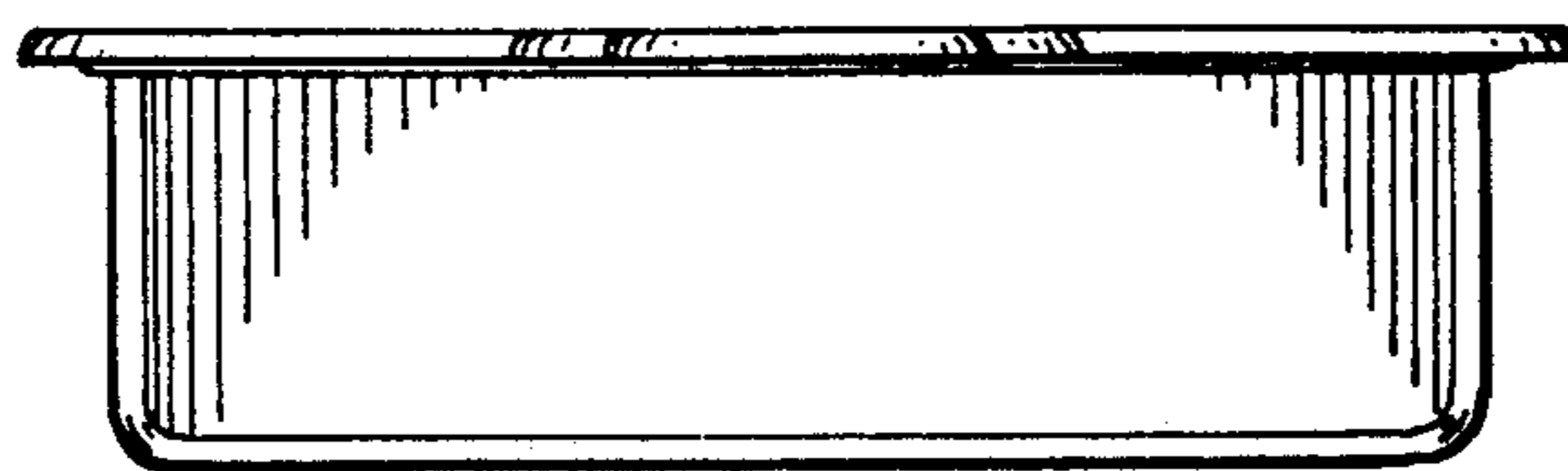


FIG. 4

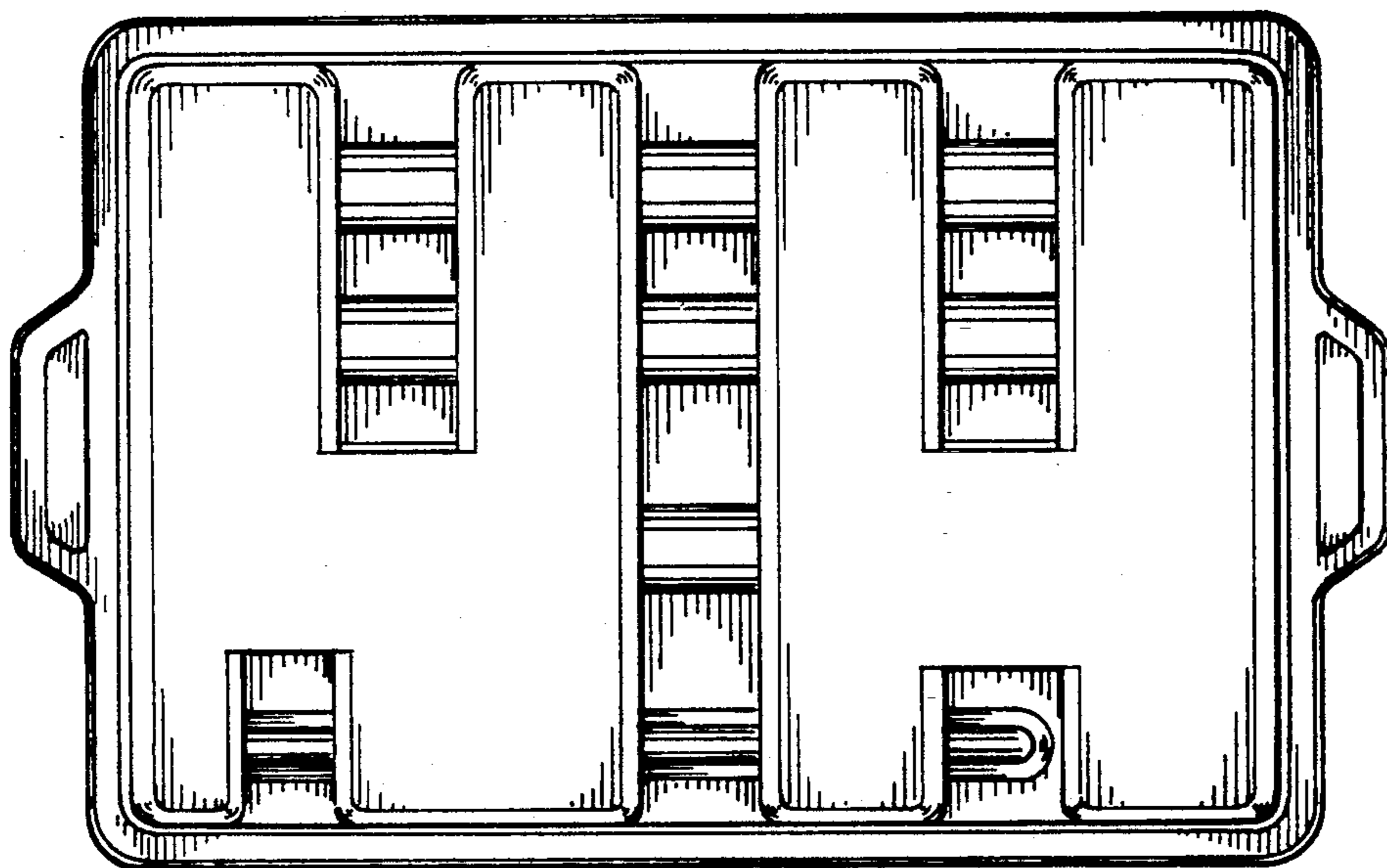


FIG. 5

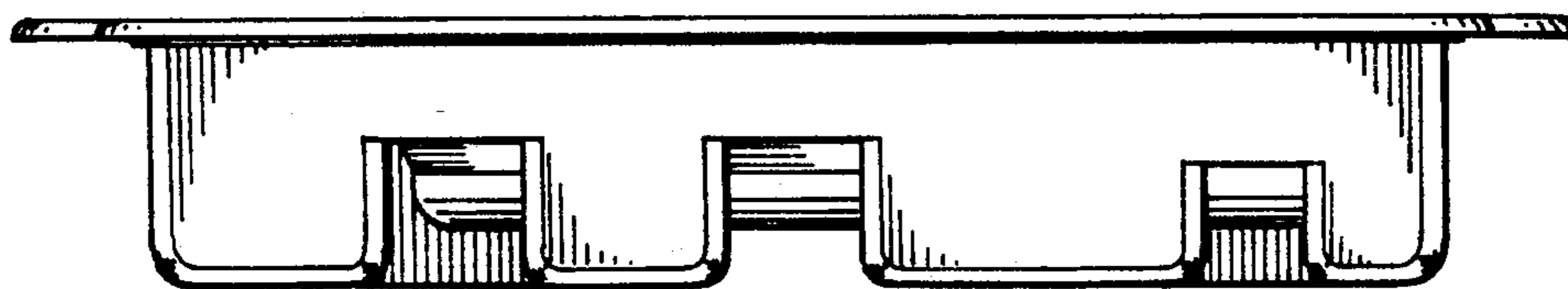


FIG. 6