



US00D337829S

United States Patent [19]

Kerns

[11] **Patent Number: Des. 337,829**

[45] **Date of Patent: ** Jul. 27, 1993**

[54] **FIBER-OPTIC CUVETTE**

[75] **Inventor: Ralph M. Kerns, Laguna Niguel, Calif.**

[73] **Assignee: Medtronic, Inc., Minneapolis, Minn.**

[**] **Term: 14 Years**

[21] **Appl. No.: 722,057**

[22] **Filed: Jun. 27, 1991**

[52] **U.S. Cl. D24/224; D24/229**

[58] **Field of Search D24/216, 223, 224; 422/64, 65, 66, 67, 91, 99, 102; 356/37, 40, 41, 410, 246, 104**

D. 300,361	3/1989	Tokarz	D24/129
D. 302,299	7/1989	Long et al.	D24/224
4,229,179	10/1980	Lee	356/246 X
4,444,498	4/1984	Heinemann	356/246
4,786,474	11/1988	Cooper	422/104 X

Primary Examiner—Stella Reid
Assistant Examiner—I. Simmons
Attorney, Agent, or Firm—Harold R. Patton; Terry L. Wiles

[57] CLAIM

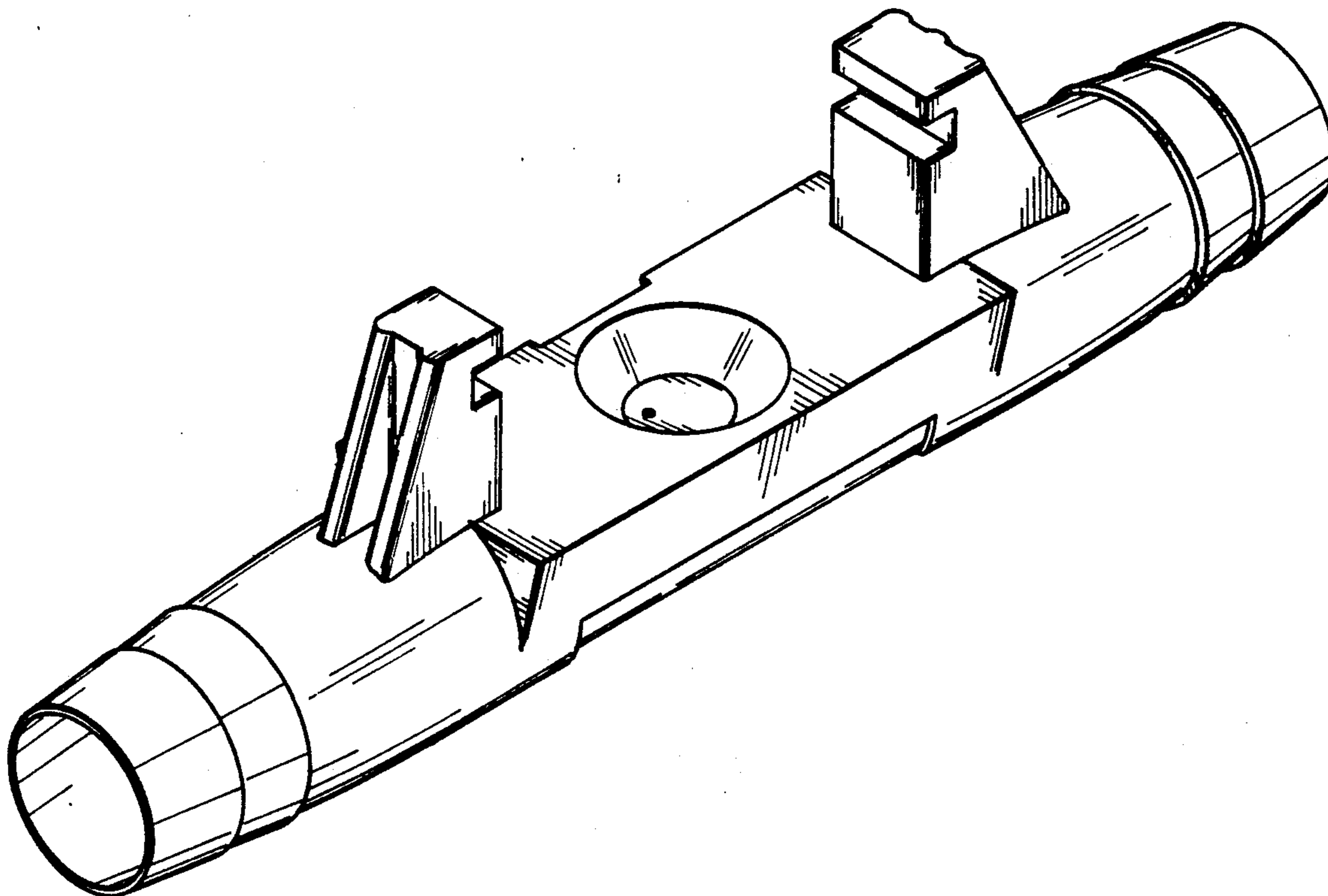
The ornamental design for a fiber-optic, cuvette as described and shown.

DESCRIPTION

FIG. 1 is a perspective of a fiber-optic cuvette, showing my new design;
FIG. 2 is a side elevational view thereof;
FIG. 3 is an end elevational view thereof; and,
FIG. 4 is a bottom plan view thereof.

[56] References Cited U.S. PATENT DOCUMENTS

D. 237,631	11/1975	Katzman	D24/129
D. 285,486	9/1986	Marinkoulch et al.	D24/224



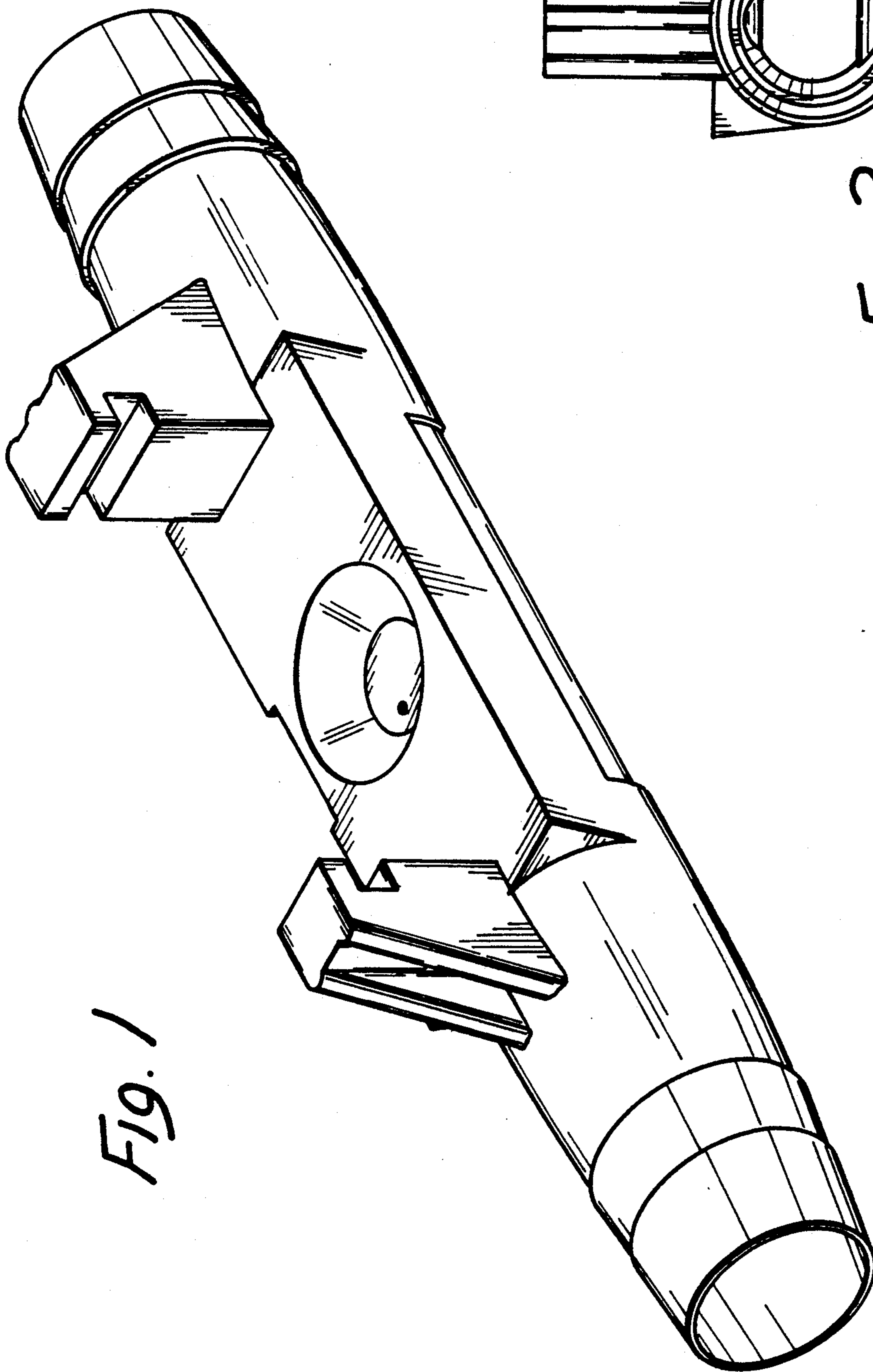


FIG. 1

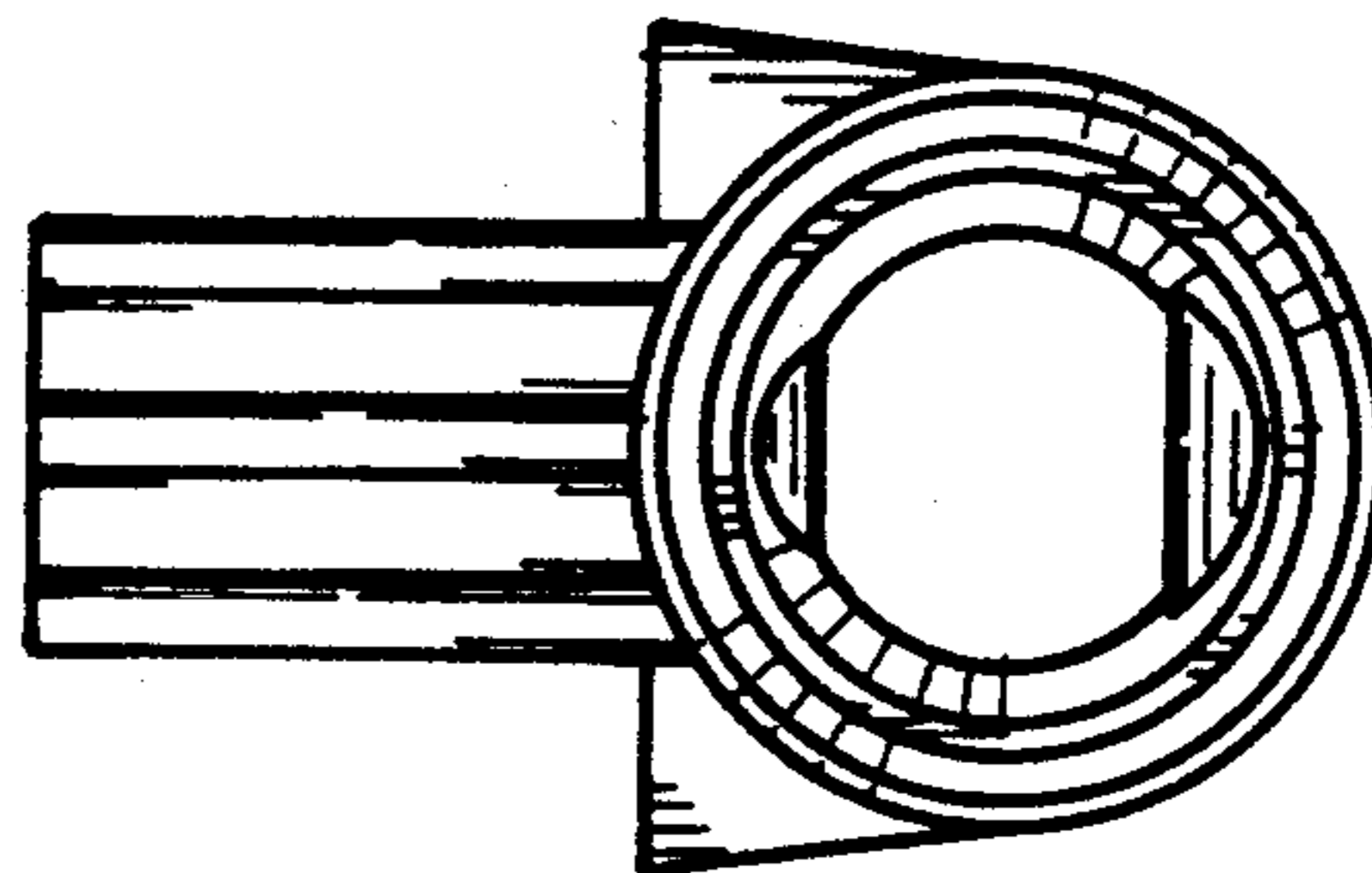


FIG. 3

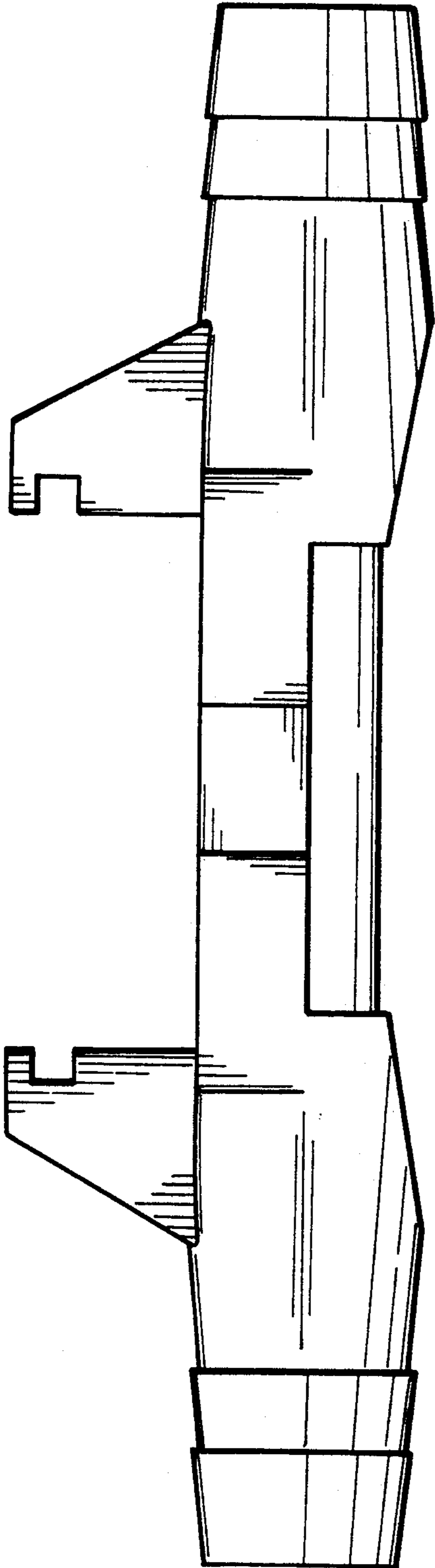


FIG. 2

FIG. 4

