



US00D337828S

United States Patent [19]
Gordon

[11] **Patent Number: Des. 337,828**

[45] **Date of Patent: ** Jul. 27, 1993**

[54] **PILL CRUSHER**

4,366,930 1/1983 Trombeth, Jr. 241/169
4,765,549 8/1988 Sherman 241/169
4,957,130 9/1990 Lee 134/158

[76] **Inventor: David W. Gordon, 419 Harbour Point Dr., Virginia Beach, Va. 23451**

Primary Examiner—Louis S. Zarfes

[**] **Term: 14 Years**

[57] **CLAIM**

[21] **Appl. No.: 626,025**

The ornamental design for pill crusher, as shown and described.

[22] **Filed: Dec. 12, 1990**

[52] **U.S. Cl. D24/220**

[58] **Field of Search D24/110, 133, 220; 134/158; 241/168, 169, 169.1, 169.2**

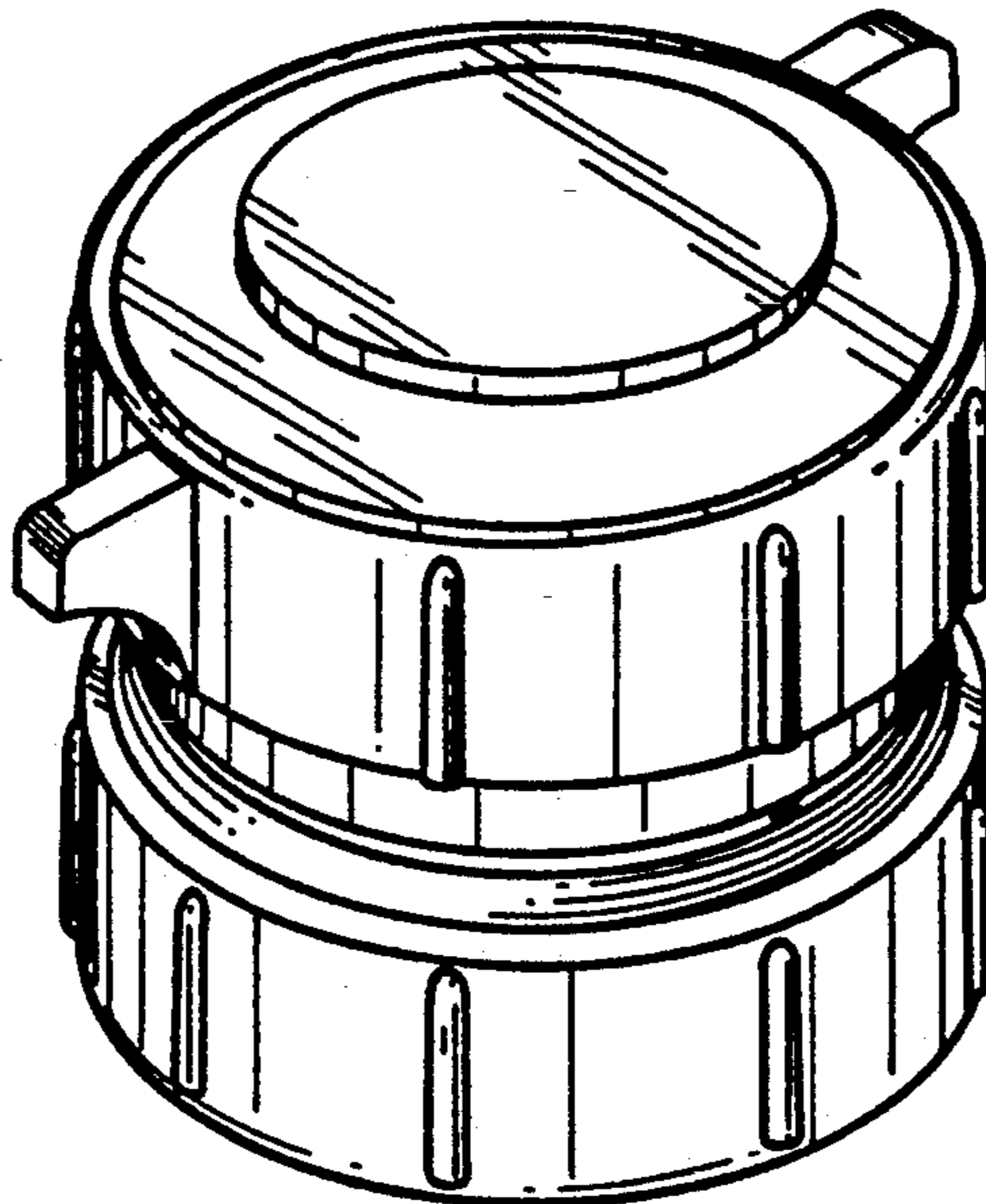
DESCRIPTION

[56] **References Cited**

FIG. 1 is a perspective view of a pill crusher showing my new design;
FIG. 2 is a top plan view of FIG. 1;
FIG. 3 is a bottom plan view of FIG. 1;
FIG. 4 is a side elevational view of FIG. 1;
FIG. 5 is a side elevational view of FIG. 2; and,
FIG. 6 is an exploded perspective view.

U.S. PATENT DOCUMENTS

D. 309,021 7/1990 Beavers D24/110 X



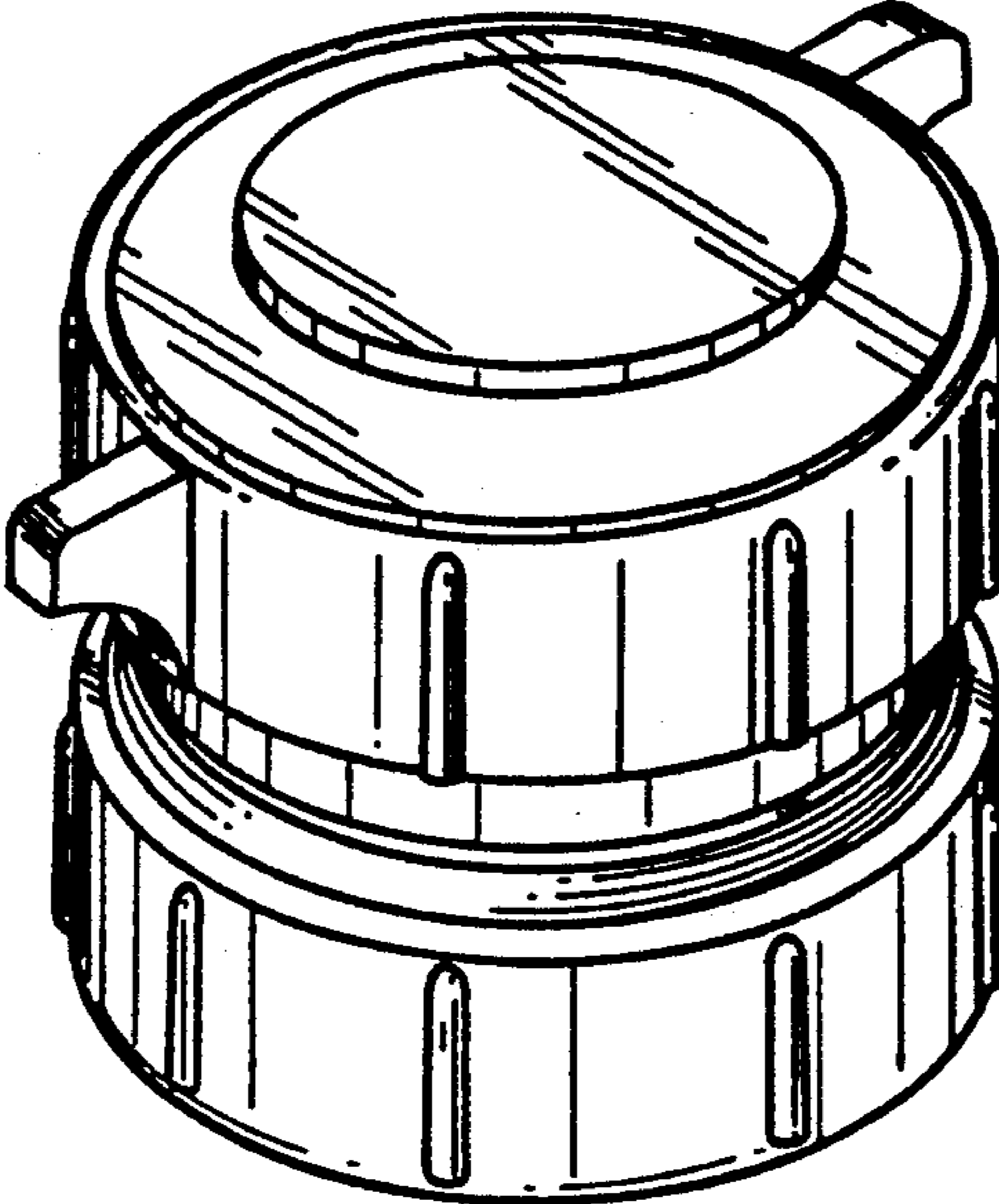


FIG. 1

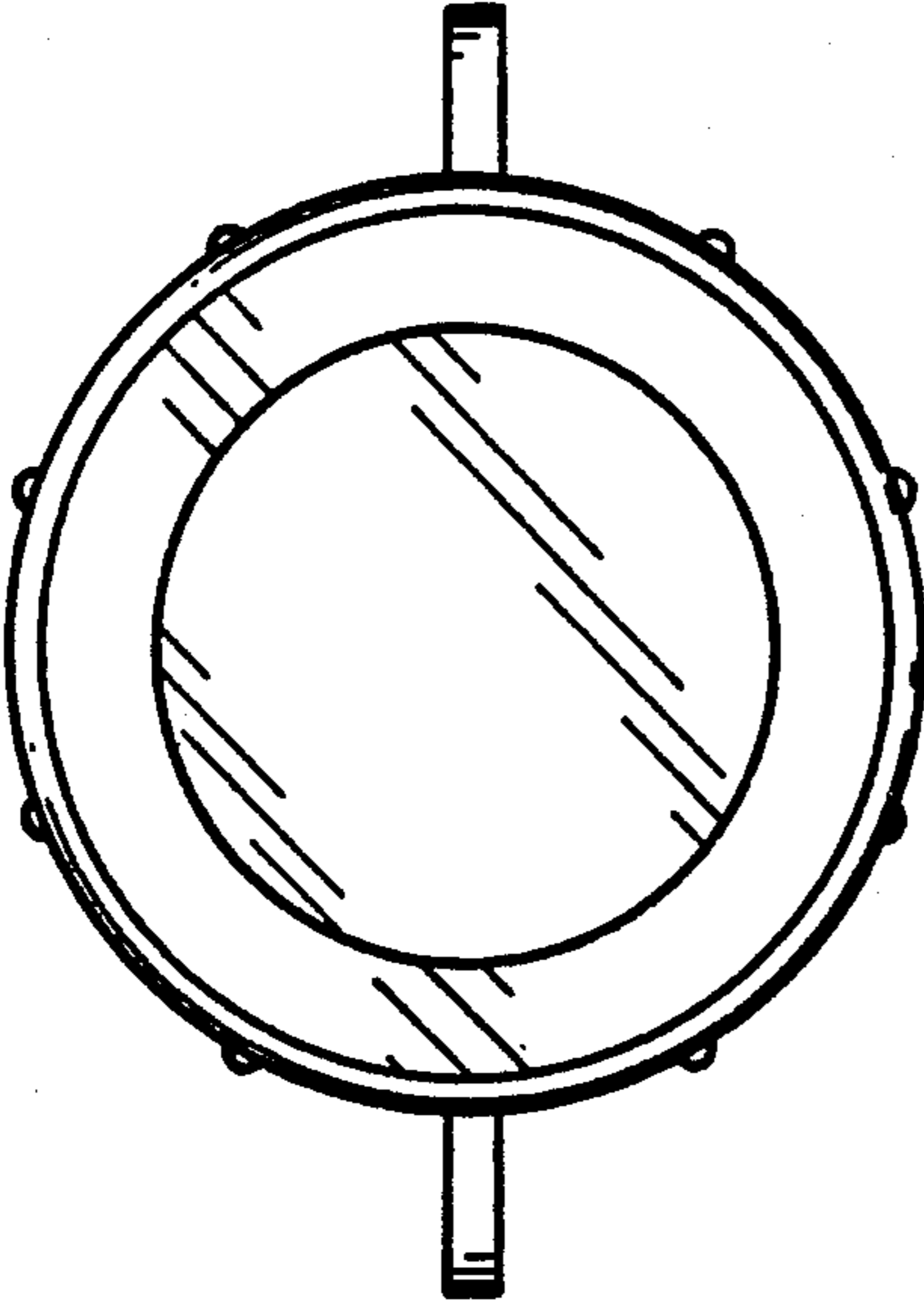


FIG. 2

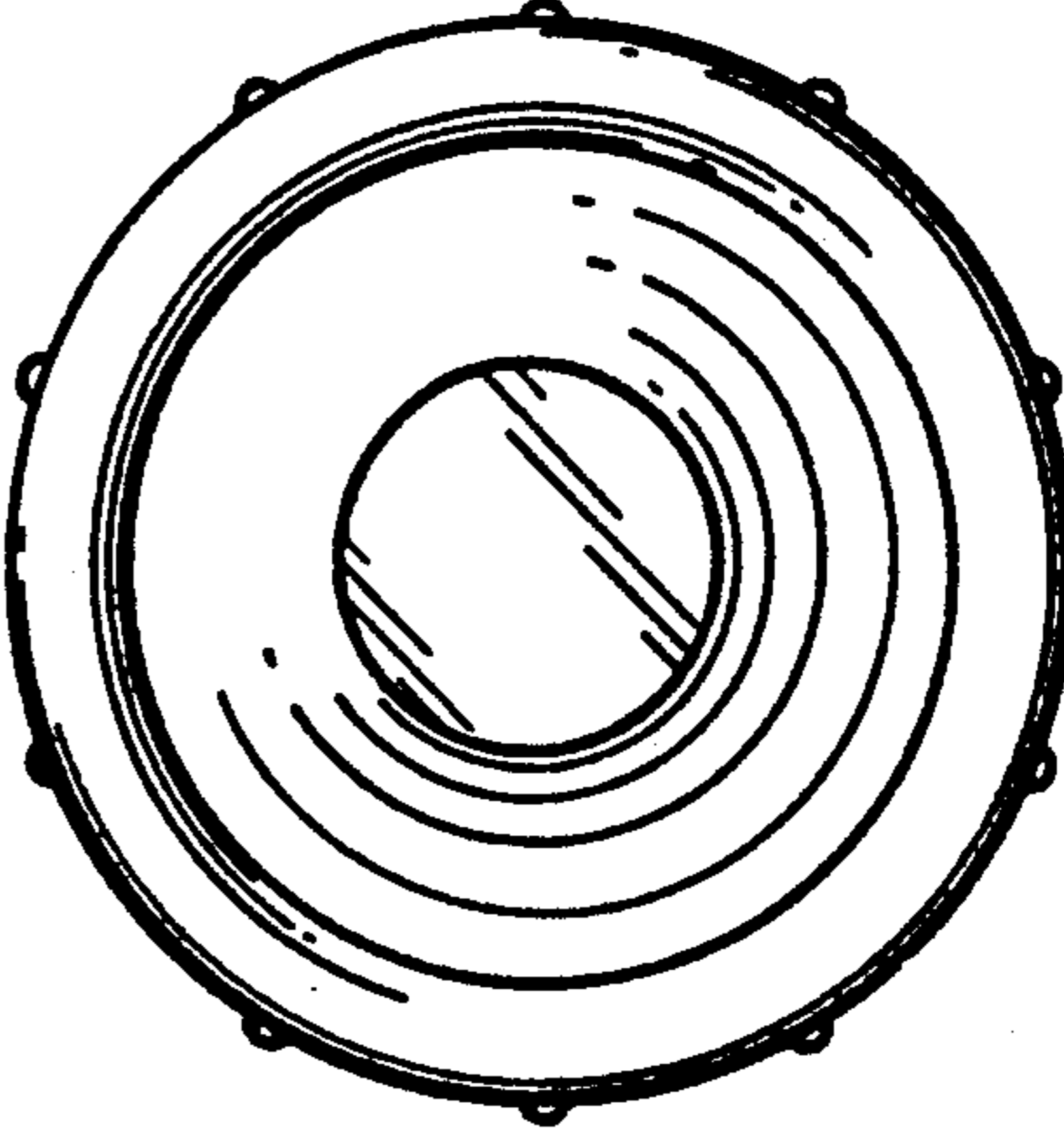


FIG. 3

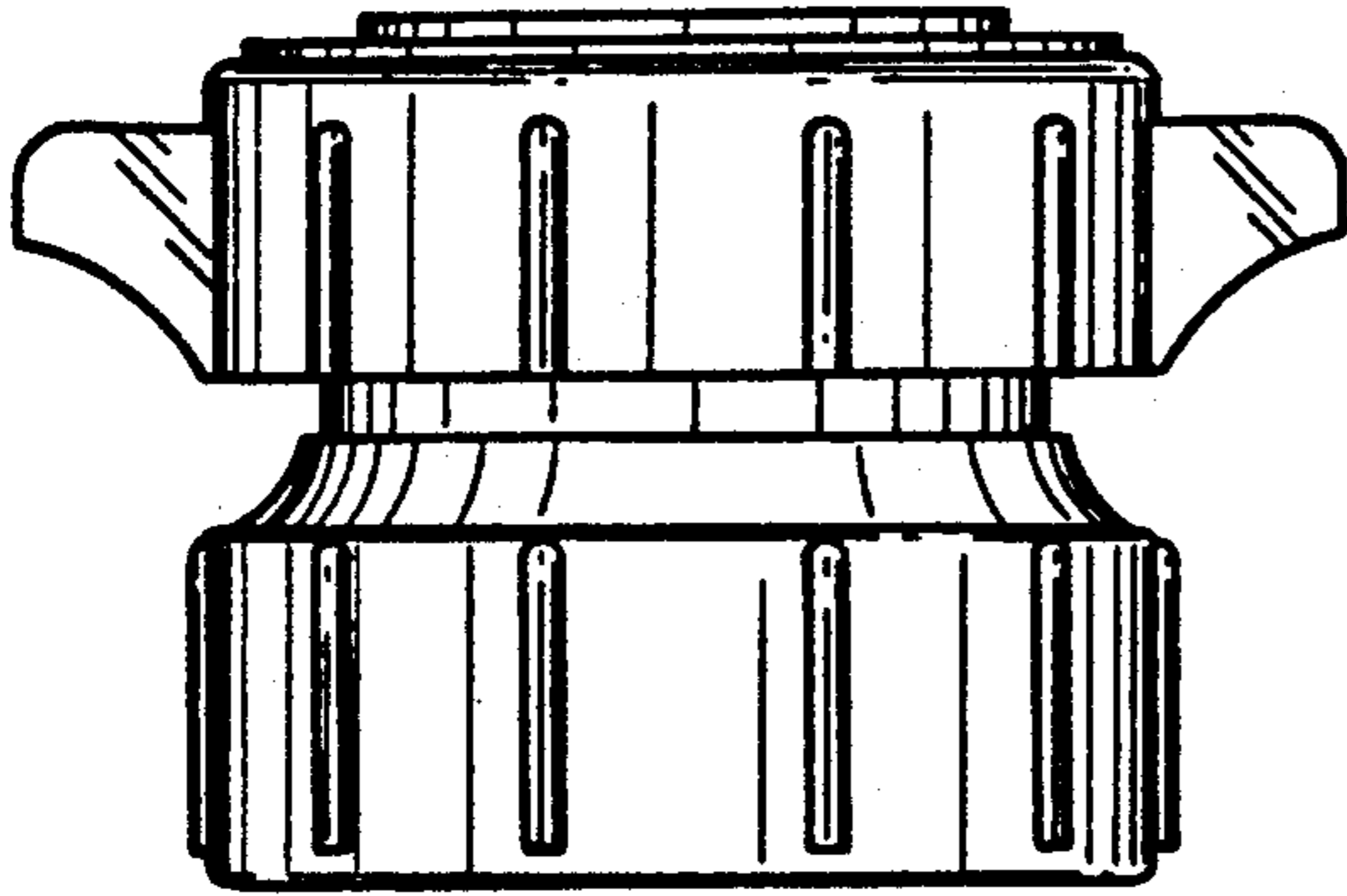


FIG. 4

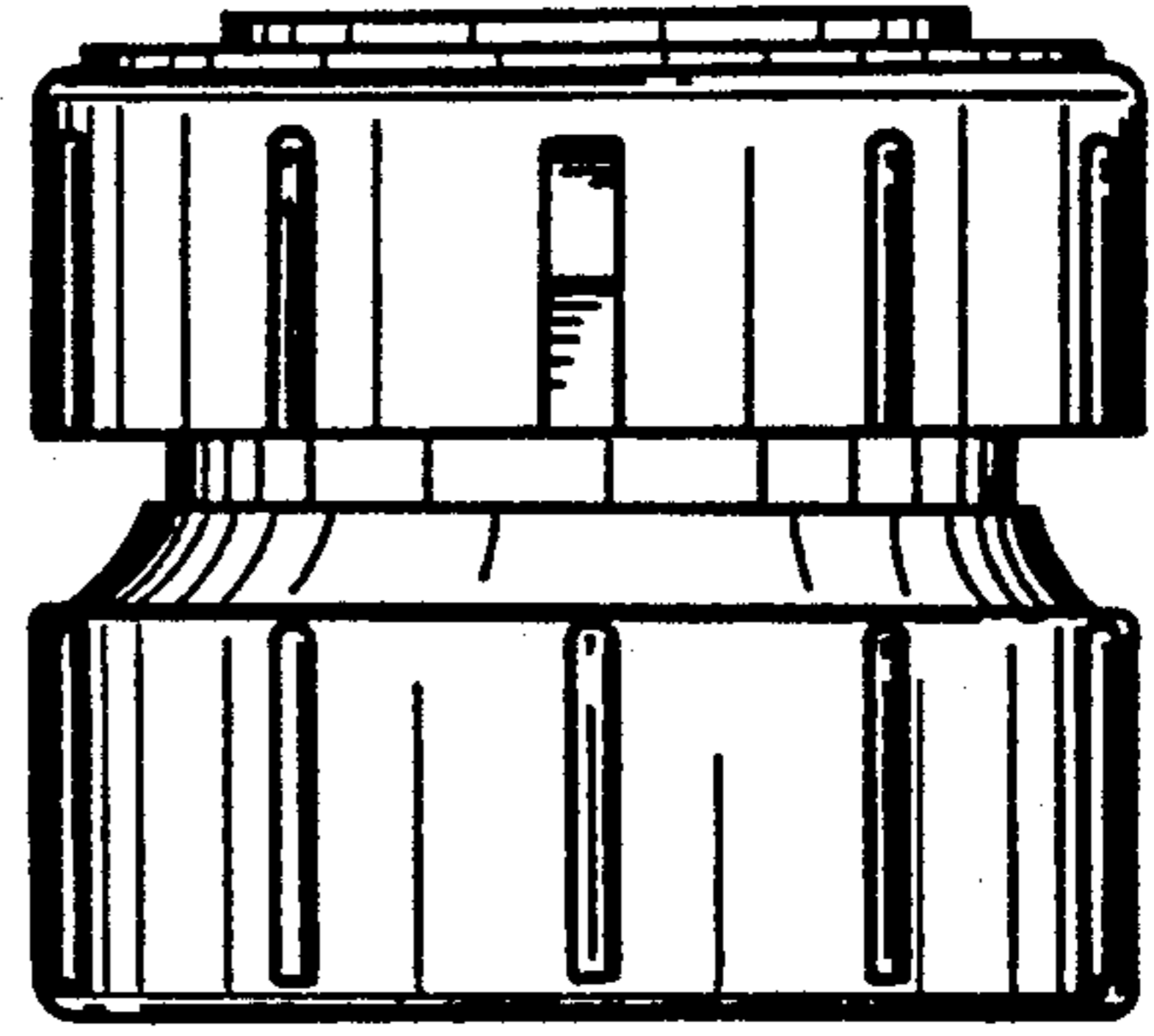


FIG. 5

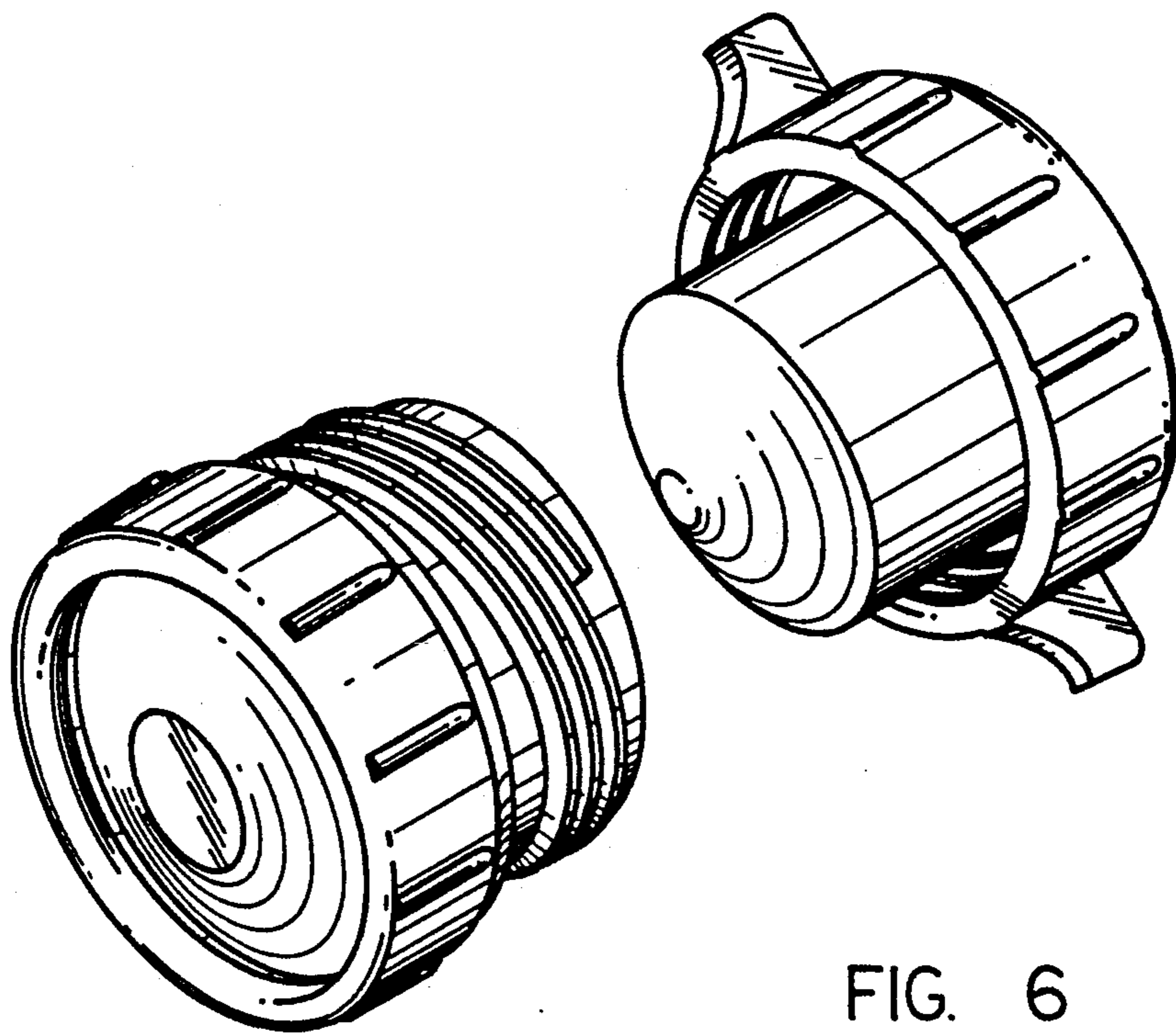


FIG. 6