



US00D337823S

# United States Patent [19]

Fox, Jr.

[11] Patent Number: **Des. 337,823**

[45] Date of Patent: **\*\* Jul. 27, 1993**

[54] **THORACIC PRESSURE MAINTENANCE AID**

[76] Inventor: **George N. Fox, Jr., P.O. Box 3113, Sunriver, Oreg. 97707**

[\*\*] Term: **14 Years**

[21] Appl. No.: **675,706**

[22] Filed: **Mar. 27, 1991**

[52] U.S. Cl. .... **D24/186; D24/107**

[58] Field of Search ..... **D24/111, 117, 108, 107, D24/186; 604/317, 318, 319, 320, 321, 322, 323**

[56] **References Cited**

**U.S. PATENT DOCUMENTS**

3,559,639	8/1971	Spotz .	
3,881,687	5/1968	Andersen .	
4,396,386	8/1983	Kurtz et al. ....	604/318
4,675,010	6/1987	Siposs et al. ....	604/319
4,718,895	1/1988	Kurtz .	
4,747,843	5/1988	Felix et al. ....	604/318
4,828,552	5/1989	Malette ....	604/319

**FOREIGN PATENT DOCUMENTS**

1185880 7/1965 Fed. Rep. of Germany .  
515188 2/1971 Fed. Rep. of Germany .

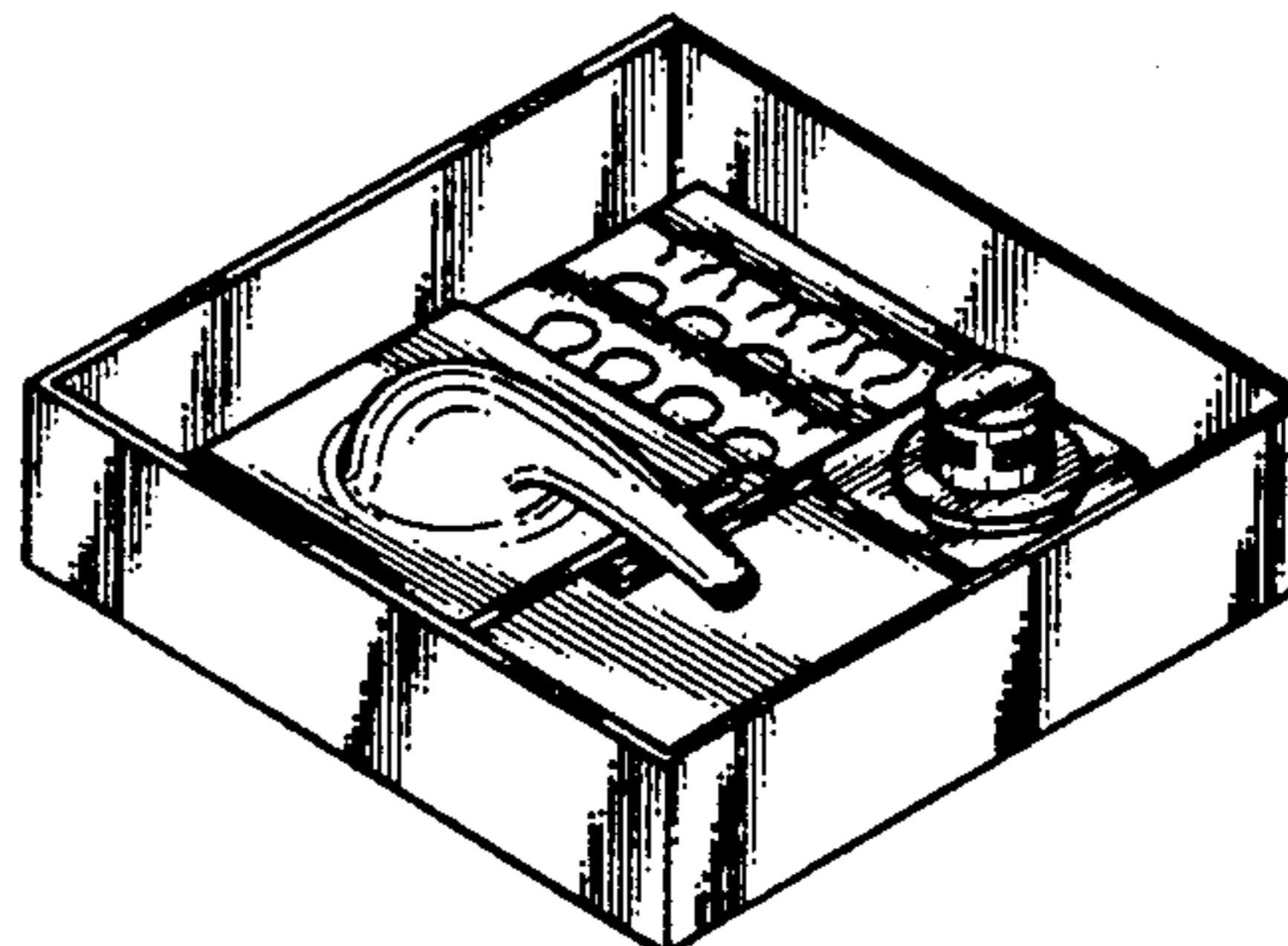
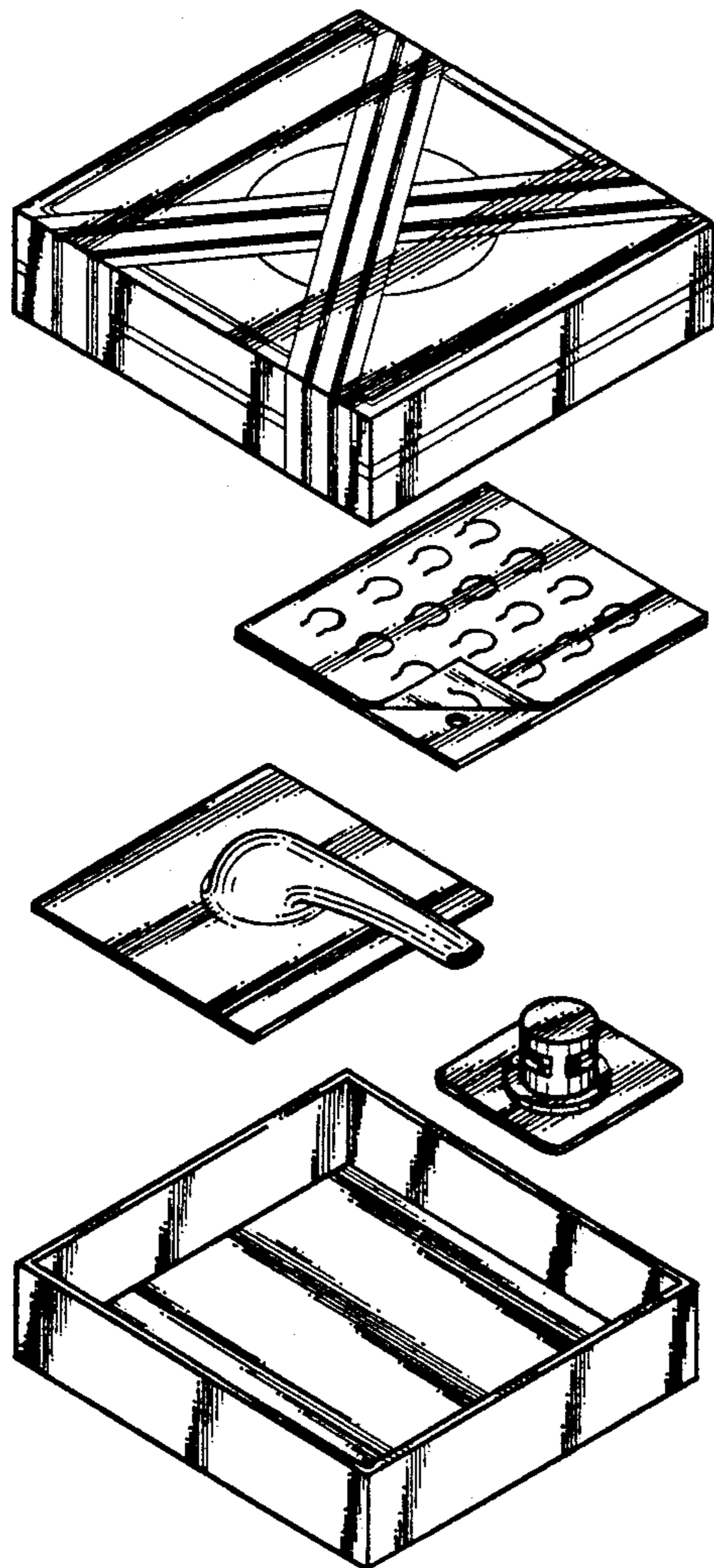
*Primary Examiner*—Stella Reid  
*Attorney, Agent, or Firm*—Terry M. Gernstein

[57] **CLAIM**

The ornamental design for a thoracic pressure maintenance aid, as shown and described.

**DESCRIPTION**

FIG. 1 is an exploded perspective view of the thoracic pressure maintenance aid embodying the design of the present invention;  
FIG. 2 is a front elevational view thereof, the rear being a mirror image of the front shown in FIG. 2;  
FIG. 3 is a side elevational view thereof, the side opposite being a mirror image of the side shown in FIG. 3;  
FIG. 4 is a top plan view thereof;  
FIG. 5 is a bottom view thereof; and,  
FIG. 6 is an assembled, open top perspective view thereof.



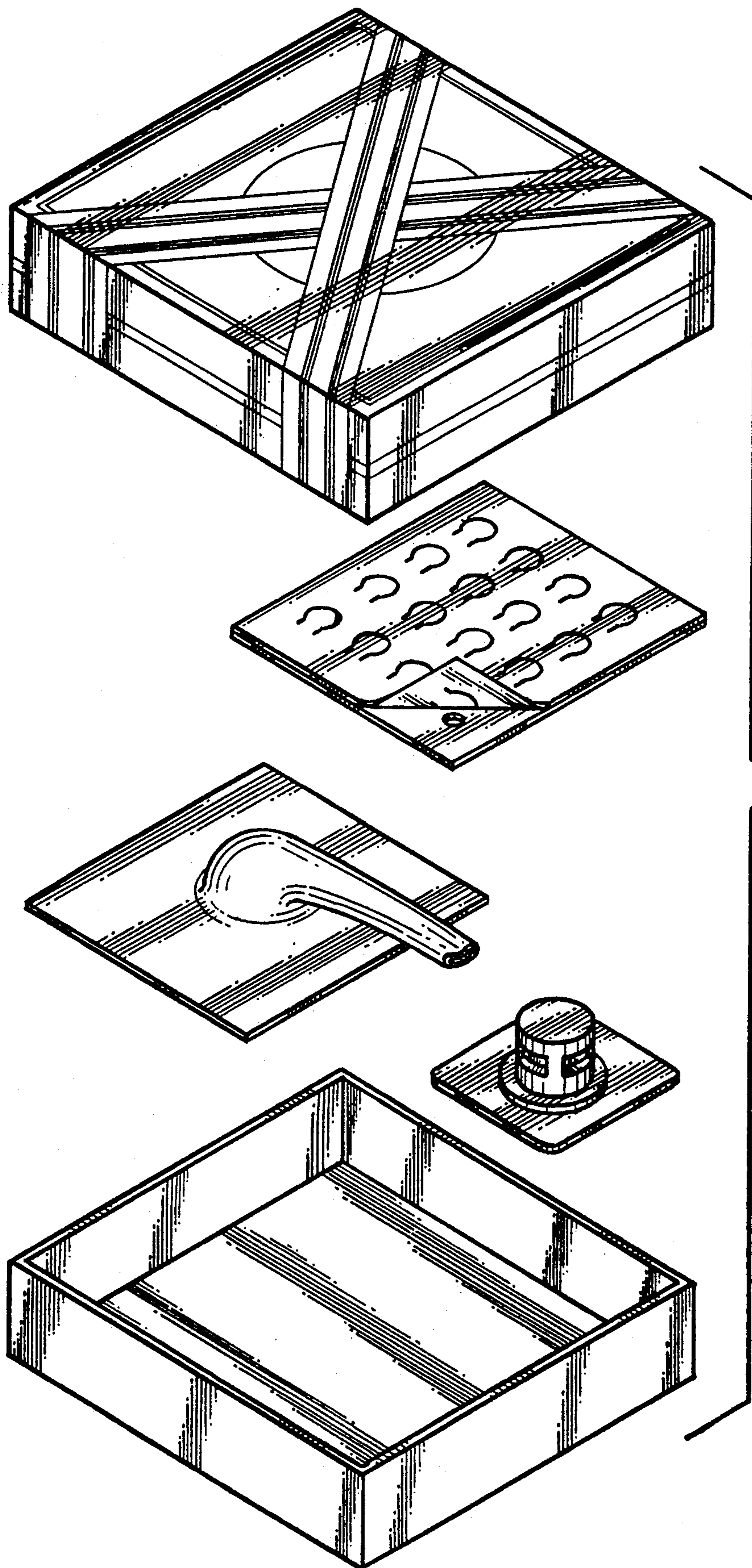


FIG. 1

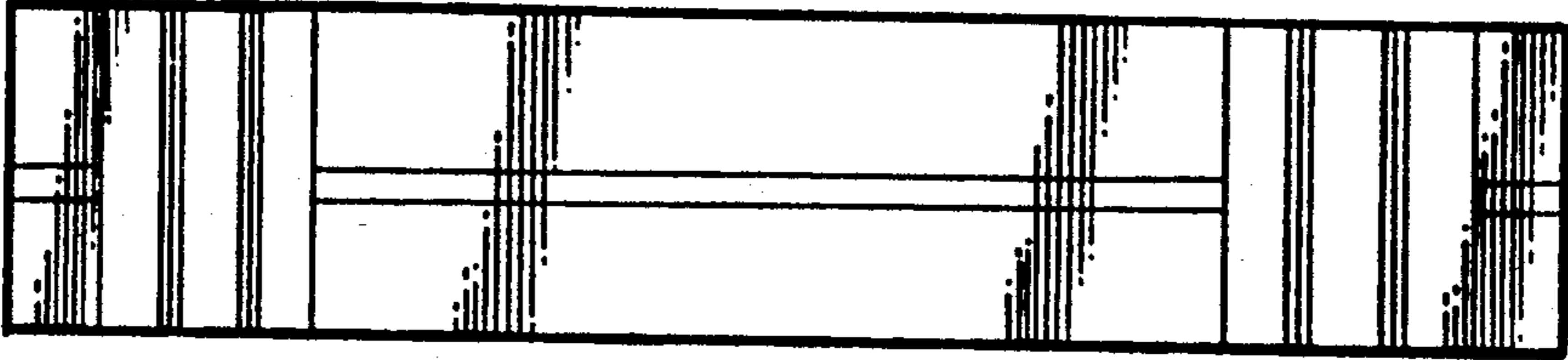


FIG. 2

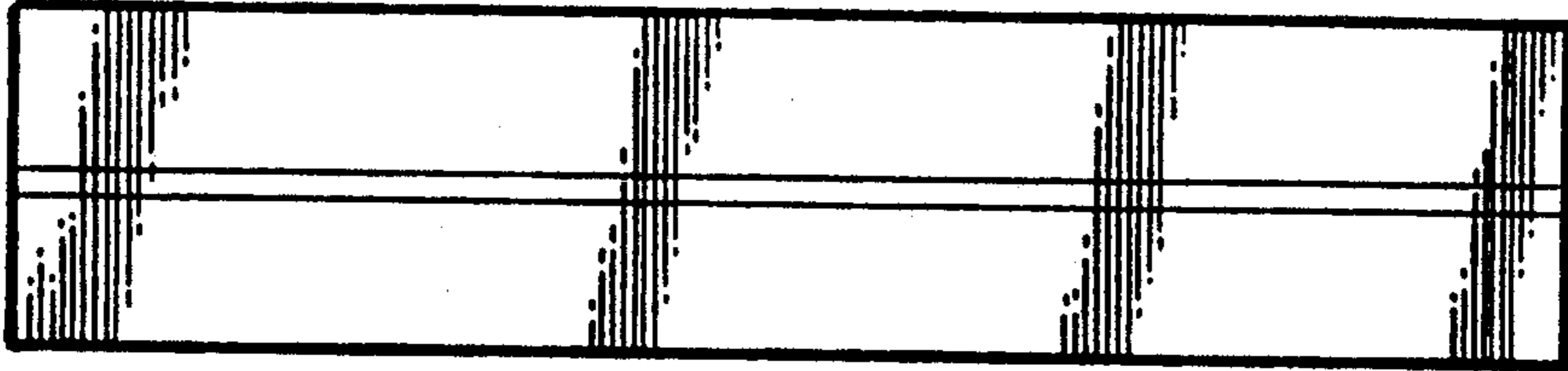


FIG. 3

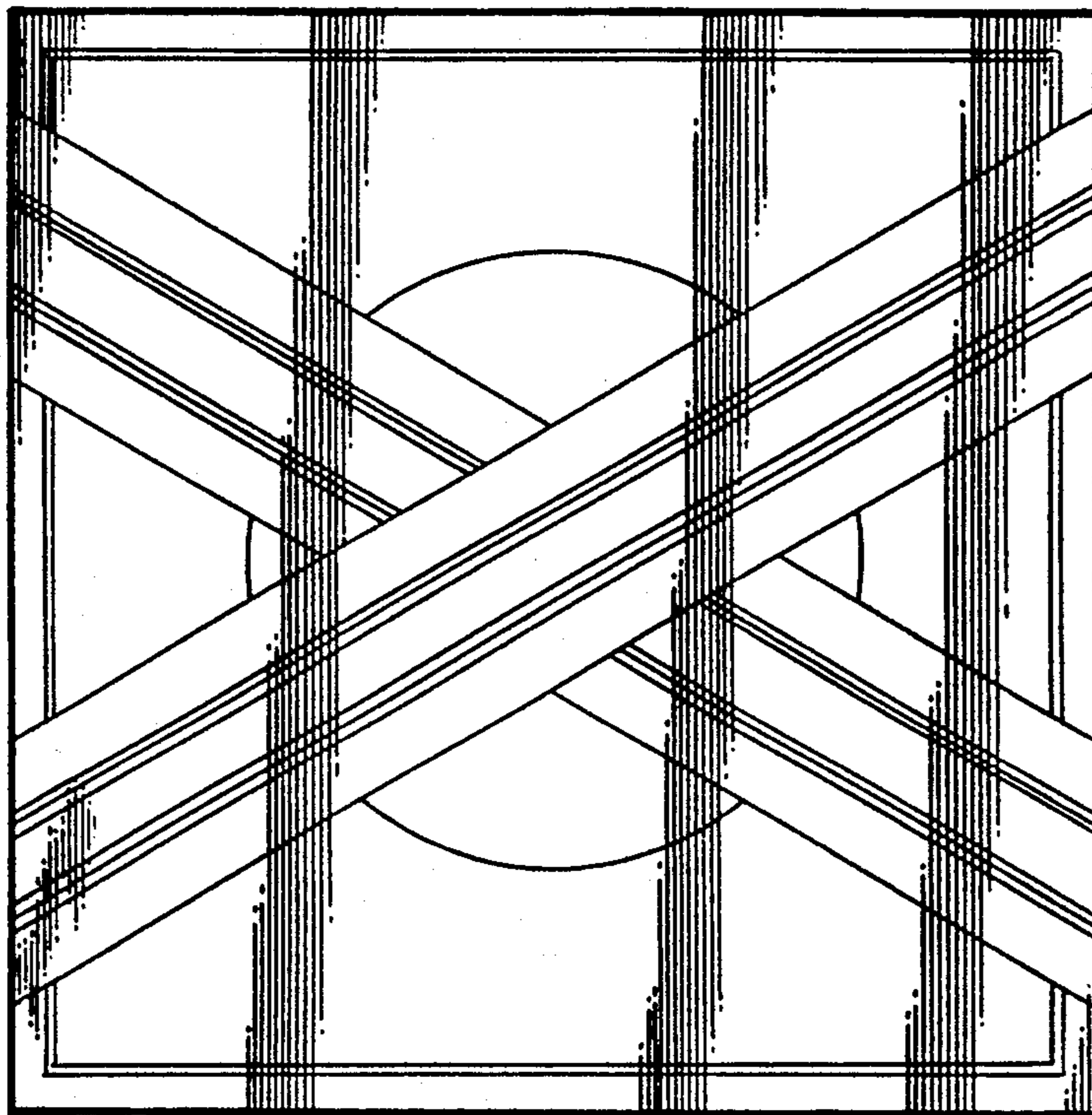


FIG. 4

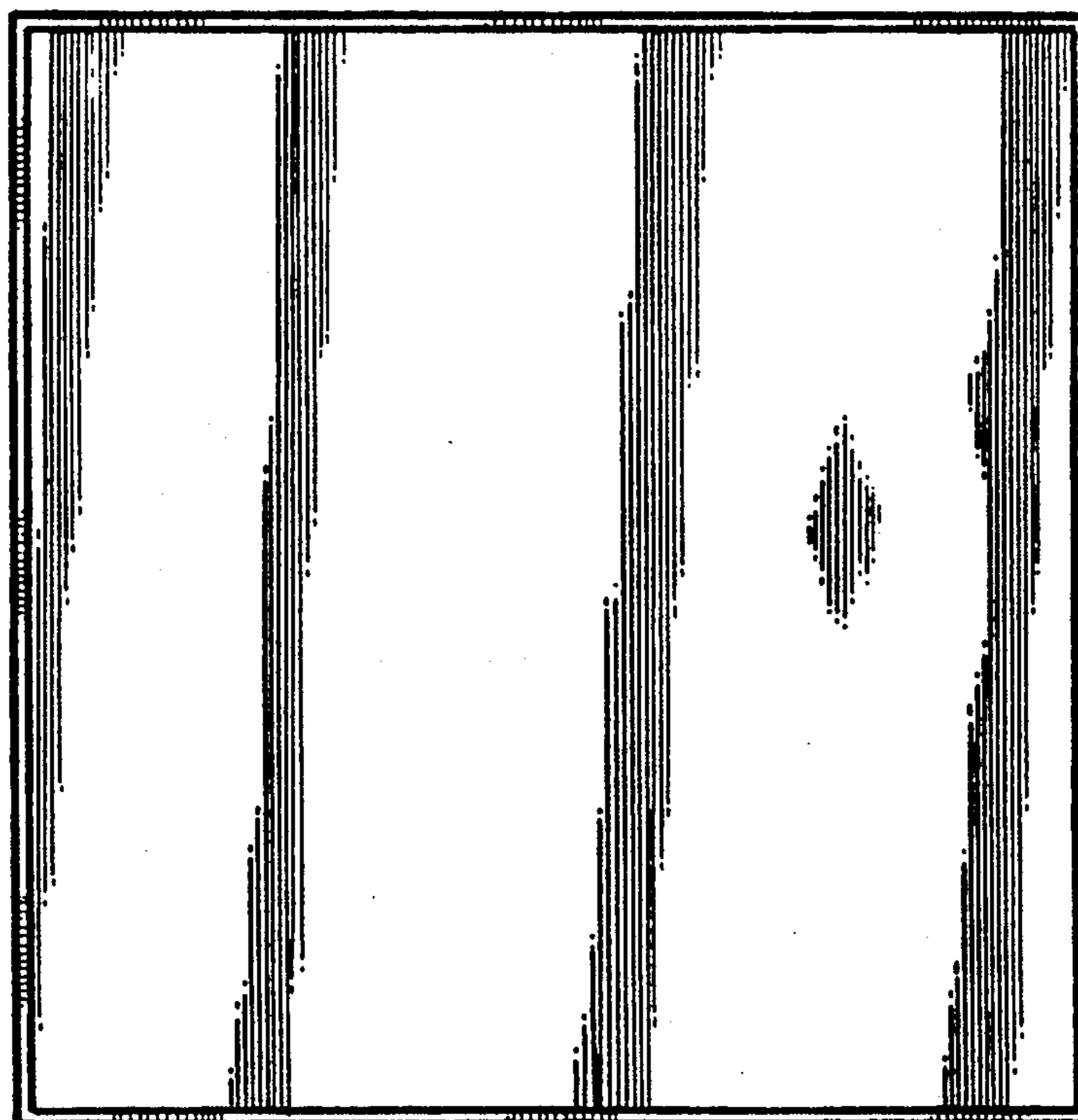


FIG. 5

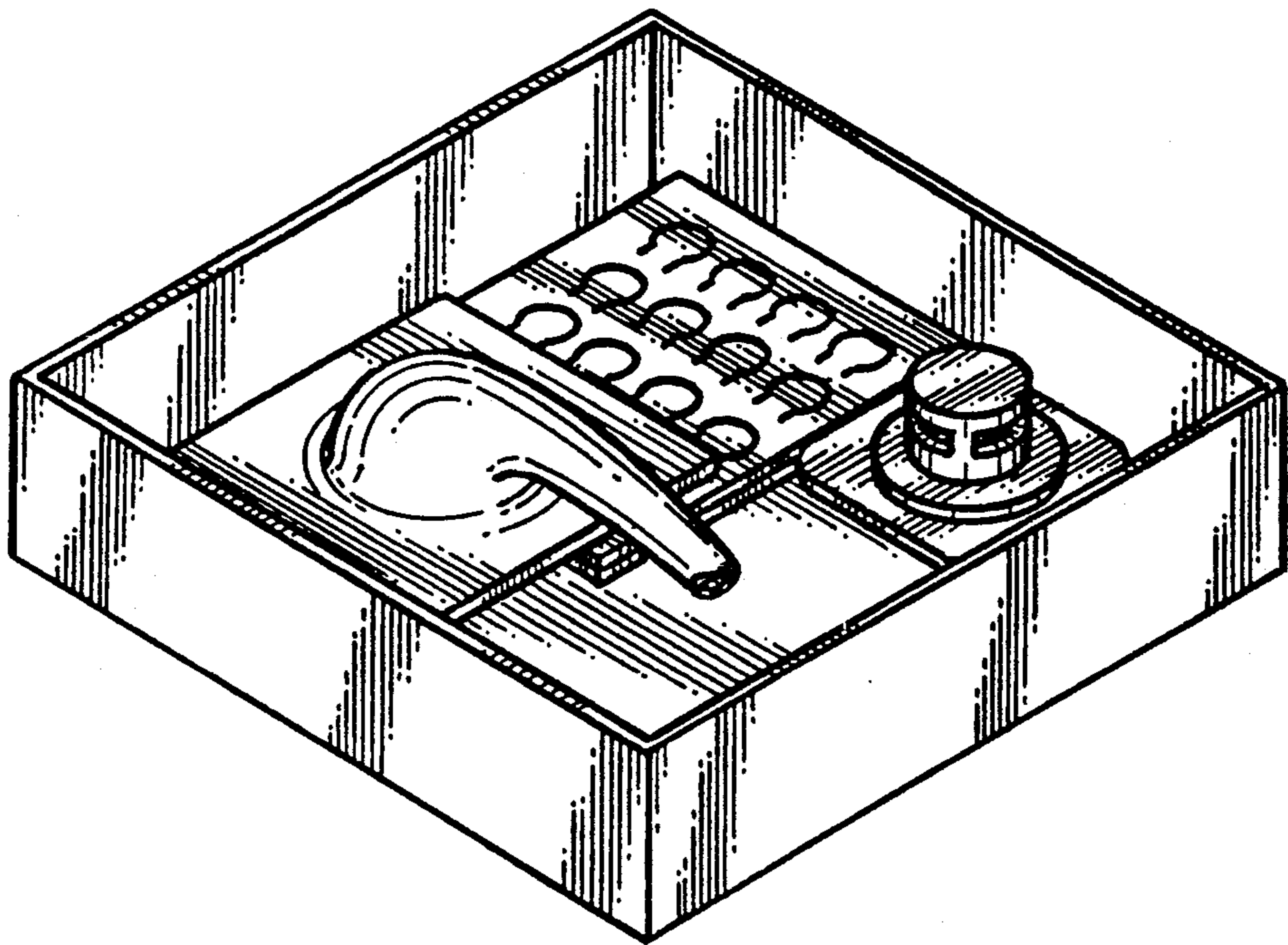


FIG. 6