



US00D337822S

United States Patent [19]

[11] Patent Number: **Des. 337,822**

Janke

[45] Date of Patent: **** Jul. 27, 1993**

[54] CARDIOGRAPH CART

[75] Inventor: **Garth E. Janke, Salem, Oreg.**

[73] Assignee: **Hewlett-Packard Company, Palo Alto, Calif.**

[**] Term: **14 Years**

[21] Appl. No.: **637,232**

[22] Filed: **Jan. 3, 1991**

[52] U.S. Cl. **D24/185**

[58] Field of Search **D24/185, 186, 167, 12; 312/209, 216, 218, 21, 22, 249, 250; 248/441.1, 445, 446, 459, 460**

[56] References Cited

U.S. PATENT DOCUMENTS

D. 257,140	9/1980	Groseclose	D24/185 X
D. 304,075	10/1989	Welch	D24/185
D. 319,308	8/1991	Royse et al.	D24/185
D. 332,855	1/1993	Royse et al.	D24/185 X
4,583,795	4/1986	Brown et al.	D24/185 X
4,790,610	12/1988	Welch et al.	D24/185 X

OTHER PUBLICATIONS

Siemens ECG cart, manufactured by Siemens-Elema AB, Solna, Sweden. No date available.

Burdick ECG cart, manufactured by Burdick (A Siemens Company). No date available.

MAC-15 "Cart" for Cardiograph manufactured by Marquette Electronics, Inc. No date available.

Primary Examiner—Stella Reid

[57] CLAIM

The ornamental design for a cardiograph cart, as shown.

DESCRIPTION

FIG. 1 is a perspective view of a cardiograph cart, showing my new design;

FIG. 2 is a right side view thereof;

FIG. 3 is a left side view thereof;

FIG. 4 is a front view thereof;

FIG. 5 is a rear view thereof;

FIG. 6 is a top plan view thereof; and,

FIG. 7 is a bottom plan view thereof.

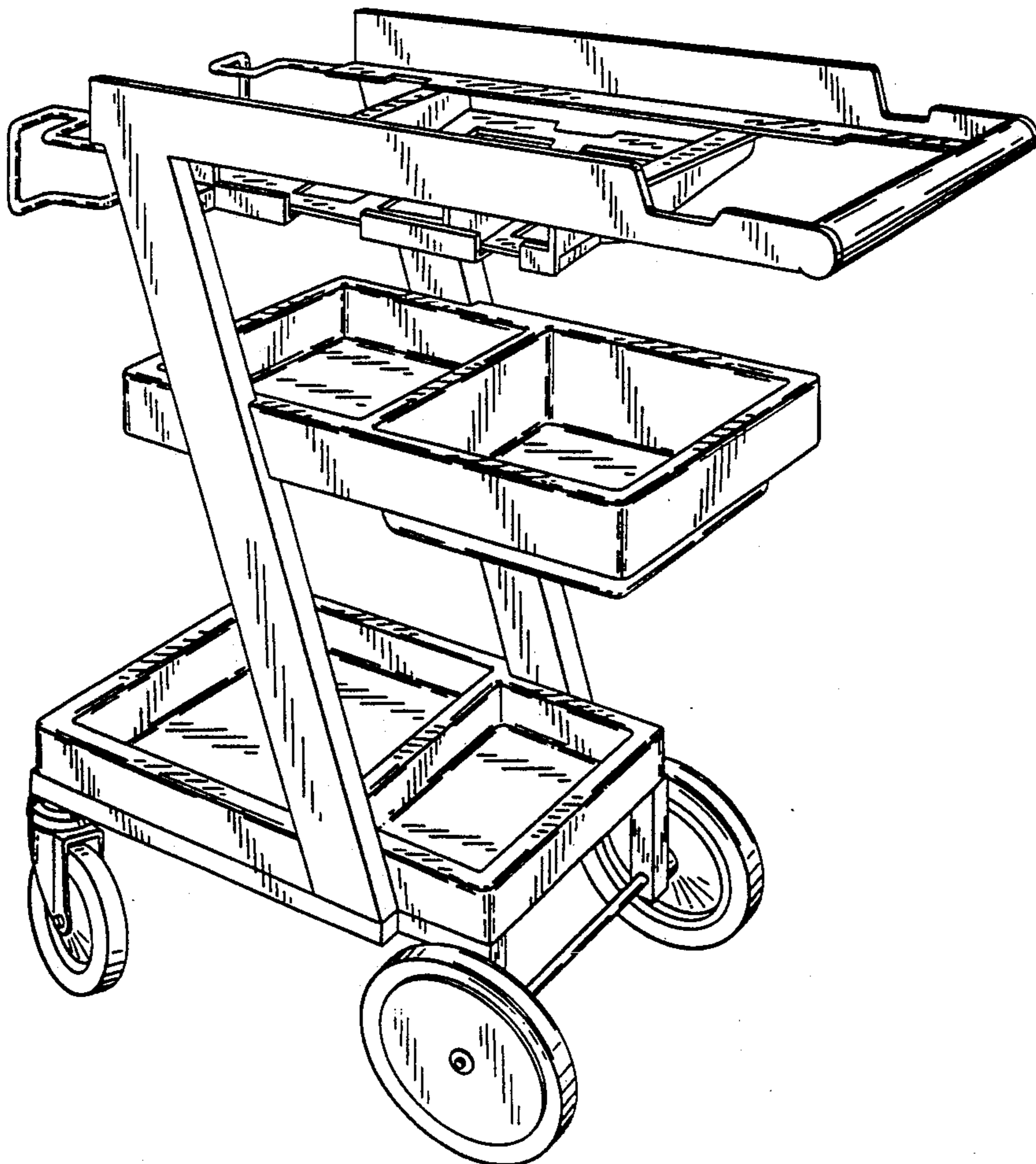


FIG. 1

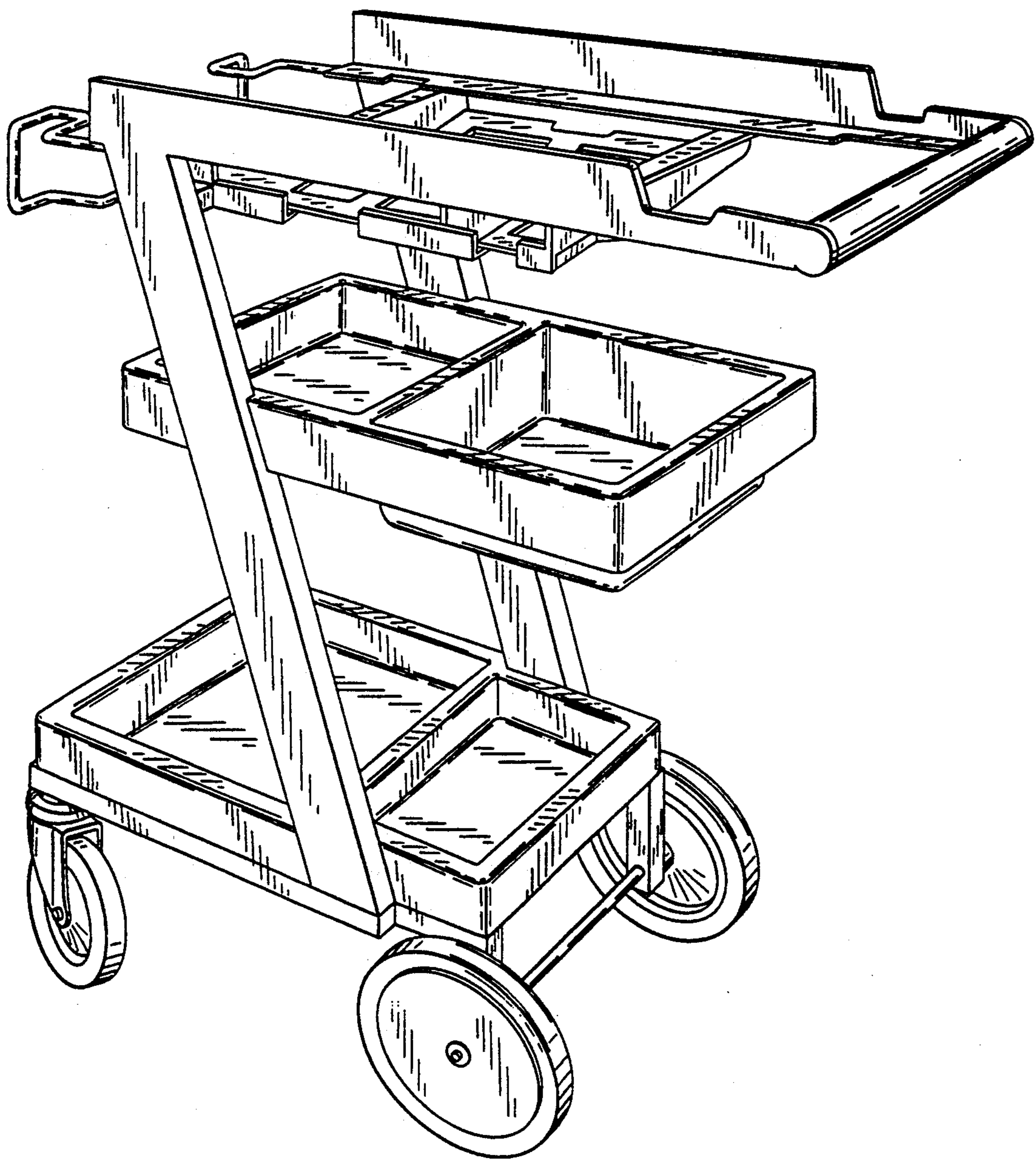


FIG. 2

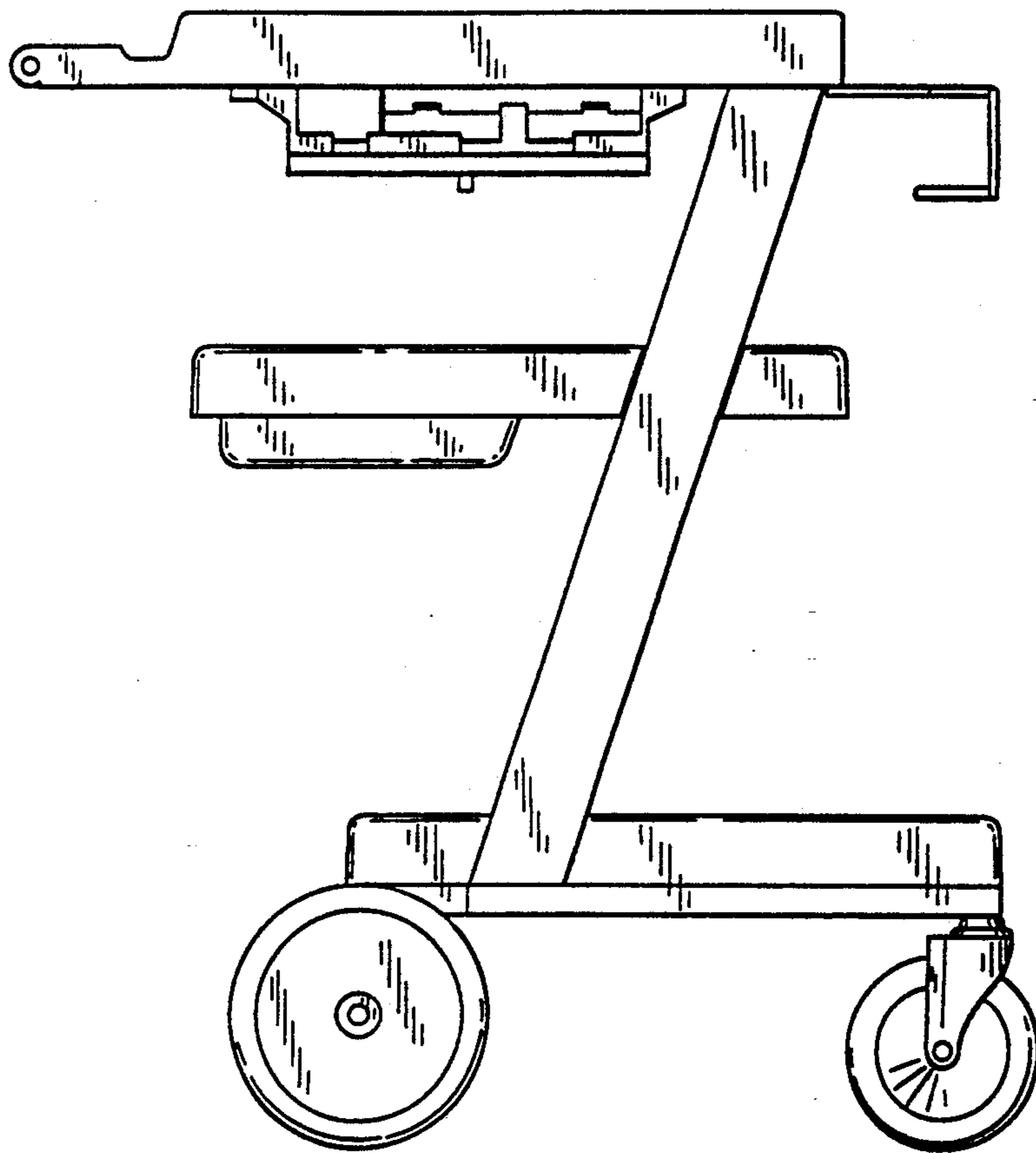


FIG. 3

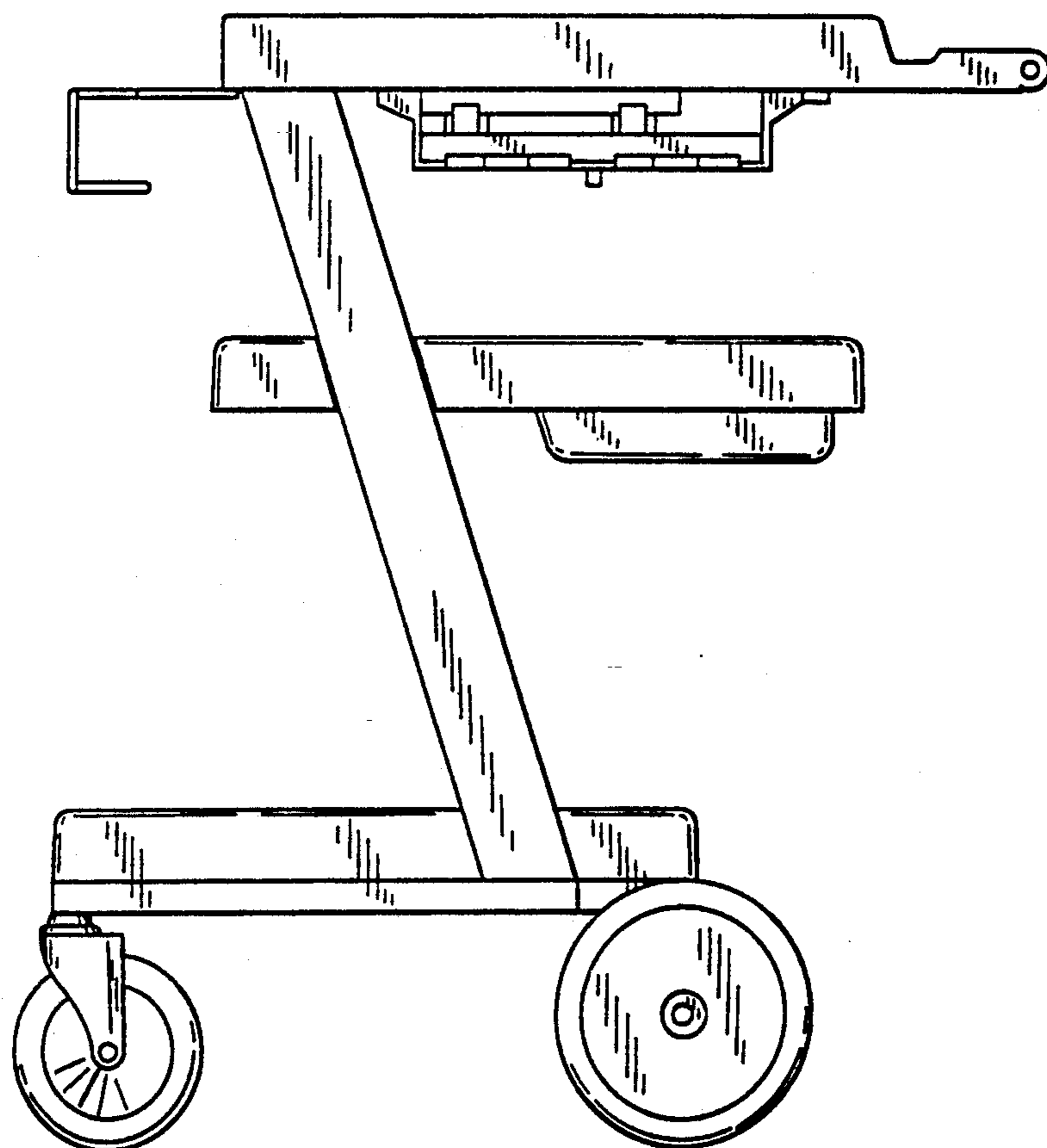


FIG. 4

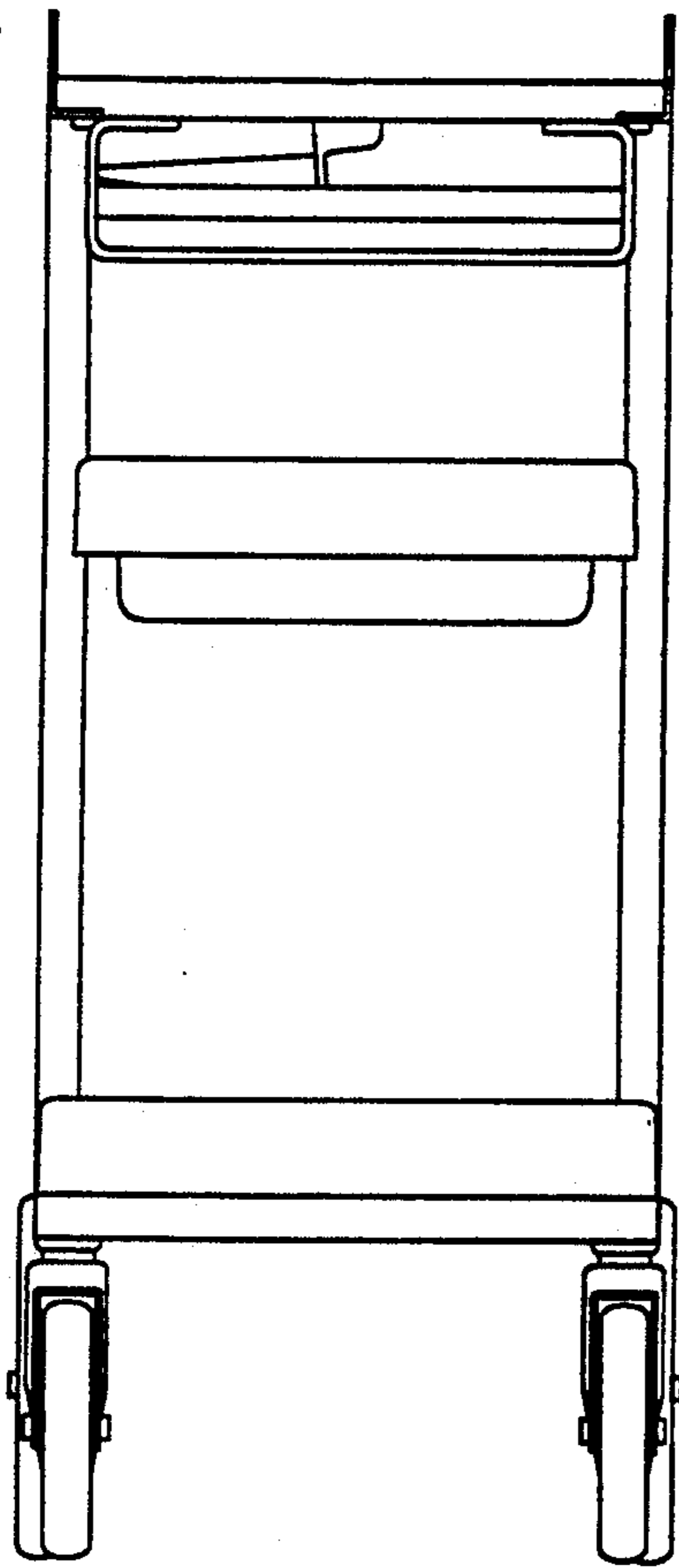


FIG. 5

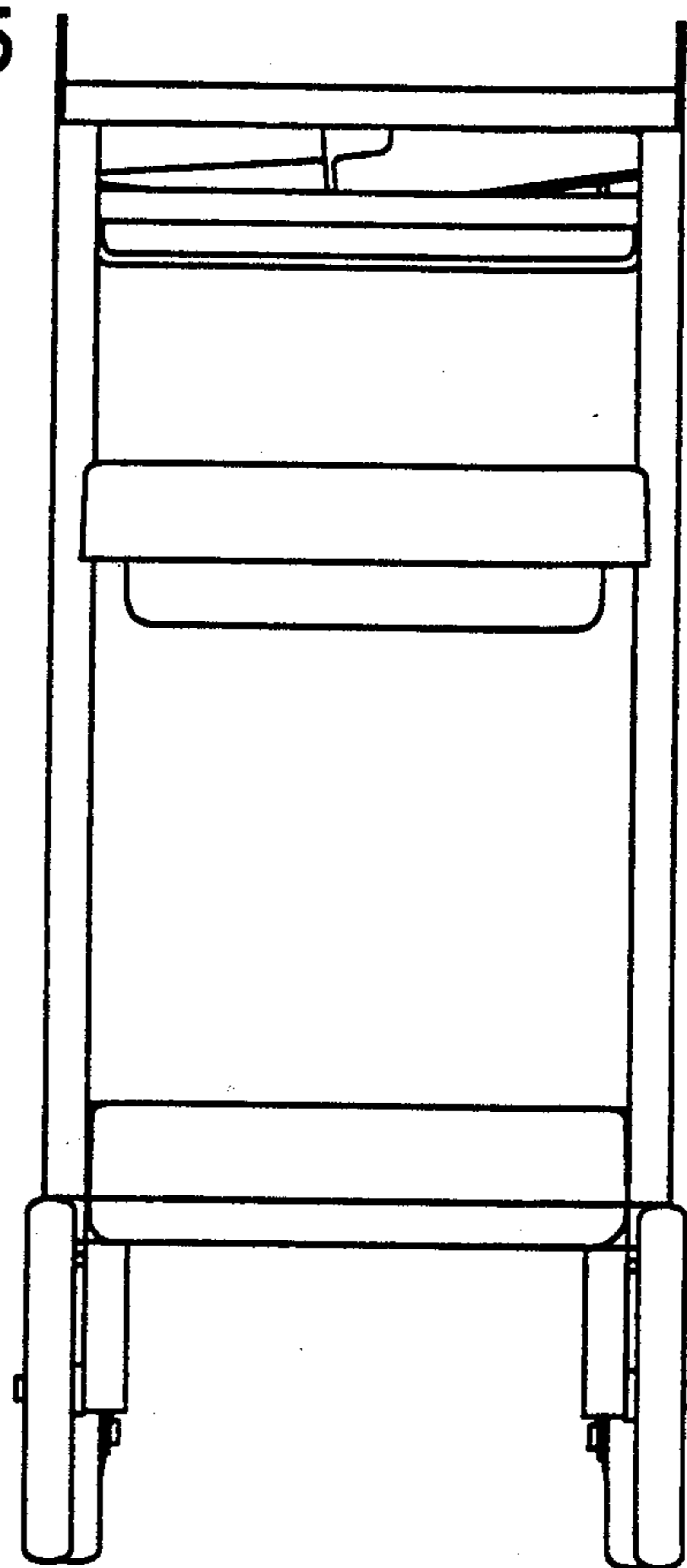


FIG. 6

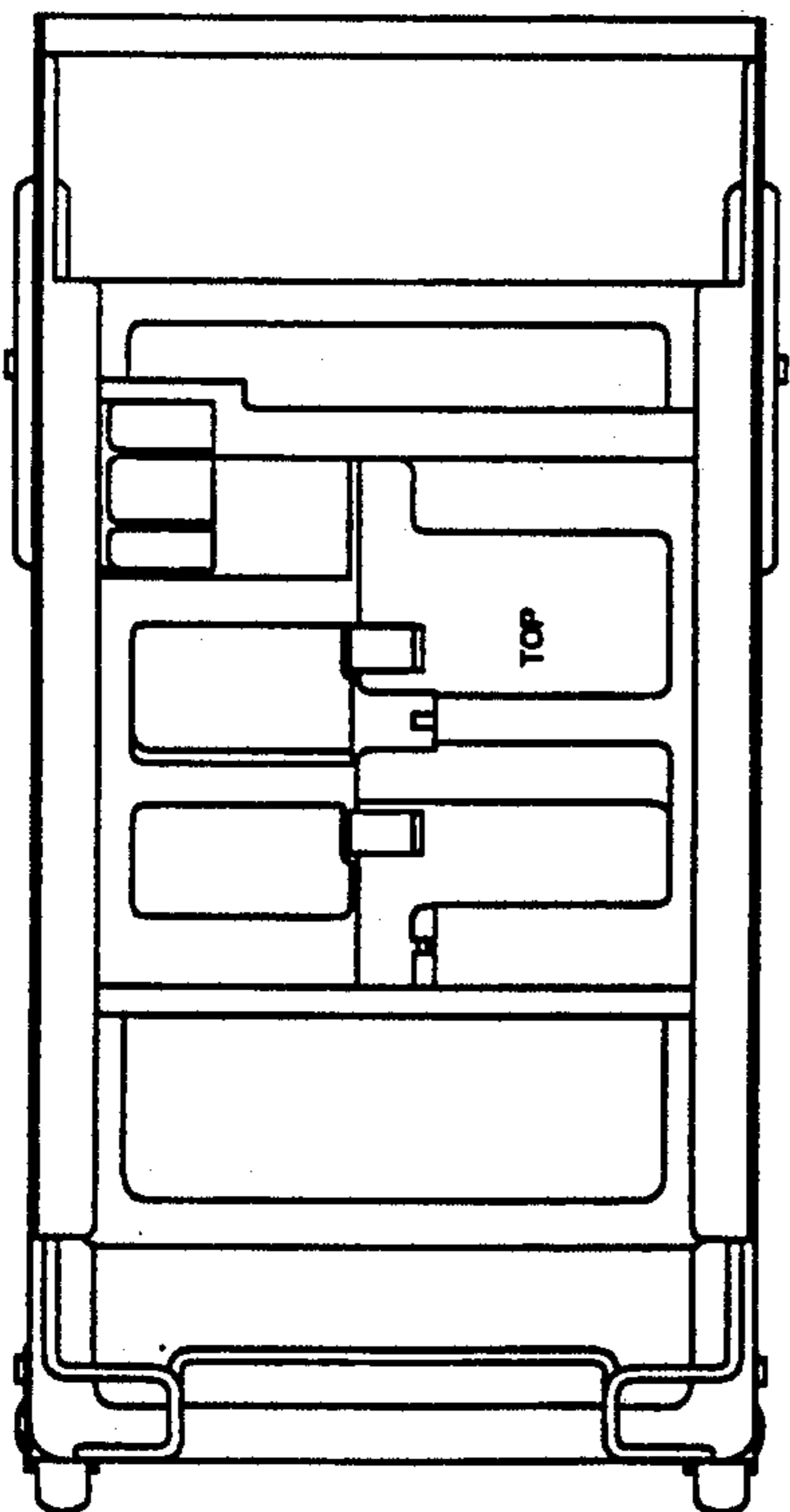


FIG. 7

