



US00D337821S

United States Patent [19]

[11] Patent Number: **Des. 337,821**

Tan

[45] Date of Patent: **** Jul. 27, 1993**

[54] FINE NEEDLE ASPIRATION BIOPSY GUN

[76] Inventor: **Henry K. Tan**, 3 E. Roseland Dr., La Jolla, Calif. 92037

[**] Term: **14 Years**

[21] Appl. No.: **745,093**

[22] Filed: **Aug. 12, 1991**

[52] U.S. Cl. **D24/146; D24/130; D24/147**

[58] Field of Search **D24/112, 130, 146, 147; 128/753, 752, 754, 741, 758, 763, 765; 604/187, 227, 228, 232, 234; 606/167, 170**

4,357,971	11/1982	Friedman .	
4,594,073	6/1986	Stine .	
4,968,303	11/1990	Clarke et al.	604/187
5,078,690	1/1992	Ryan	604/187
5,081,999	1/1992	Hemstreet et al.	128/753 X
5,115,816	5/1992	Lee	128/749

Primary Examiner—A. Hugo Word
Assistant Examiner—Ian Simmons
Attorney, Agent, or Firm—Brown, Martin, Haller & McClain

[57] CLAIM

The ornamental desing for a fine needle aspiration biopsy gun, as shown and described.

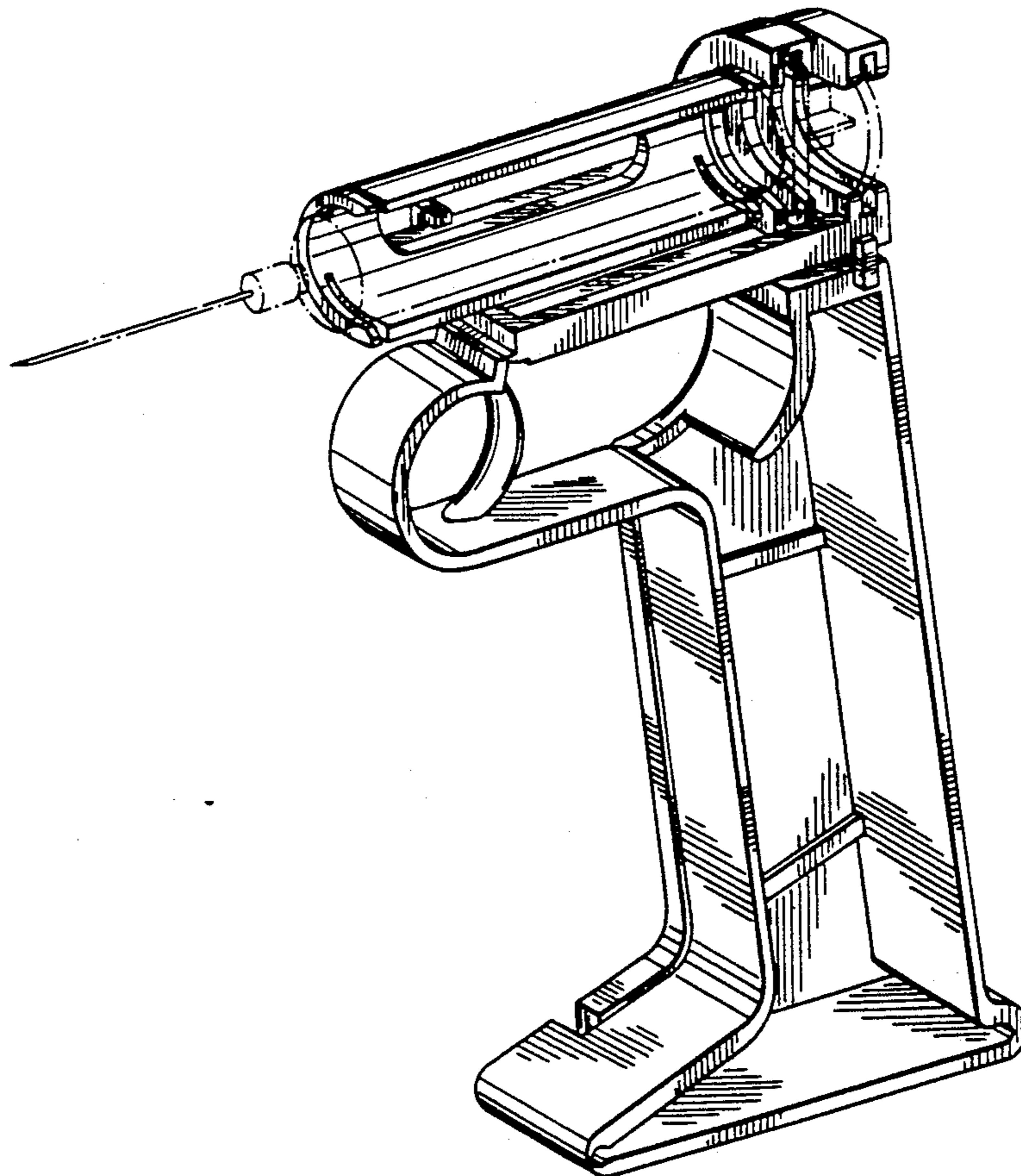
DESCRIPTION

FIG. 1 is a perspective view of a fine needle aspiration biopsy gun showing my new design; FIG. 2 is a side elevational view thereof; FIG. 3 is a front end view thereof; FIG. 4 is a rear end view thereof; FIG. 5 is a top plan view thereof; FIG. 6 is a bottom plan view thereof; and, FIG. 7 is a side elevational view thereof with the gun in a retracted position. The broken line showing of the hypodermic needle and syringe in FIG. 1 and 7 is for illustrative purposes only and forms no part of the claimed design.

[56] References Cited

U.S. PATENT DOCUMENTS

D. 249,808	10/1978	Bloom et al.	D24/130
D. 271,521	11/1983	Ryan et al.	D24/146
375,427	12/1887	Richards .	
2,892,457	6/1959	Sturtz .	
3,040,744	6/1962	Hoggard .	
3,606,085	9/1971	Spilman .	
3,819,091	6/1974	Hollender .	
4,022,207	5/1977	Citrin .	
4,204,539	5/1980	Van Brugge	128/200.14
4,231,368	11/1980	Becker .	
4,263,911	4/1981	McCormack et al. .	



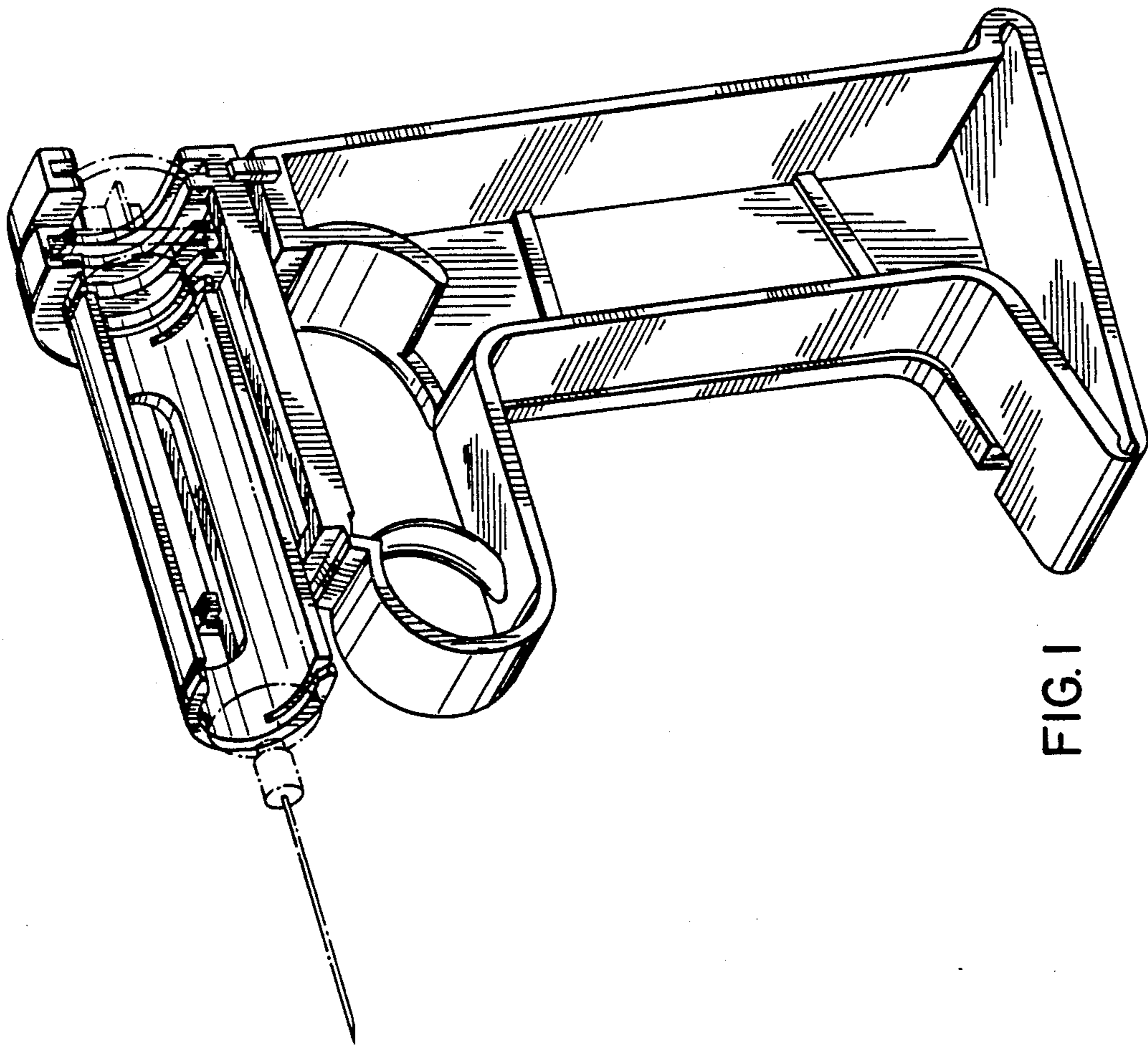


FIG. 1

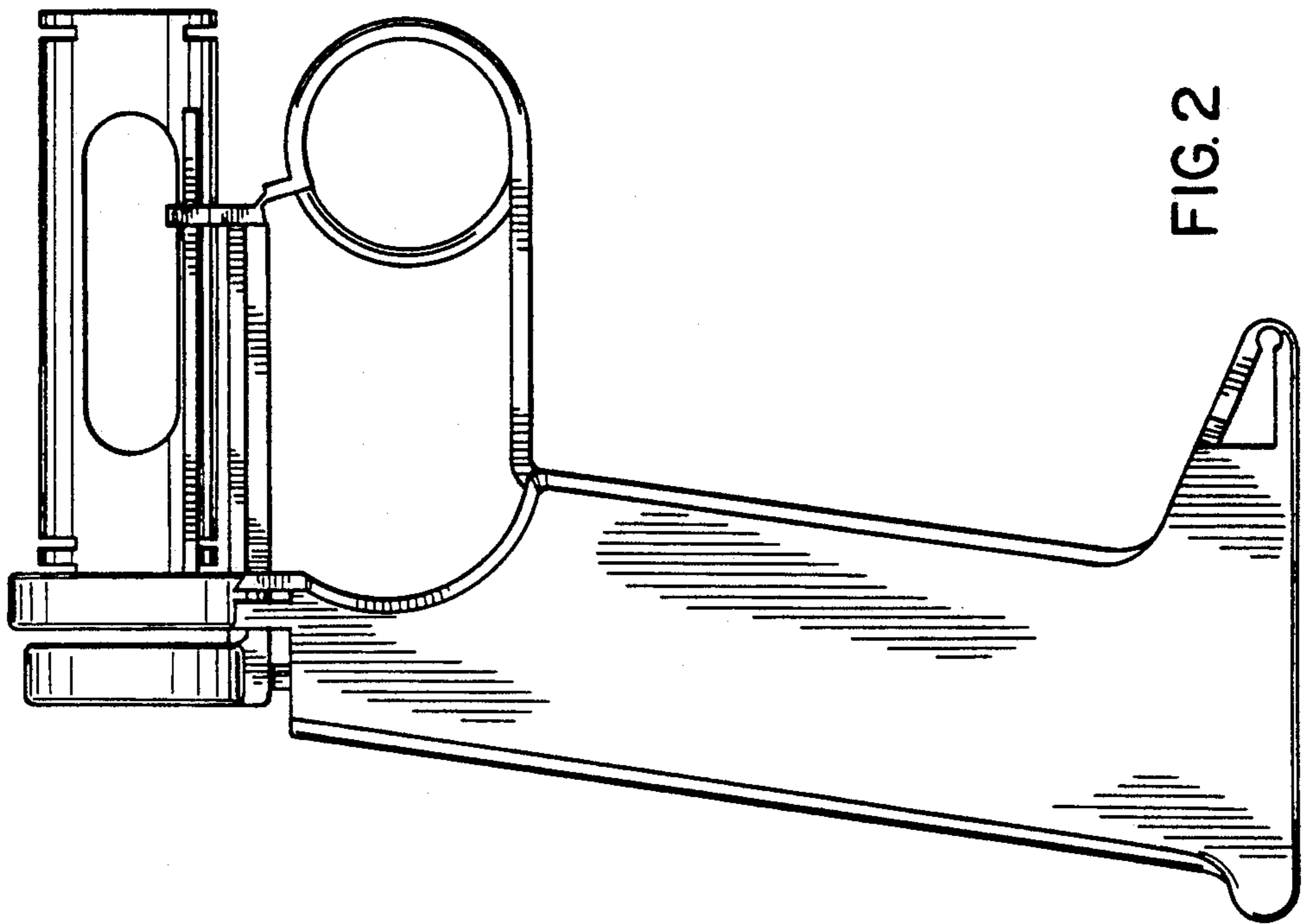


FIG. 2

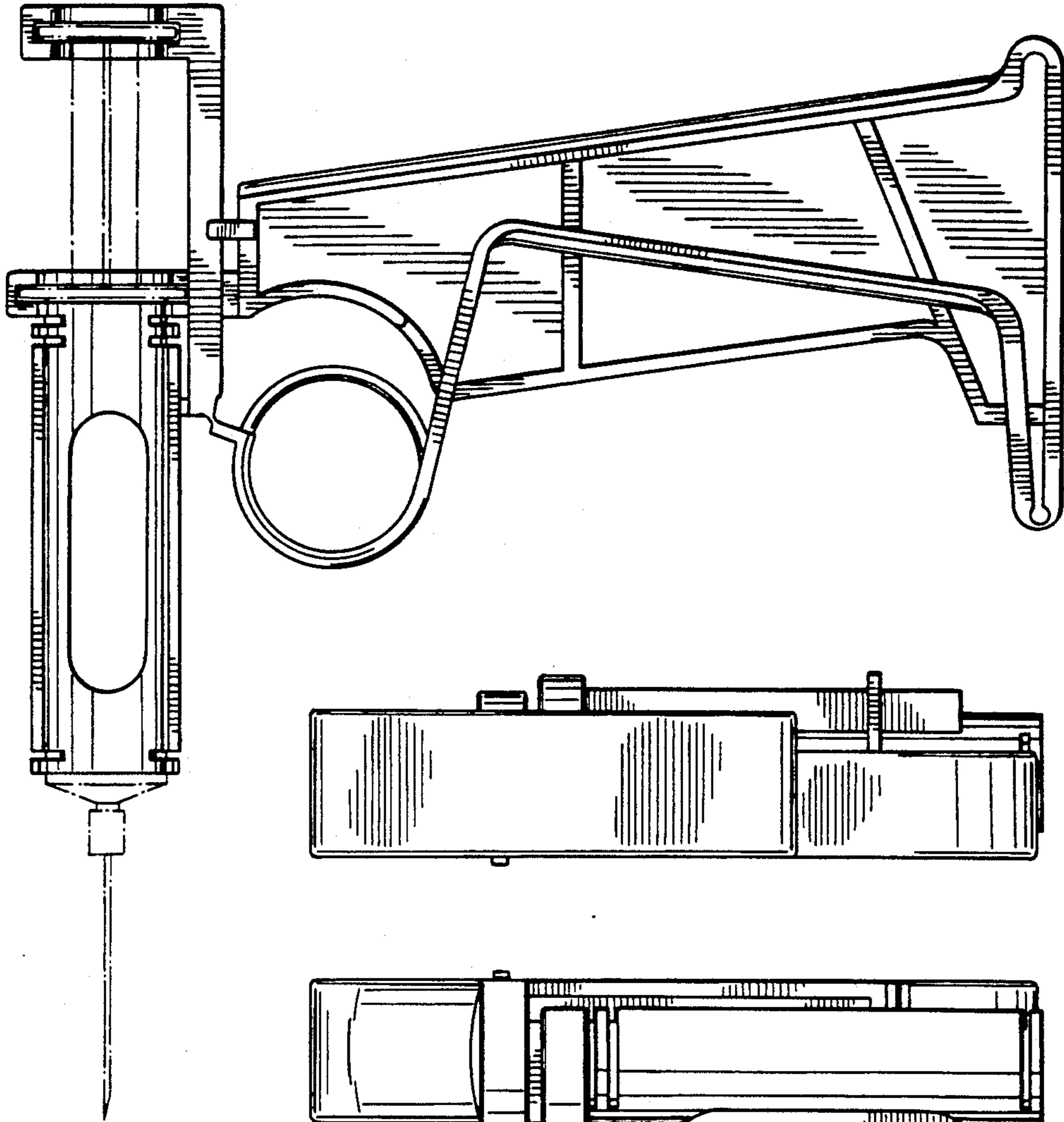


FIG. 7

FIG. 6

FIG. 5

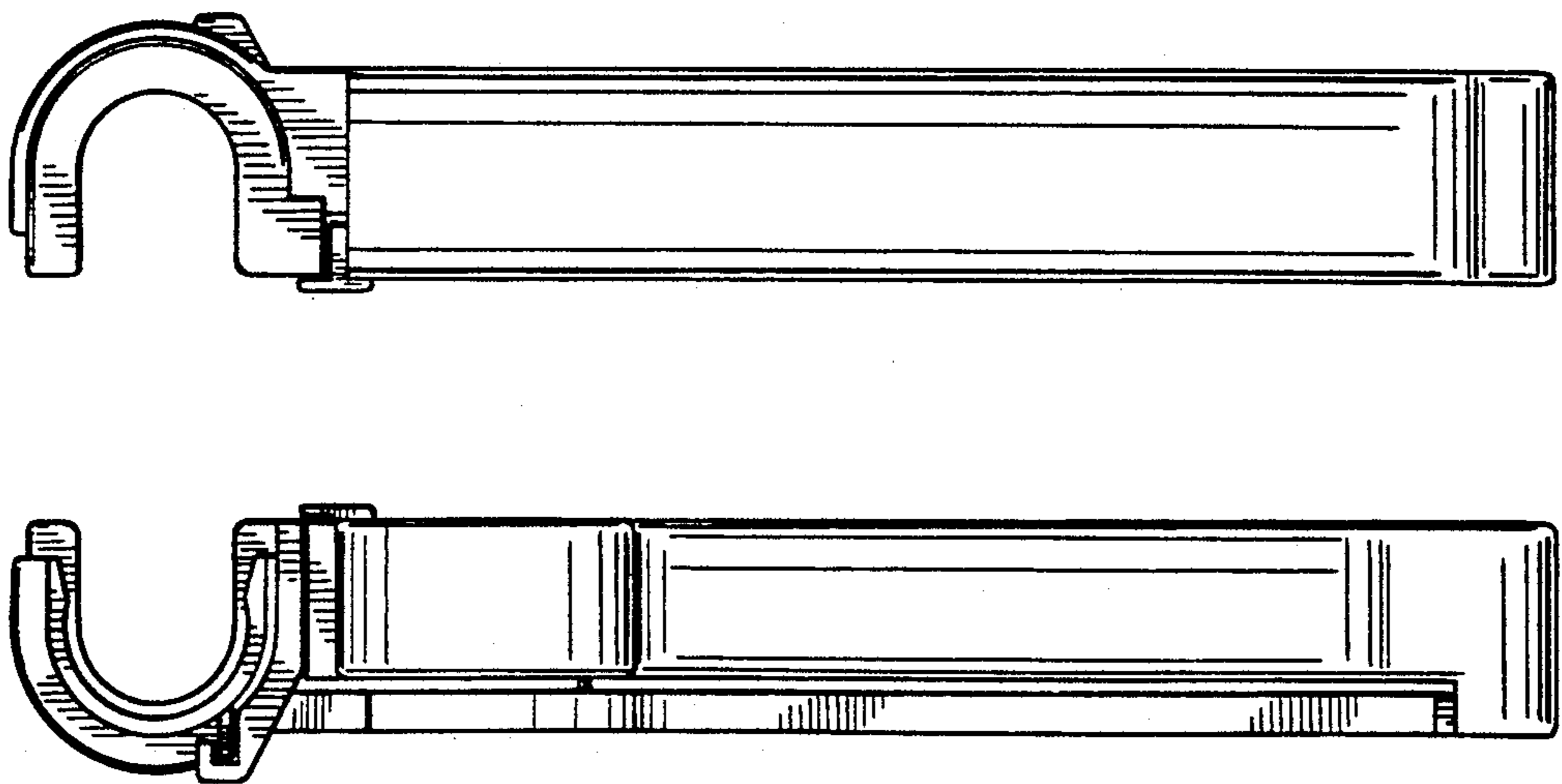


FIG. 4

FIG. 3