



US00D337818S

United States Patent [19]

Rutherford

[11] Patent Number: **Des. 337,818**

[45] Date of Patent: **** Jul. 27, 1993**

[54] **TOILET VENTILATOR**

[76] Inventor: **Talmadge Rutherford, Rte. 1, Box 1236, Clanton, Ala. 35045**

[**] Term: **14 Years**

[21] Appl. No.: **650,713**

[22] Filed: **Feb. 4, 1991**

[52] U.S. Cl. **D23/371; D23/393**

[58] Field of Search **D23/370, 371, 355, 366, D23/364, 393; 4/213, 347, 348**

4,200,940 5/1980 Buchanan 4/348
4,726,078 2/1988 Carbello et al. 4/213

Primary Examiner—Wallace R. Burke
Assistant Examiner—Lisa Lichtenstein
Attorney, Agent, or Firm—Veal & Associates

[57] **CLAIM**

The ornamental design for a toilet ventilator, as shown and described.

DESCRIPTION

FIG. 1 is a top and front perspective view of a toilet ventilator showing my new design; FIG. 2 is a bottom and rear perspective view thereof; FIG. 3 is a top plan view thereof; and, FIG. 4 is a perspective view thereof on a reduced scale, shown in use, the broken line showing of a toilet is for illustrative purposes only, and forms no part of the claimed design.

[56] **References Cited**

U.S. PATENT DOCUMENTS

D. 269,115	5/1983	Gomis	D23/371
3,069,696	12/1962	Howell	4/213
3,585,651	6/1971	Cox	4/213
3,733,619	5/1973	Smith	4/213

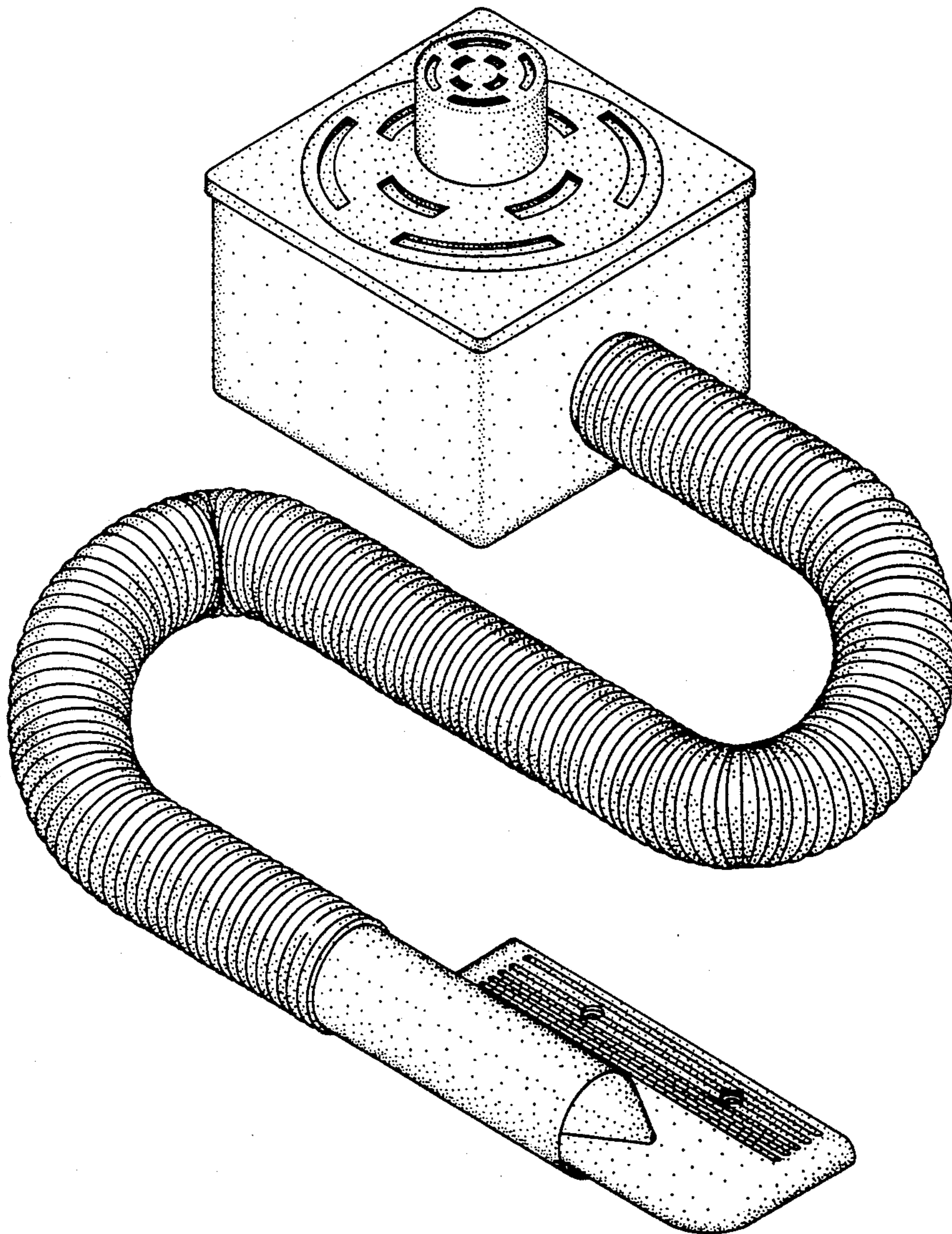


FIG. 1

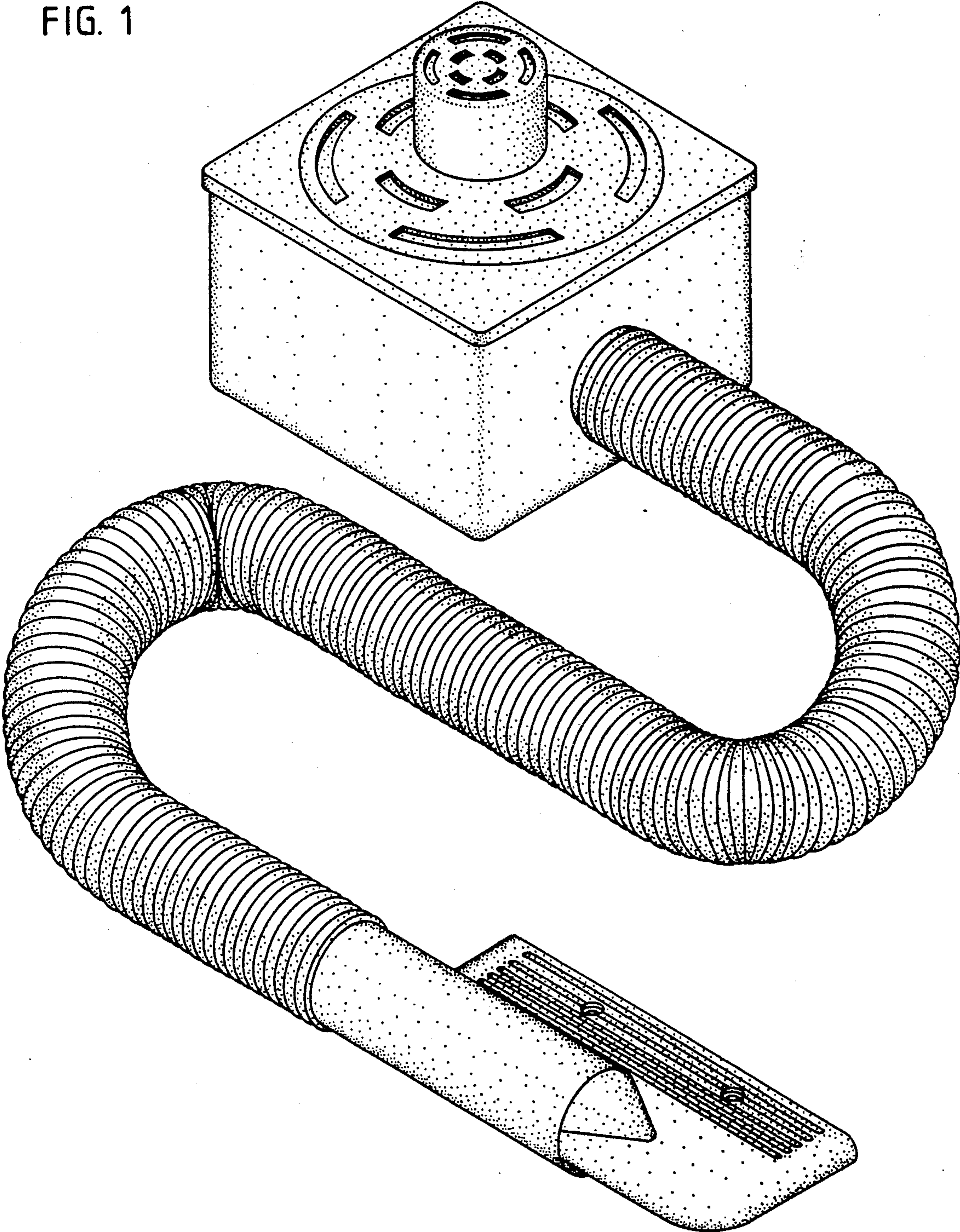
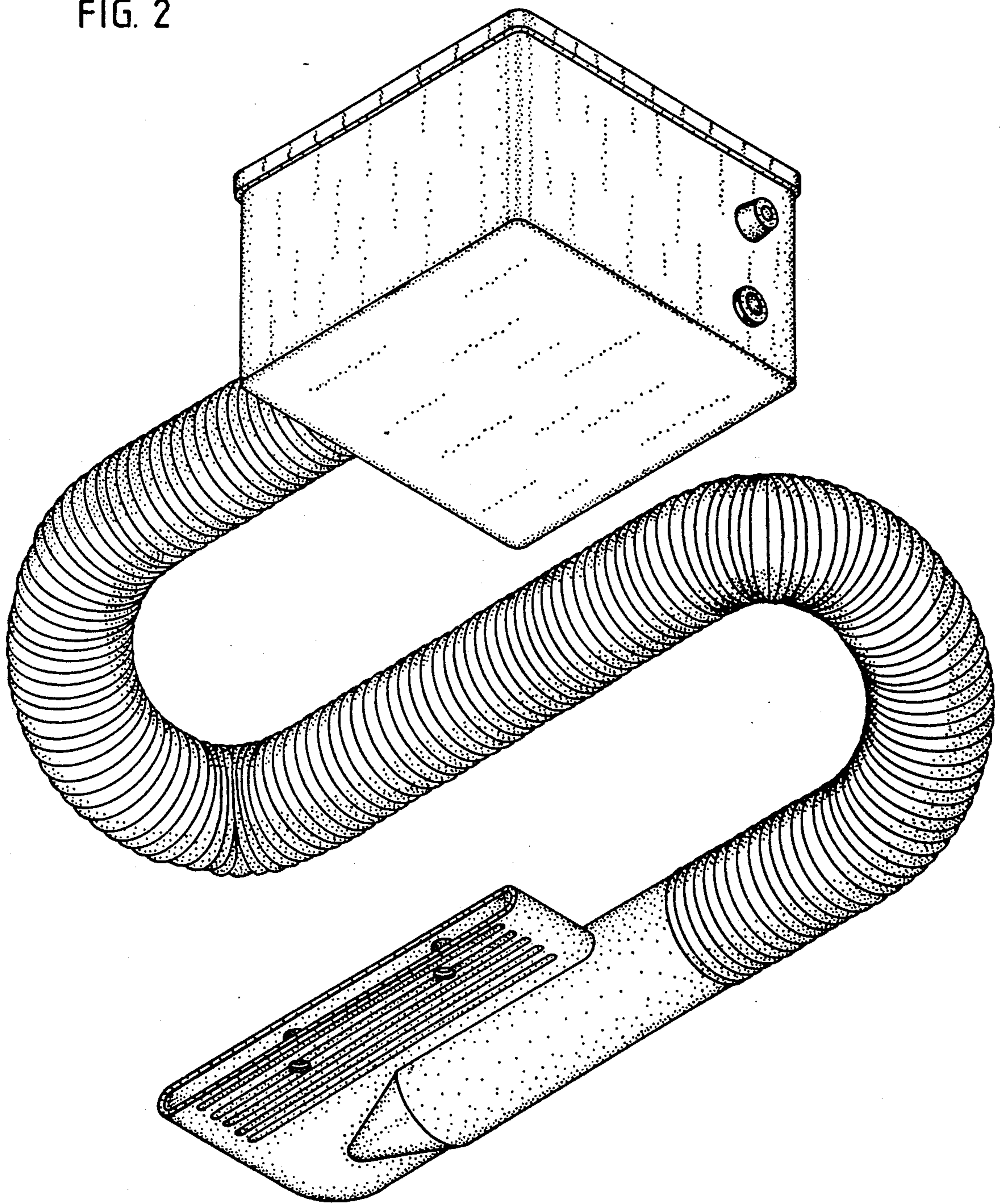


FIG. 2



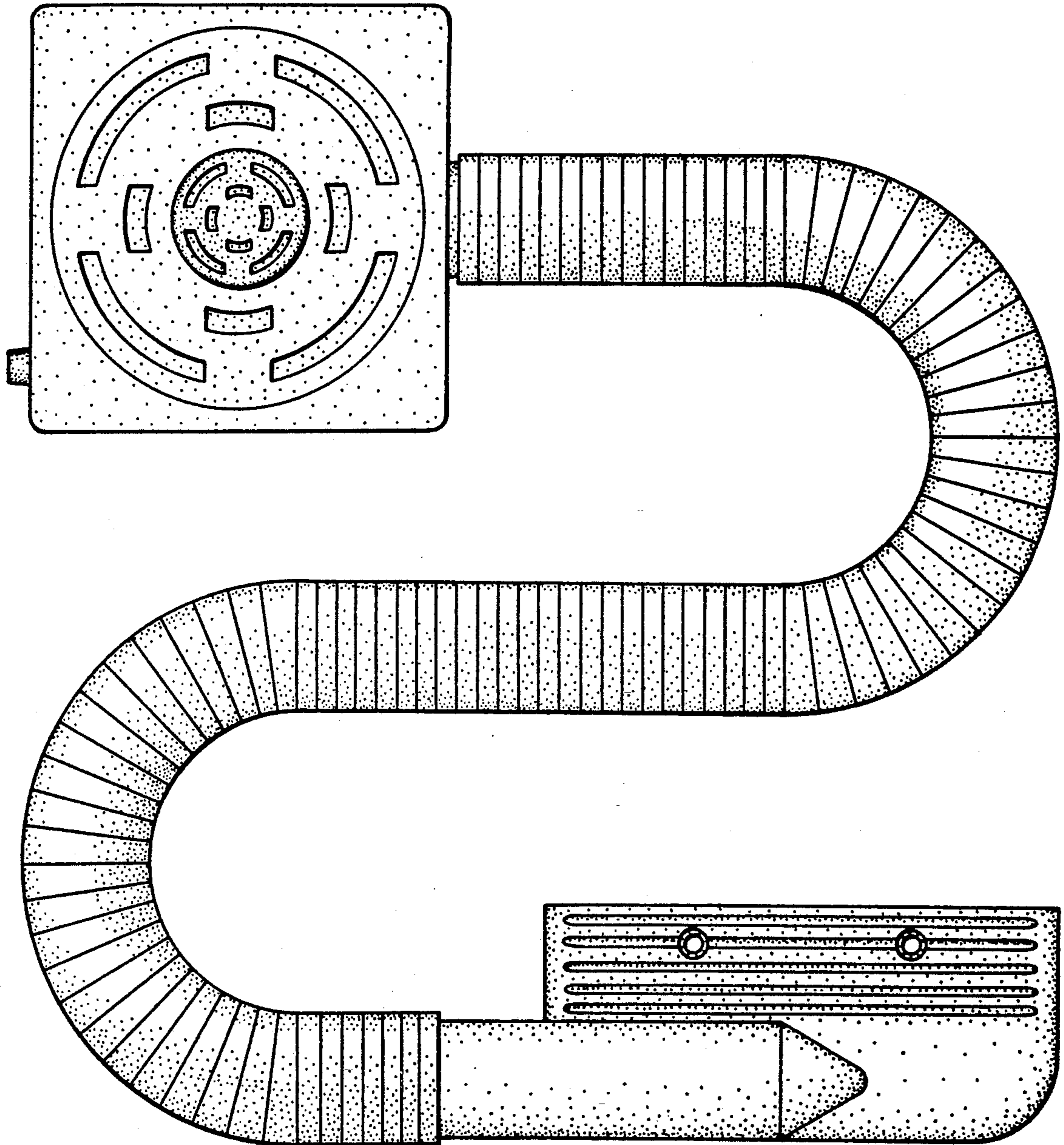


FIG. 3

FIG. 4

