



US00D337816S

# United States Patent [19]

[11] Patent Number: **Des. 337,816**

Hogan

[45] Date of Patent: **\*\* Jul. 27, 1993**

[54] FAN GRILL FOR AN OUTDOOR AIR  
CONDITIONER OR HEAT PUMP UNIT

4,392,525 7/1983 O'Mara et al. .... 62/507  
4,394,111 7/1983 Wiese et al. .... D23/351  
4,723,419 2/1988 Kessler et al. .... 62/507

[75] Inventor: Mark R. Hogan, Manlius, N.Y.

### OTHER PUBLICATIONS

[73] Assignee: Carrier Corporation, Syracuse, N.Y.

Intertherm Weatherite AD, front of page, Self Con-  
tained Heat Pump, Middle of page.

[\*\*] Term: 14 Years

Primary Examiner—Wallace R. Burke  
Assistant Examiner—Lisa Lichtenstein

[21] Appl. No.: 255,172

[22] Filed: Oct. 7, 1988

[52] U.S. Cl. .... D23/354

[58] Field of Search ..... D23/388, 390, 354, 351,  
D23/352, 381, 382; 62/507, 428; 98/40.2, 94.2,  
121.1

[57] CLAIM

The ornamental design for a fan grill for an outdoor air  
conditioner or heat pump unit, as shown and described.

### DESCRIPTION

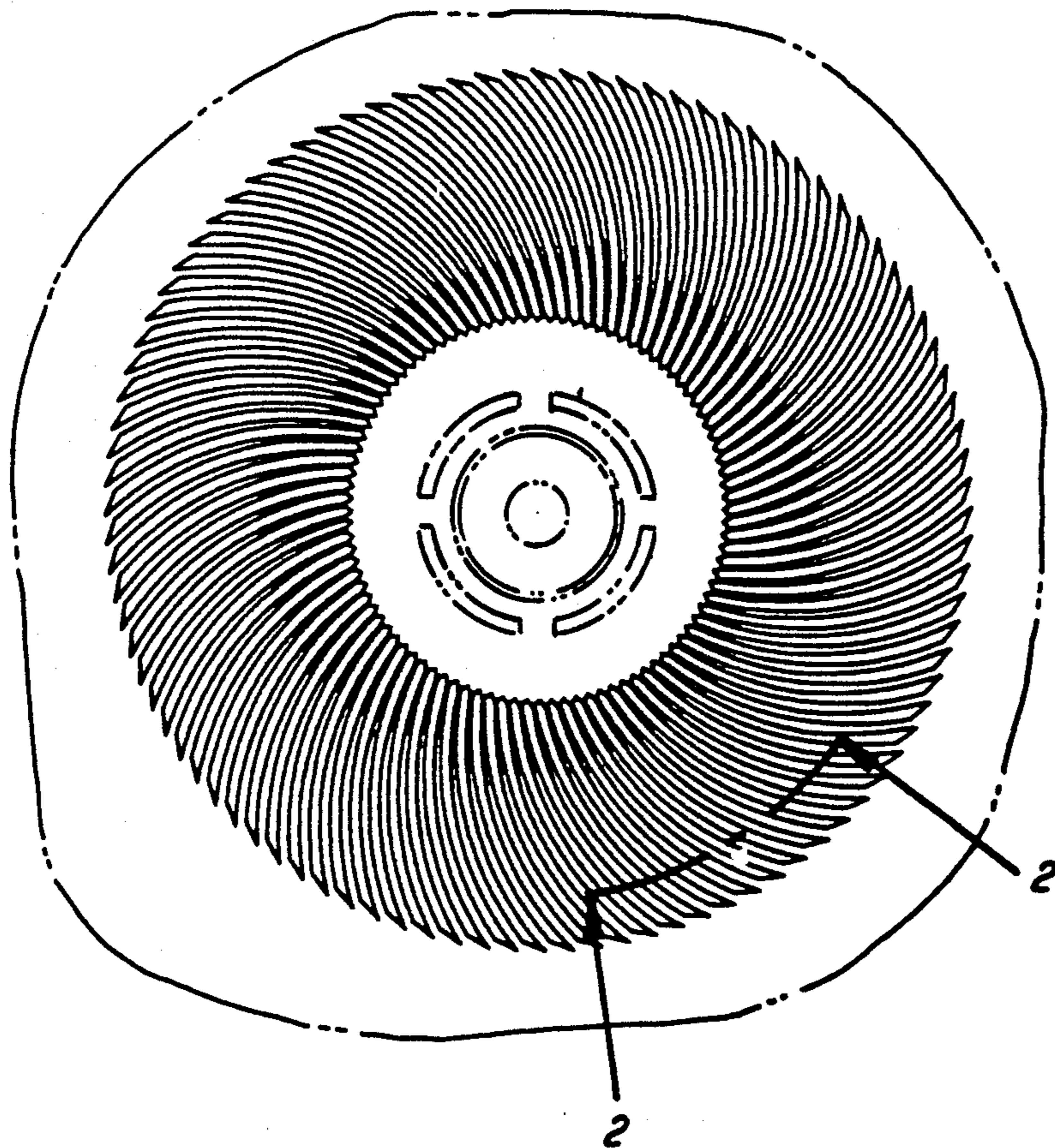
[56] References Cited

#### U.S. PATENT DOCUMENTS

D. 258,589 3/1981 Sugiura ..... D15/7  
D. 286,323 10/1986 Haworth ..... D23/366  
D. 296,711 7/1988 Bronaugh et al. .... D23/351  
2,021,086 11/1935 Oskamp ..... D23/390  
2,381,345 8/1945 Greenlaw ..... 98/40.2  
2,598,763 6/1952 DeRoo ..... D23/390

FIG. 1 is a top plan view of a fan grill for an outdoor air  
conditioner or heat pump unit, showing my new design,  
it being understood that the bottom is a mirror image  
thereof and that the broken lines on the top panel of the  
air conditioner or heat pump unit are for illustrative  
purposes only, and form no part of the claimed design;  
and,

FIG. 2 is an enlarged fragmentary cross-sectional view  
thereof, taken along lines 2—2 in FIG. 1.



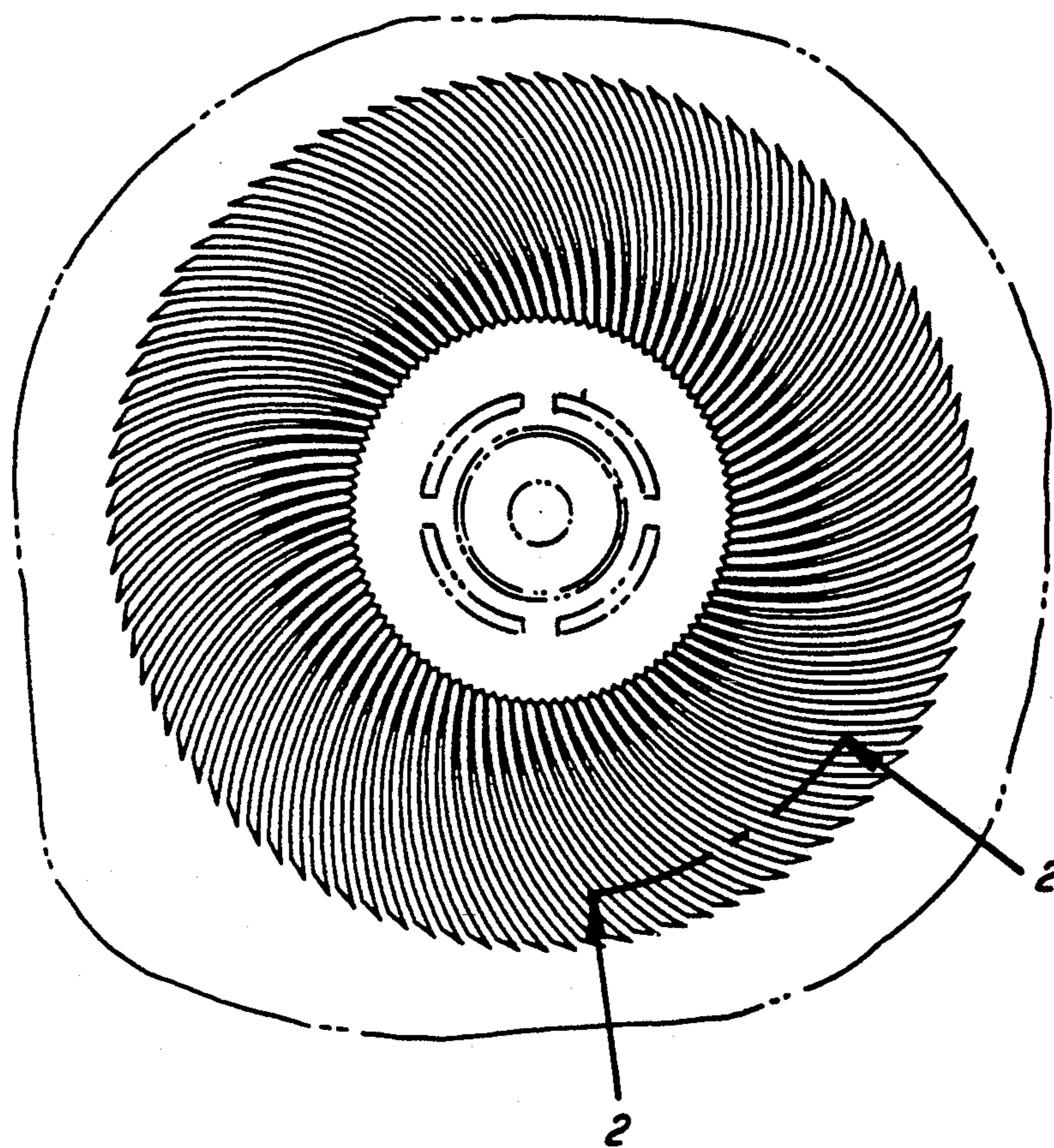


FIG. 1



FIG. 2