



US00D337814S

United States Patent [19]

Rogers et al.

[11] Patent Number: **Des. 337,814**

[45] Date of Patent: **** Jul. 27, 1993**

[54] **INFLATABLE BATHTUB**

[76] Inventors: **Dorothy Rogers; George Rogers, both of P.O. Box 325, Harrisburg, Ak. 72432**

[**] Term: **14 Years**

[21] Appl. No.: **624,268**

[22] Filed: **Dec. 7, 1990**

[52] U.S. Cl. **D23/281**

[58] Field of Search **D23/270, 271, 273, 275-283, D23/303-307, 538, 539, 546, 552, 553, 571-573, 578, 579, 588-591, 664, 665**

3,058,122	10/1962	McDaniel et al.	D23/278 X
3,246,346	4/1966	Schmidt .	
3,681,789	8/1972	Bott	4/588
4,068,326	1/1978	Deschler .	
4,312,084	1/1982	Browning .	
4,744,112	5/1988	Keesling, Jr.	4/588 X

Primary Examiner—James R. Largen

[57] **CLAIM**

The ornamental design for an inflatable bathtub, as shown and described.

DESCRIPTION

FIG. 1 is a perspective view from the top, one side and one end of an inflatable bathtub showing our new design;

FIG. 2 is a elevational view of the side shown in FIG. 1;

FIG. 3 is an elevational view of the side opposite that shown in FIG. 2;

FIG. 4 is an elevational view of the end shown in FIG. 1;

FIG. 5 is an elevational view of the end opposite that shown in FIG. 4;

FIG. 6 is a top plan view thereof; and,

FIG. 7 is a bottom plan view thereof.

[56] **References Cited**

U.S. PATENT DOCUMENTS

D. 156,555	12/1949	Perlman	D23/277 X
D. 202,412	9/1965	Muller	D23/278
D. 205,992	10/1966	Gardner	D23/278
D. 224,306	7/1972	Anderson	D23/278
D. 293,363	12/1987	Everard	D23/277
573,625	12/1896	Ruffner	D23/278 X
736,089	8/1903	Gray	4/588 X
2,471,302	5/1949	Boword	4/588
2,504,646	4/1950	Burrow	4/588
2,505,845	5/1950	Alvarez	4/588

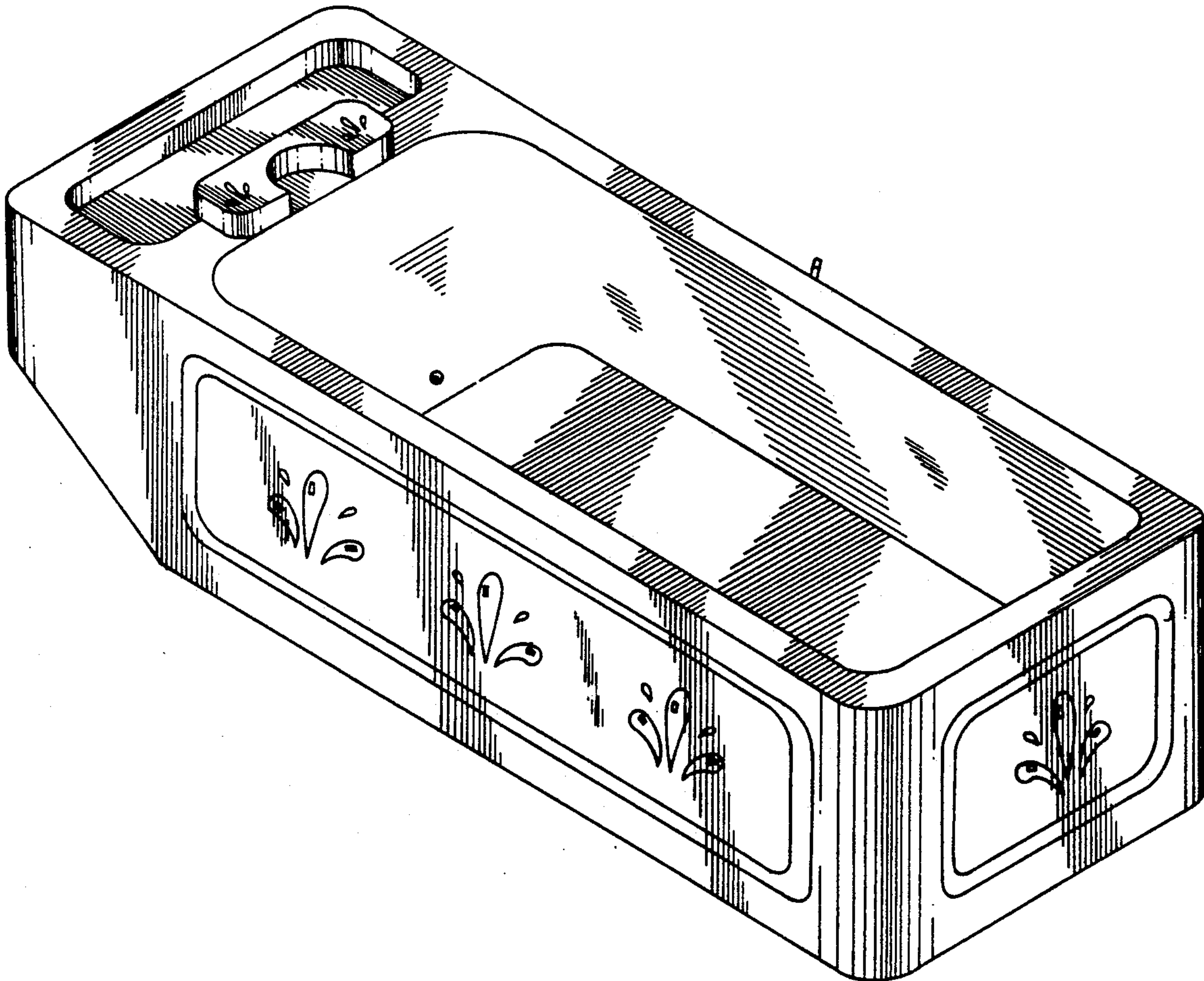
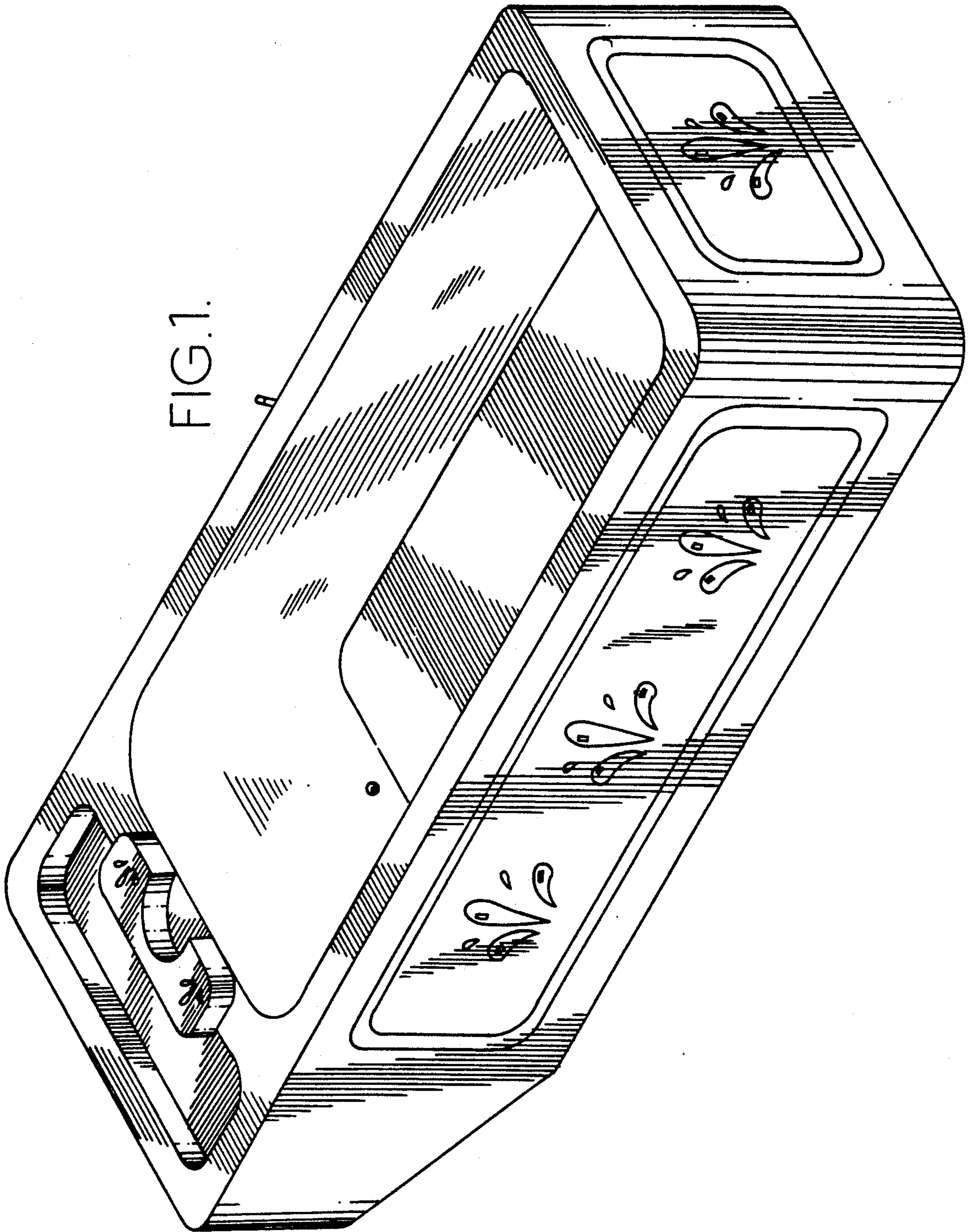


FIG. 1.



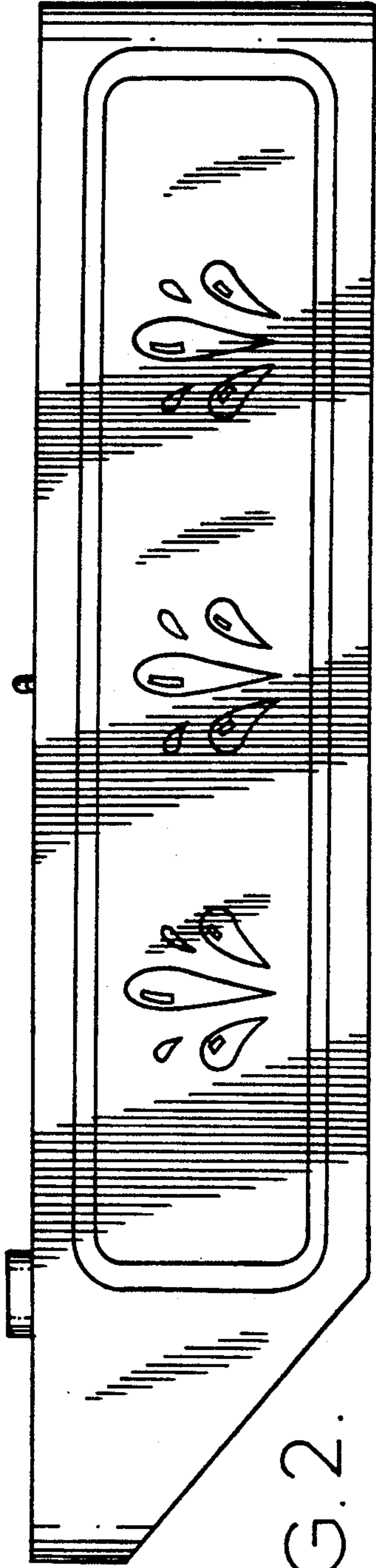


FIG. 2.

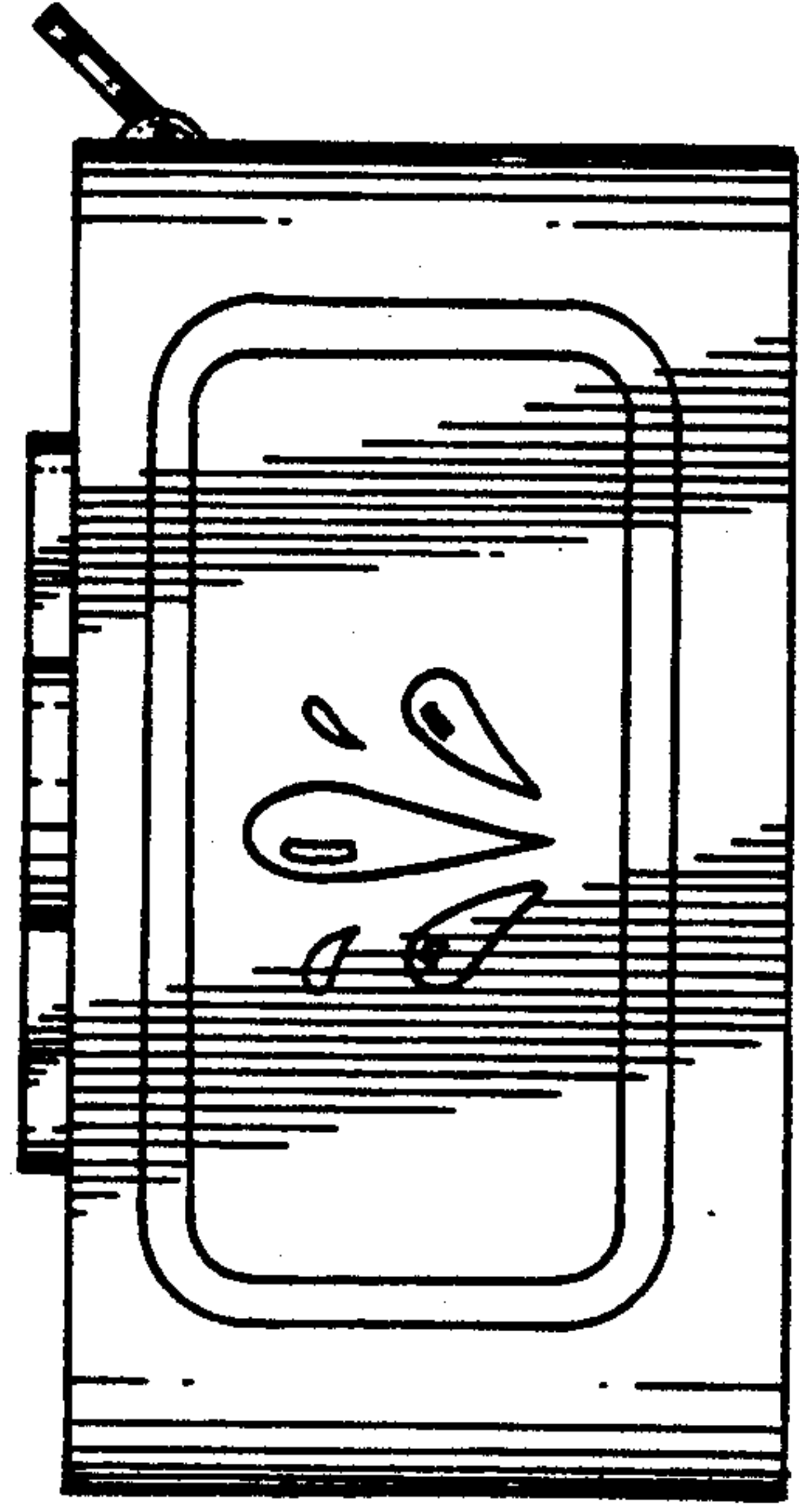


FIG. 4.

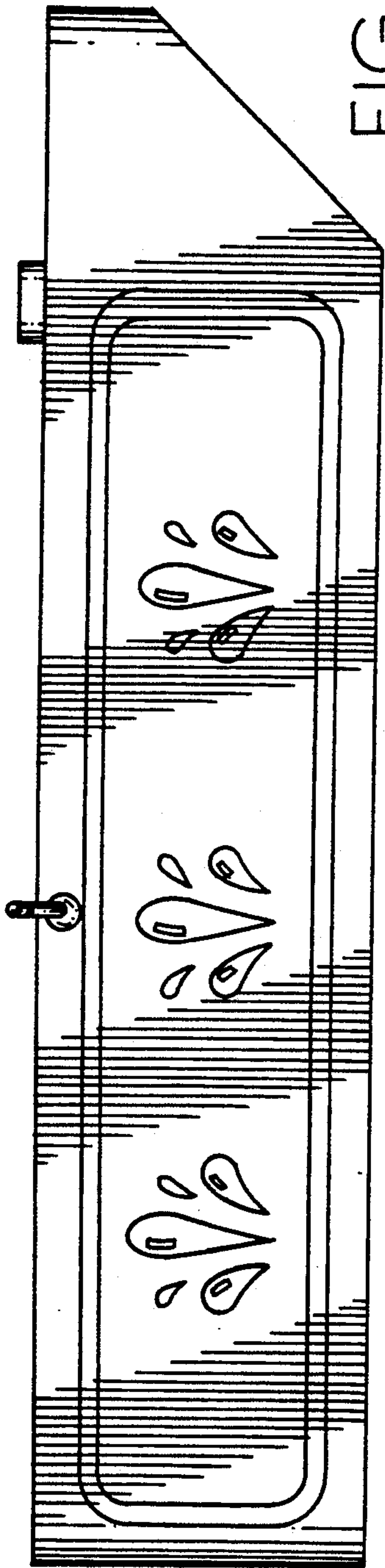


FIG. 3.

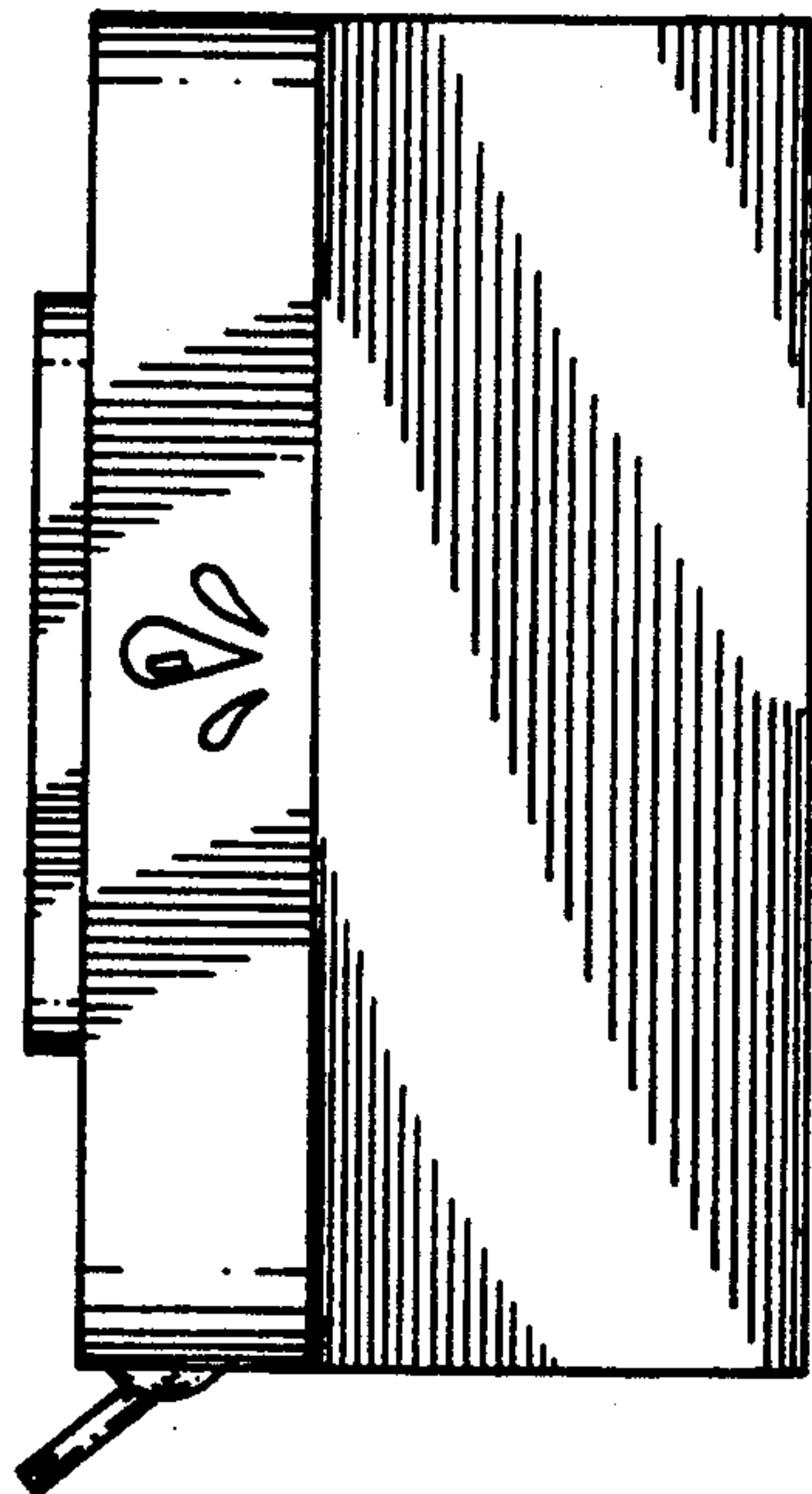


FIG. 5.

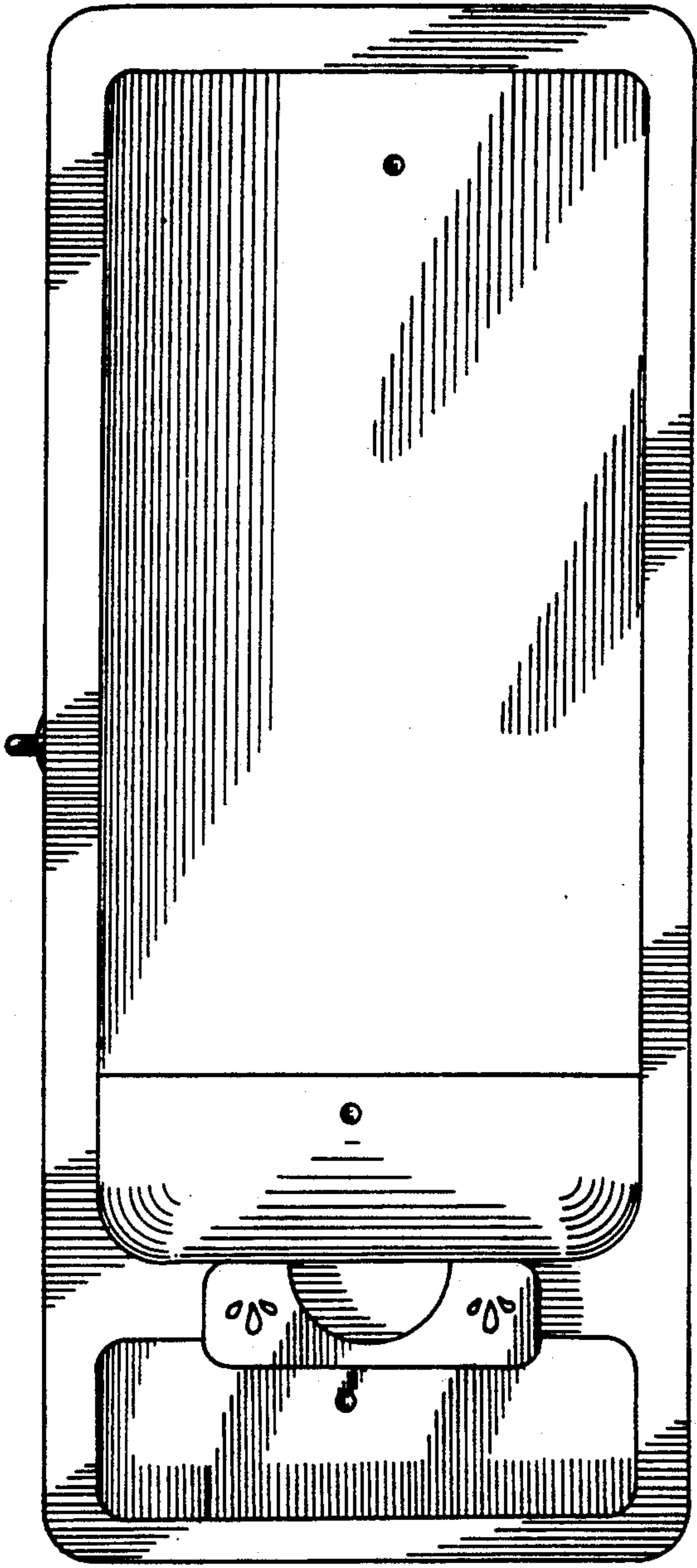


FIG. 6.

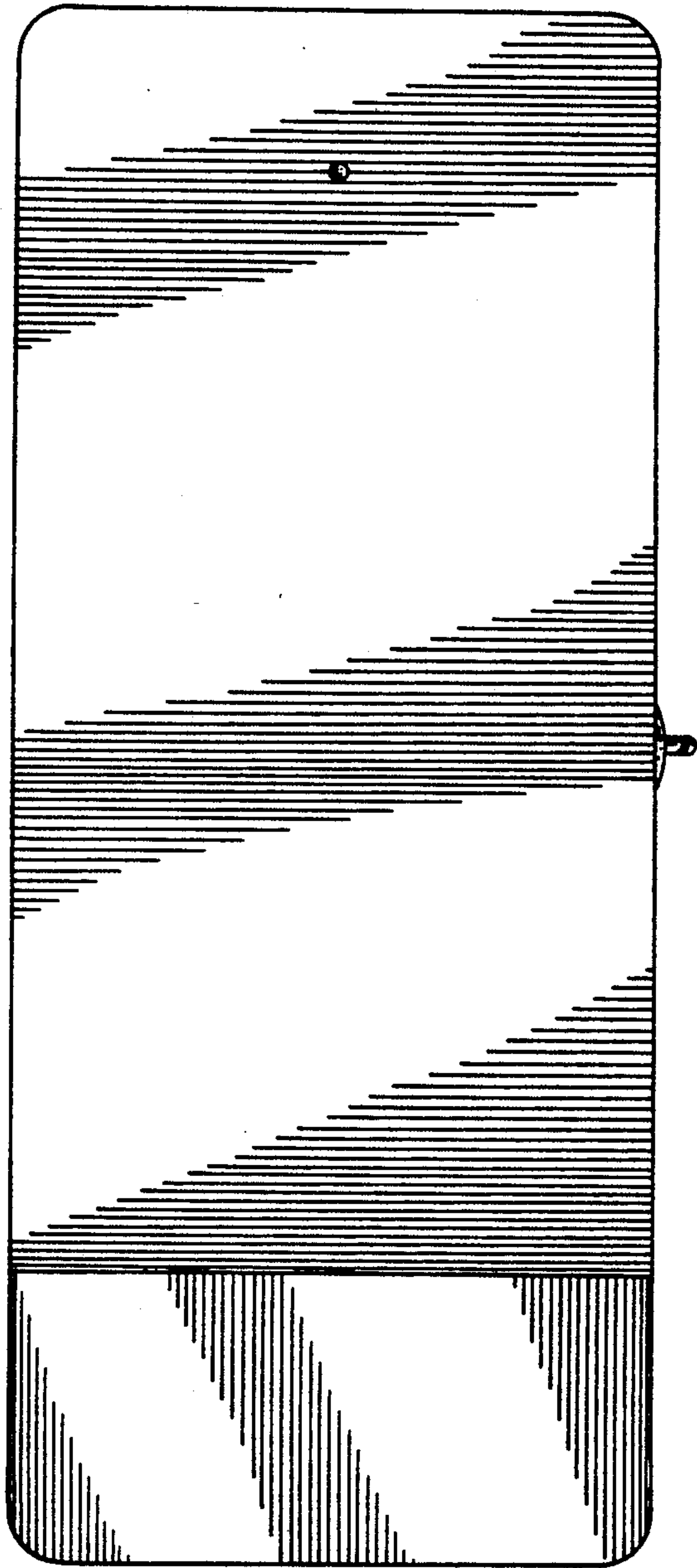


FIG. 7.