



US00D337812S

United States Patent [19]

[11] Patent Number: **Des. 337,812**

Bray

[45] Date of Patent: **** Jul. 27, 1993**

[54] **SINK FAUCET**

[76] Inventor: **Donald T. Bray, 209 East 9th St., Escondido, Calif. 92025**

[**] Term: **14 Years**

[21] Appl. No.: **516,833**

[22] Filed: **Apr. 30, 1990**

[52] U.S. Cl. **D23/238**

[58] Field of Search **D23/238-243; 4/191, 192; 137/216, 359, 801**

4,635,673	1/1987	Gerdes	137/216
4,771,485	9/1988	Traylor	137/216 X
4,856,121	8/1989	Traylor	137/216 X
4,856,559	8/1989	Lipshultz et al.	137/801
4,998,555	3/1991	Barhydt, Sr. et al.	137/359

Primary Examiner—James R. Largen

[57] **CLAIM**

The ornamental design for a sink faucet, as shown and described.

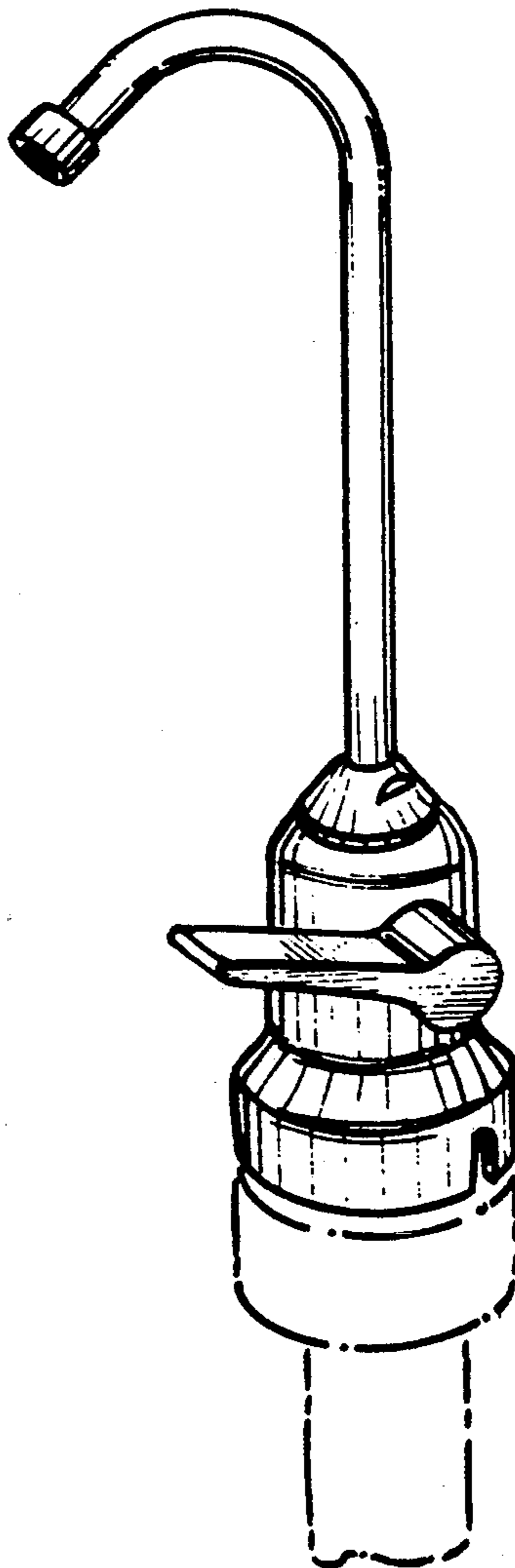
DESCRIPTION

FIG. 1 is a perspective view taken from the front and left side of a sink faucet showing my new design; FIG. 2 is a front elevational view thereof; FIG. 3 is a right side elevational view thereof; FIG. 4 is a rear elevational view thereof; FIG. 5 is a left side elevational view thereof; FIG. 6 is a top plan view thereof; and, FIG. 7 is a bottom plan view thereof. The fragmentary broken line representation of a plumbing connection in FIG. 1 is for purposes of illustration only and forms no part of the claimed design.

[56] **References Cited**

U.S. PATENT DOCUMENTS

D. 175,660	9/1955	Welch	D23/238 X
D. 243,240	2/1977	Dreibelbis	D23/241
D. 254,801	4/1980	Santi	D23/238
D. 255,595	6/1980	Lampp	D23/238
D. 268,608	4/1983	Wilcock	D23/238
D. 309,342	7/1990	Nowlin et al.	D23/239
3,260,241	11/1971	Brown	137/216
3,967,638	7/1976	Tondreau	137/216
4,454,891	6/1984	Dreibelbis	137/216



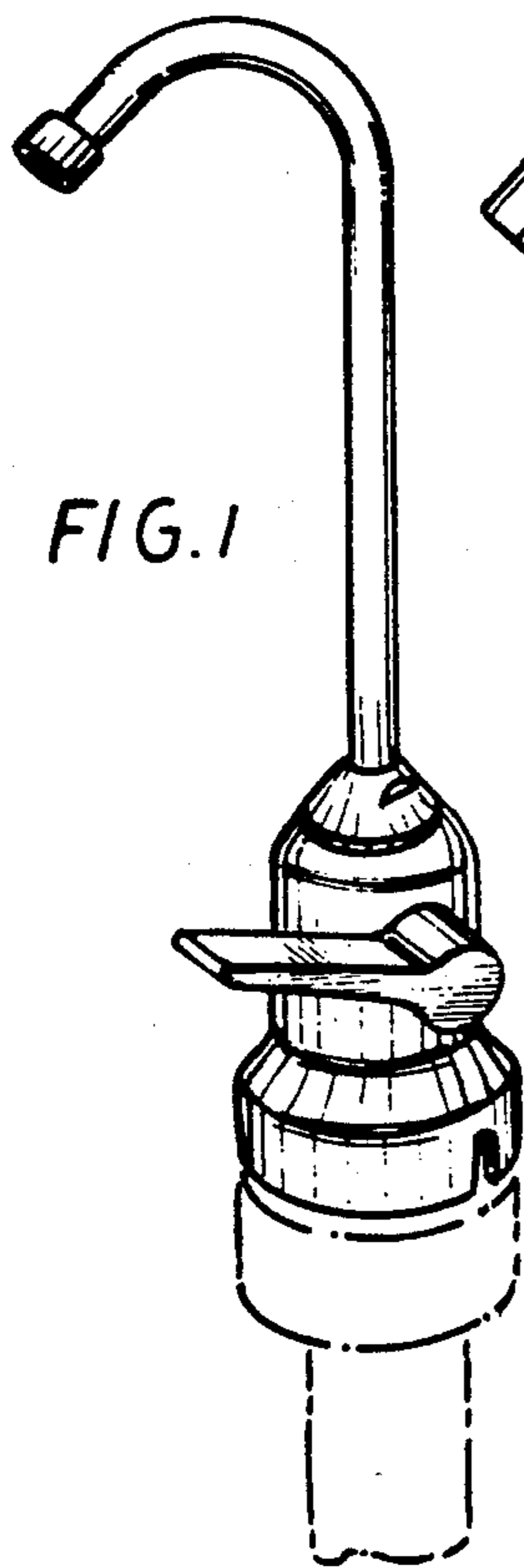


FIG. 1

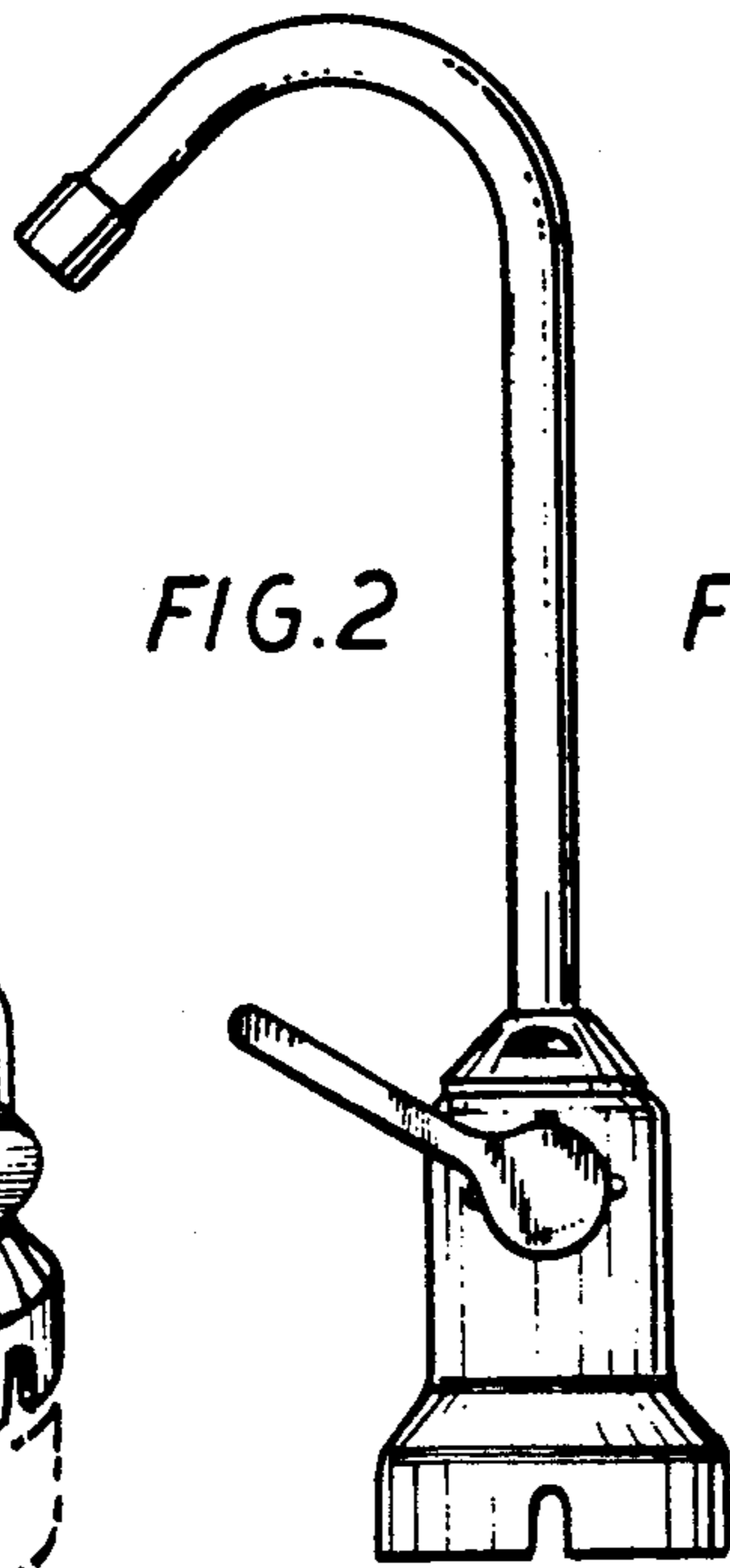


FIG. 2

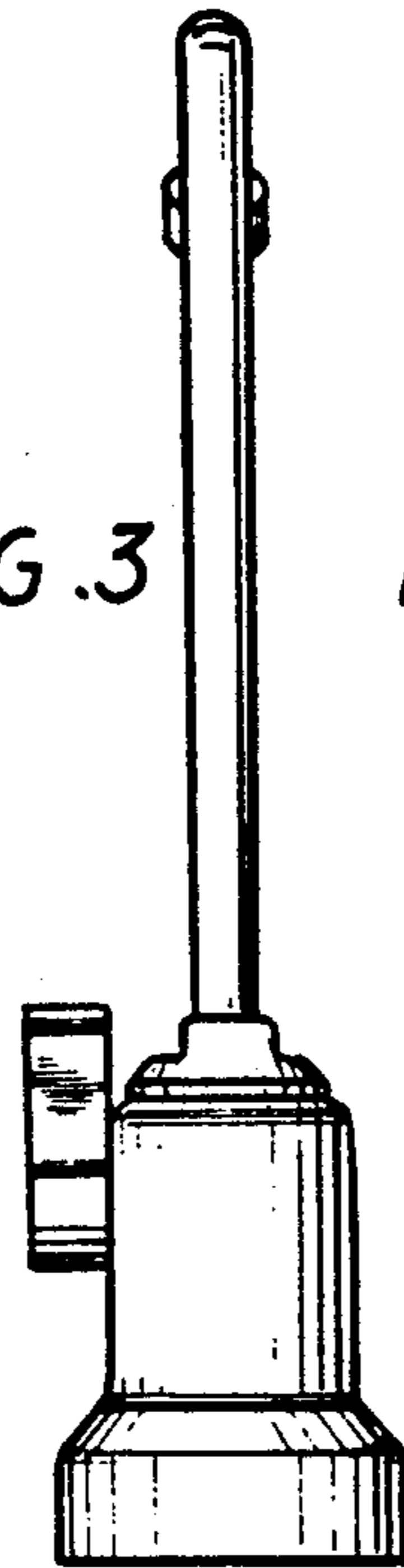


FIG. 3

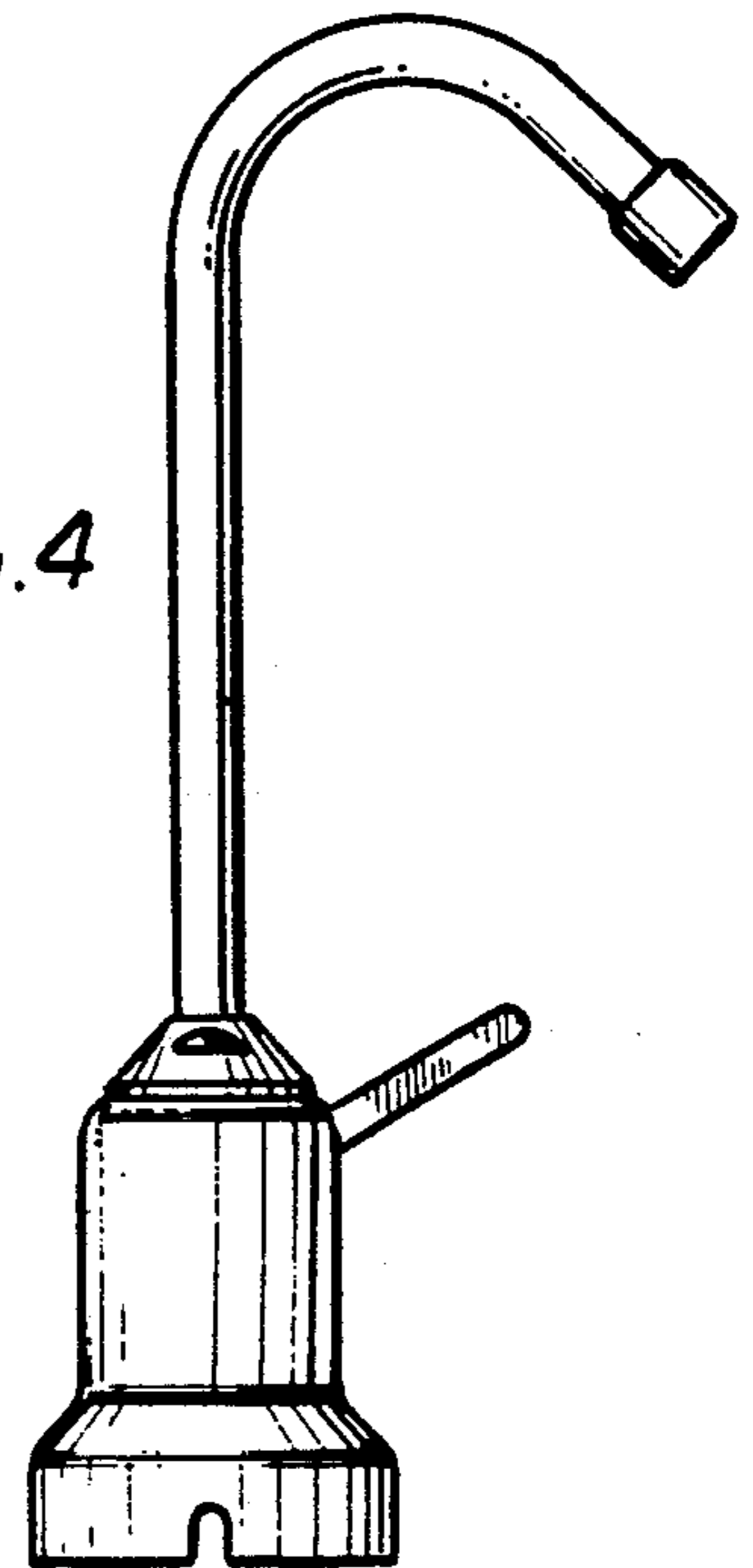


FIG. 4

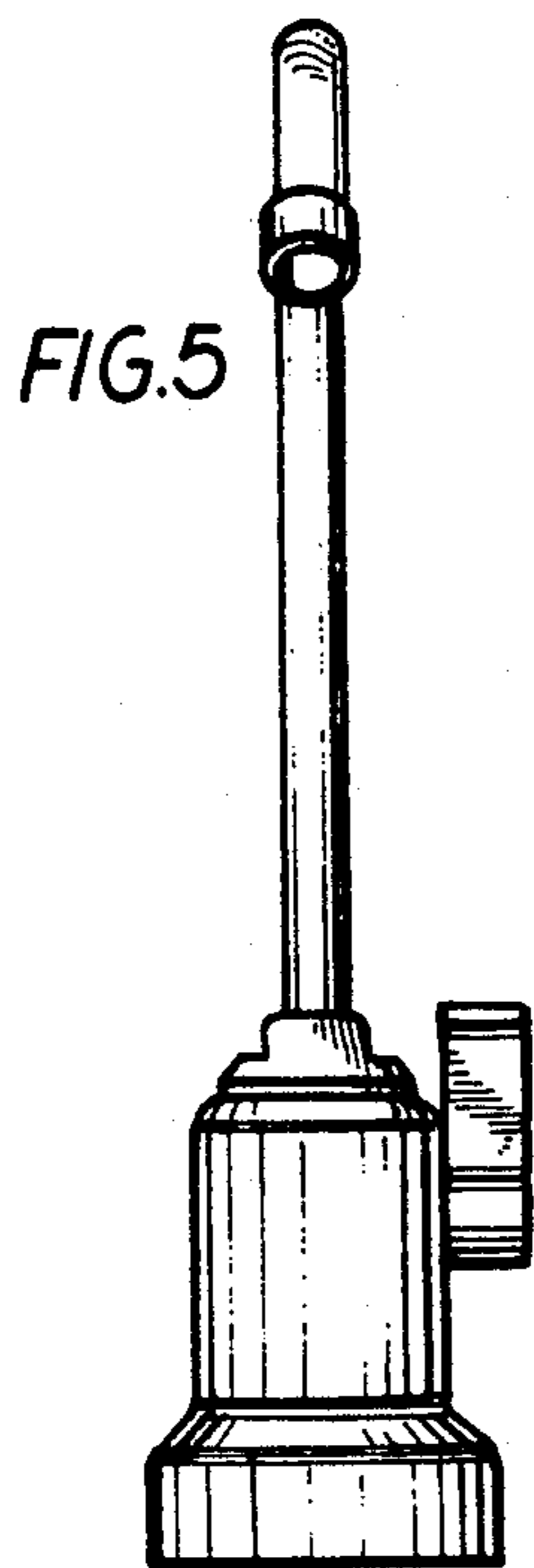


FIG. 5

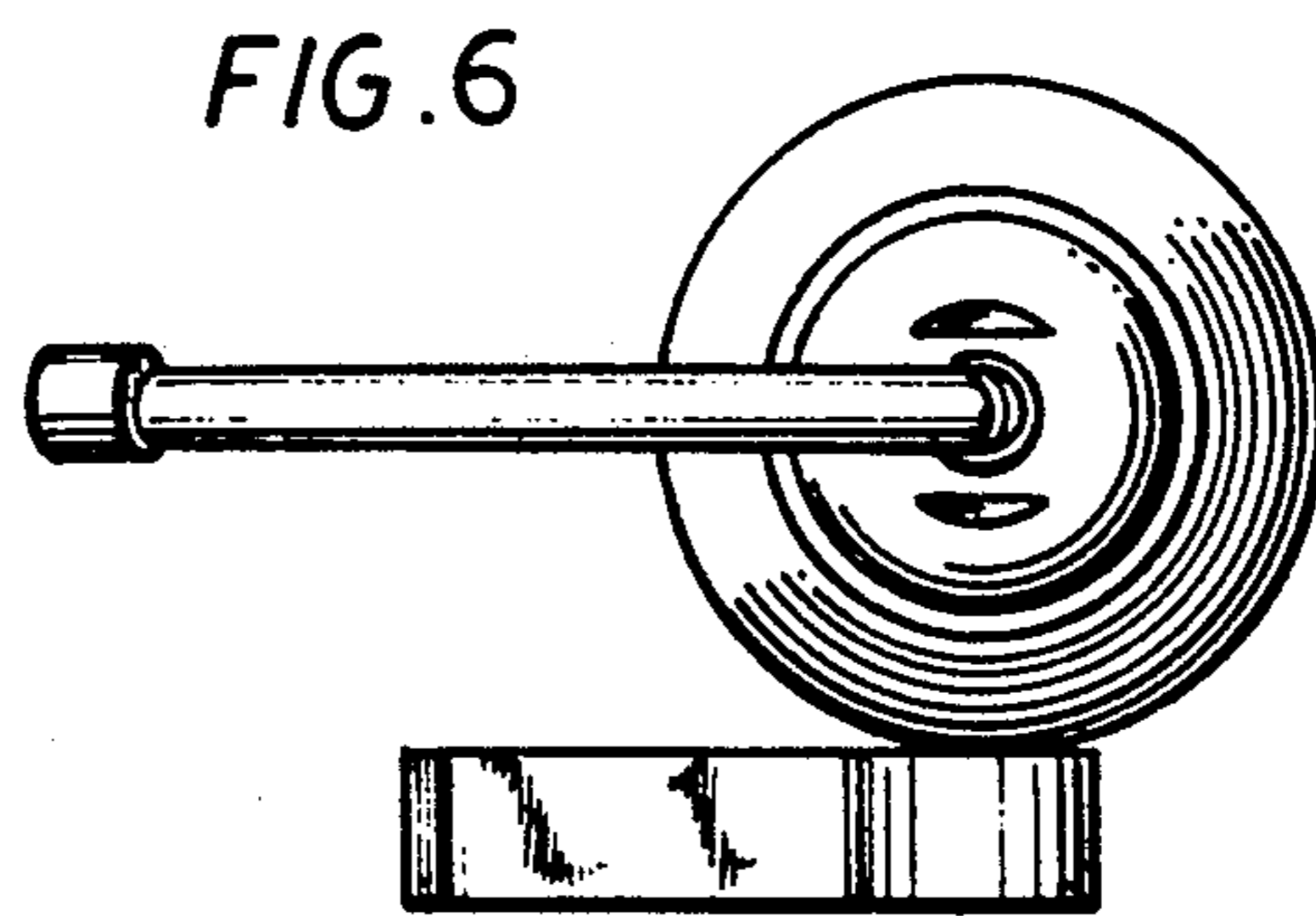


FIG. 6

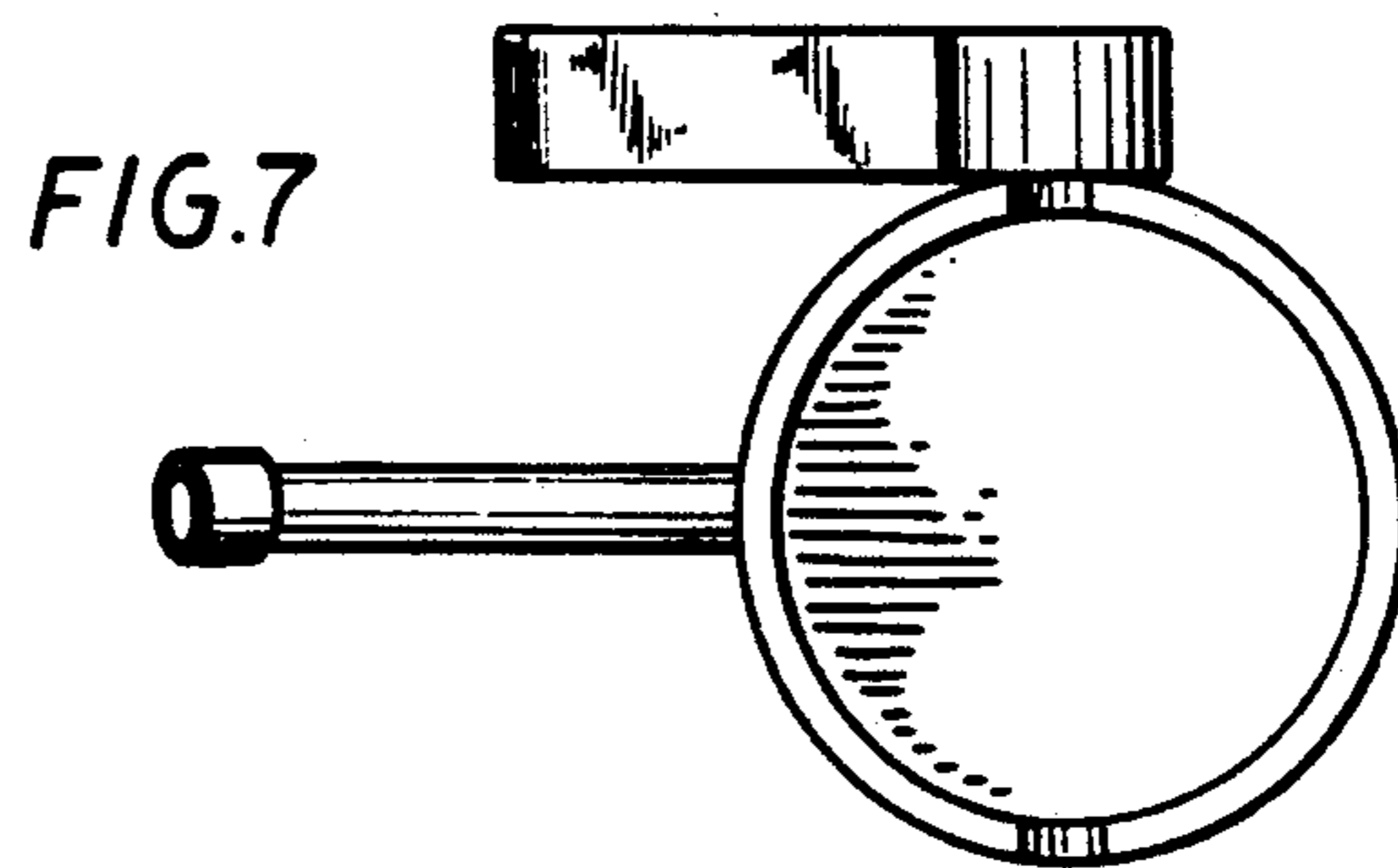


FIG. 7