



US00D337811S

# United States Patent [19]

[11] Patent Number: **Des. 337,811**

Valley et al.

[45] Date of Patent: **\*\* Jul. 27, 1993**

[54] **HAND HELD SPRAYER**

*Attorney, Agent, or Firm*—Lackebach, Siegel, Marzullo & Aronson

[75] Inventors: **Harold J. Valley, Irvine; Mark R. Blackford, Oceanside, both of Calif.**

[57] **CLAIM**

The ornamental design for a hand held sprayer, as shown and described.

[73] Assignee: **Modern Faucet Mfg. Co., Los Angeles, Calif.**

**DESCRIPTION**

[\*\*] Term: **14 Years**

FIG. 1 is a perspective view of a hand held sprayer showing my new design;

[21] Appl. No.: **737,513**

FIG. 2 is a side elevational view thereof, the opposite side being a mirror image;

[22] Filed: **Jul. 30, 1991**

FIG. 3 is a front elevational view thereof;

[52] U.S. Cl. .... **D23/226**

FIG. 4 is a rear elevational view thereof;

[58] Field of Search ..... **D23/200, 213-214, D23/223, 225-230; 239/301, 332, 373, 394, 414-415, 525-528, 532, 554, 556**

FIG. 5 is a top plan view thereof;

FIG. 6 is a bottom plan view thereof;

FIG. 7 is a fragmentary cross-sectional view thereof, taken along 7-7 of FIG. 2;

[56] **References Cited**

**U.S. PATENT DOCUMENTS**

- D. 272,227 10/1987 Rudeliek ..... D23/226
- D. 308,093 5/1990 Hill et al. .... D23/226
- D. 312,298 11/1990 Kapie et al. .... D23/226
- 3,319,893 5/1967 Rodgers et al. .... 239/526 X

FIG. 8 is a fragmentary cross-sectional view thereof, taken along 8-8 of FIG. 2;

FIG. 9 is a fragmentary cross-sectional view thereof, taken along 9-9 of FIG. 2;

FIG. 10 is a fragmentary cross-sectional view thereof, taken along 10-10 of FIG. 2;

FIG. 11 is a fragmentary cross-sectional view thereof along 11-11 of FIG. 2; and,

FIG. 12 is a cross-sectional view thereof, taken along 12-12 of FIG. 2.

*Primary Examiner*—Wallace R. Burke

*Assistant Examiner*—M. H. Tung

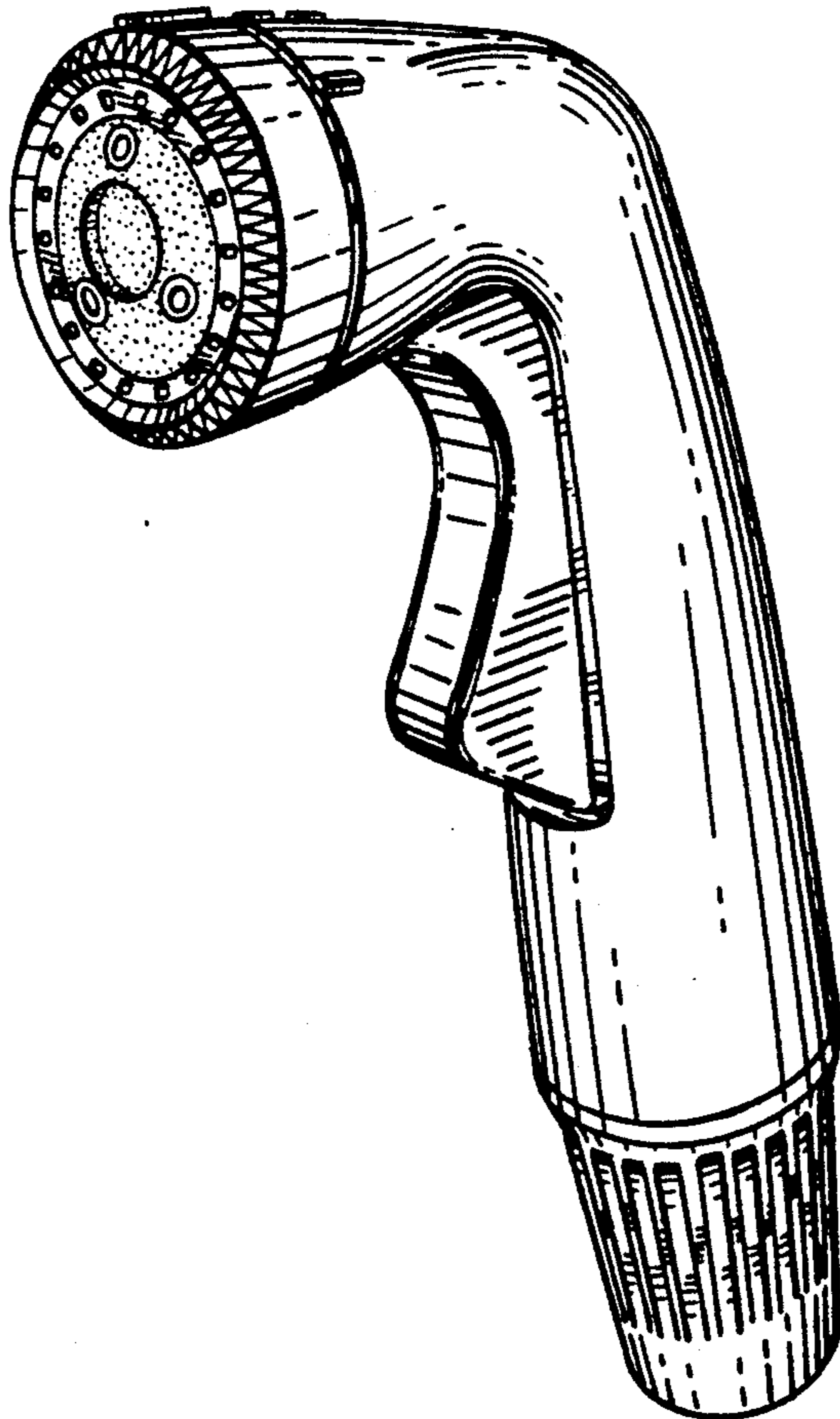


FIG. 1

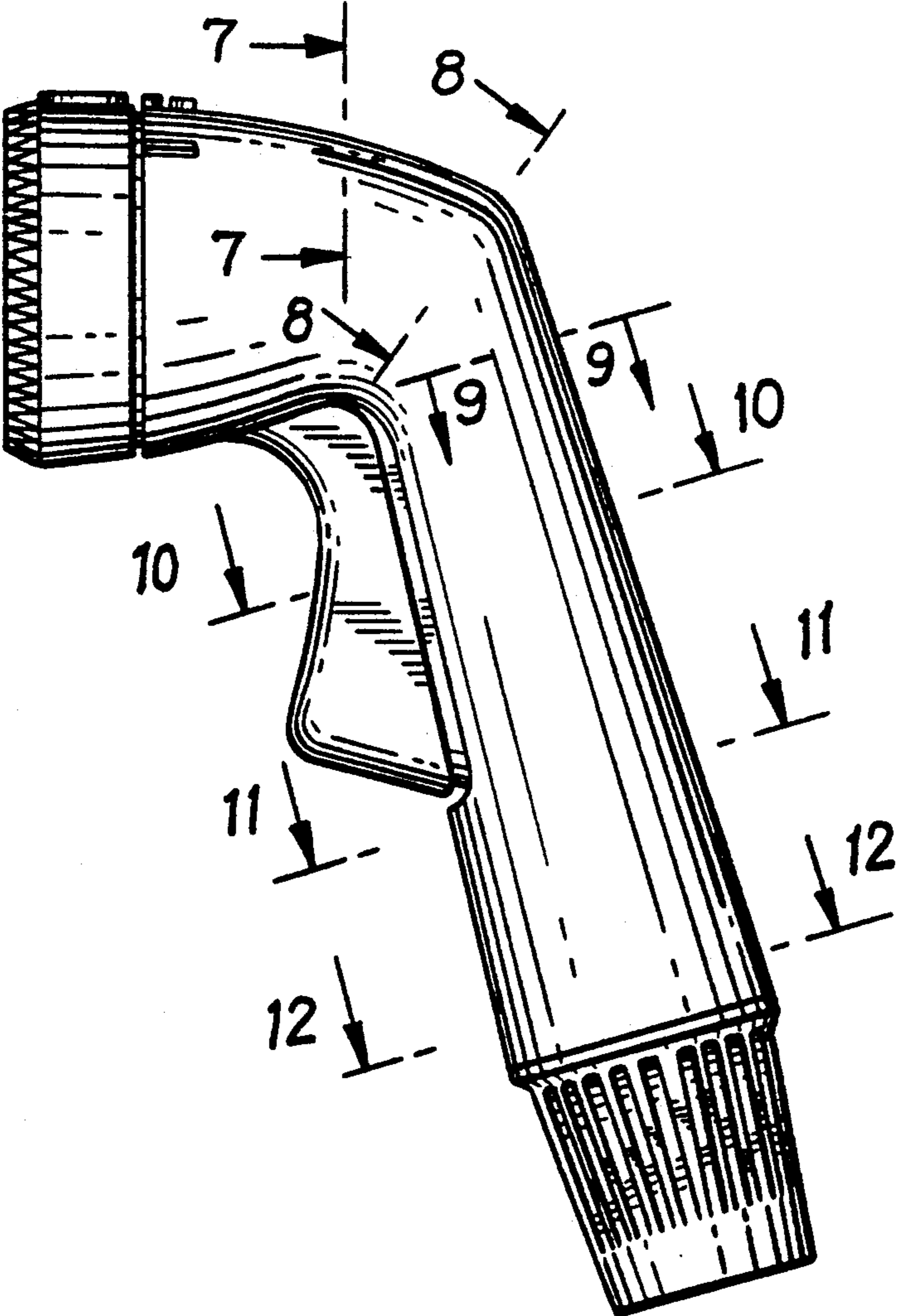
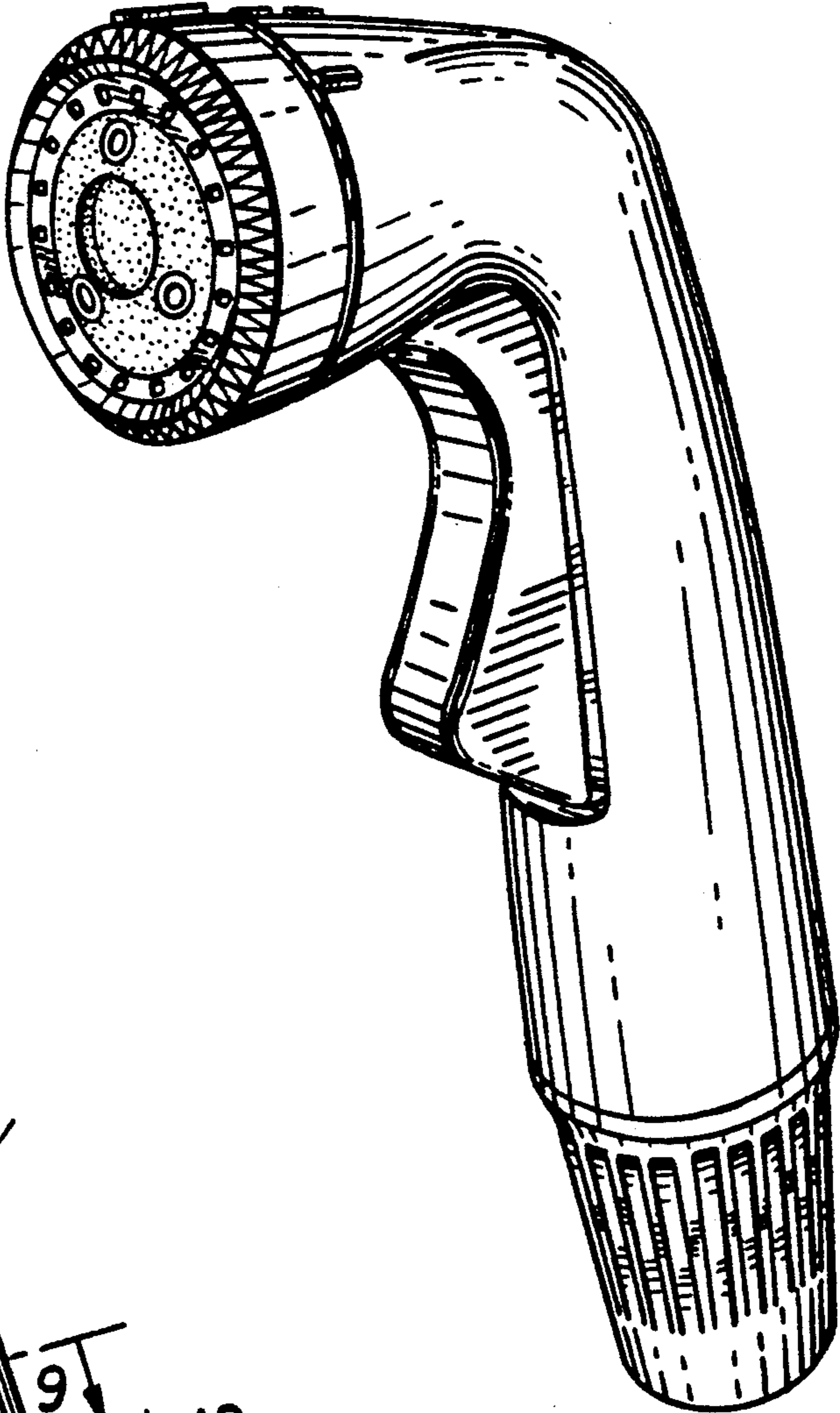
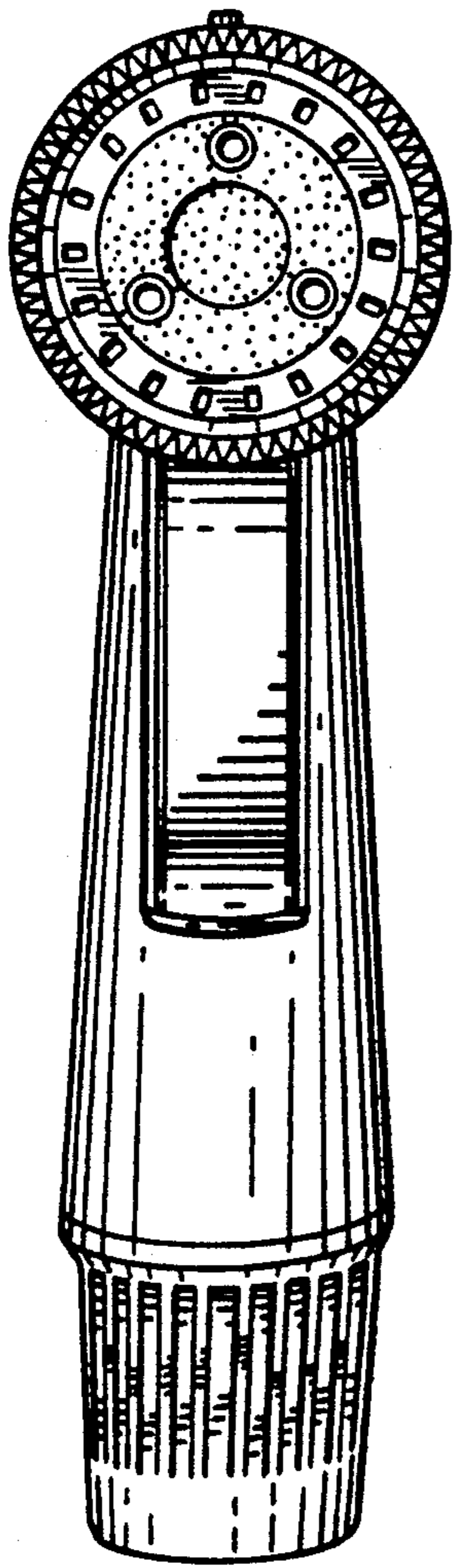
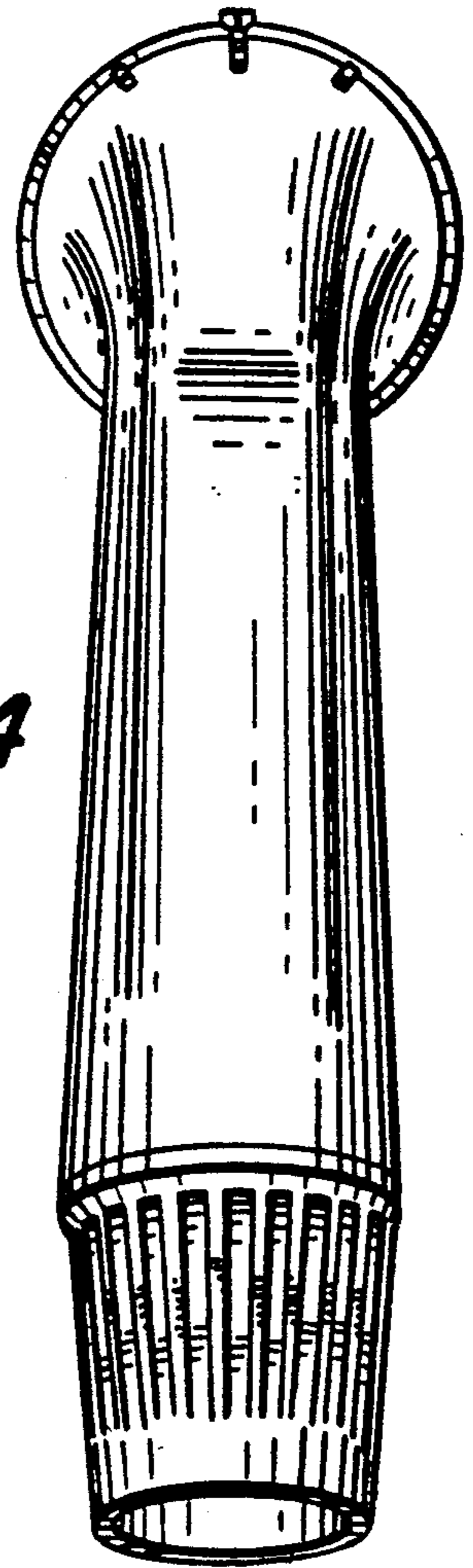


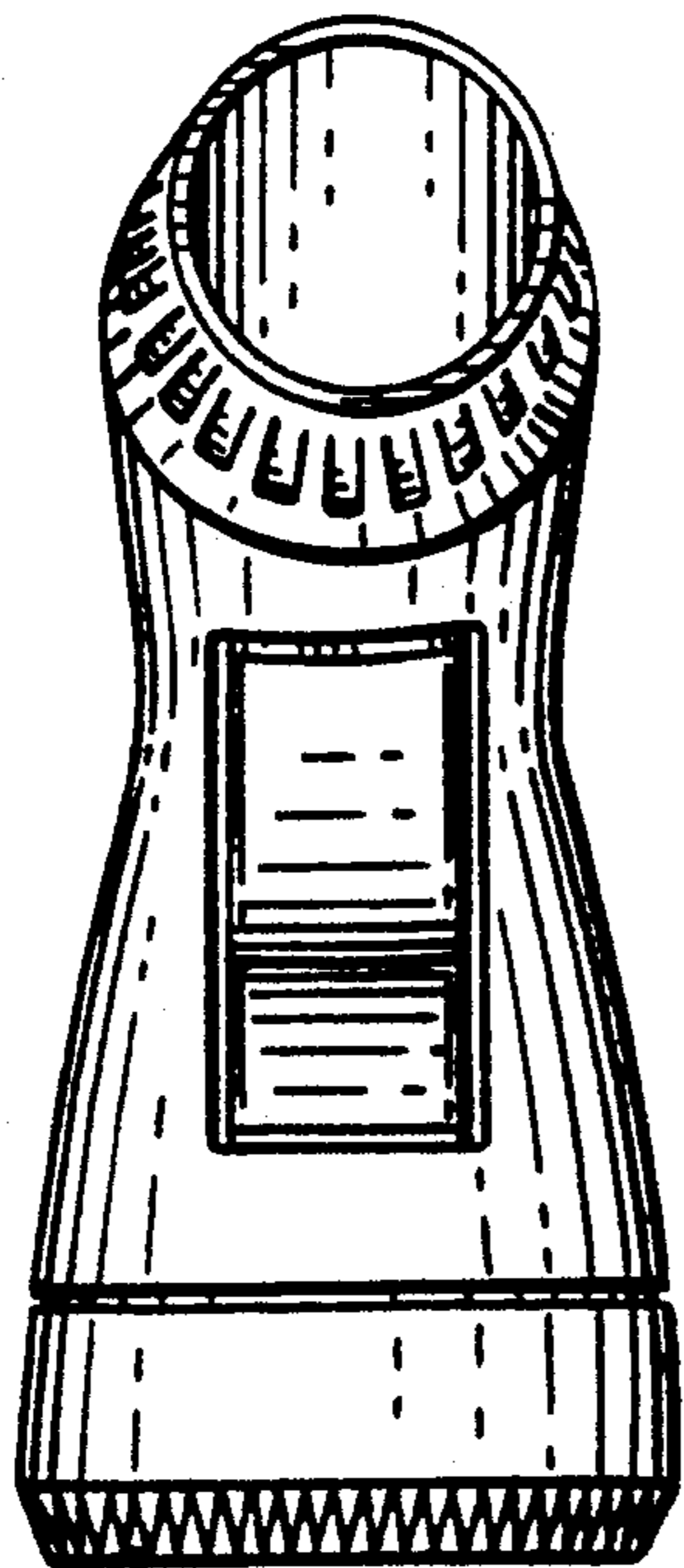
FIG. 2



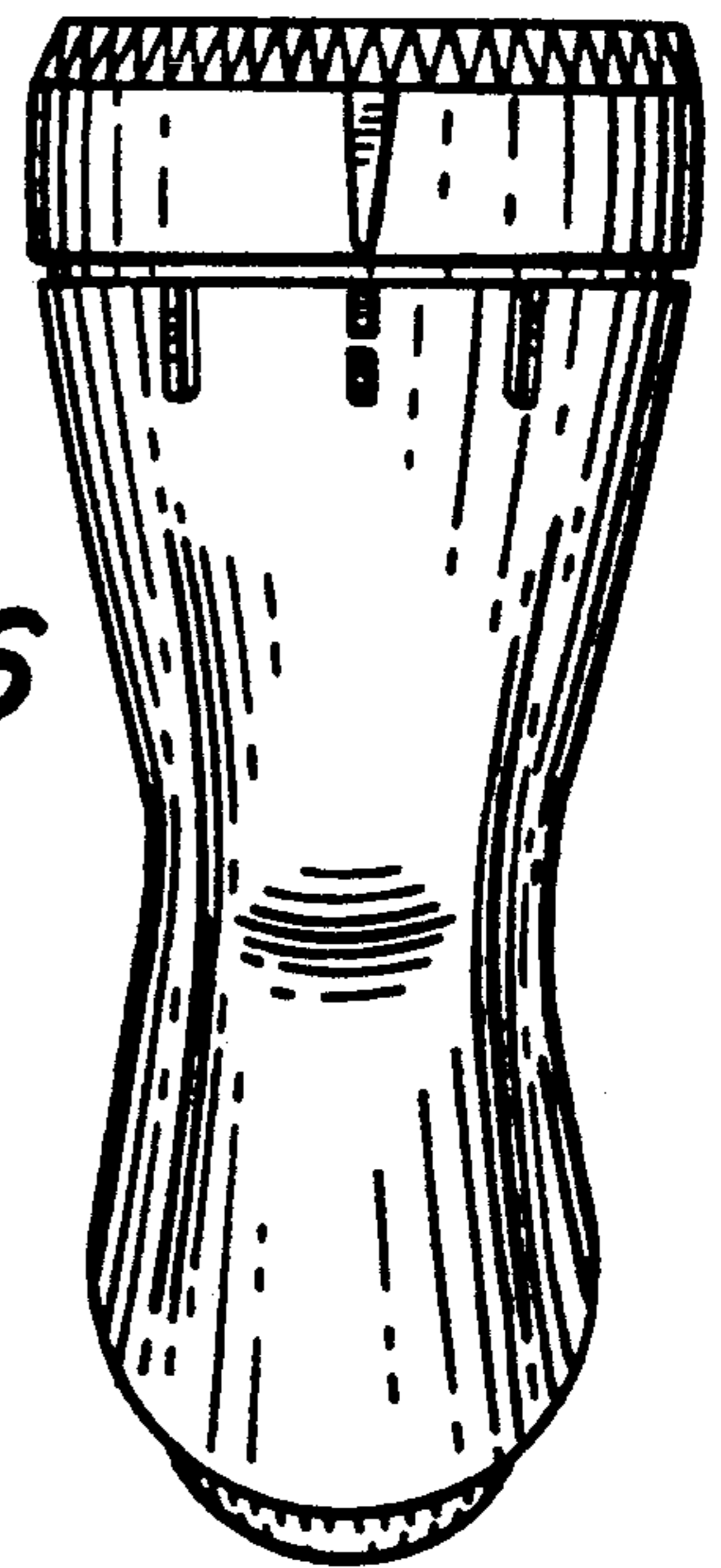
*FIG. 3*



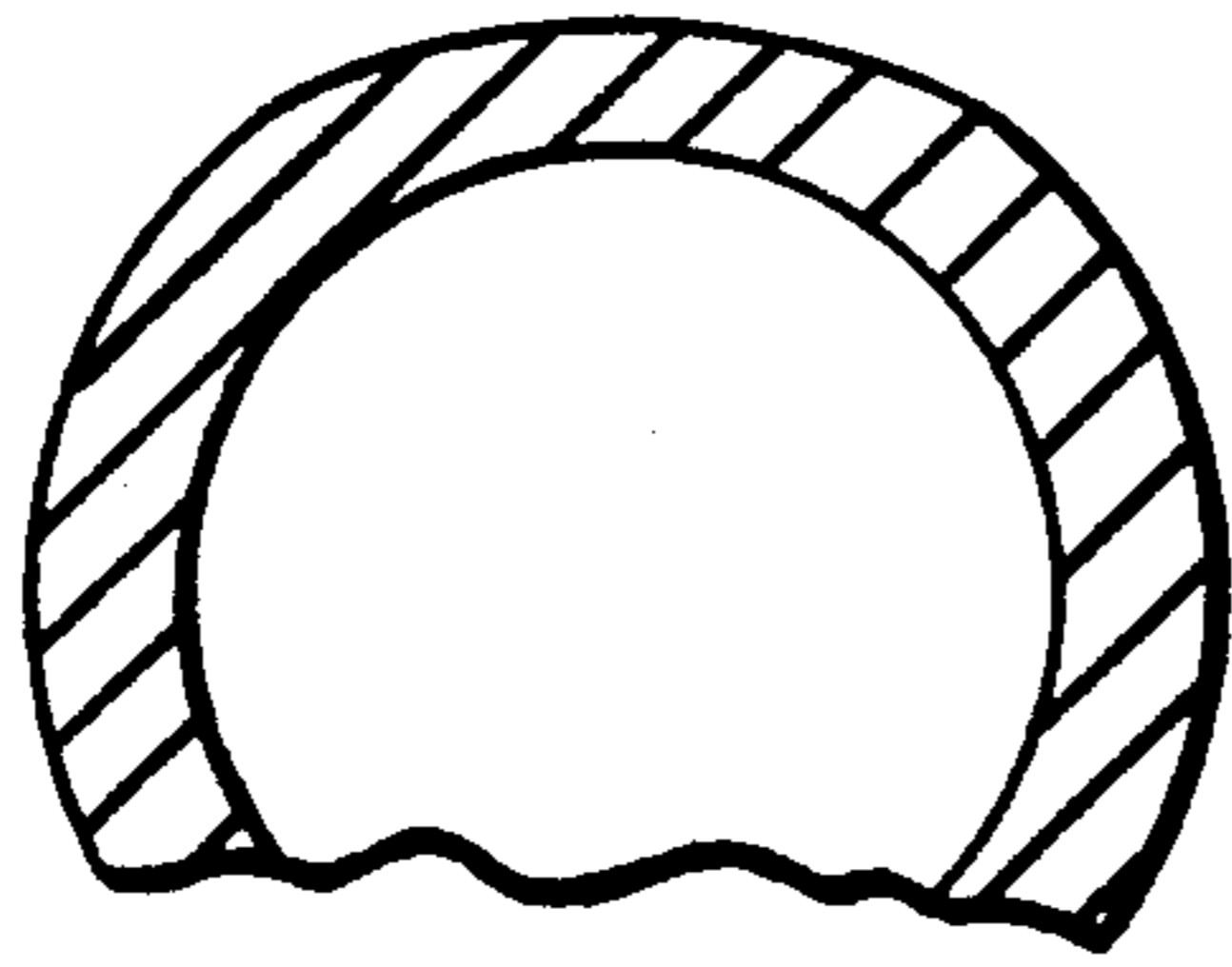
*FIG. 4*



*FIG. 5*

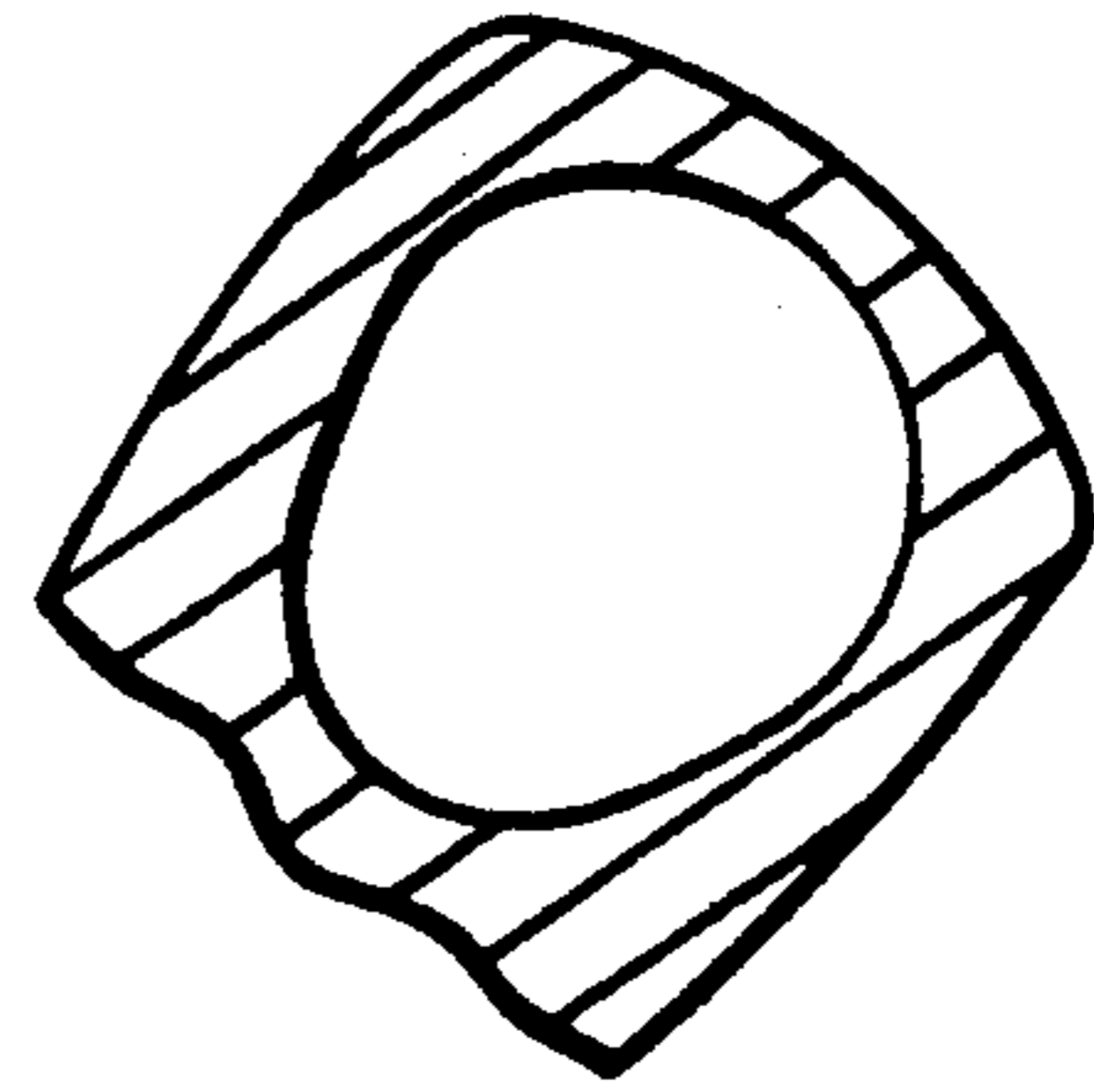


*FIG. 6*

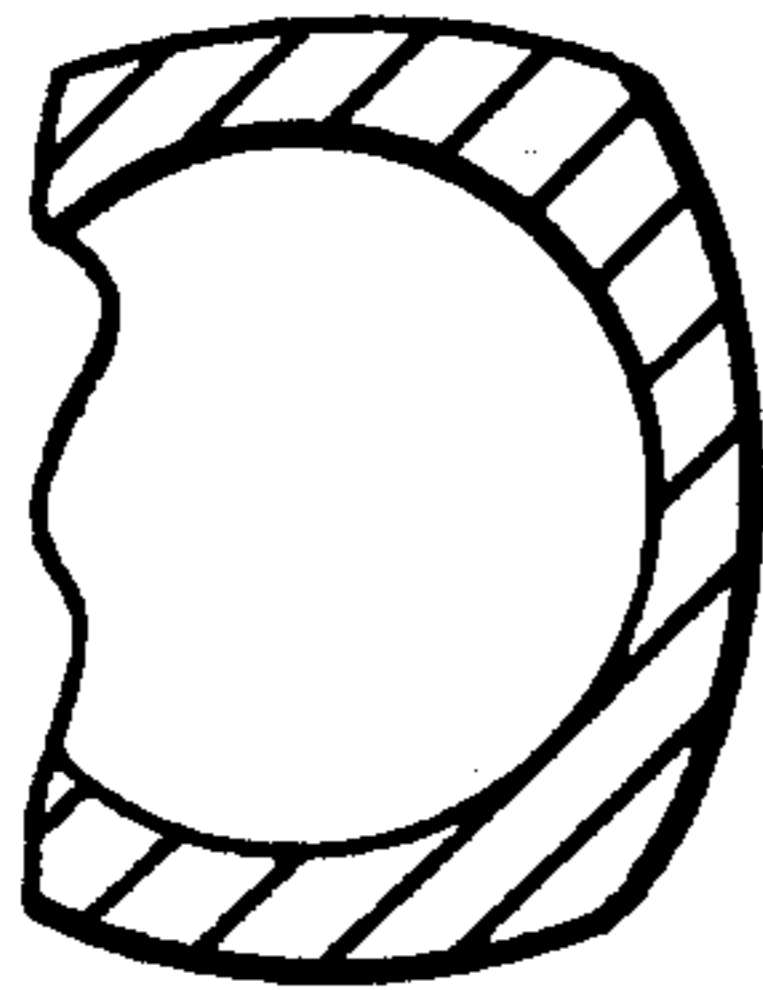


*FIG. 7*

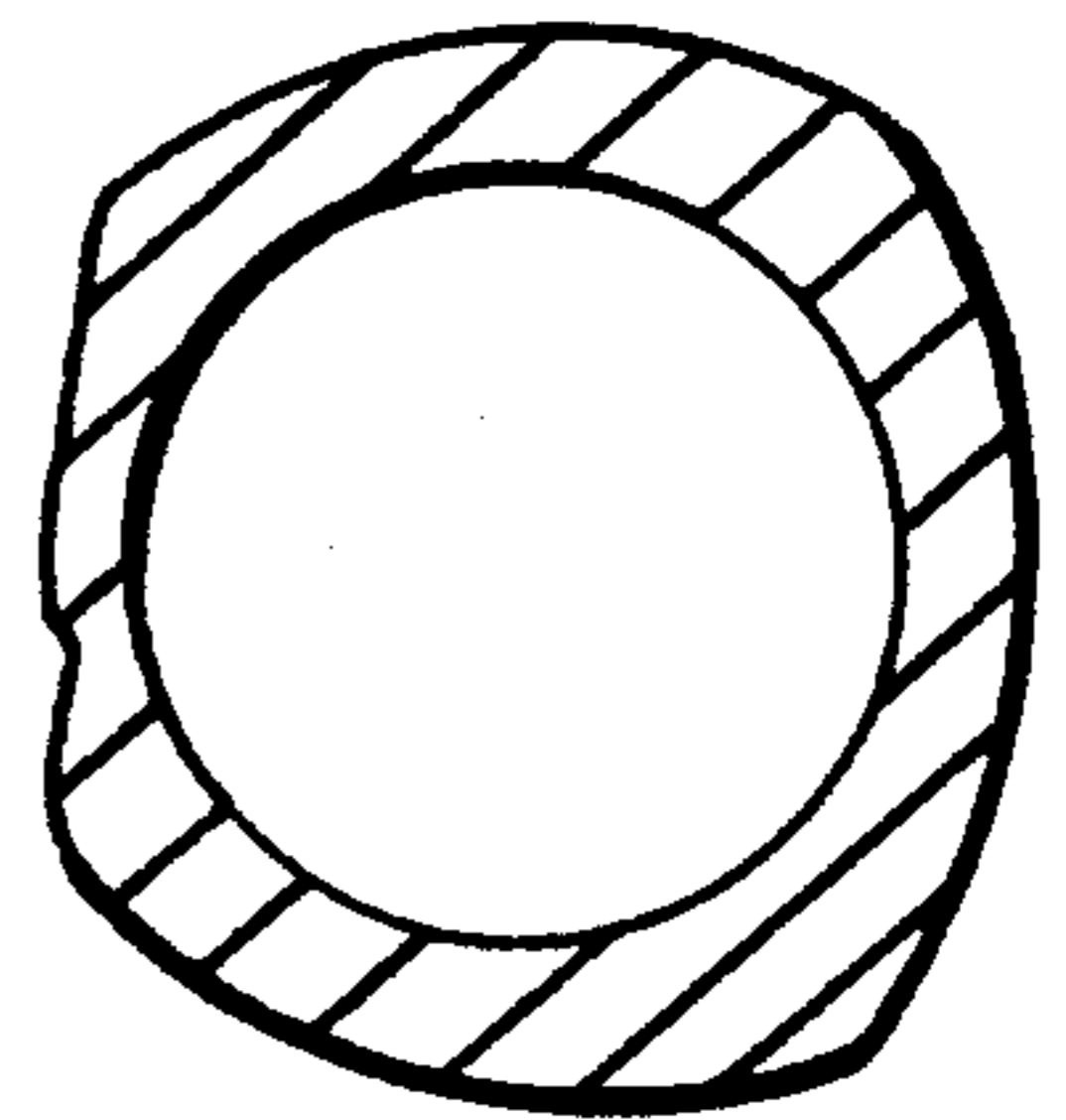
*FIG. 8*



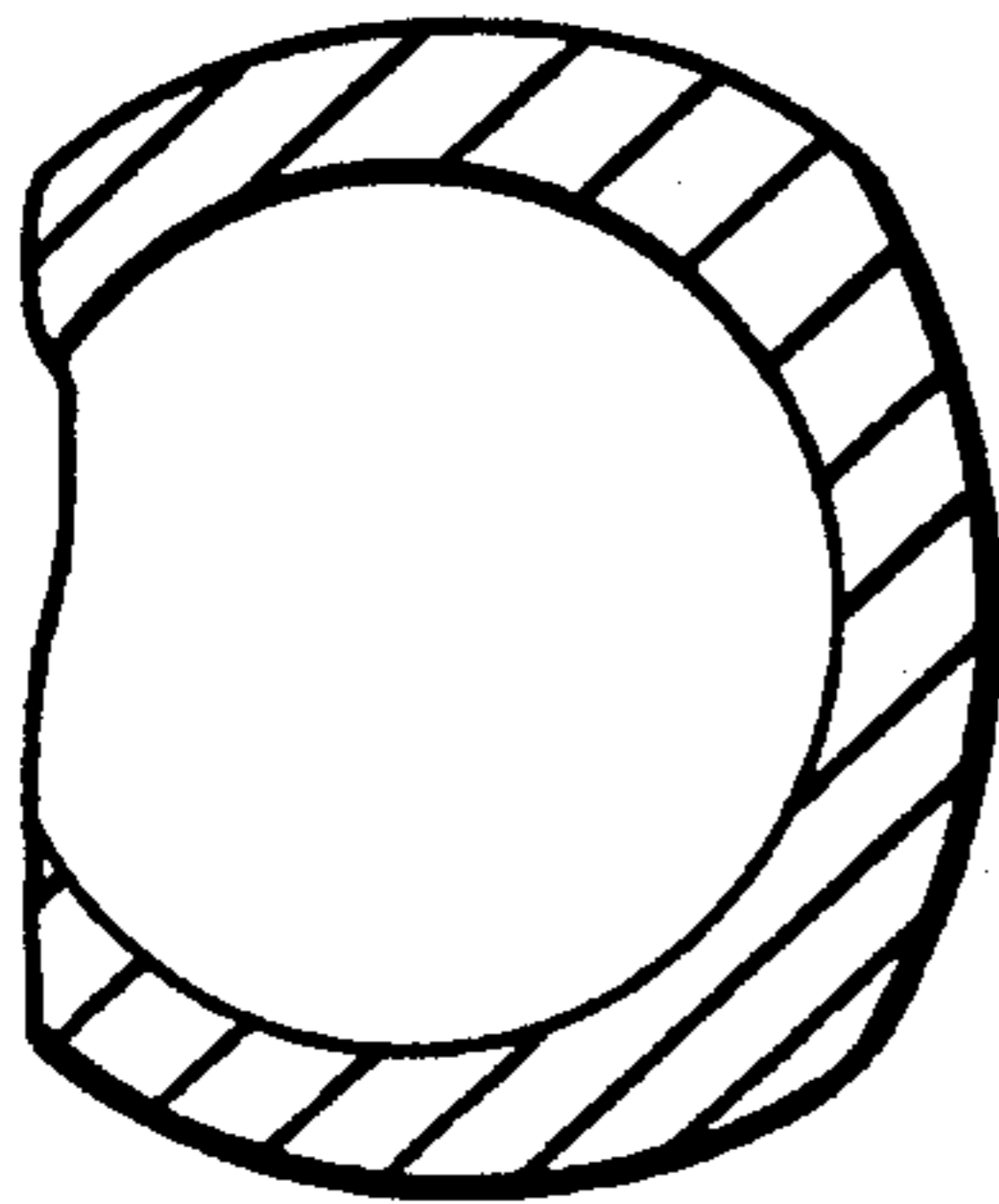
*FIG. 9*



*FIG. 10*



*FIG. 11*



*FIG. 12*

