



US00D337809S

United States Patent [19]

[11] Patent Number: **Des. 337,809**

Dietzen

[45] Date of Patent: **** Jul. 27, 1993**

[54] **BULK PRODUCTS CONTAINER**

[76] Inventor: **Gary H. Dietzen**, 110 Stonewood Cir., Lafayette, La. 70508

[**] Term: **14 Years**

[21] Appl. No.: **732,680**

[22] Filed: **Jul. 19, 1991**

[52] U.S. Cl. **D23/202**

[58] Field of Search **D23/200, 202-205; 220/1.5, 2, 561, 565; 206/503, 505, 511, 515; D34/28-29**

[56] **References Cited**

U.S. PATENT DOCUMENTS

D. 189,874	3/1961	Rich	D23/202
D. 216,511	1/1970	Coleman	D23/202
D. 249,043	8/1978	McMullen	D23/202 X
D. 296,027	5/1988	Dietzen	D23/202 X
4,287,997	9/1981	Rolfe et al.	220/1.5
4,838,443	6/1989	Cripe et al.	220/1.5 X

Primary Examiner—Wallace R. Burke
Assistant Examiner—M. H. Tung
Attorney, Agent, or Firm—Pravel, Hewitt, Kimball & Krieger

[57] **CLAIM**

The ornamental design for a bulk products container, as shown and described.

DESCRIPTION

FIG. 1 is a front view of the bulk products container, the opposite rear view being a mirror image of that shown;

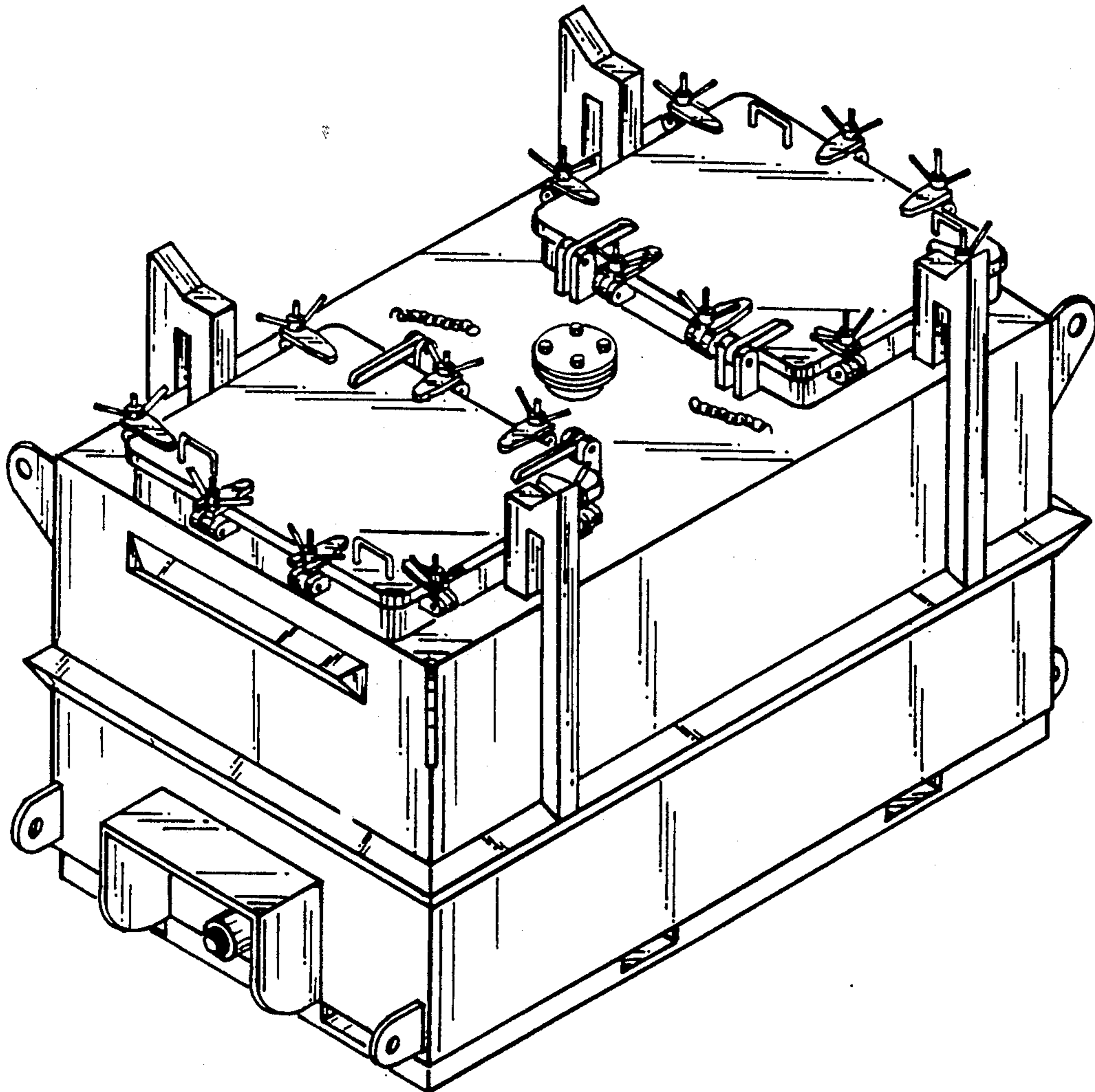
FIG. 2 is a bottom plan view of the bulk products container;

FIG. 3 is a top plan view of the bulk products container;

FIG. 4 is a right side view of the bulk products container;

FIG. 5 is a left side view of the bulk products container; and,

FIG. 6 is a perspective view of the bulk products container.



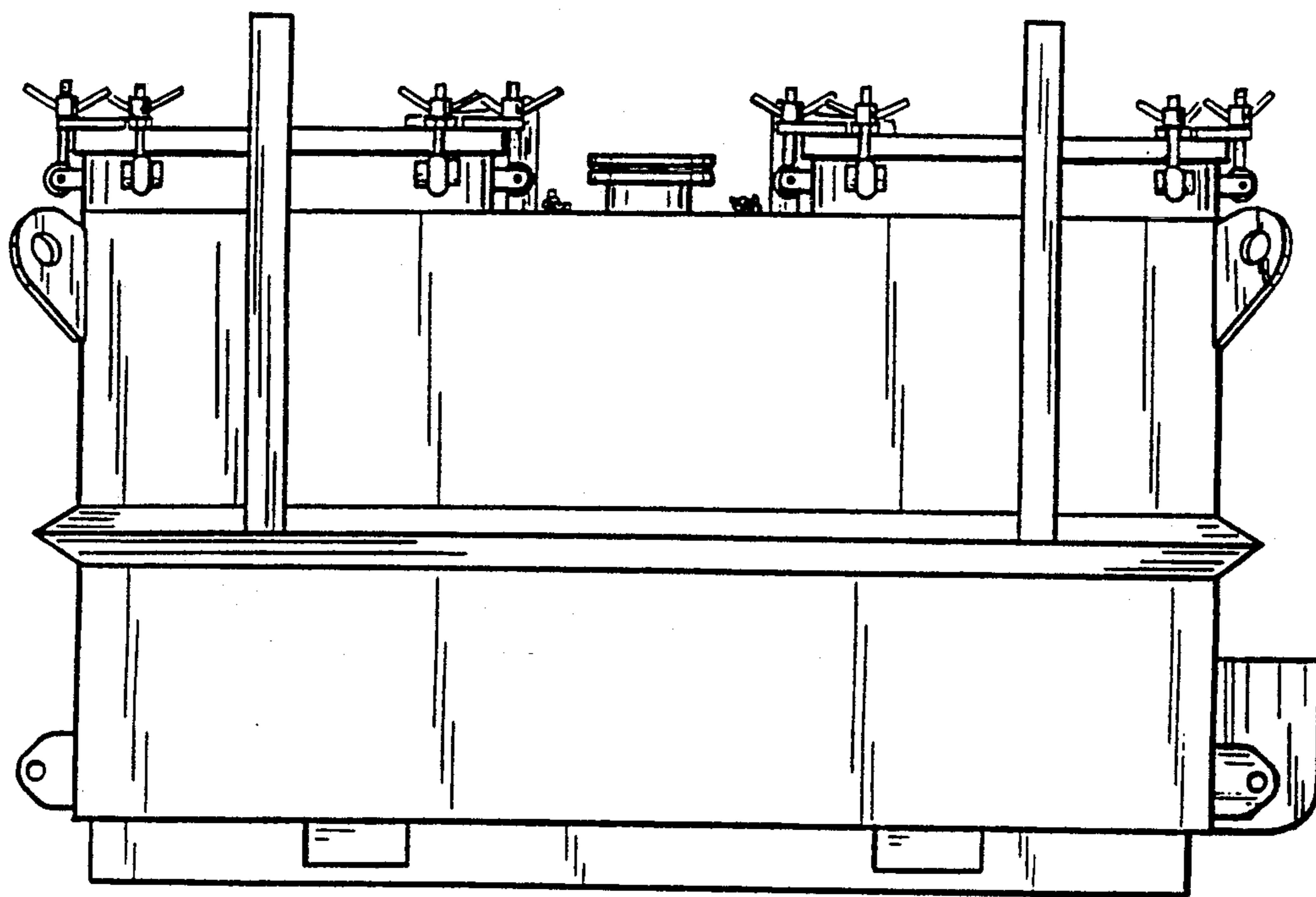


FIG. 1

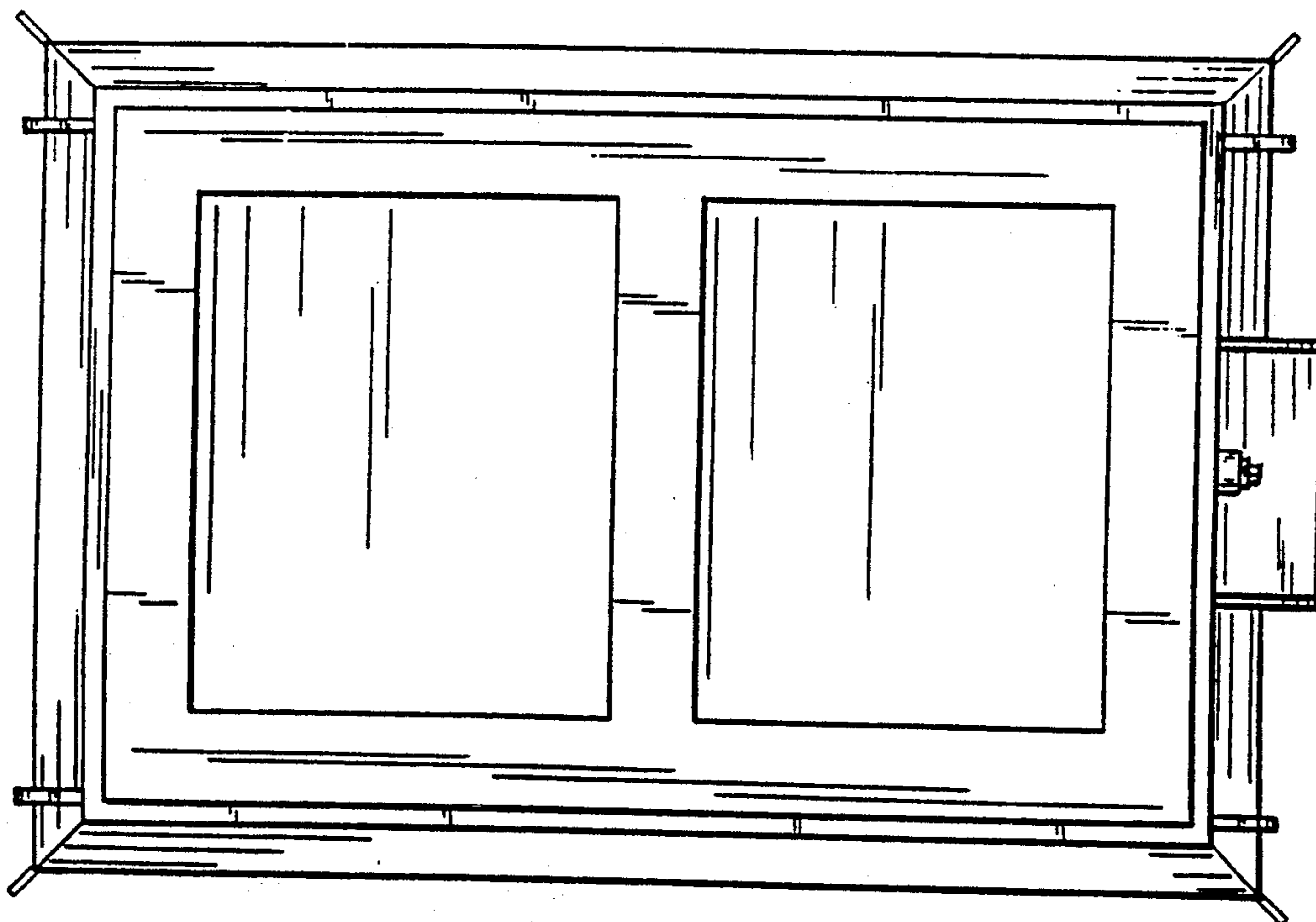


FIG. 2

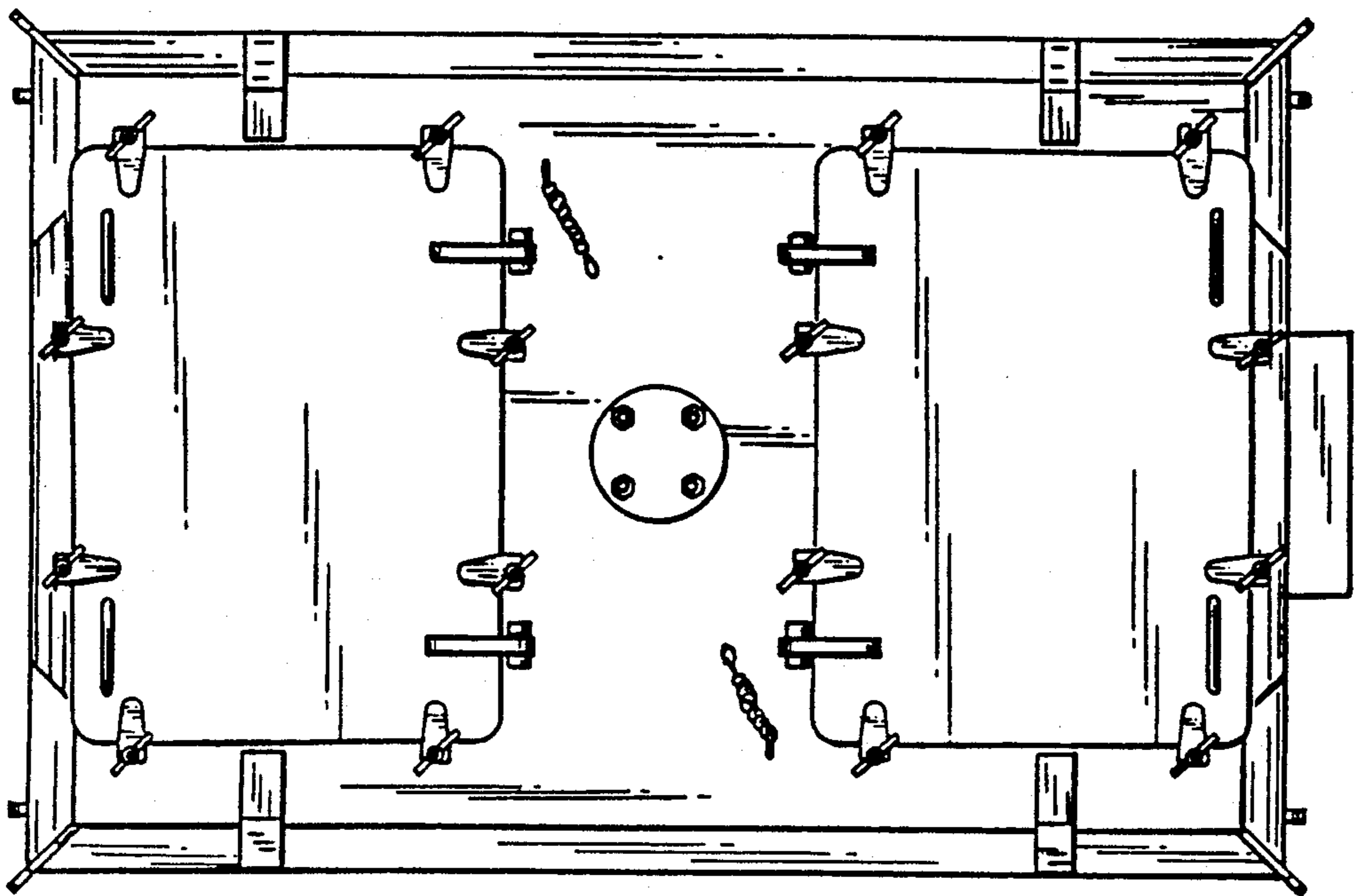


FIG. 3

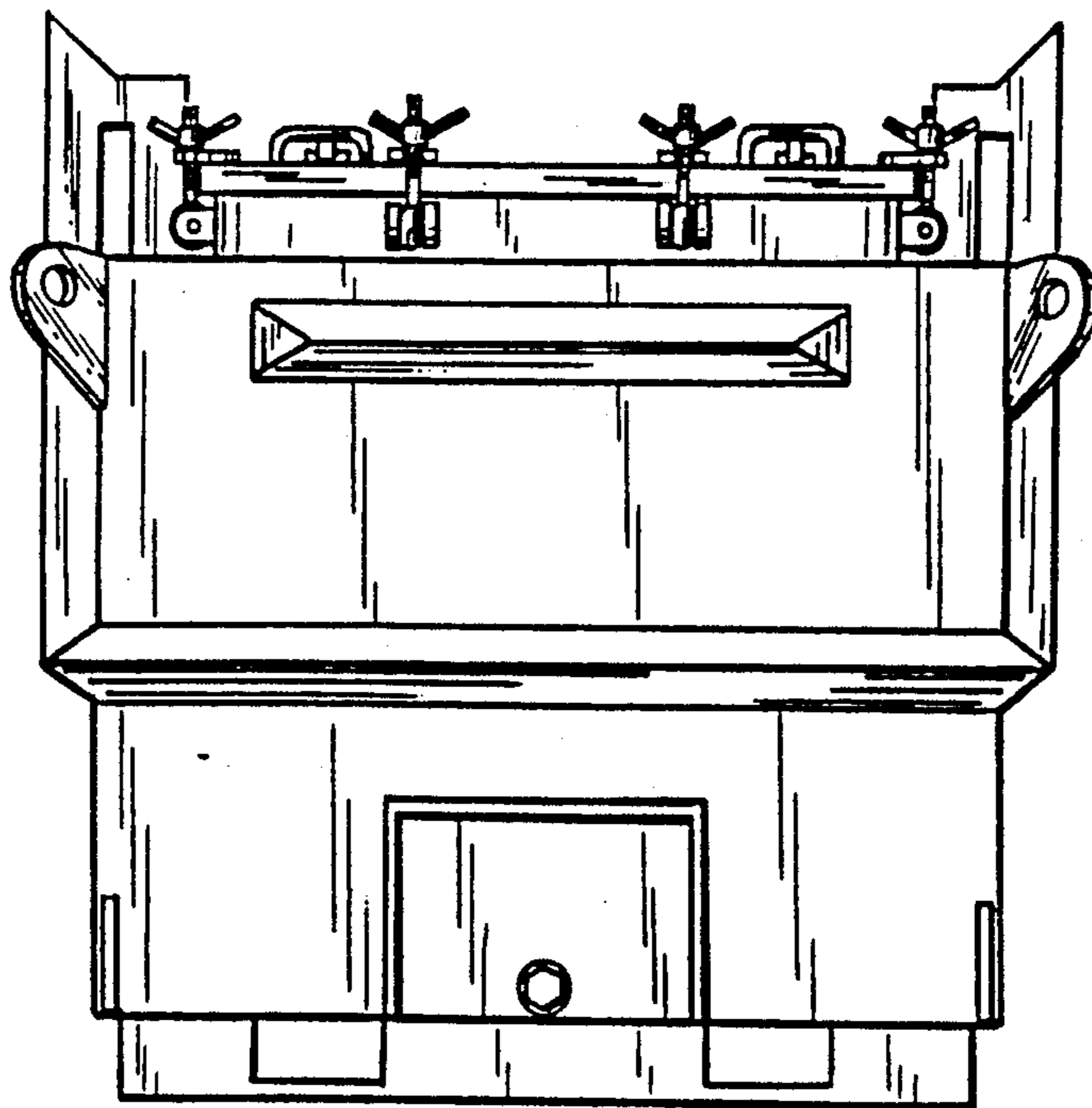


FIG. 4

FIG. 6

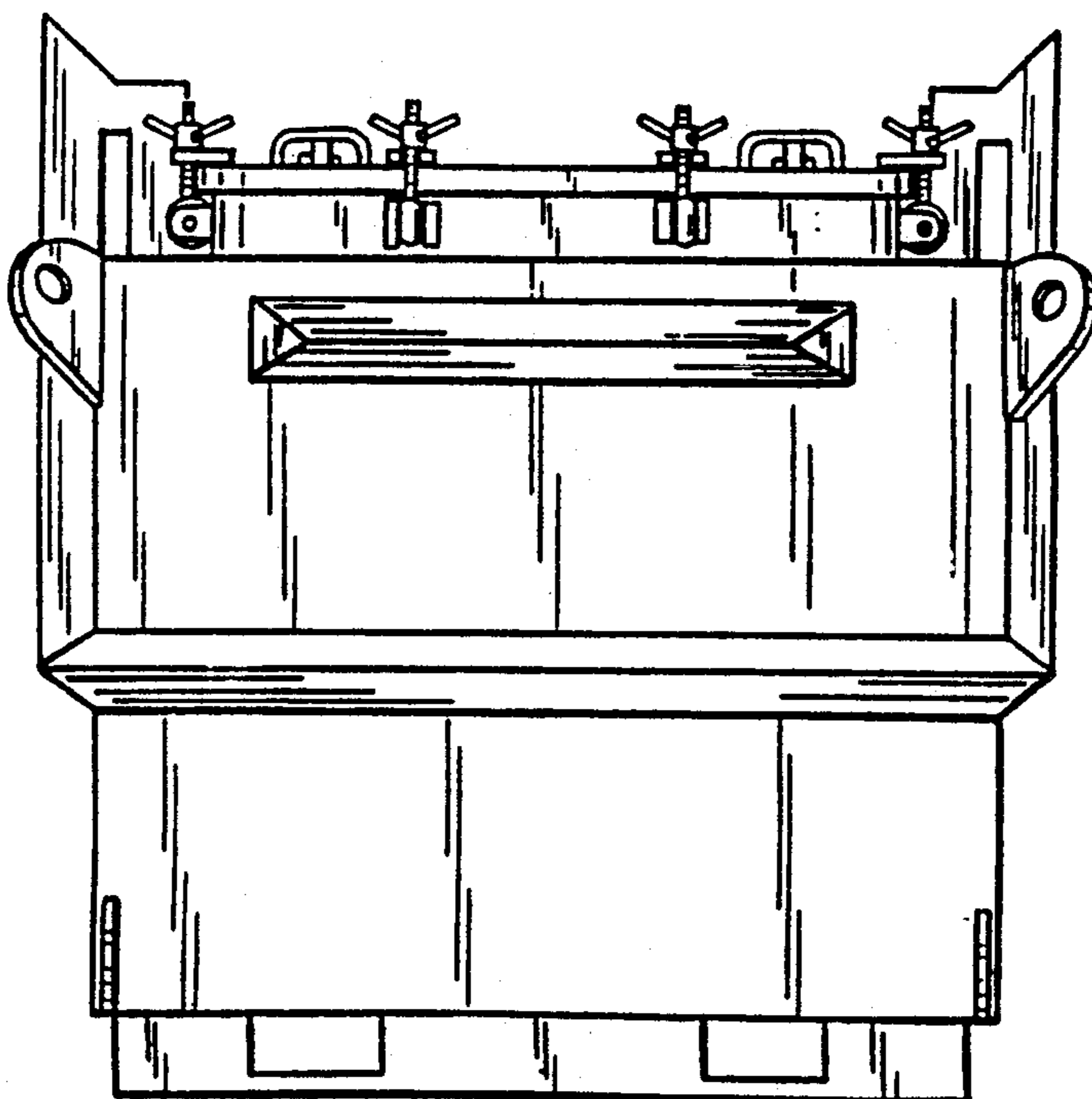
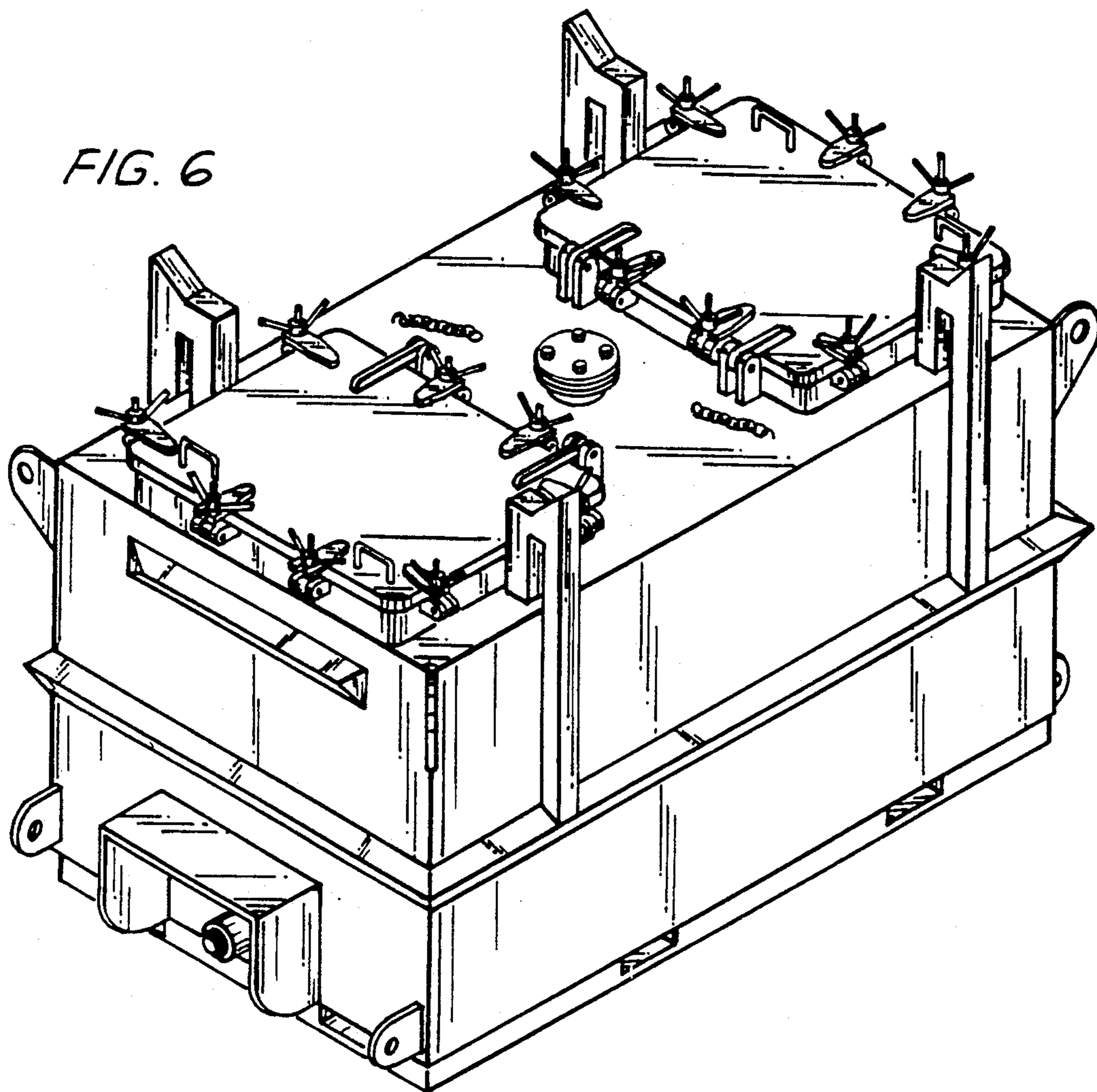


FIG. 5