



US00D337807S

United States Patent [19]

[11] Patent Number: **Des. 337,807**

Hoover

[45] Date of Patent: **** Jul. 27, 1993**

[54] TROLLING ROD HOLDER

4,614,323 9/1986 Bauer 248/538 X

[76] Inventor: **Robert J. Hoover**, 106 Bluebird La., Spartanburg, S.C. 29303

Primary Examiner—A. Hugo Word
Assistant Examiner—Doris V. Coles

[**] Term: **14 Years**

[57] **CLAIM**

[21] Appl. No.: **513,196**

The ornamental design of a trolling rod holder, as shown and described.

[22] Filed: **Apr. 23, 1990**

DESCRIPTION

[52] U.S. Cl. **D22/147**

[58] Field of Search **D22/147; 43/17, 21.1; 248/511-515, 520, 523, 538**

FIG. 1 is a left side elevational view of a trolling rod holder, showing my new design, the right side being a mirror image thereof;

FIG. 2 is a front elevational view thereof;

FIG. 3 is a bottom plan view thereof;

FIG. 4 is a top plan view thereof;

FIG. 5 is a rear elevational view thereof;

FIG. 6 is a left side elevational view of a second embodiment, the right side being a mirror image thereof;

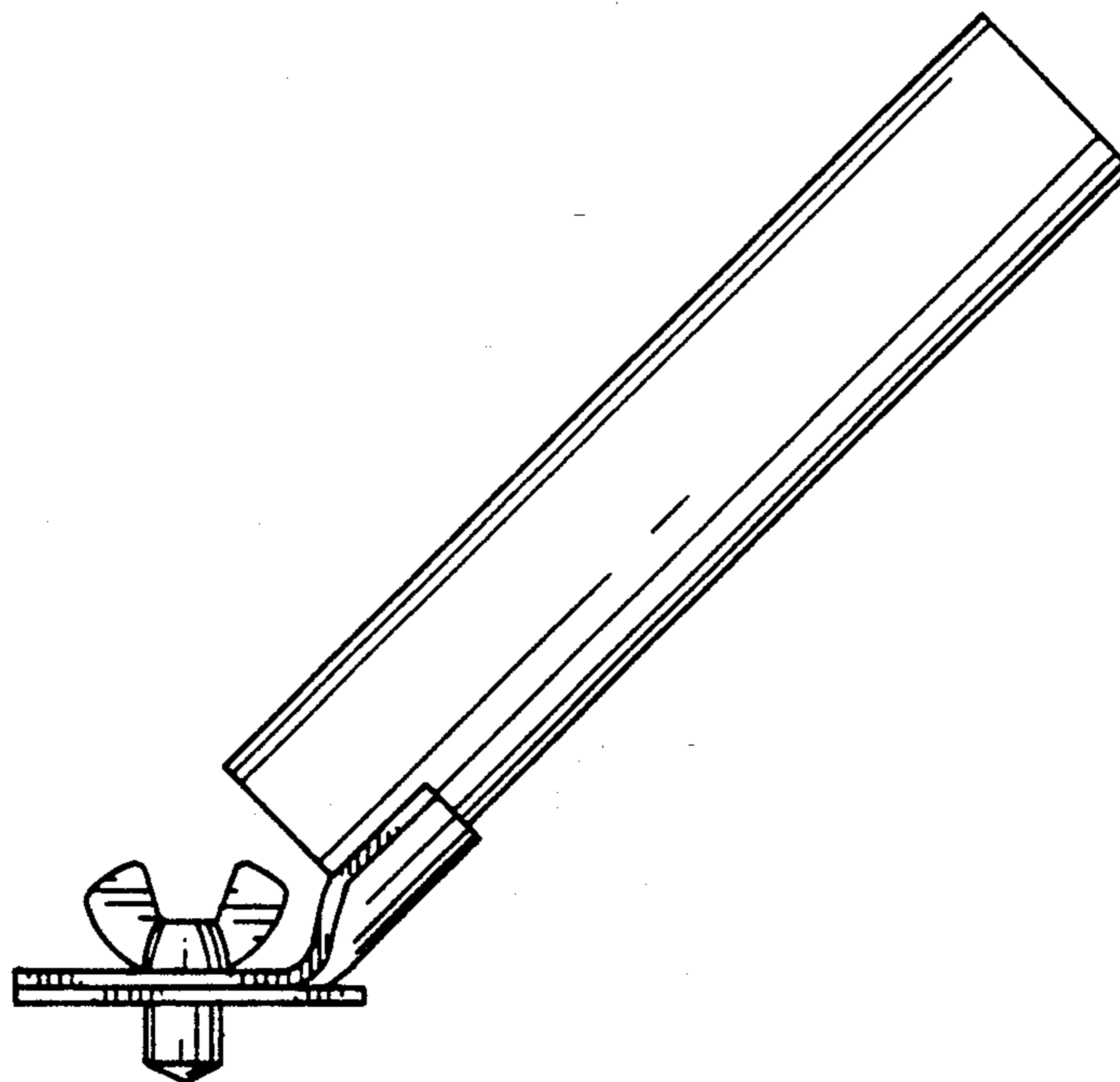
FIG. 7 is a top plan view thereof the bottom being the same as FIG. 3; and,

FIG. 8 is a rear elevational view thereof.

[56] **References Cited**

U.S. PATENT DOCUMENTS

D. 233,036	10/1974	Hoover, Jr.	D22/147
2,491,008	12/1949	Lake	D22/147
2,899,155	8/1959	Rogers	248/514
3,713,131	1/1973	Marshall	43/17
4,093,171	6/1978	Mengo, Sr.	D22/147 X
4,468,878	9/1984	Maher	D22/147 X



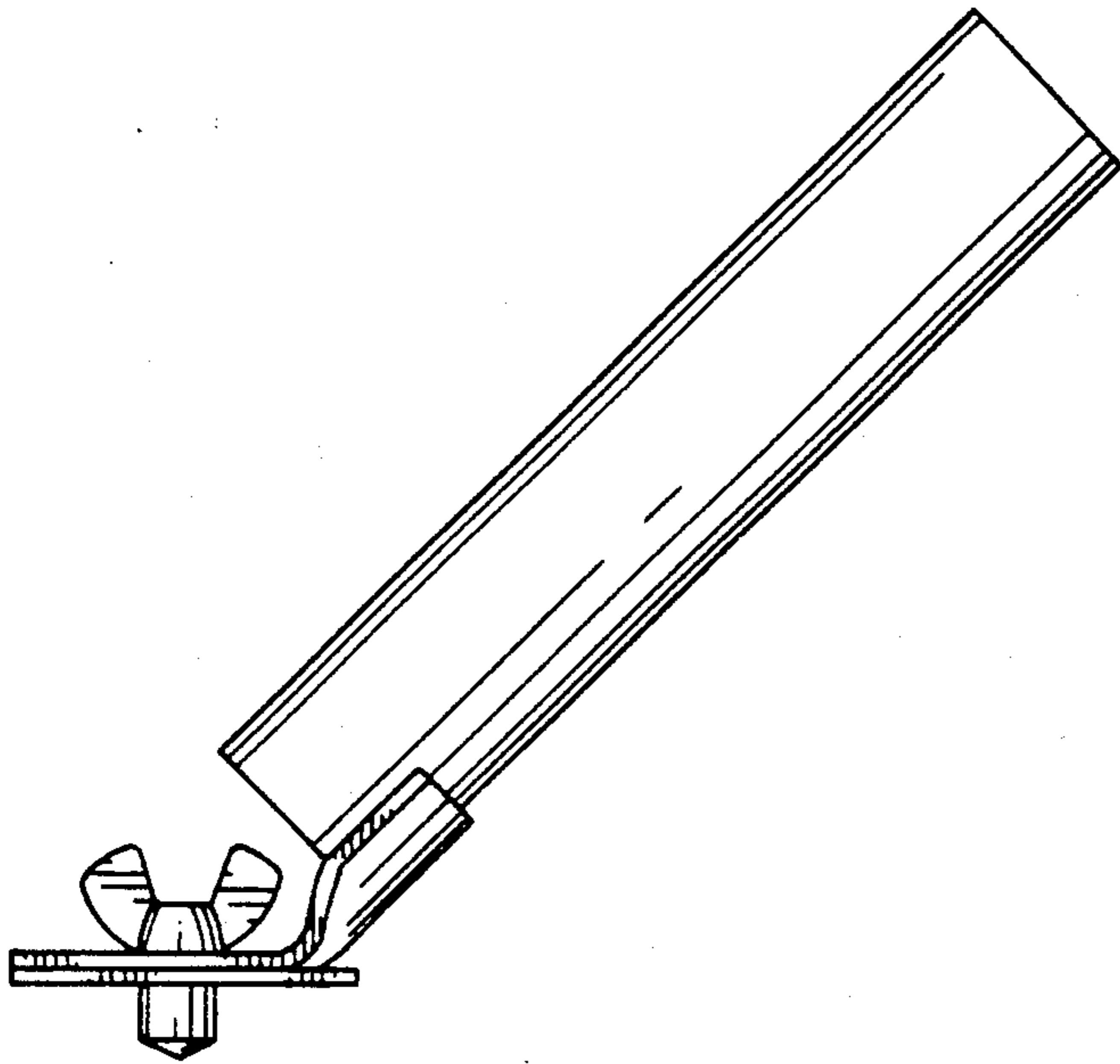


FIG. 1

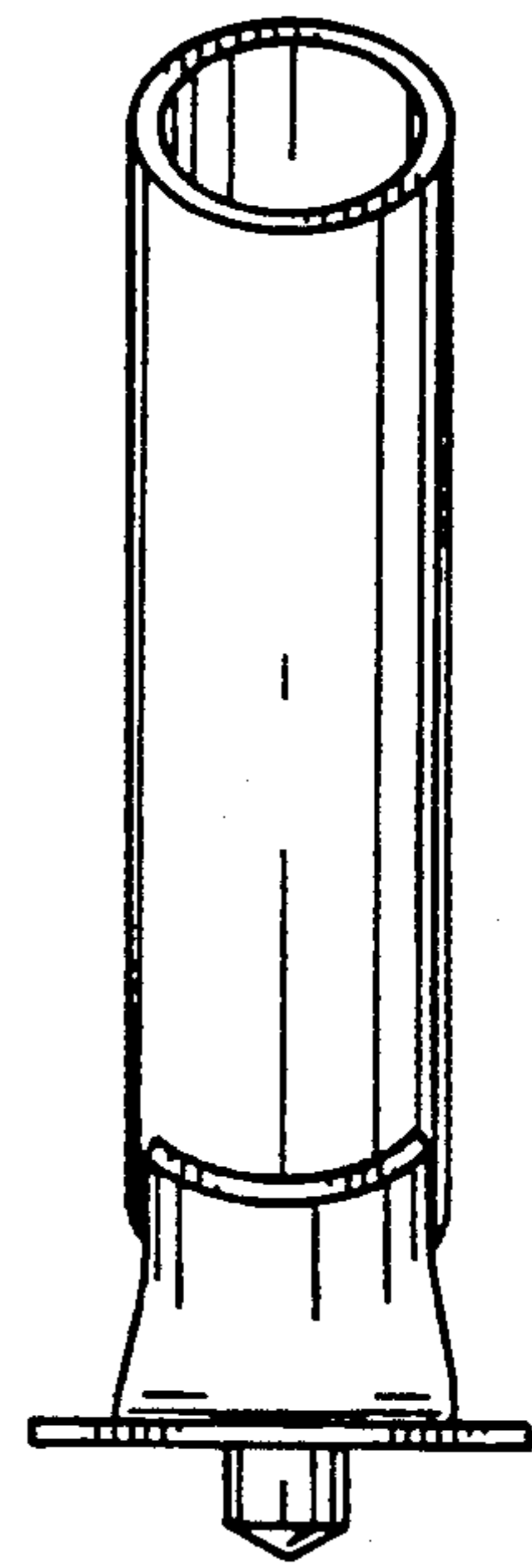


FIG. 2

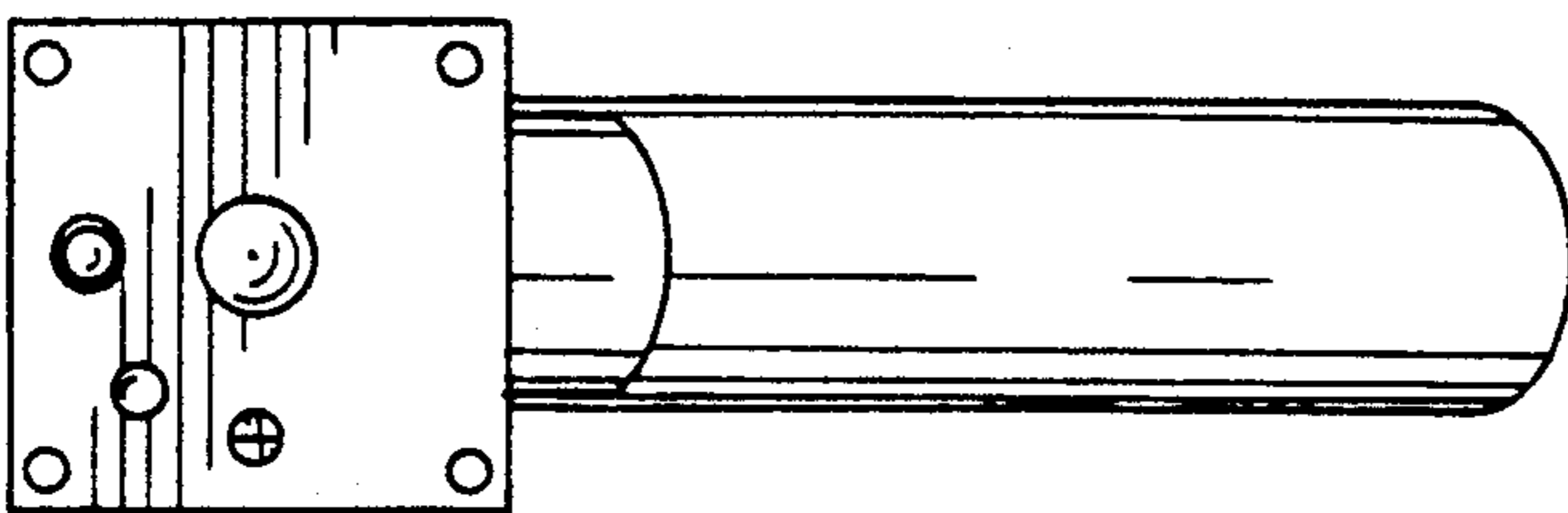


FIG. 3

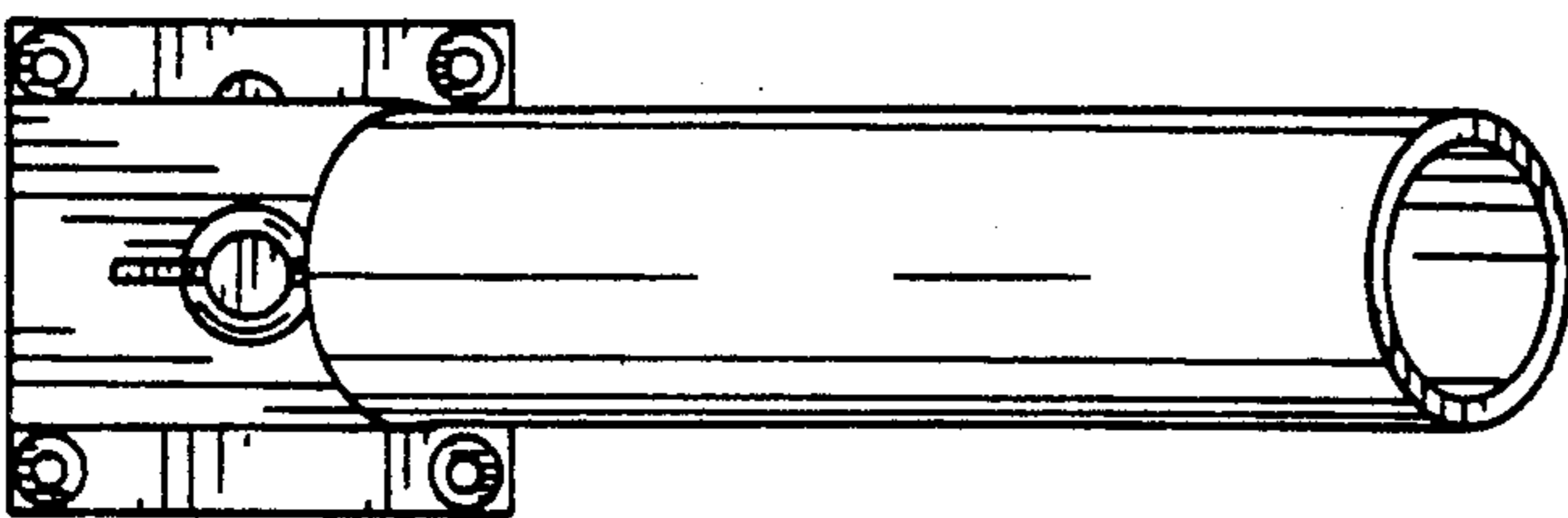


FIG. 4

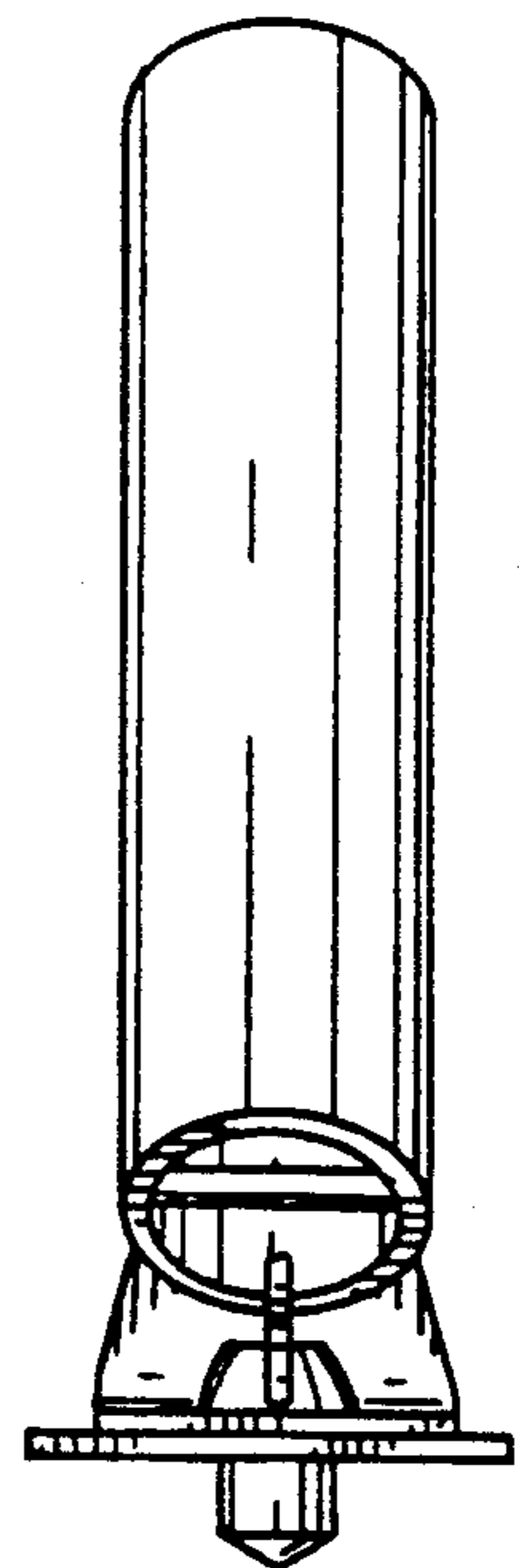


FIG. 5

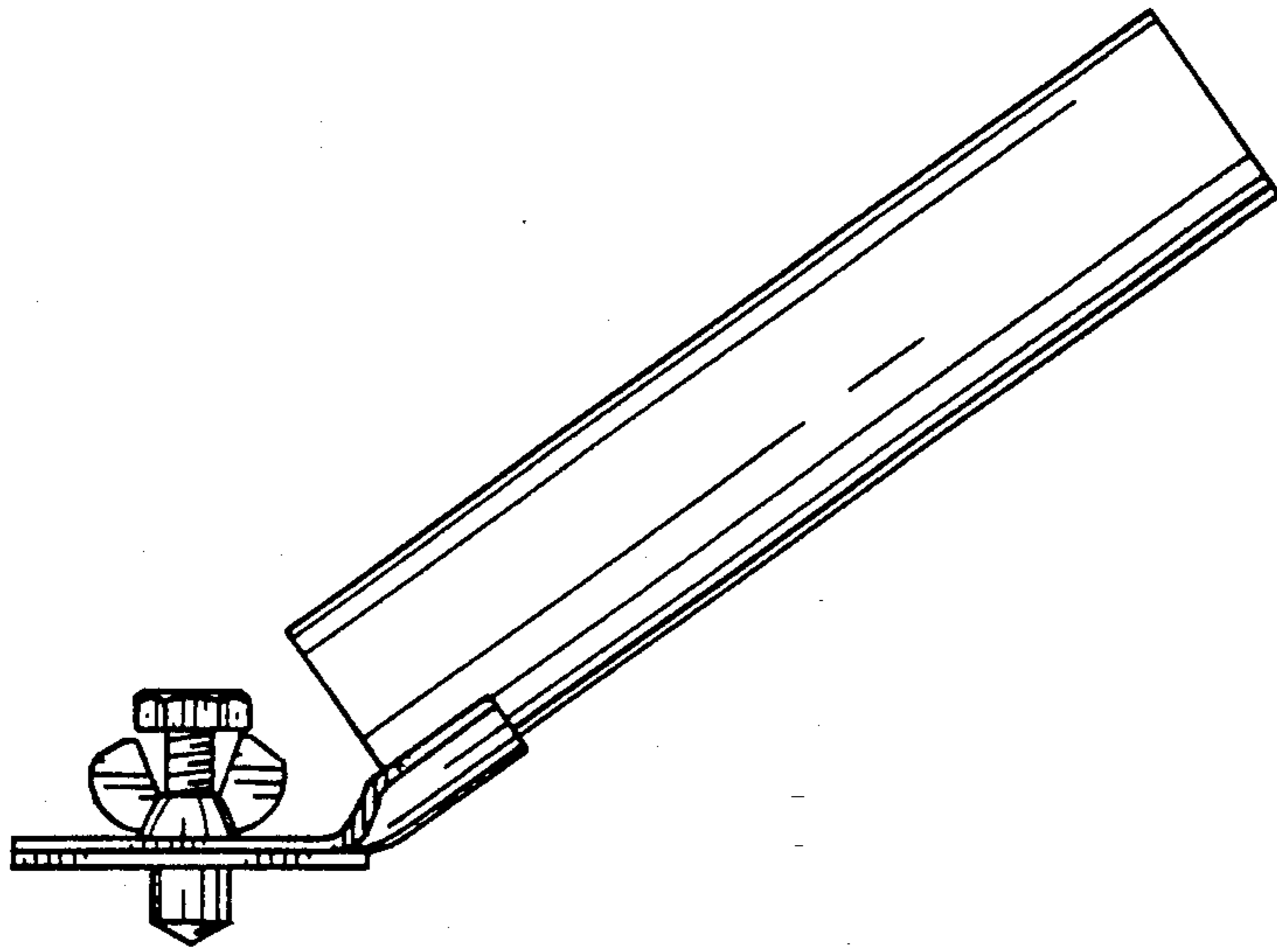


FIG. 6

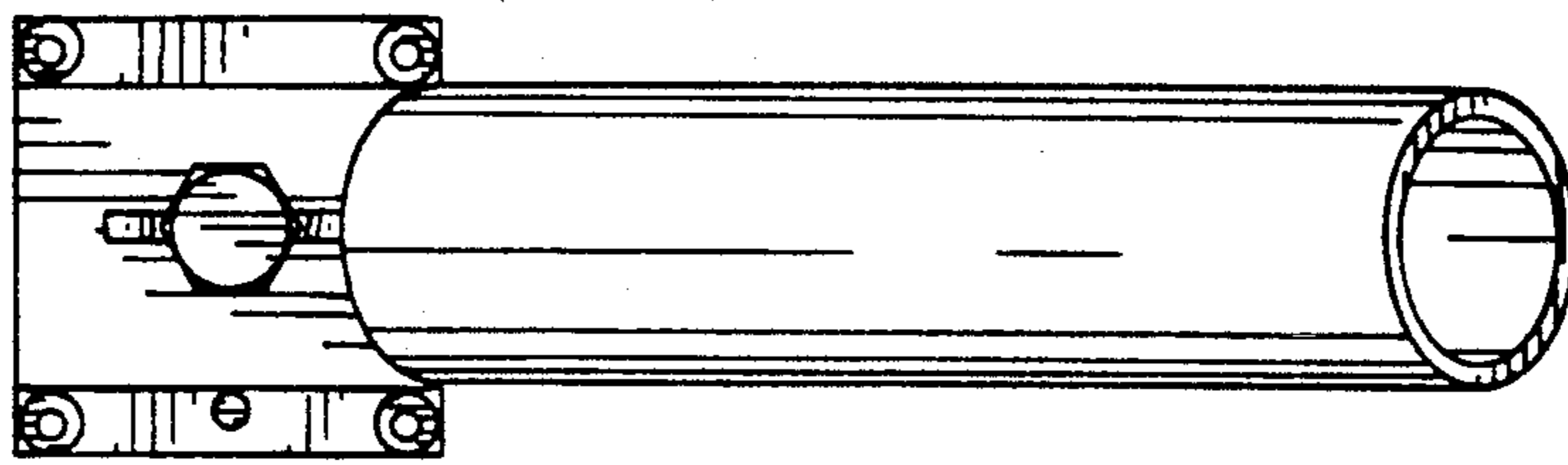


FIG. 7

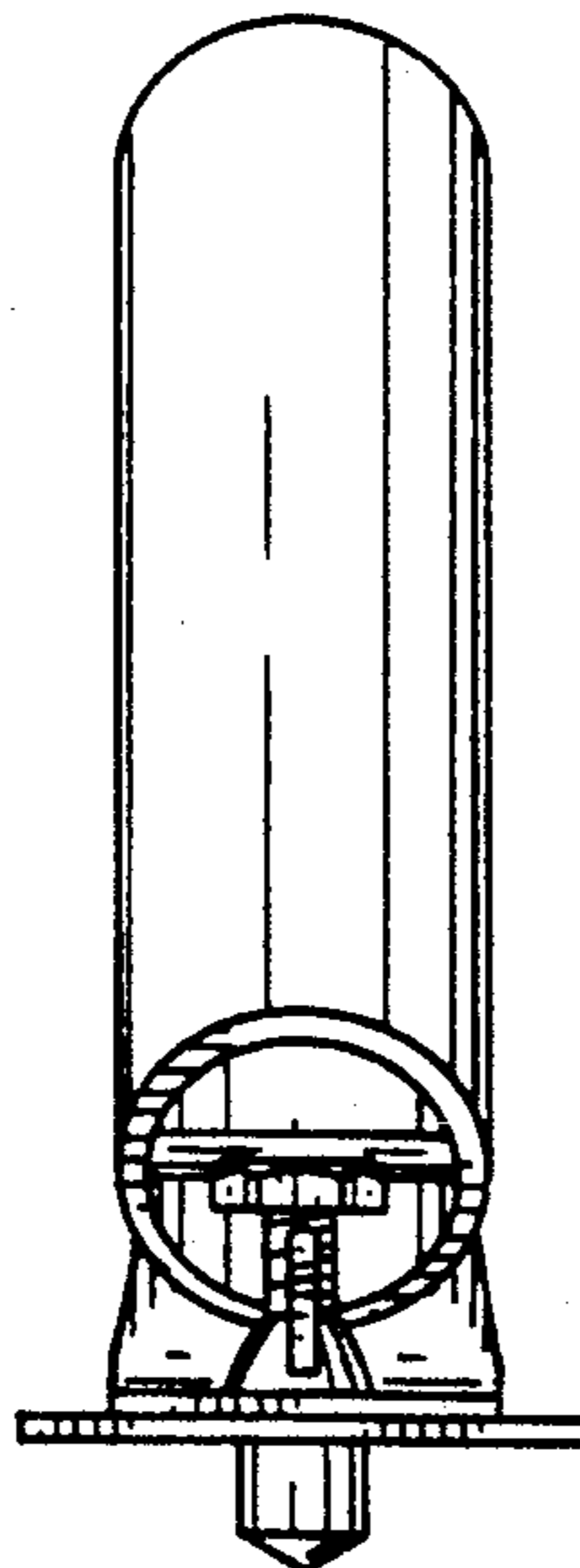


FIG. 8