



US00D337803S

# United States Patent [19]

[11] Patent Number: **Des. 337,803**

Sillers

[45] Date of Patent: **\*\* Jul. 27, 1993**

[54] CLUB HEAD FOR GOLF PUTTER

[76] Inventor: **Robert A. Silbers, 24045 Avenida Entrana, Valencia, Calif. 91255**

[\*\*] Term: **14 Years**

[21] Appl. No.: **714,077**

[22] Filed: **Jun. 11, 1991**

[52] U.S. Cl. .... **D21/219**

[58] Field of Search ..... **D21/214-220; 273/164.1, 167-175**

3,430,957	3/1969	Andis .....	273/80.1
3,966,210	6/1976	Rozmus .....	273/169
3,989,257	11/1976	Barr .....	273/175
4,174,108	11/1979	Reinholz .....	273/79
4,253,667	3/1981	Clark et al. ....	273/168
4,741,535	5/1988	Leonhardt .....	273/164
4,756,535	7/1988	Bradley .....	273/183
4,778,180	10/1988	Guenther .....	273/79

*Primary Examiner*—Melvin B. Feifer  
*Attorney, Agent, or Firm*—Christie, Parker & Hale

## [57] CLAIM

The ornamental design for club head for golf putter, as shown and described.

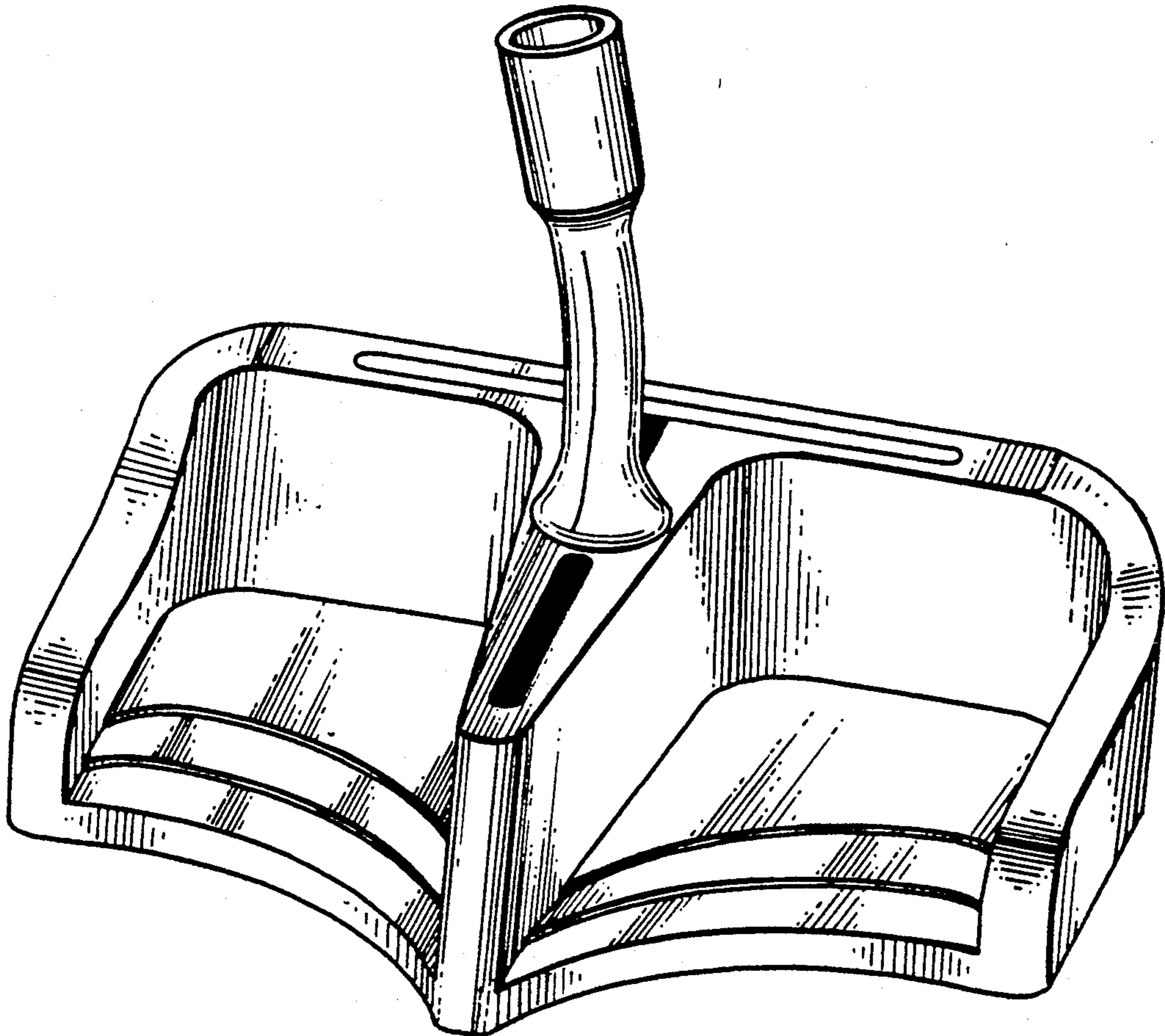
## [56] References Cited

### U.S. PATENT DOCUMENTS

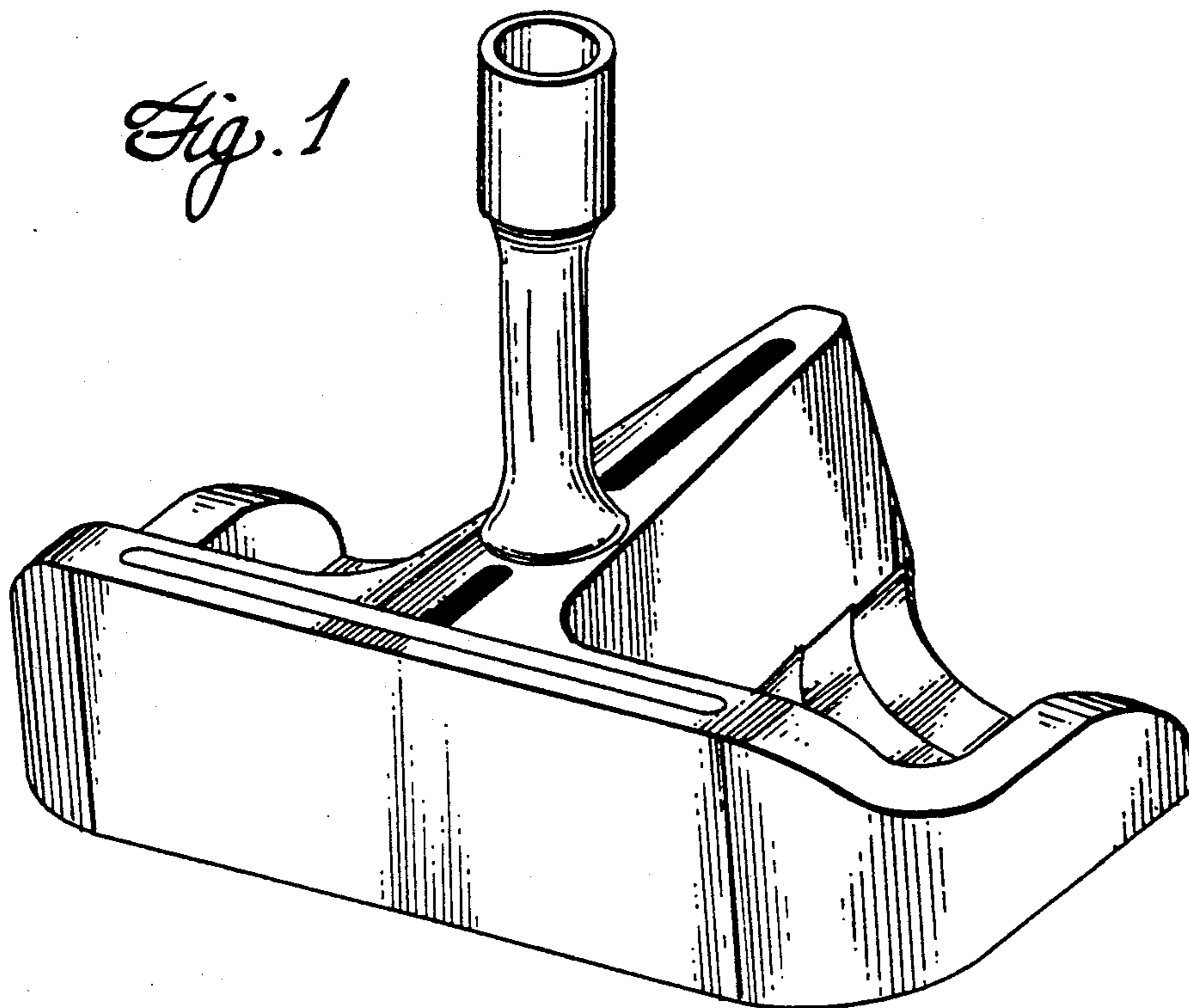
D. 248,050	5/1978	Muehl .....	D21/219
D. 251,310	3/1979	Pavlin .....	D21/219
D. 323,867	2/1992	Rizzoto .....	D21/219
1,454,267	5/1923	Challis et al. ....	273/80.1
1,550,665	8/1925	Barnes .....	273/80.1
1,599,336	9/1926	Lindgren .....	273/80.1
1,657,972	1/1928	Rowe .....	273/80.1
2,336,405	12/1943	Kent .....	273/79
2,932,515	4/1960	May .....	273/80.1
3,096,982	7/1963	Bassin .....	273/80.1
3,214,170	10/1965	Warnock .....	273/80.1

## DESCRIPTION

FIG. 1 is a pictorial view showing the upper and front ball-striking surface of the club head;  
FIG. 2 is a pictorial view of the upper and rear surfaces of the club head;  
FIG. 3 is a top view of the club head;  
FIG. 4 is a front view on line 4—4 of FIG. 3;  
FIG. 5 is a rear view on line 5—5 of FIG. 3;  
FIG. 6 is a side view on line 6—6 of FIG. 3;  
FIG. 7 is a side view on line 7—7 of FIG. 3; and,  
FIG. 8 is a bottom view of the club head.



*Fig. 1*



*Fig. 2*

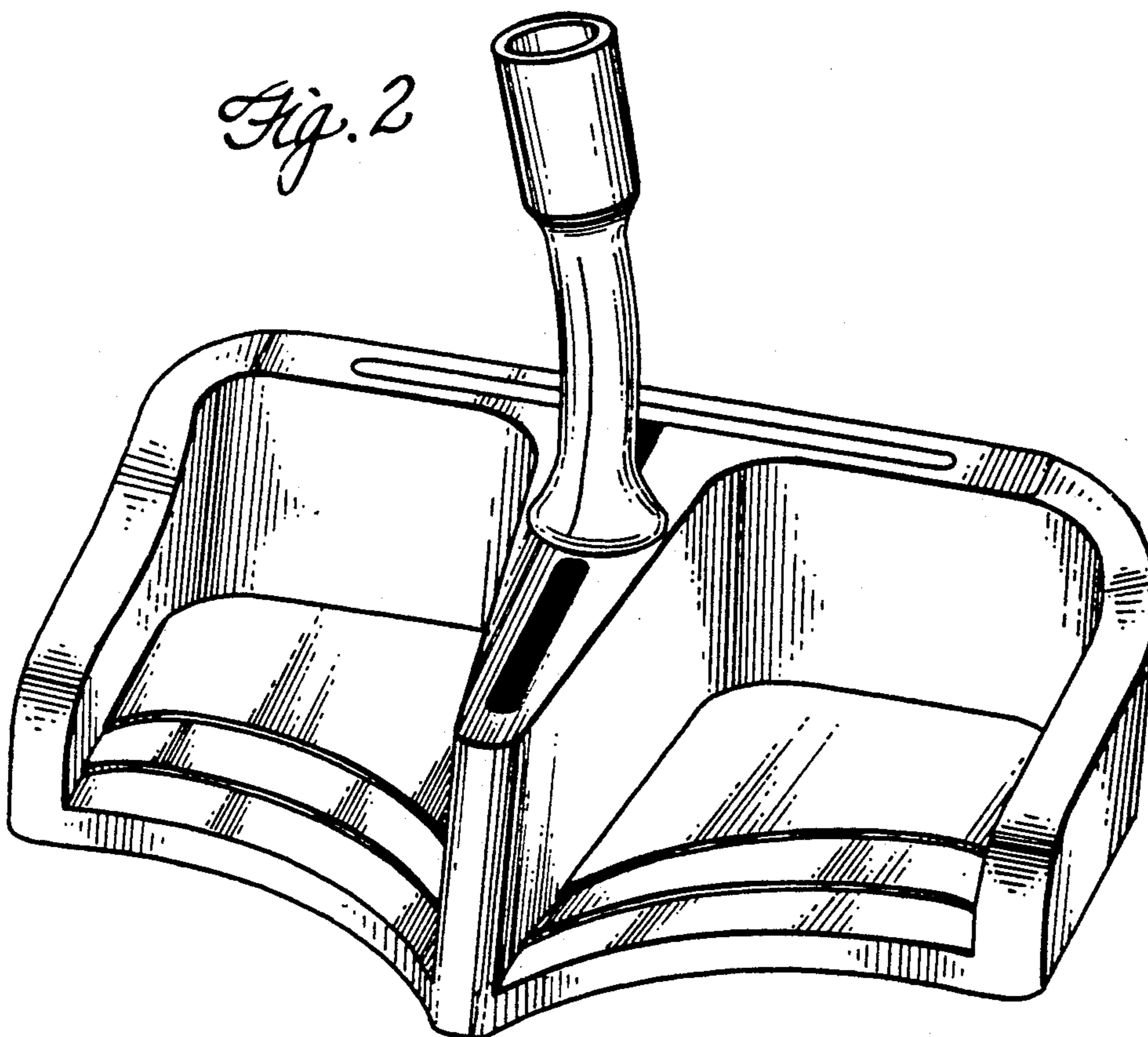


Fig. 3

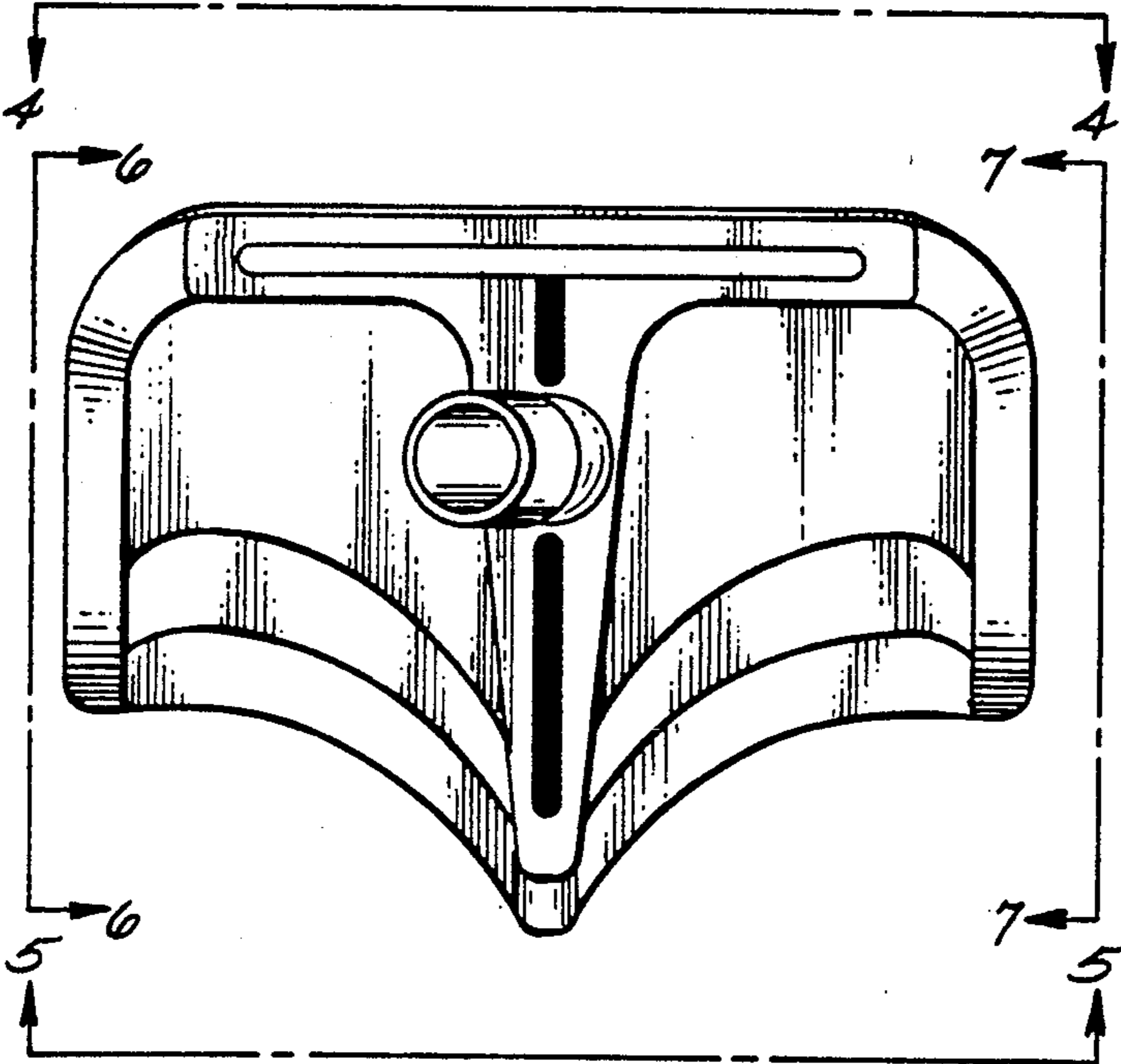
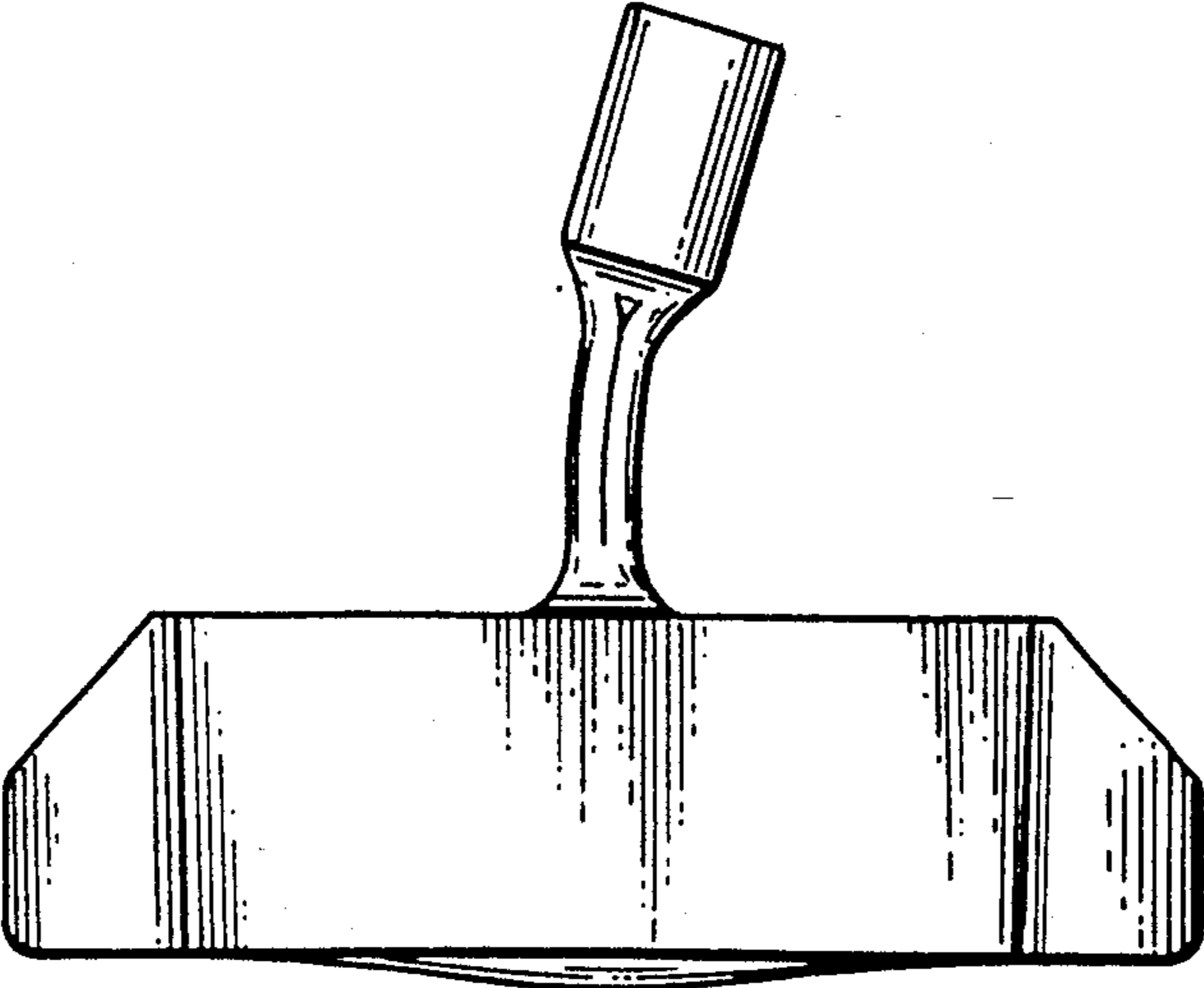
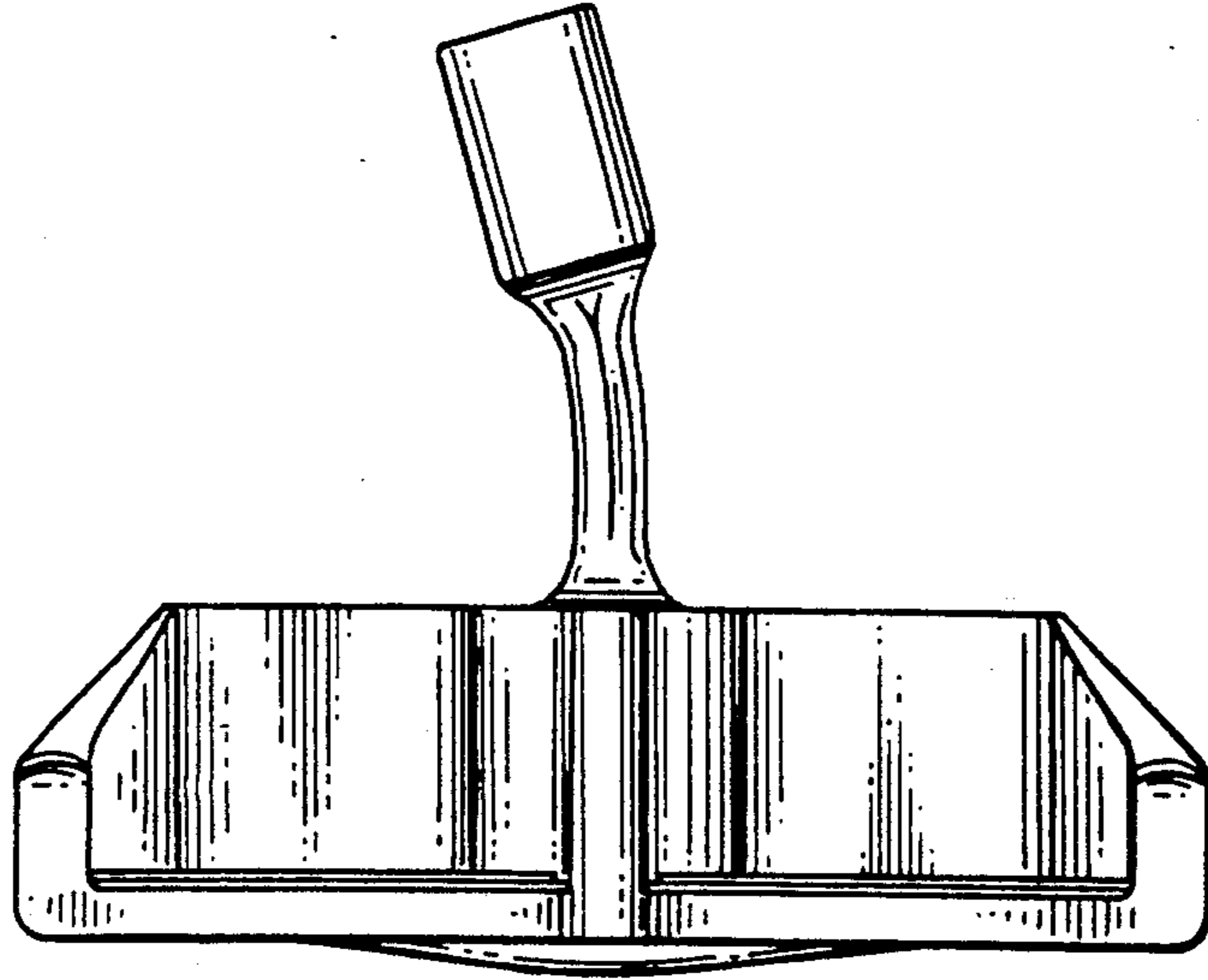


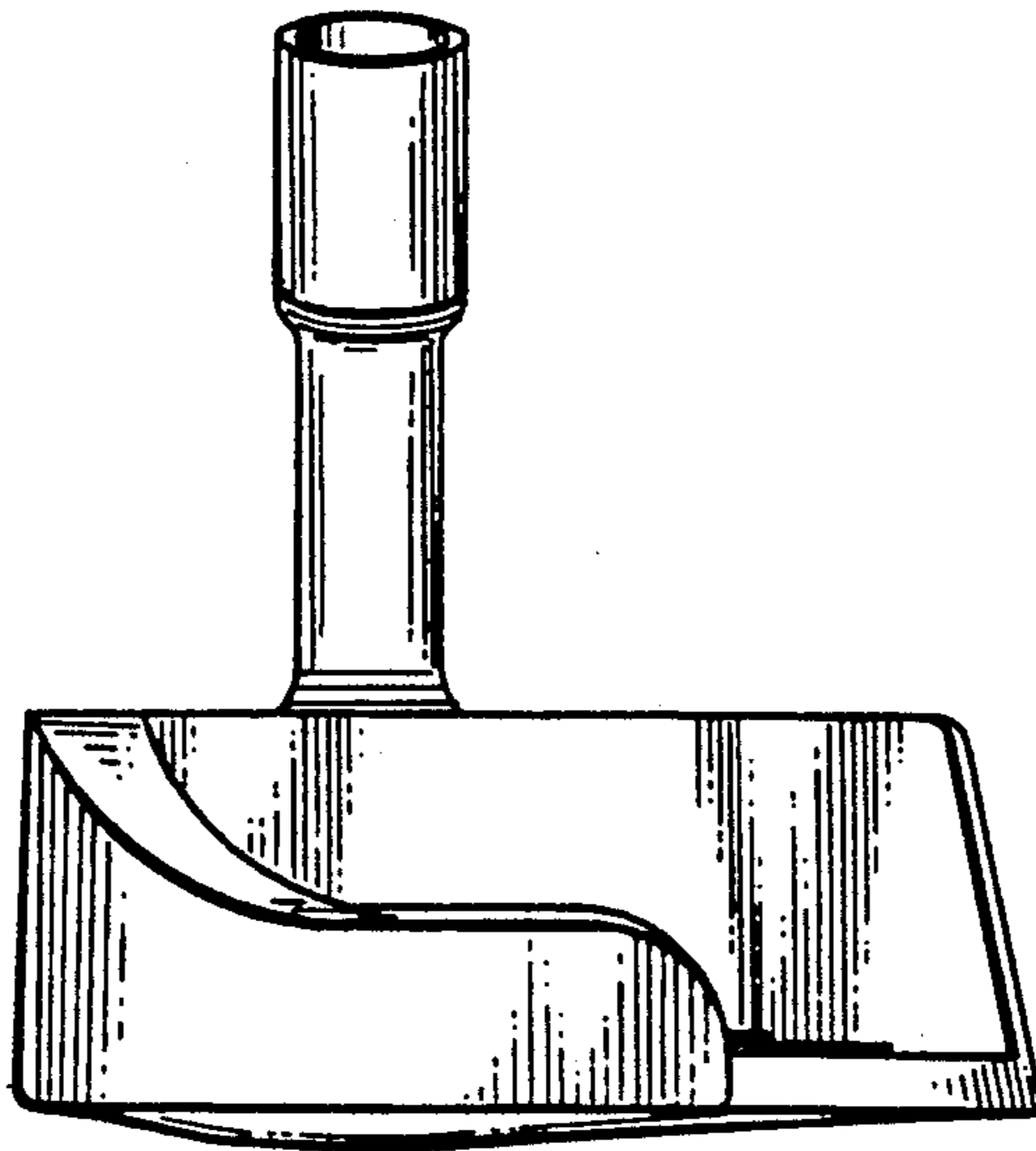
Fig. 4



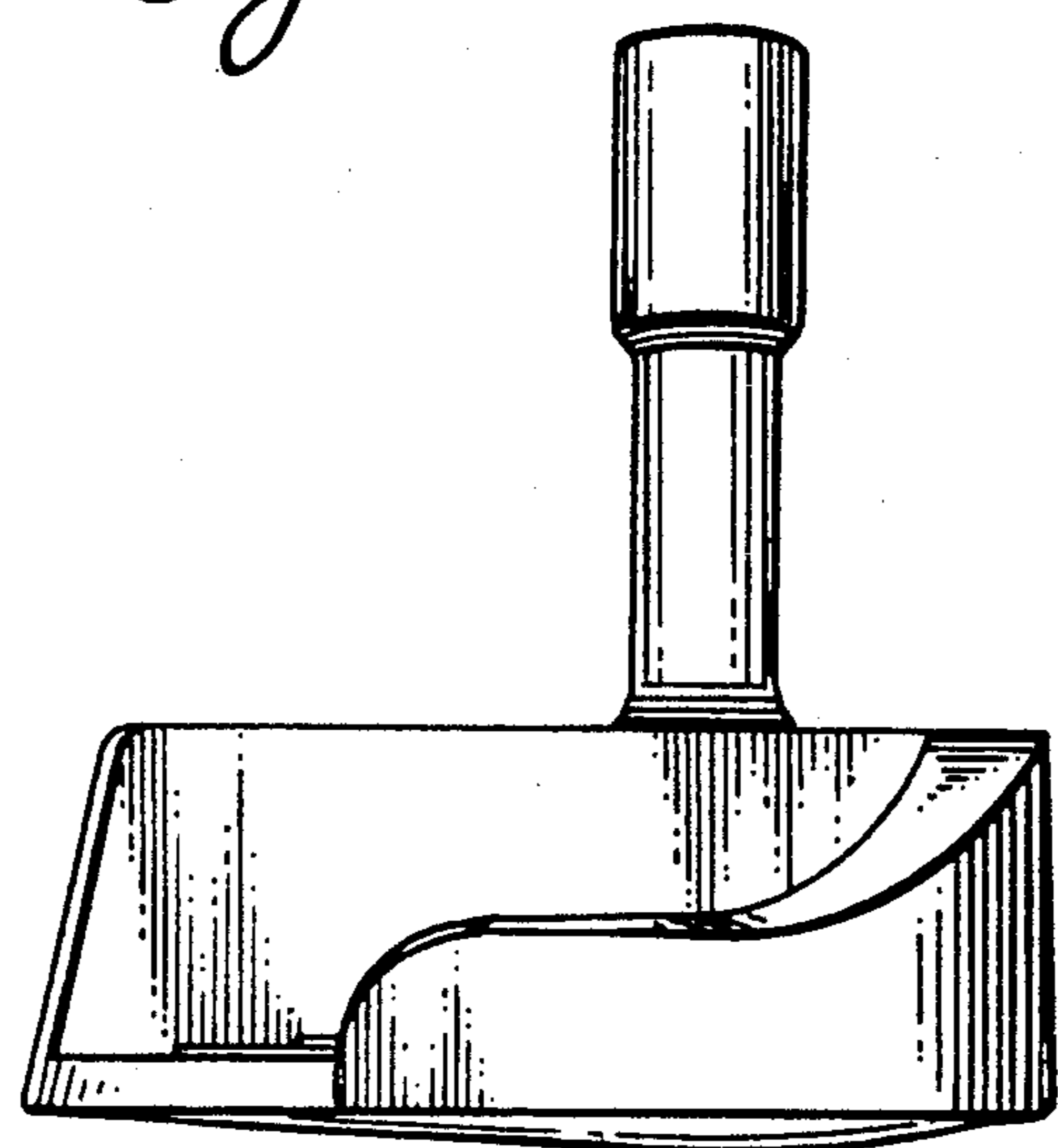
*Fig. 5*



*Fig. 6*



*Fig. 7*



*Fig. 8*

