



US00D337797S

United States Patent [19]

[11] Patent Number: **Des. 337,797**

D'Andrade

[45] Date of Patent: **** Jul. 27, 1993**

[54] **PUMP WATER GUN**

5,074,437 12/1991 D'Andrade 446/473
5,150,819 9/1992 Johnson 446/473

[76] Inventor: **Bruce M. D'Andrade, 3 Ten Eyck Rd., Whitehouse Sta., N.J. 08889**

Primary Examiner—Bernard Ansher
Assistant Examiner—R. Barkai
Attorney, Agent, or Firm—Kenneth P. Glynn

[**] Term: **14 Years**

[21] Appl. No.: **864,971**

[57] **CLAIM**

[22] Filed: **Apr. 7, 1992**

The ornamental design for a pump water gun, as shown and described.

[52] U.S. Cl. **D21/147**

[58] Field of Search **D21/145, 146, 147; D23/225; 446/267, 473; 222/78, 79; 239/211, 237, 329, 373**

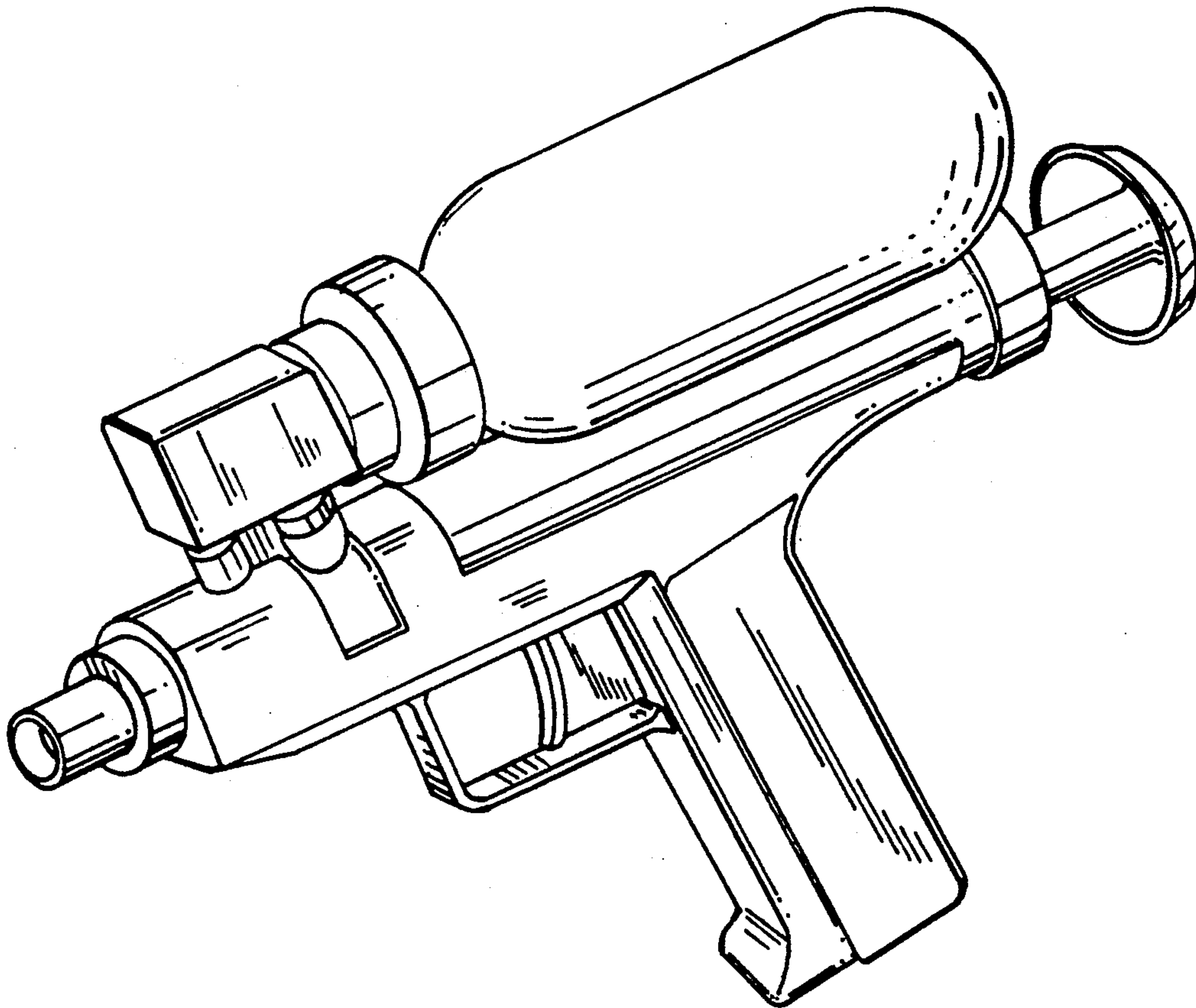
DESCRIPTION

[56] **References Cited**

U.S. PATENT DOCUMENTS

D. 318,309 7/1991 D'Andrade D21/147
2,376,662 5/1945 Cohen 222/79
4,257,460 3/1981 Parany 446/473

FIG. 1 is a front elevational of a pump water gun showing my new design;
FIG. 2 is a rear elevational view thereof;
FIG. 3 is a left side elevational view thereof;
FIG. 4 is a right side elevational view thereof;
FIG. 5 is a top plan view thereof;
FIG. 6 is a bottom plan view thereof; and,
FIG. 7 is a perspective view thereof.



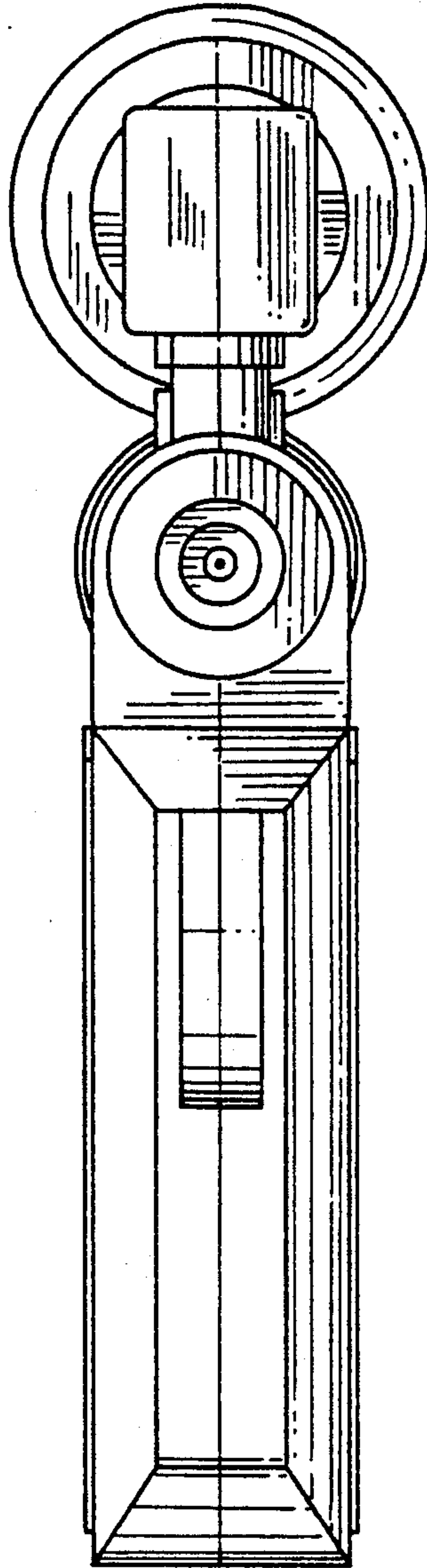


FIG. 1

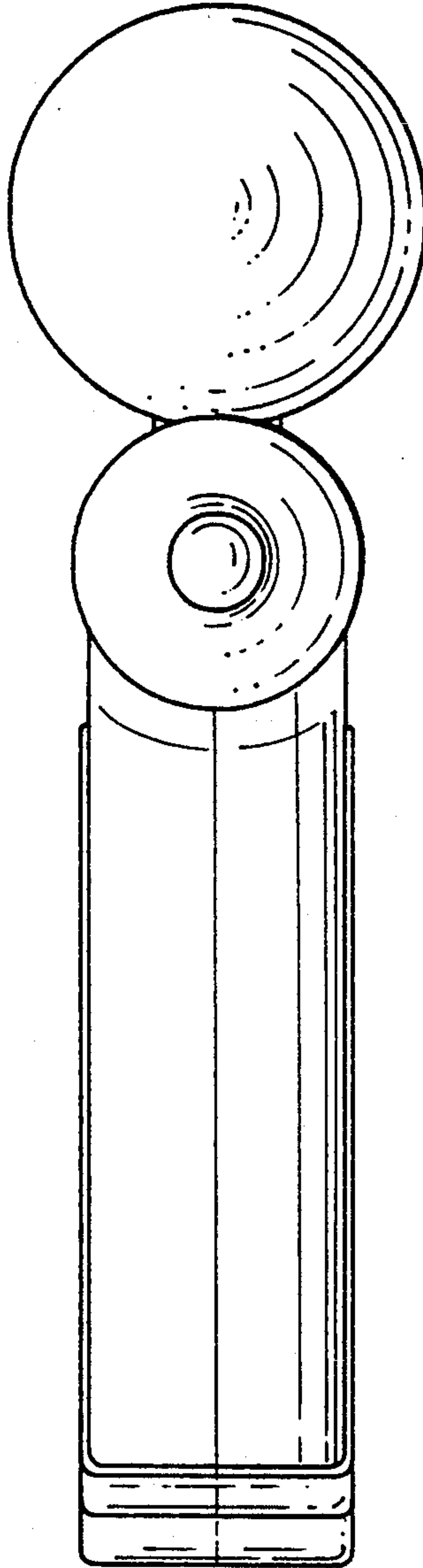


FIG. 2

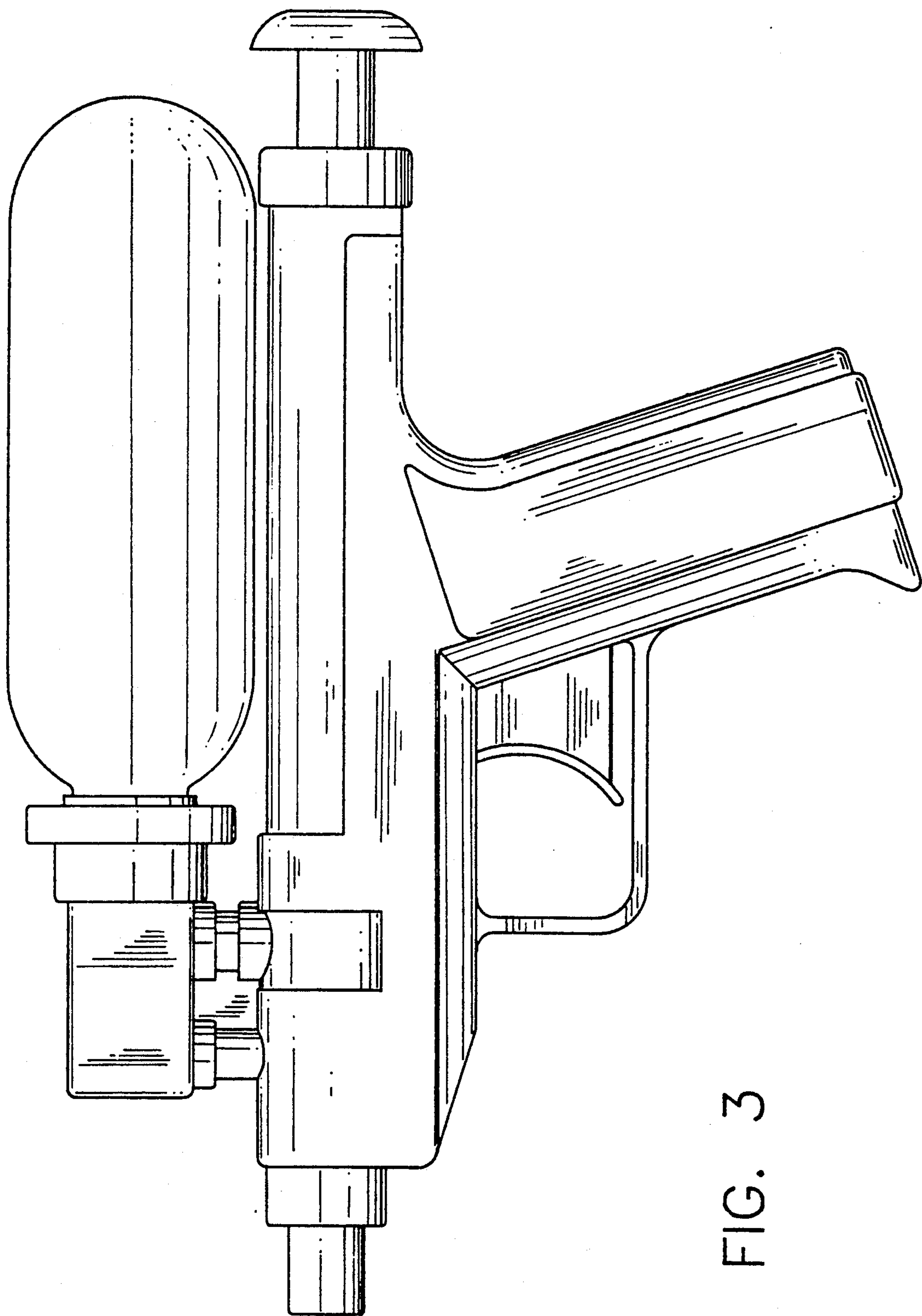


FIG. 3

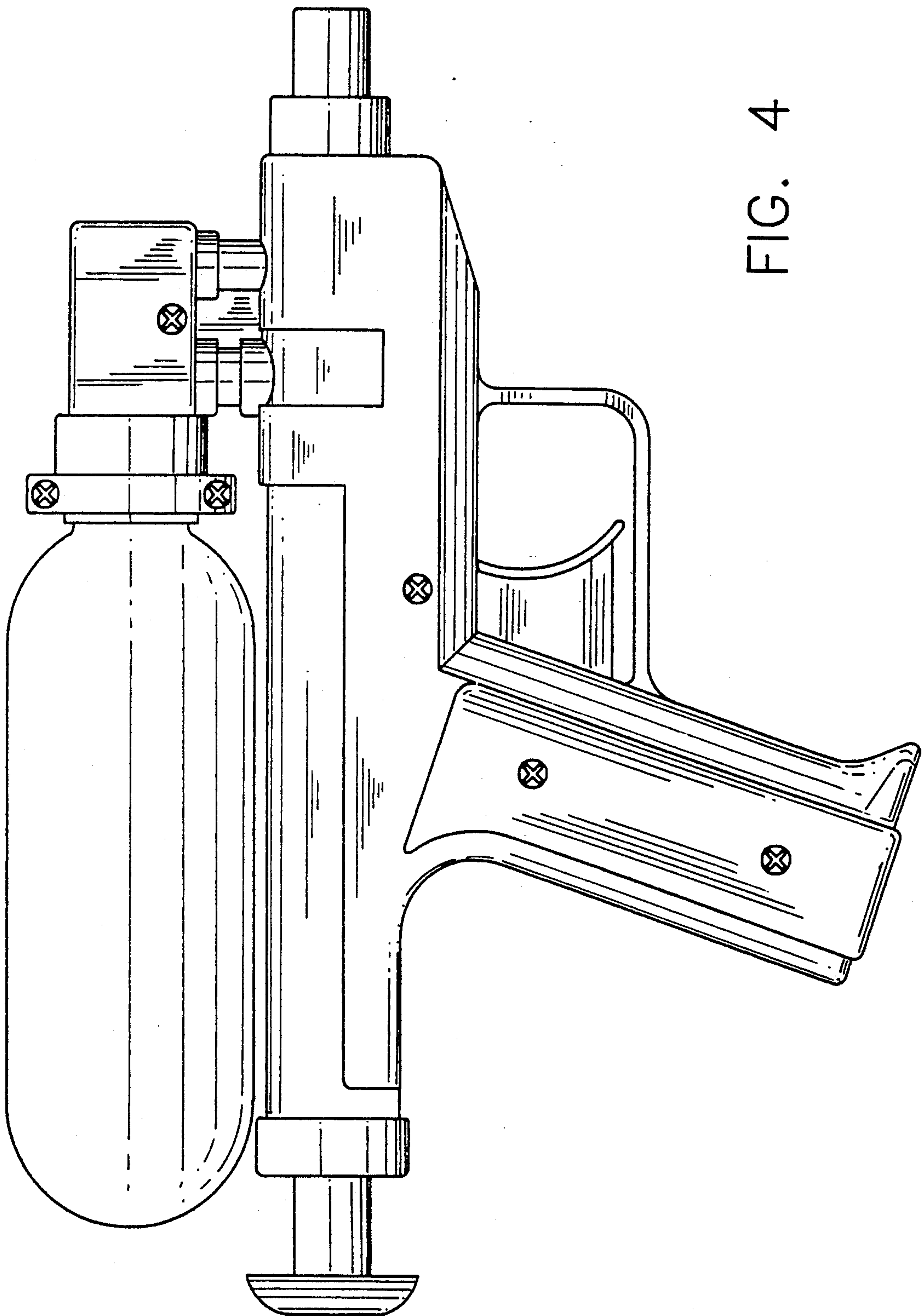


FIG. 4

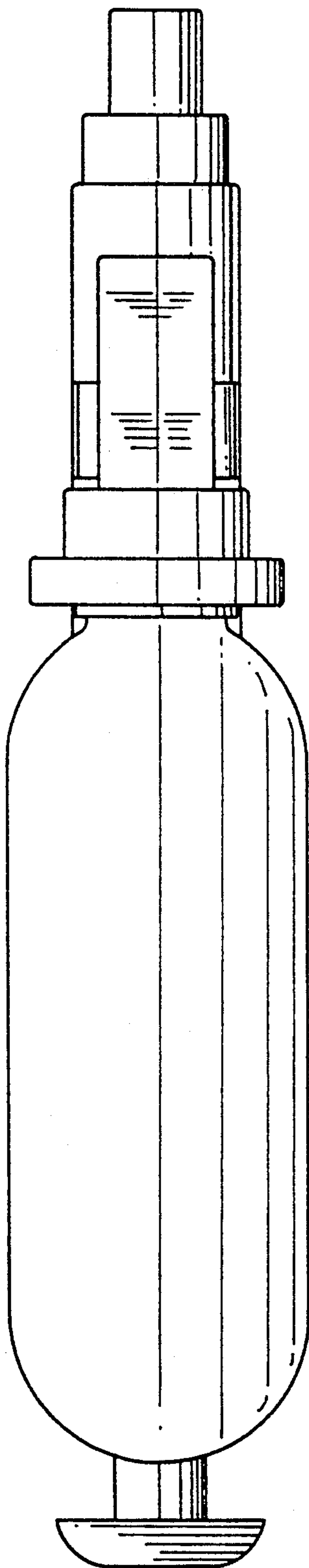


FIG. 5

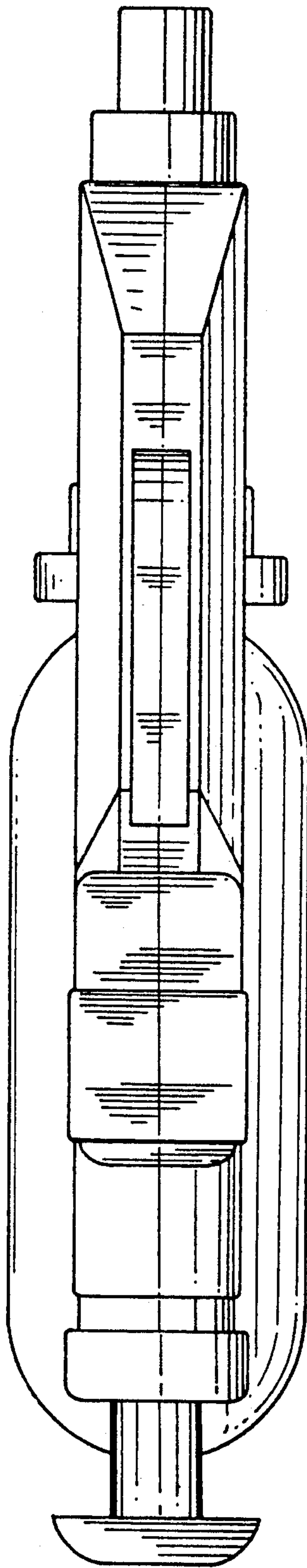


FIG. 6

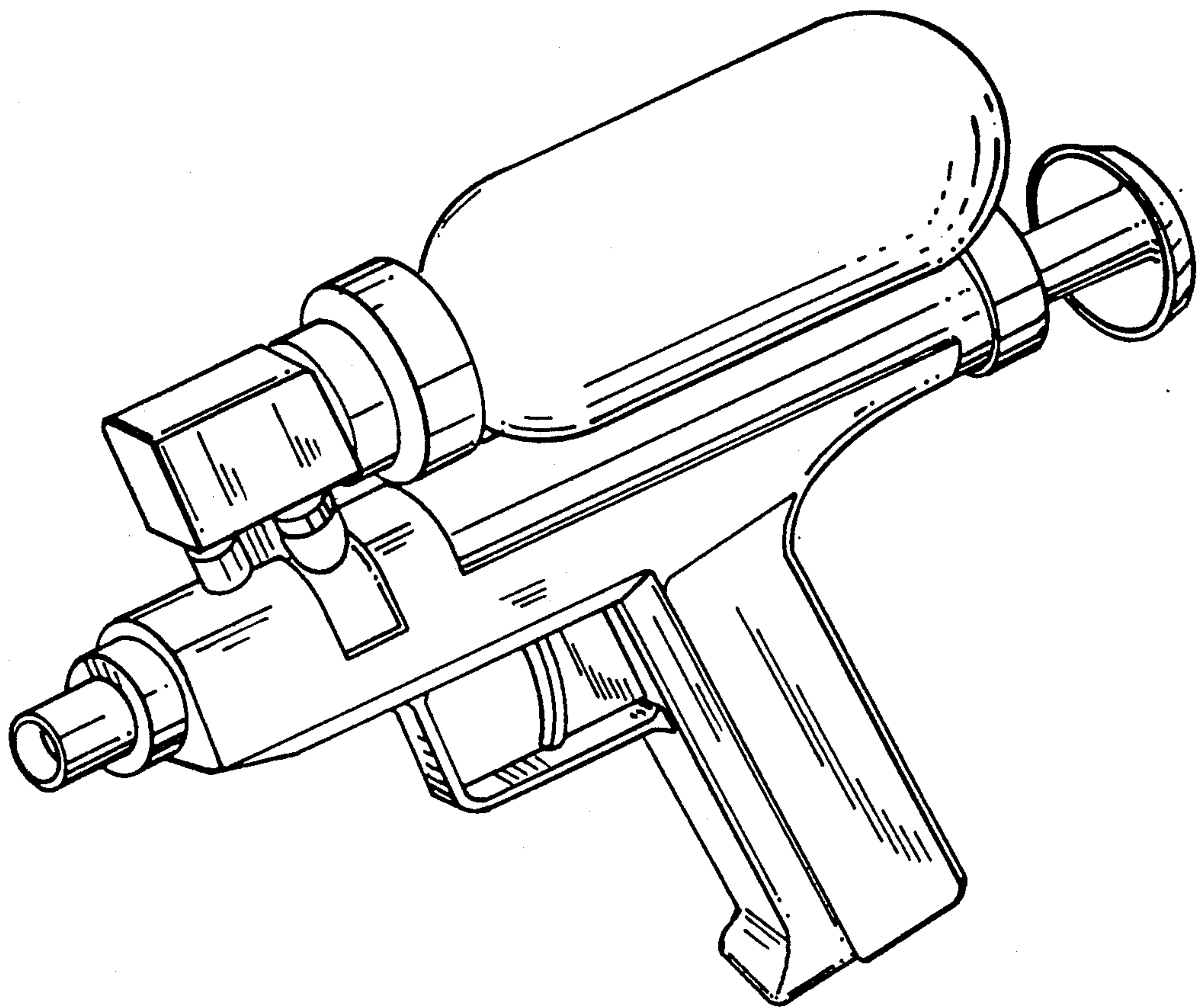


FIG. 7