



US00D337796S

United States Patent [19]

[11] Patent Number: **Des. 337,796**

Sutyak

[45] Date of Patent: **** Jul. 27, 1993**

[54] **TOY ARCHERY SET**

4,892,303 1/1990 Lohre 446/473
4,926,834 5/1990 Chauvin 124/25

[75] Inventor: **John R. Sutyak, Wakefield, Mass.**

[73] Assignee: **Tonka Corporation, Pawtucket, R.I.**

[**] Term: **14 Years**

Primary Examiner—Bernard Ansher
Assistant Examiner—R. Barkai
Attorney, Agent, or Firm—Salter, Michaelson & Benson

[21] Appl. No.: **631,783**

[57] **CLAIM**

[22] Filed: **Dec. 21, 1990**

The ornamental design for a toy archery set, as shown and described.

[52] U.S. Cl. **D21/145; D22/107**

[58] Field of Search **D21/145; D22/107, 100,
D22/101; 446/473; 124/25**

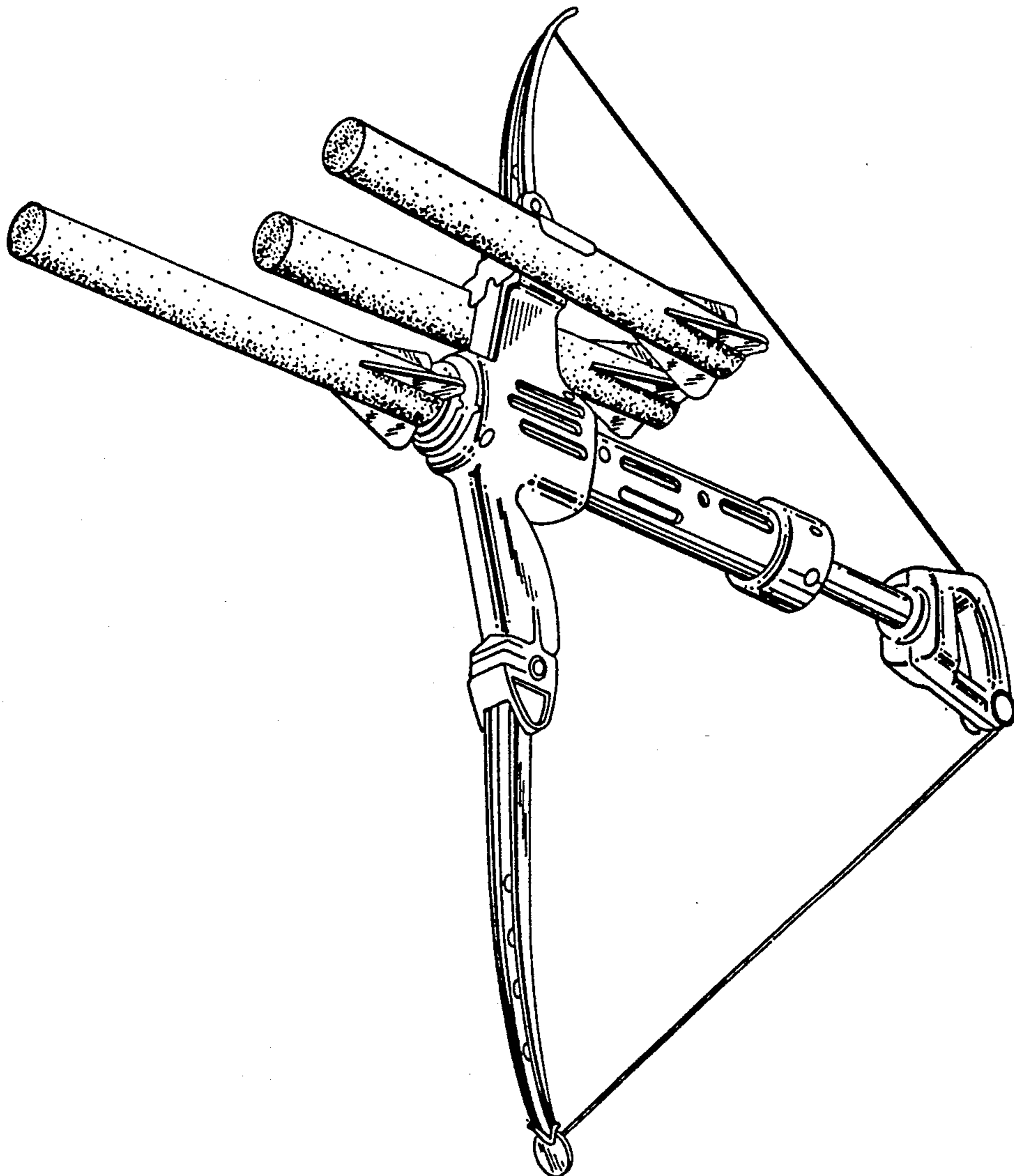
DESCRIPTION

[56] **References Cited**

U.S. PATENT DOCUMENTS

2,786,461 3/1957 Pelsue, Jr. 124/25
4,002,236 1/1977 Tolleson 124/25
4,696,281 9/1987 Nishioka 124/25
4,860,719 8/1989 Scheiterlein 124/25

FIG. 1 is a perspective view of a toy archery set showing my new design;
FIG. 2 is a left side plan view thereof;
FIG. 3 is a right side plan view thereof;
FIG. 4 is a front elevational view thereof;
FIG. 5 is a rear elevational view thereof;
FIG. 6 is a top view thereof; and,
FIG. 7 is a bottom view thereof.



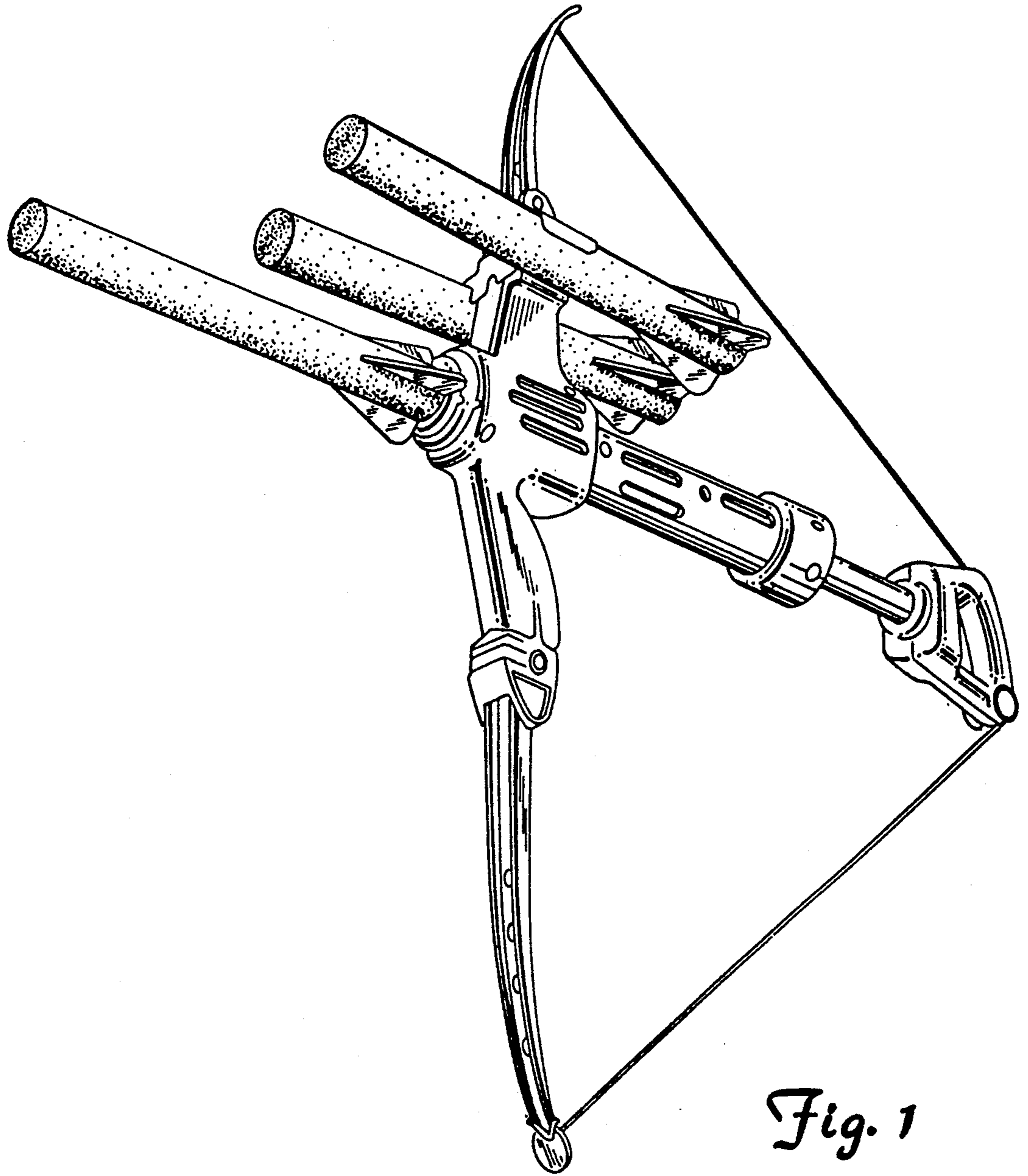


Fig. 1

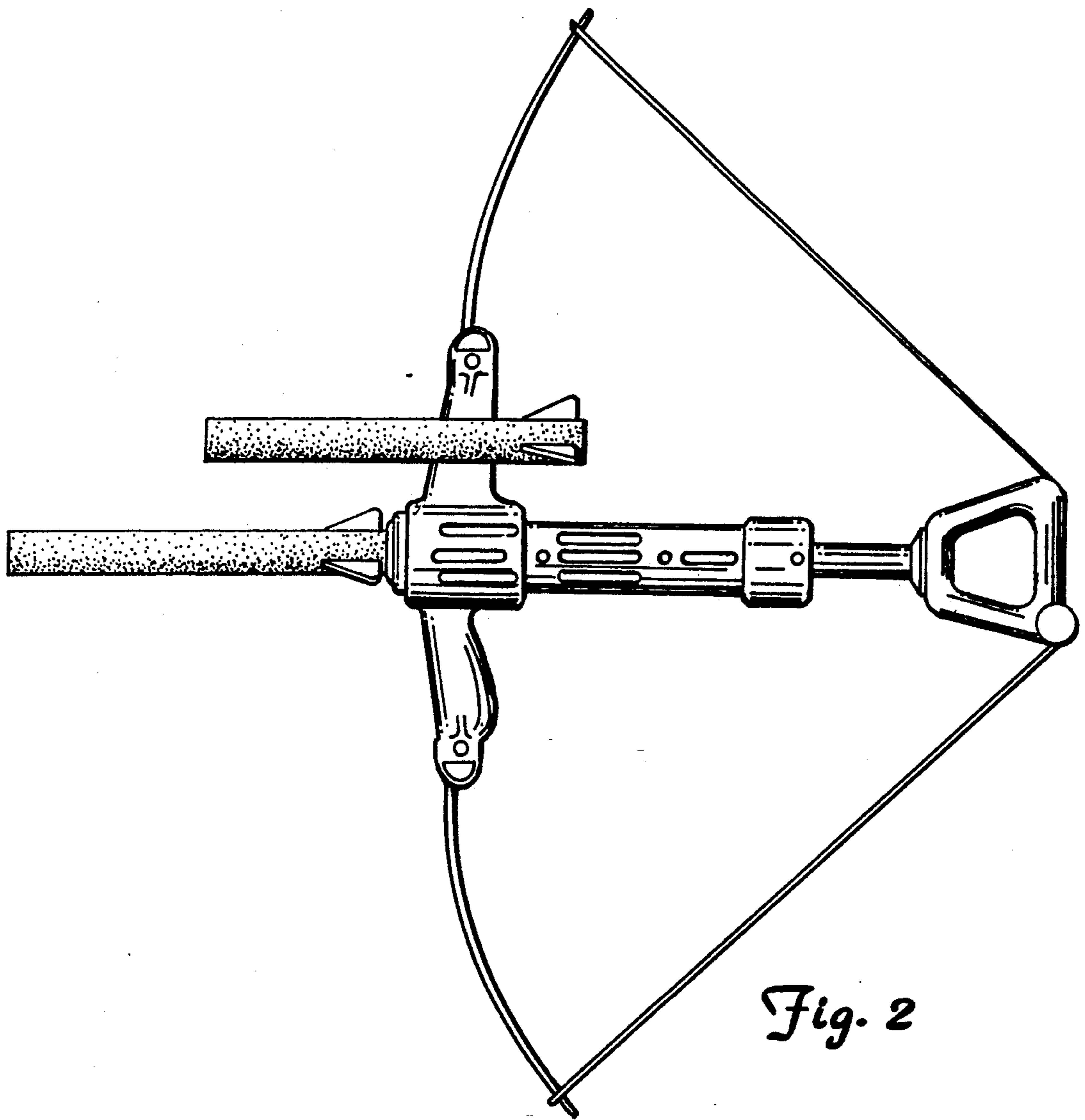


Fig. 2

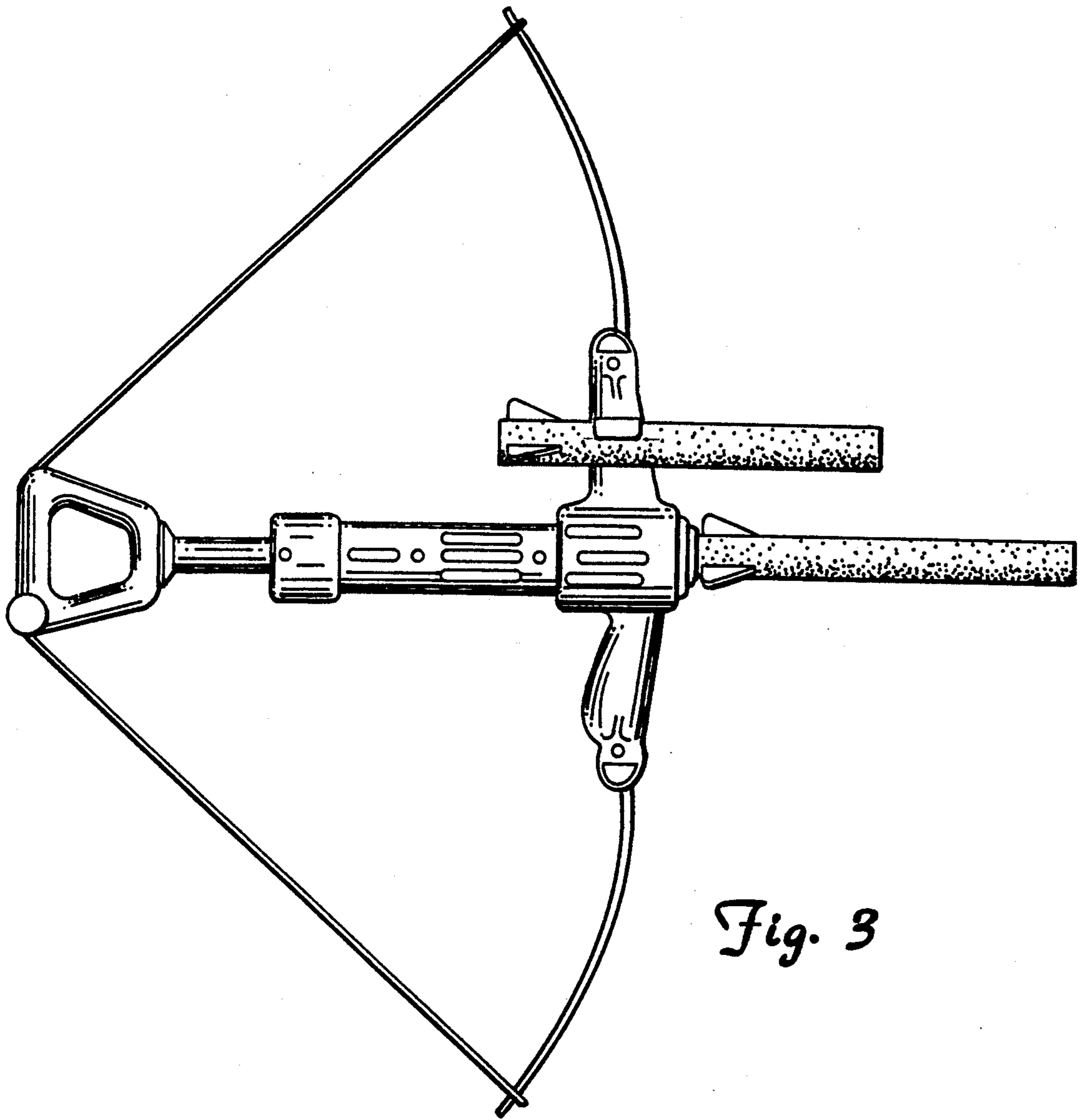


Fig. 3

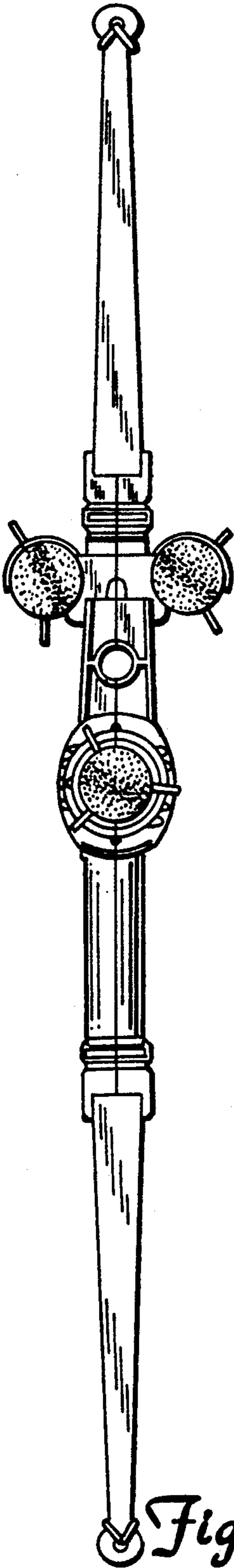


Fig. 4

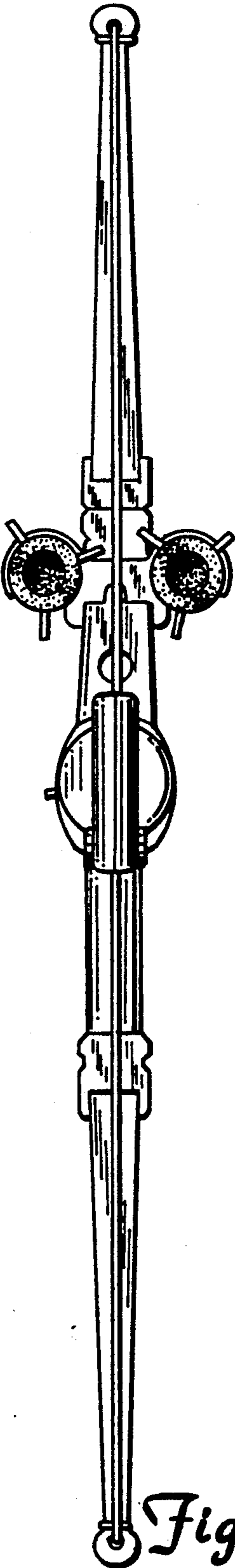


Fig. 5

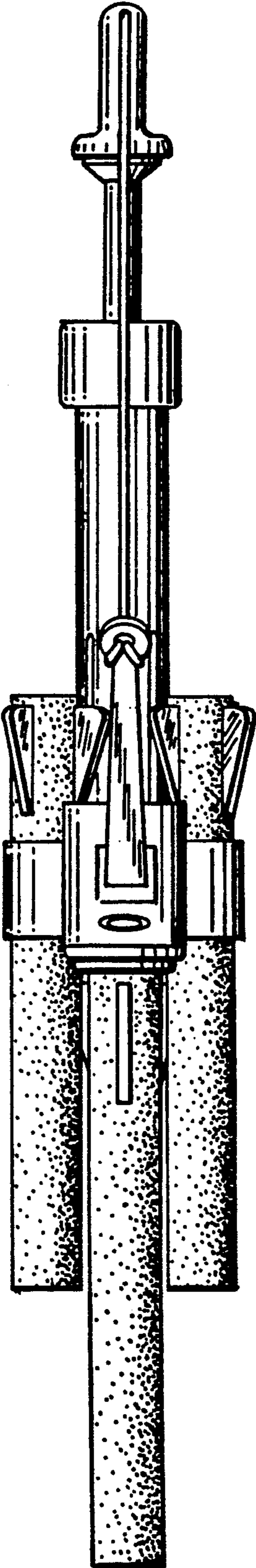


Fig. 6

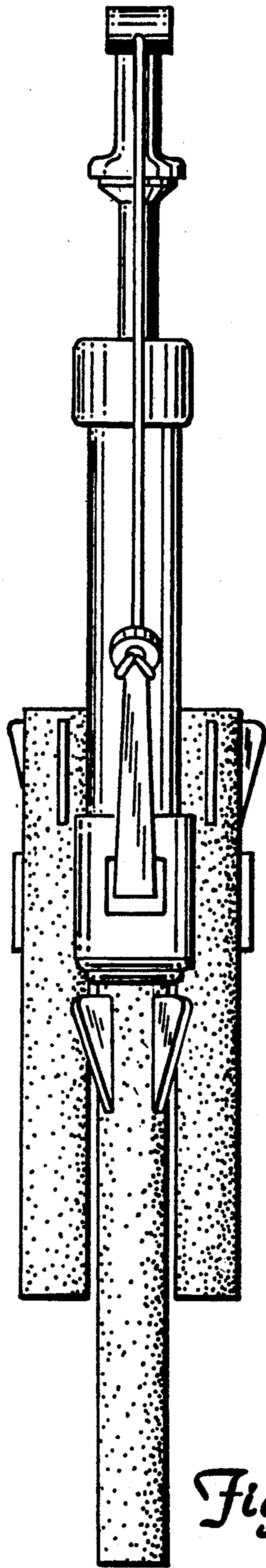


Fig. 7