



US00D337792S

United States Patent [19]

Tse

[11] Patent Number: **Des. 337,792**

[45] Date of Patent: **** Jul. 27, 1993**

[54] **JOYSTICK**

[76] Inventor: **Michael K. Tse, 1204, Block U, Telford Garden, Kowloon Bay, Kowloon, Hong Kong**

[**] Term: **14 Years**

[21] Appl. No.: **845,481**

[22] Filed: **Mar. 6, 1992**

[52] U.S. Cl. **D21/48**

[58] Field of Search **D21/48, 13; D14/125, D14/217; D13/158; 273/148 B, 433-438, DIG. 28**

4,552,360 11/1985 Bromley et al. 273/438 X
4,924,216 5/1990 Leung 273/438 X

OTHER PUBLICATIONS

Home Furnishing Daily, Feb. 1988, p. 79.

Primary Examiner—Bernard Ansher
Assistant Examiner—Prabhakar Deshmukh

[57] **CLAIM**

The ornamental design for a joystick, as shown and described.

DESCRIPTION

FIG. 1 is a front elevational view of a joystick showing my new design;

FIG. 2 is the rear elevational view thereof;

FIG. 3 is the left side elevational view thereof;

FIG. 4 is the right side elevational view thereof;

FIG. 5 is the top plan view thereof; and,

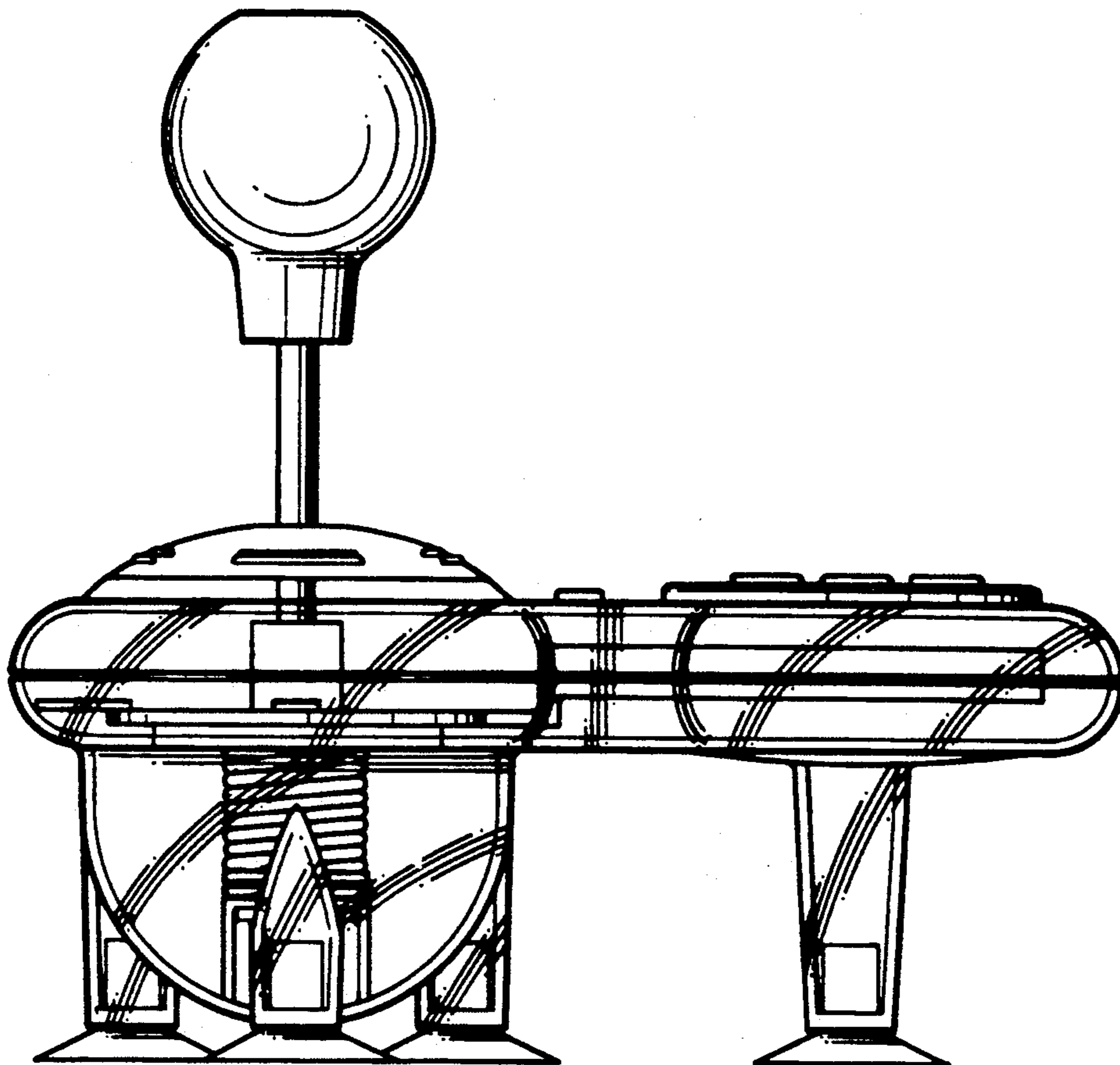
FIG. 6 is the bottom plan view thereof.

[56]

References Cited

U.S. PATENT DOCUMENTS

D. 297,953	10/1988	Yasuda et al.	D21/48
D. 307,921	5/1990	Barr	D21/13
D. 317,949	7/1991	Tse	D21/48
D. 318,074	7/1991	Haung	D21/48



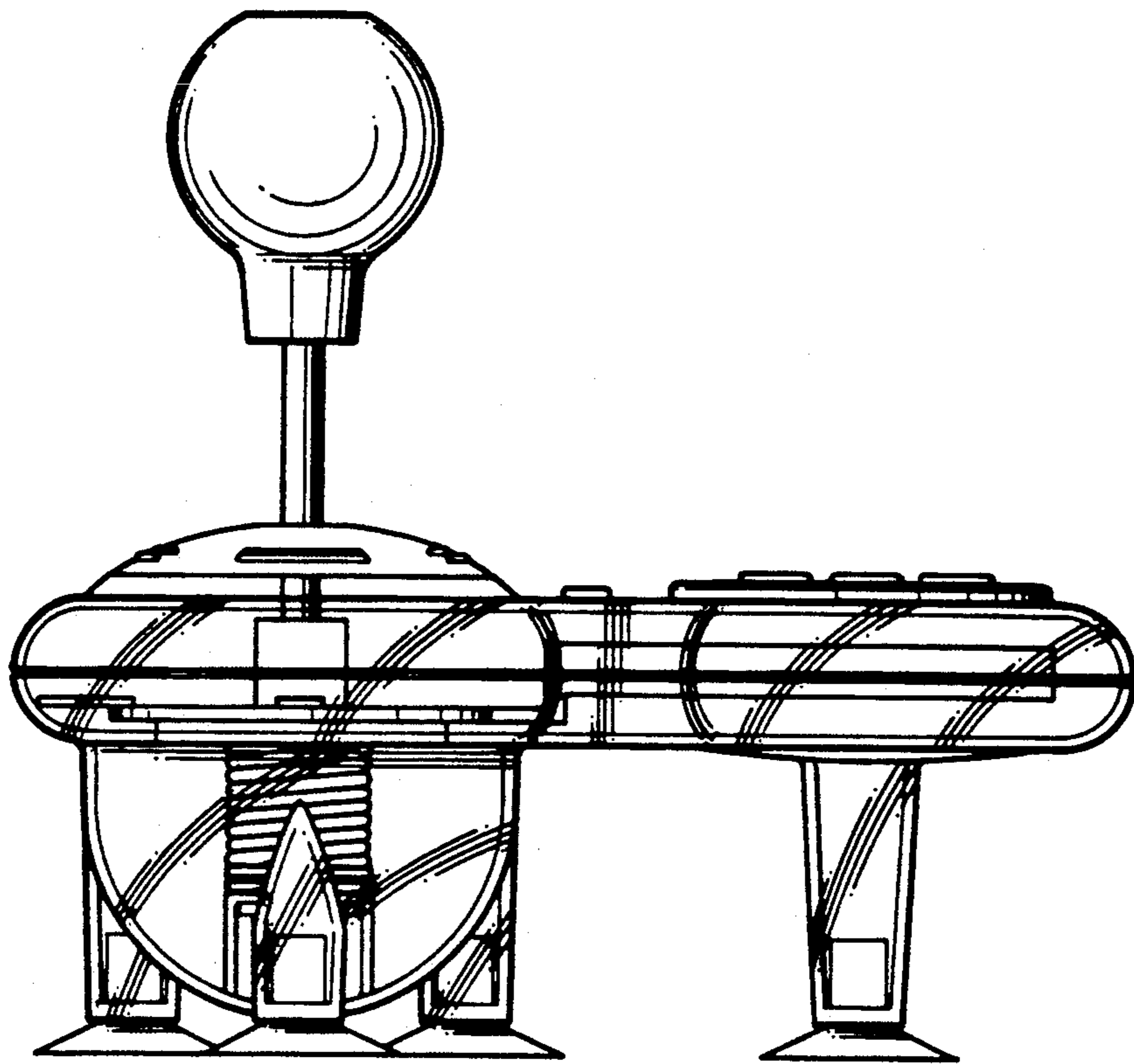


FIG. 1

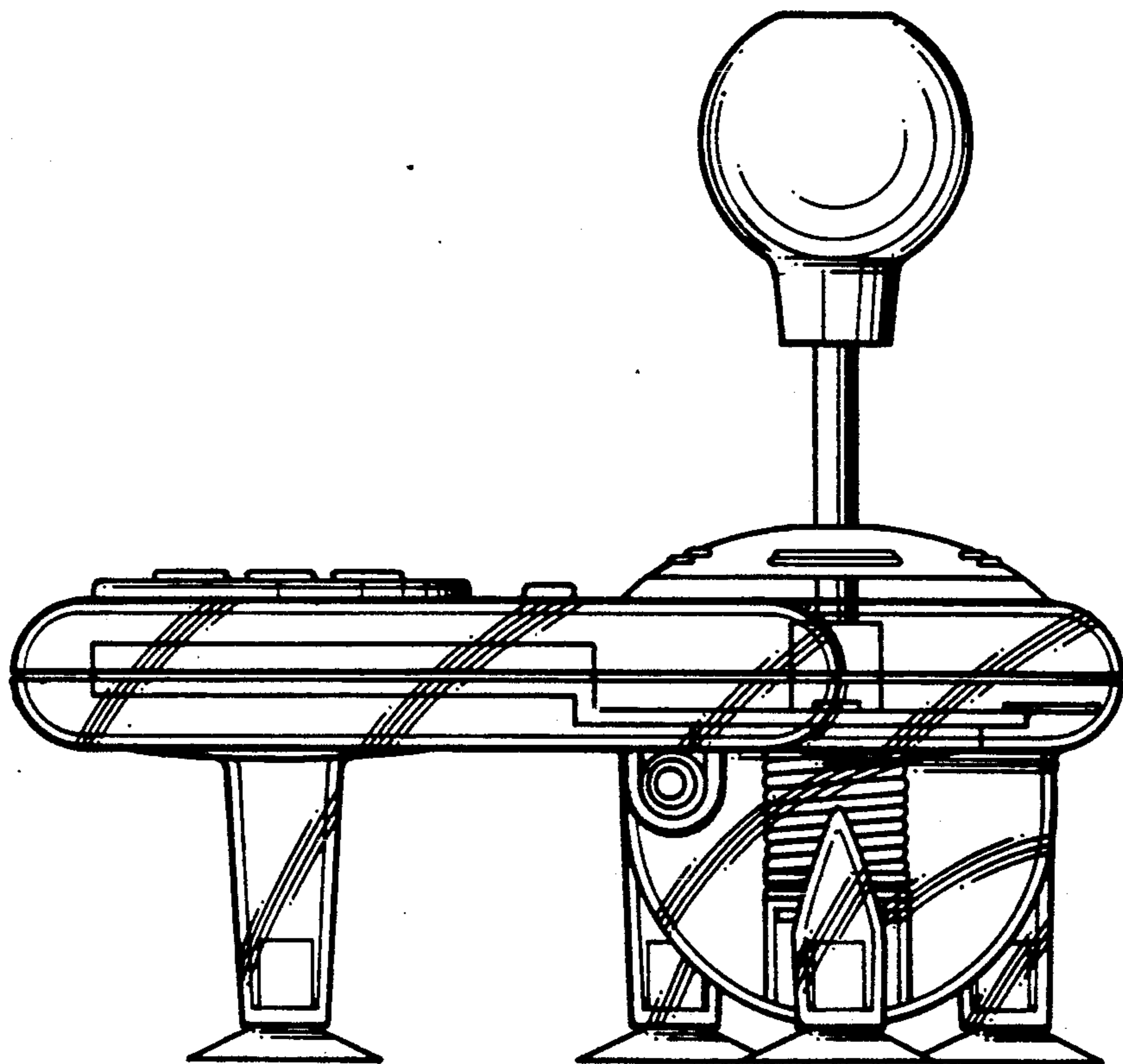


FIG. 2

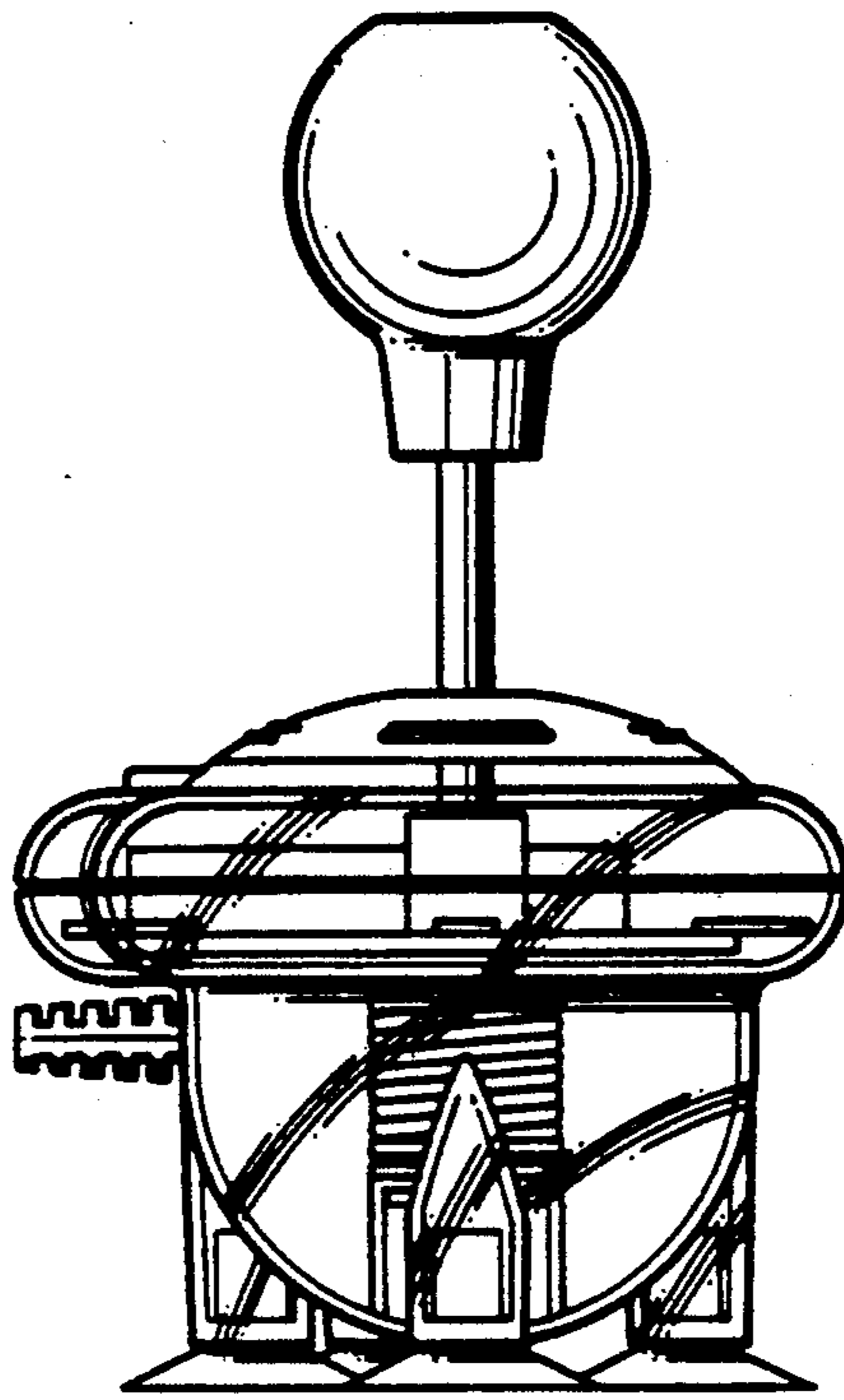


FIG. 3

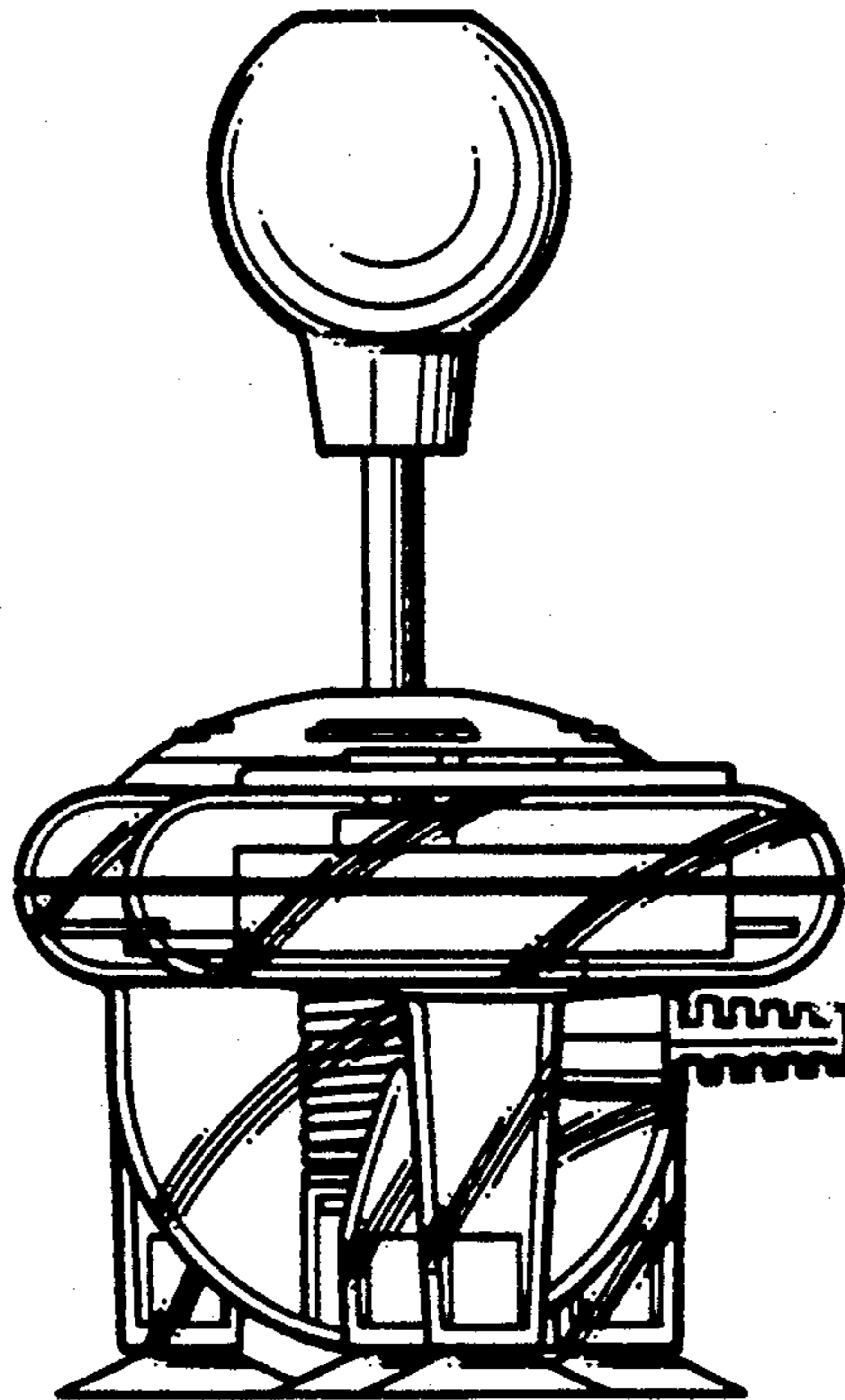


FIG. 4

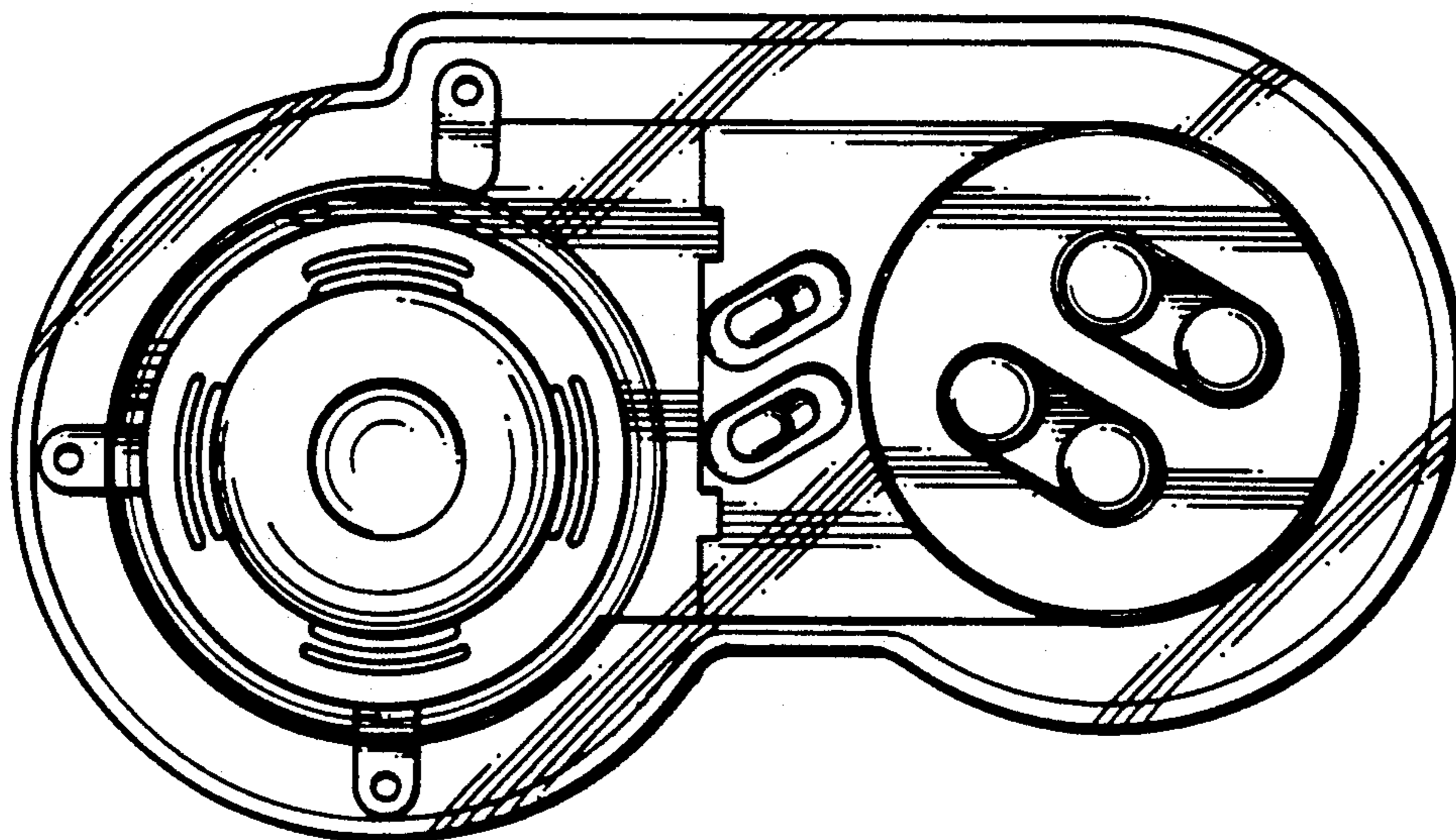


FIG. 5

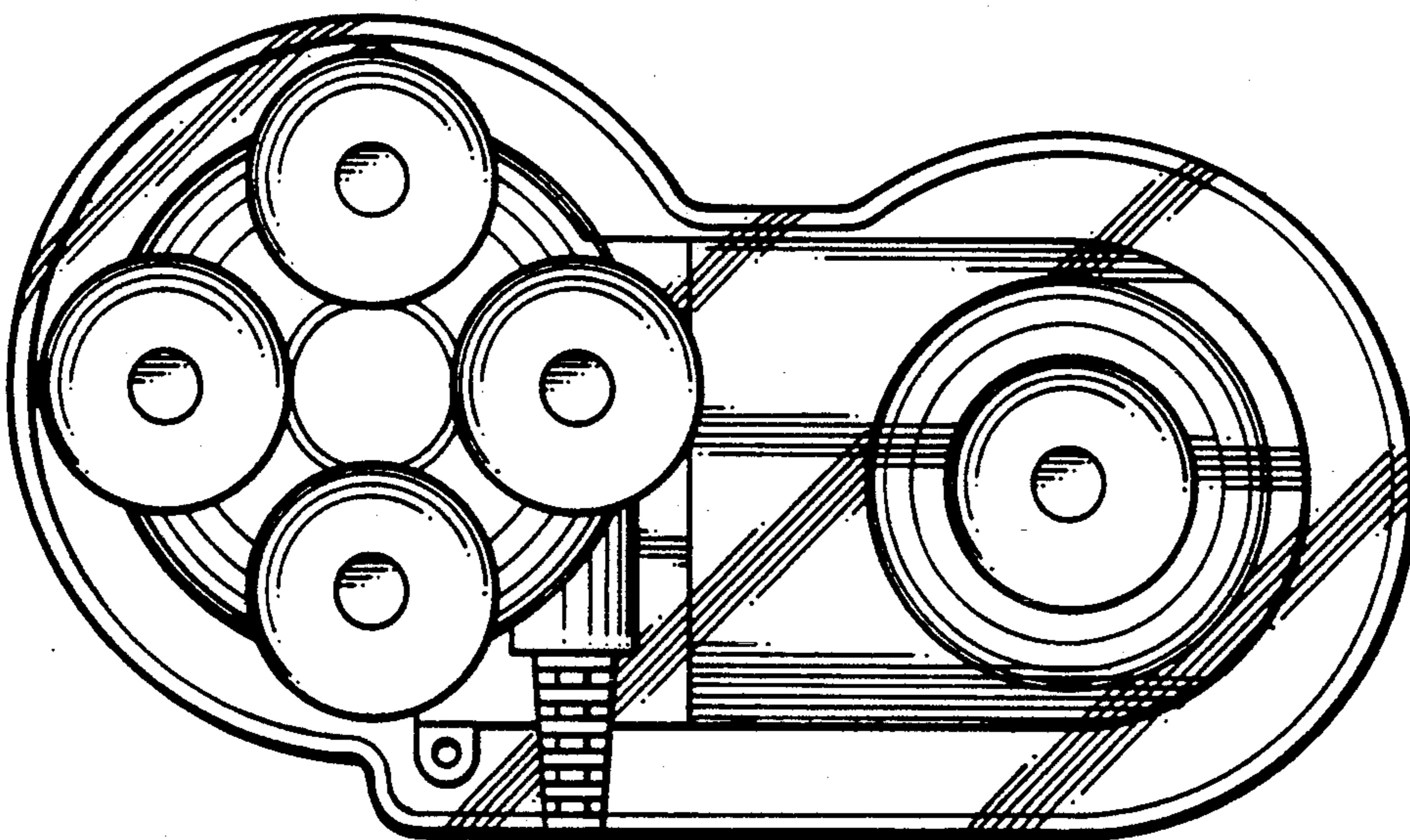


FIG. 6