



US00D337788S

# United States Patent [19]

[11] Patent Number: **Des. 337,788**

**Lian-Mey**

[45] Date of Patent: **\*\* Jul. 27, 1993**

[54] **COMBINED HOLDER FOR WRITING INSTRUMENTS AND NOTE PAPER**

[76] Inventor: **Chen W. Lian-Mey, P.O. Box 82-144, Taipei, Taiwan**

[\*\*] Term: **14 Years**

[21] Appl. No.: **856,932**

[22] Filed: **Mar. 24, 1992**

[52] U.S. Cl. .... **D19/78; D19/85; D19/86; D19/92**

[58] Field of Search ..... **D19/21, 65, 75, 77, D19/78, 81-85, 86, 92, 95, 99, 100; 211/69.1-69.9, 13, 126; 206/214, 215, 224, 371, 555; D6/475**

[56] **References Cited**

**U.S. PATENT DOCUMENTS**

D. 161,853	2/1951	Menning .....	D19/78
D. 162,797	4/1951	Dubinetz et al. ....	D19/78
D. 170,881	11/1953	Marano .....	D19/85 X
D. 185,169	5/1959	Parker .....	D19/85 X
D. 188,967	10/1960	Beiger .....	D19/85 X

D. 224,455	7/1972	Oberton .....	D19/85 X
D. 227,176	6/1973	Franklin .....	D19/21 X
D. 326,785	6/1992	Williams .....	D6/475 X
D. 327,500	6/1992	Breen et al. ....	D19/78
1,853,876	4/1932	Parker et al. ....	211/69.6
1,975,512	10/1934	Huott .....	211/69.4 X
3,038,480	6/1962	Kent .....	211/69.4 X

*Primary Examiner*—Nelson C. Holtje  
*Assistant Examiner*—Martha Thompson  
*Attorney, Agent, or Firm*—Alfred Lei

[57] **CLAIM**

The ornamental design for a combined holder for writing instruments and note paper, as shown and described.

**DESCRIPTION**

FIG. 1 is a perspective view of a combined holder for writing instruments and note paper showing my new design;

FIG. 2 is a front view thereof;

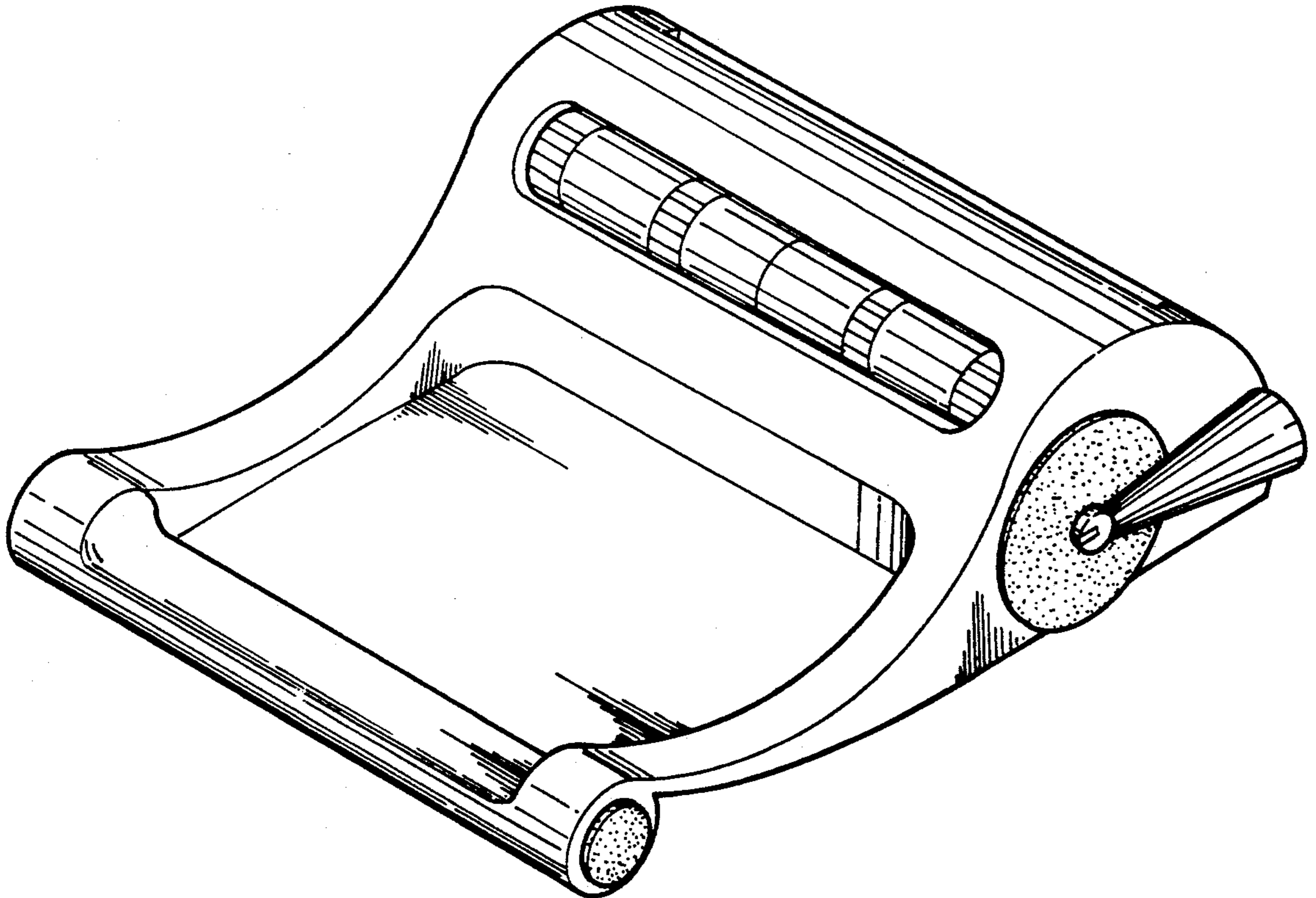
FIG. 3 is a rear view thereof;

FIG. 4 is a right side elevational view thereof;

FIG. 5 is a left side elevational view thereof;

FIG. 6 is a top plan view thereof; and,

FIG. 7 is a bottom plan view thereof.



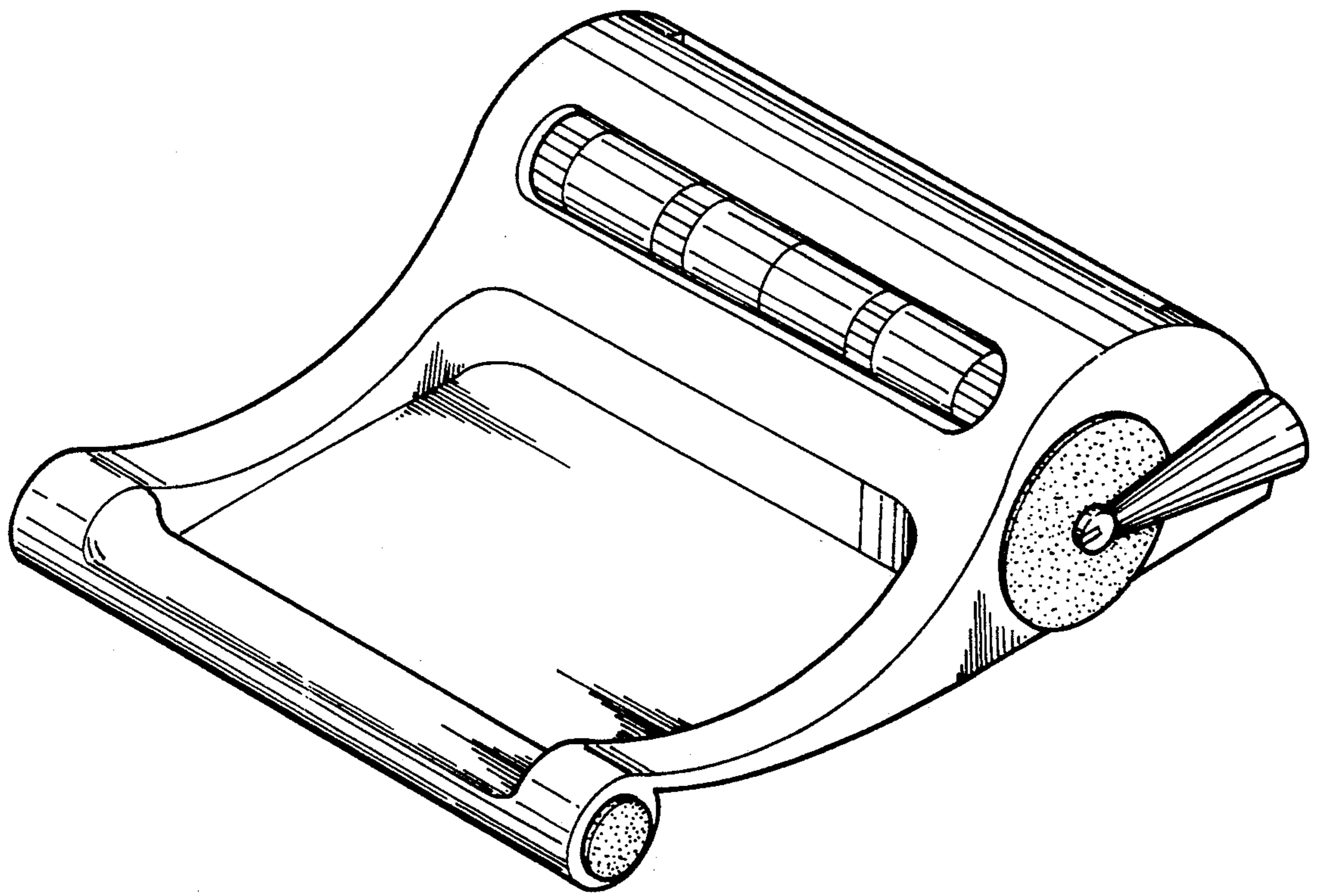


FIG. 1

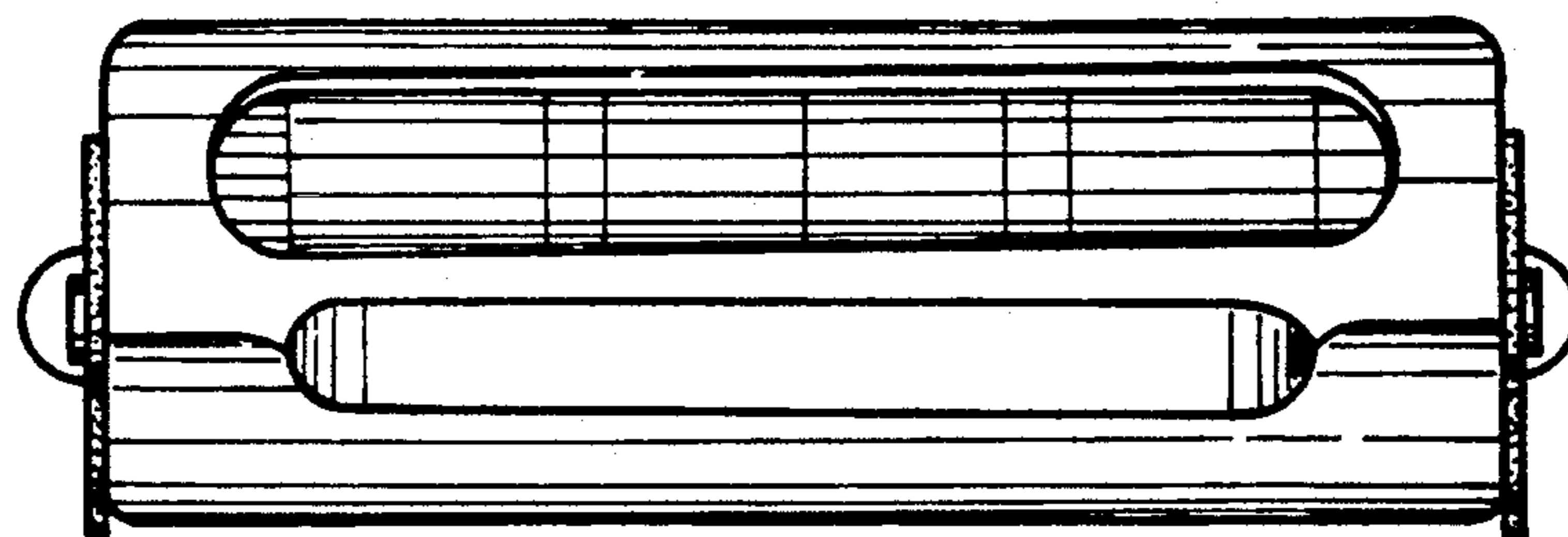


FIG. 2

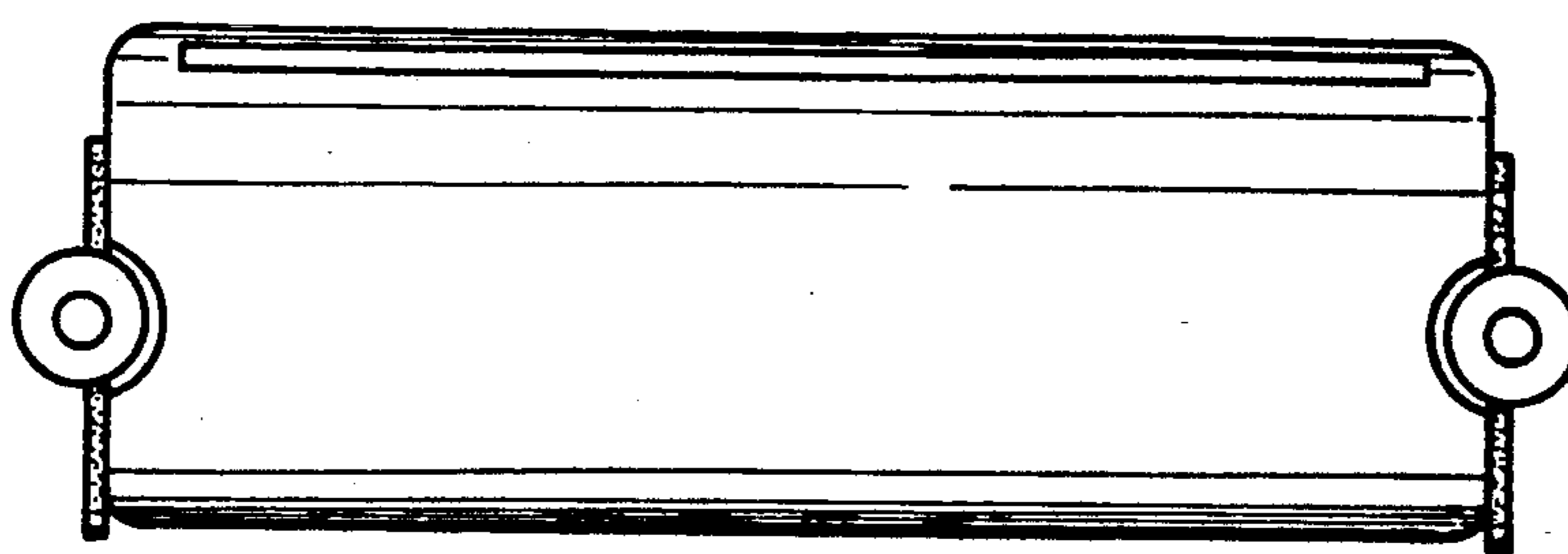


FIG. 3

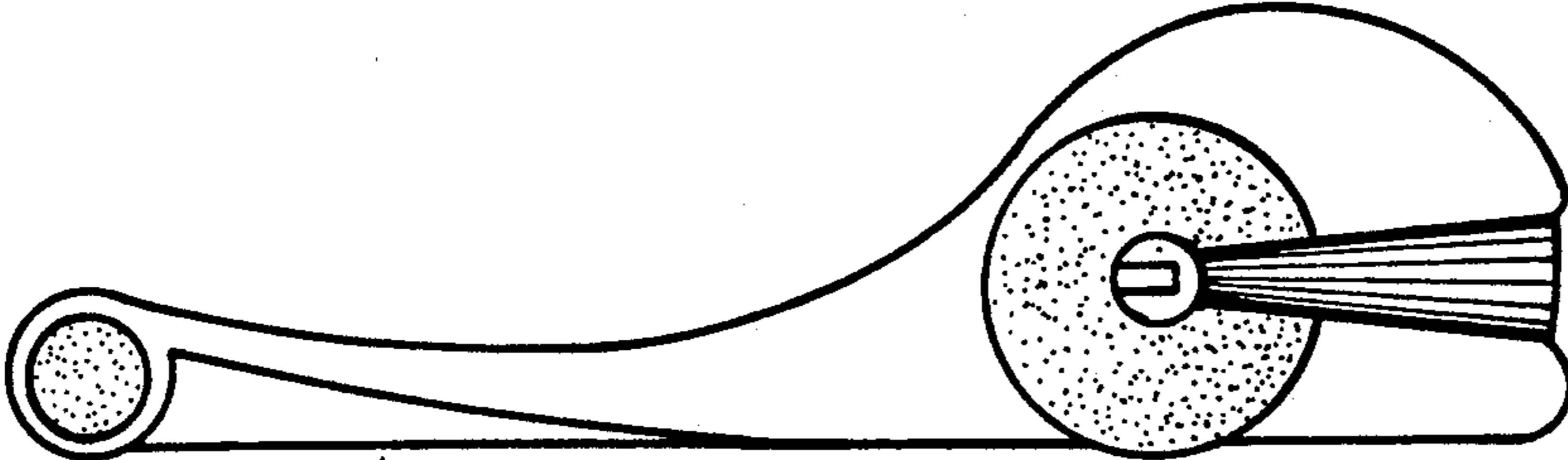


FIG. 4

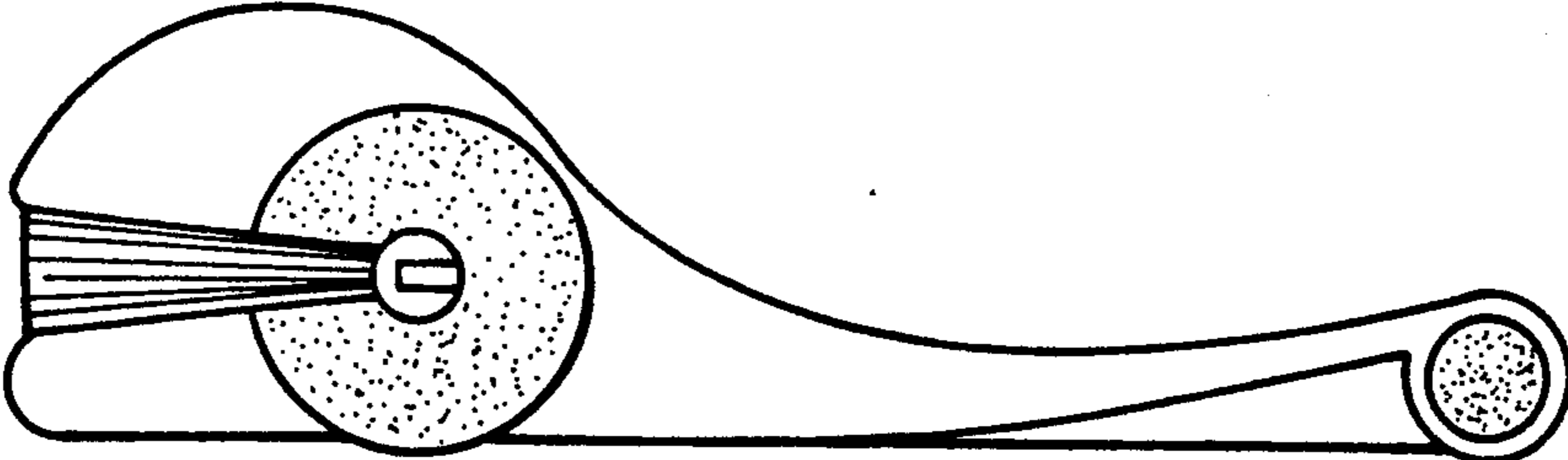


FIG. 5

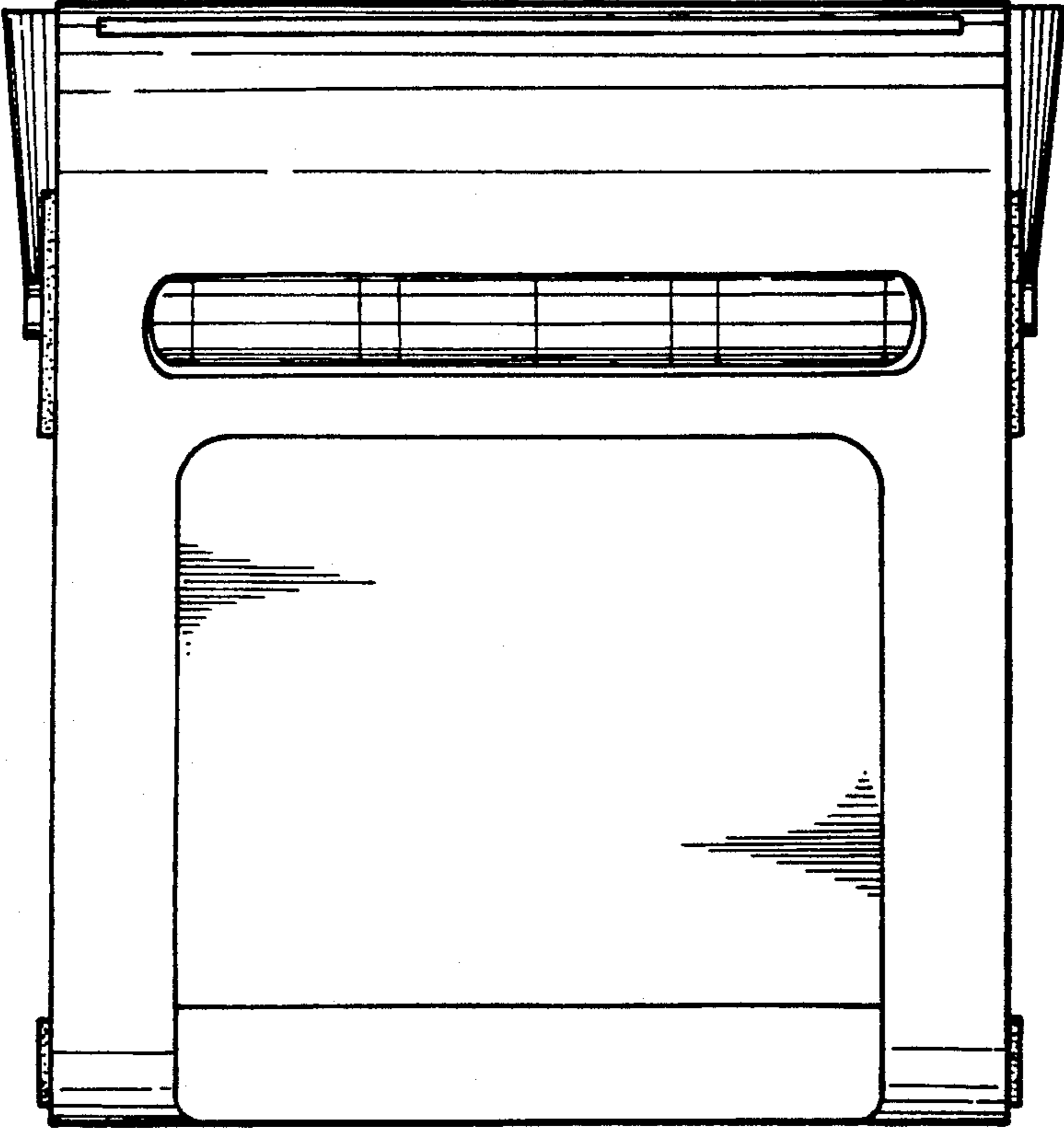


FIG. 6

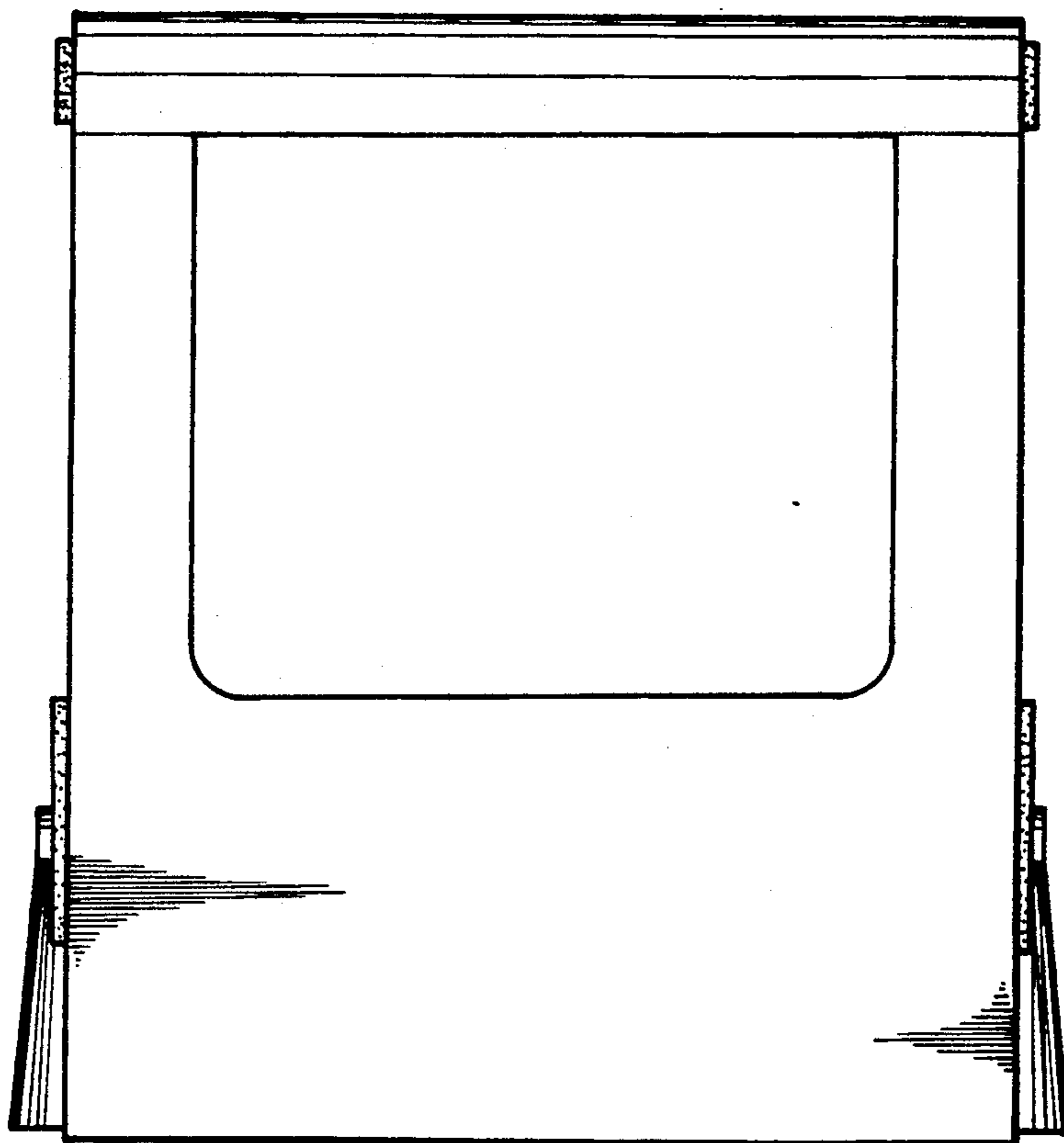


FIG. 7