



US00D337785S

United States Patent [19]

[11] Patent Number: **Des. 337,785**

Peersmann

[45] Date of Patent: **** Jul. 27, 1993**

[54] **DIGITAL CALENDAR**

1,803,658 5/1931 Smith 40/107
3,792,541 2/1974 Engle, Jr. 40/107

[75] Inventor: **Richard F. M. Peersmann,**
Scheveningen, Netherlands

Primary Examiner—Wallace R. Burke
Assistant Examiner—Marcus Jackson
Attorney, Agent, or Firm—Foley & Lardner

[73] Assignee: **Pollyflame International, B.V.,**
Roelofarendsveen, Netherlands

[57] **CLAIM**

[**] Term: **14 Years**

The ornamental design for a digital calendar, as shown and described.

[21] Appl. No.: **814,386**

[22] Filed: **Dec. 27, 1991**

DESCRIPTION

[52] U.S. Cl. **D19/25**

[58] Field of Search D19/20, 21, 23, 22,
D19/24, 25; 40/107, 109, 116, 117, 120, 122,
358; 283/2, 3, 4

FIG. 1 is a perspective view of a digital calendar showing my new design;

FIG. 2 is a front elevational view thereof;

FIG. 3 is a rear elevational view thereof;

FIG. 4 is a top plan view thereof;

FIG. 5 is a bottom plan view thereof;

FIG. 6 is a left side elevational view thereof;

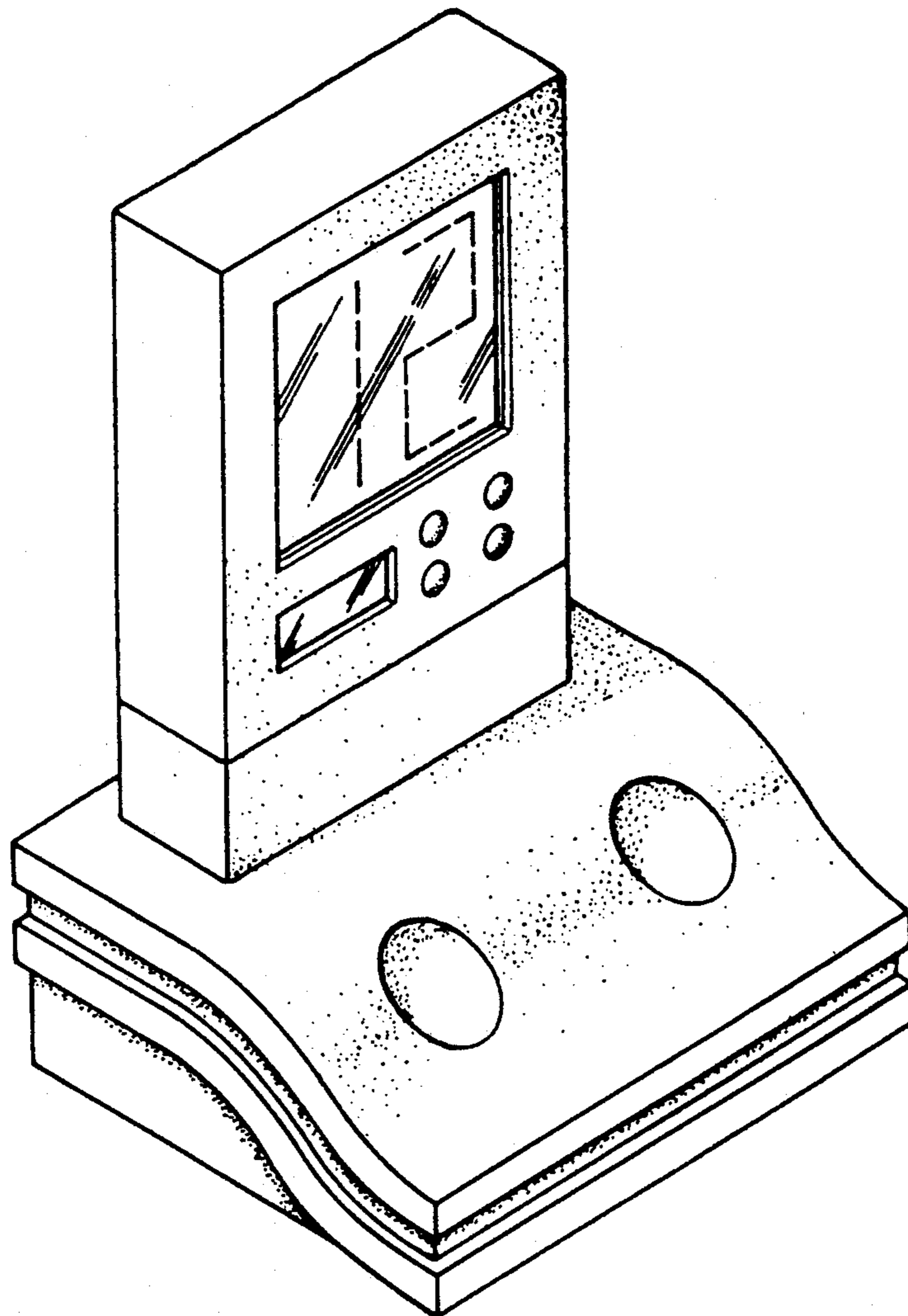
FIG. 7 is a right side elevational view thereof; and,

FIG. 8 is a perspective view thereof, with the calendar portion shown in an extended position.

[56] **References Cited**

U.S. PATENT DOCUMENTS

D. 245,913 9/1977 Macowski D19/20
1,681,235 8/1928 Hering 40/107
1,753,786 4/1930 Hinkel 40/107



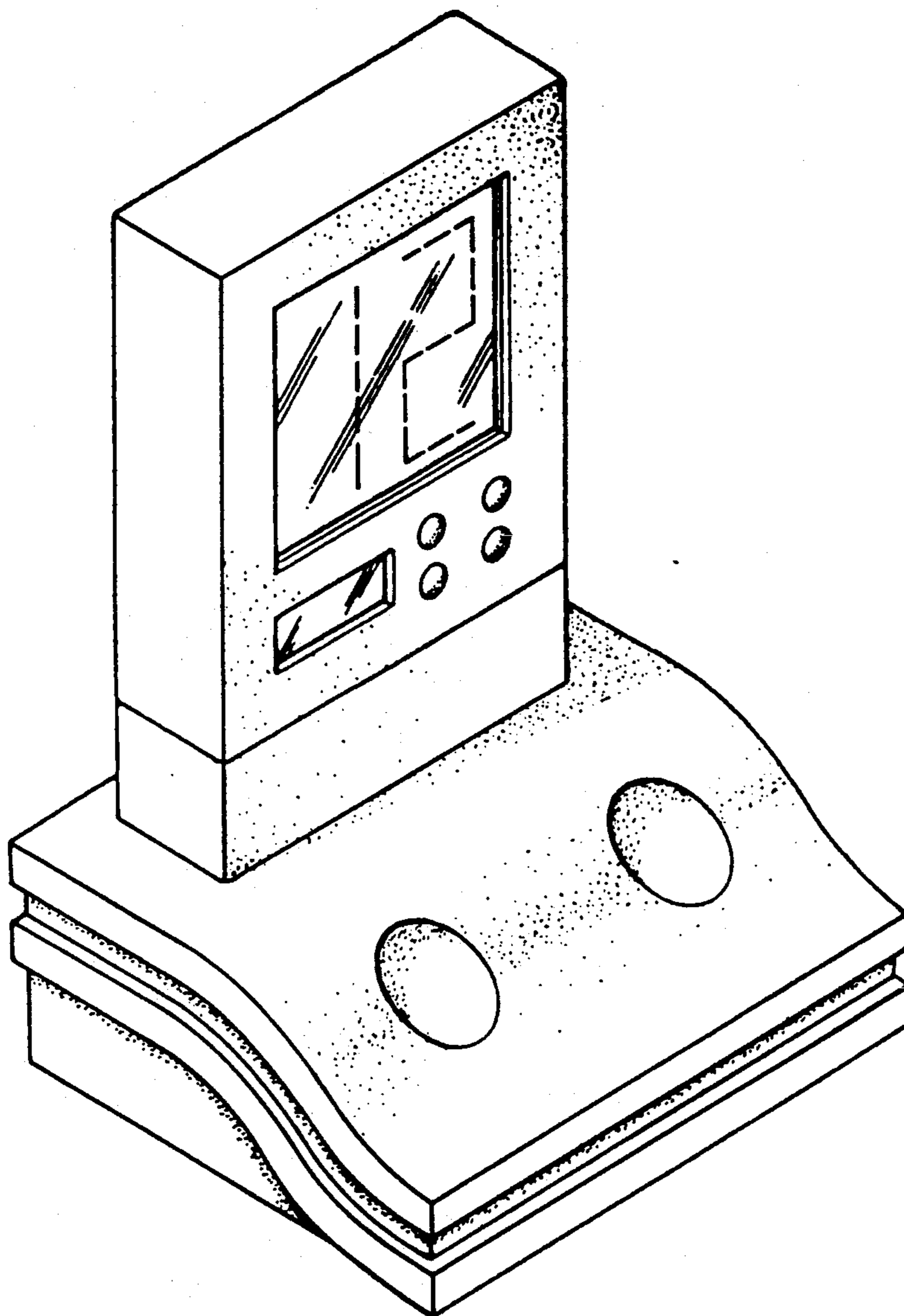


FIG. 1

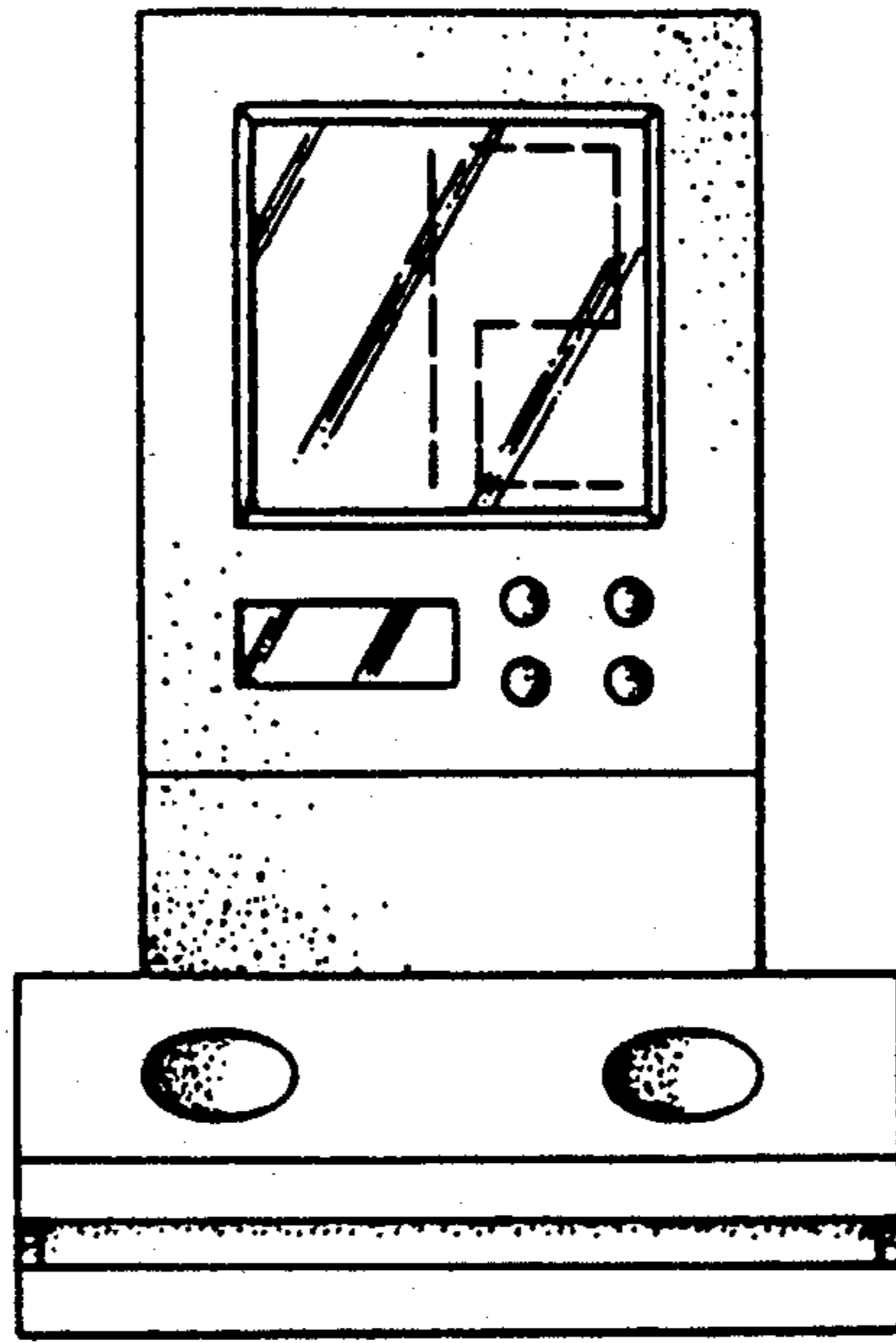


FIG. 2

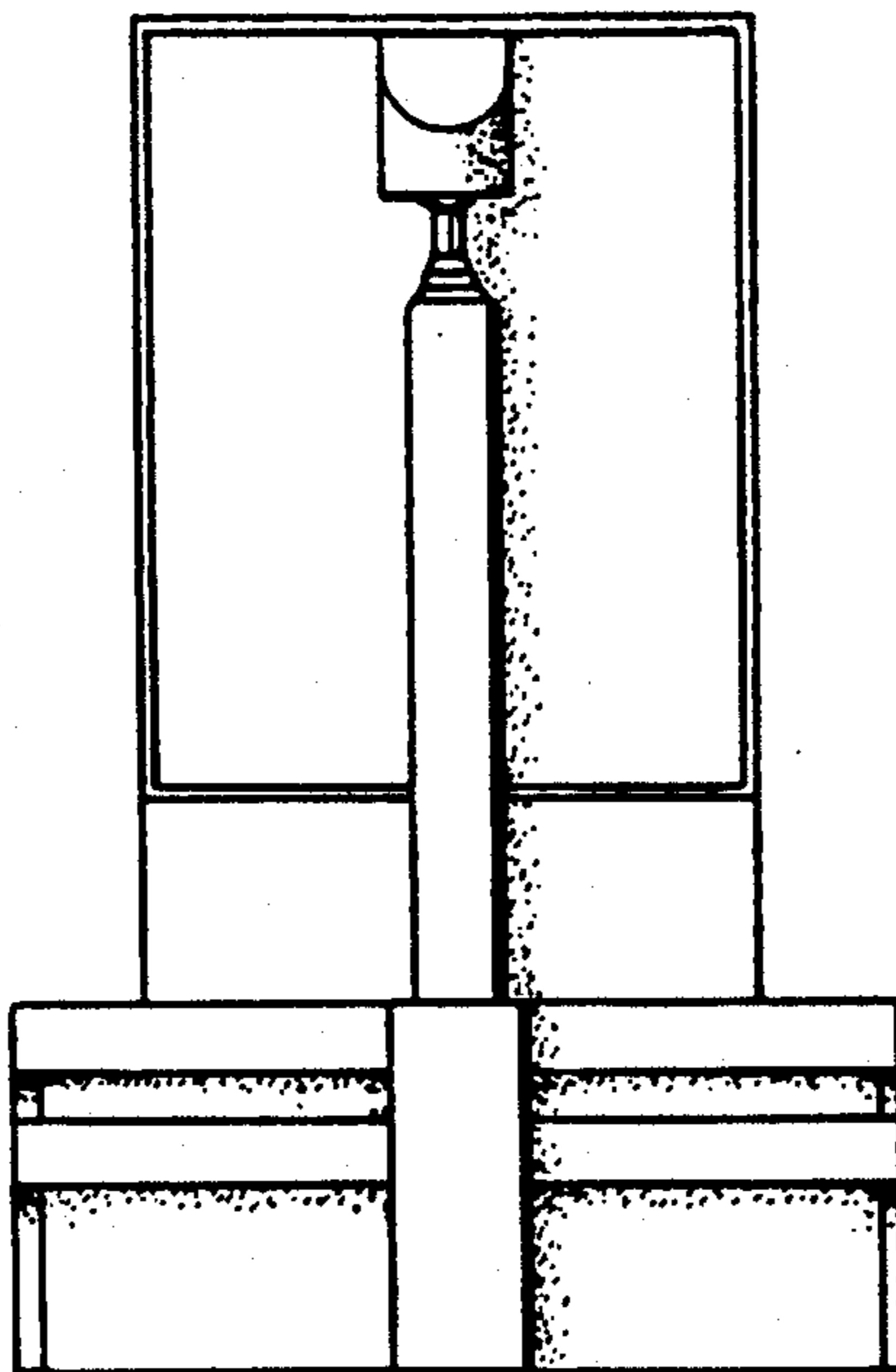


FIG. 3

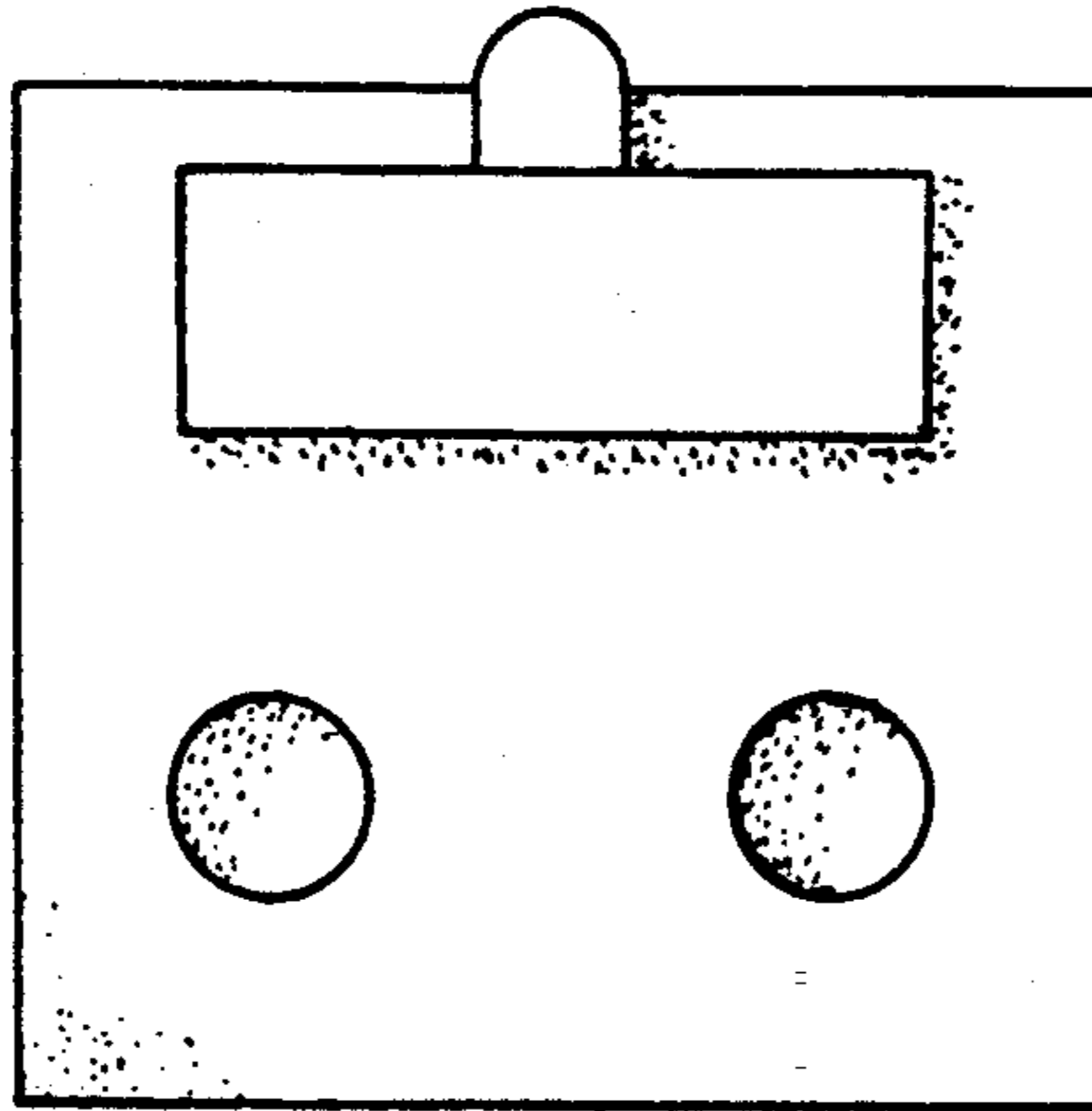


FIG. 4

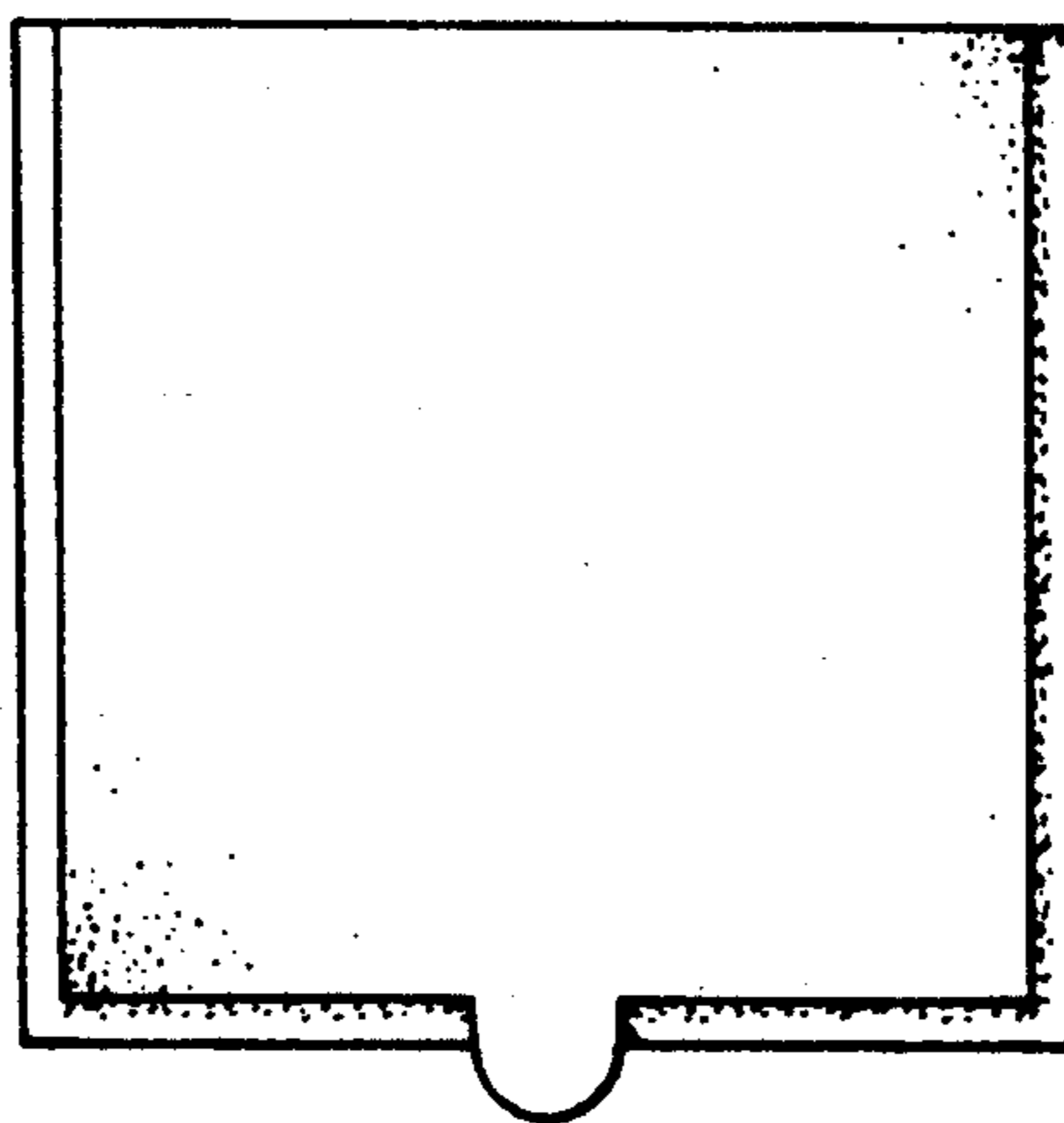


FIG. 5

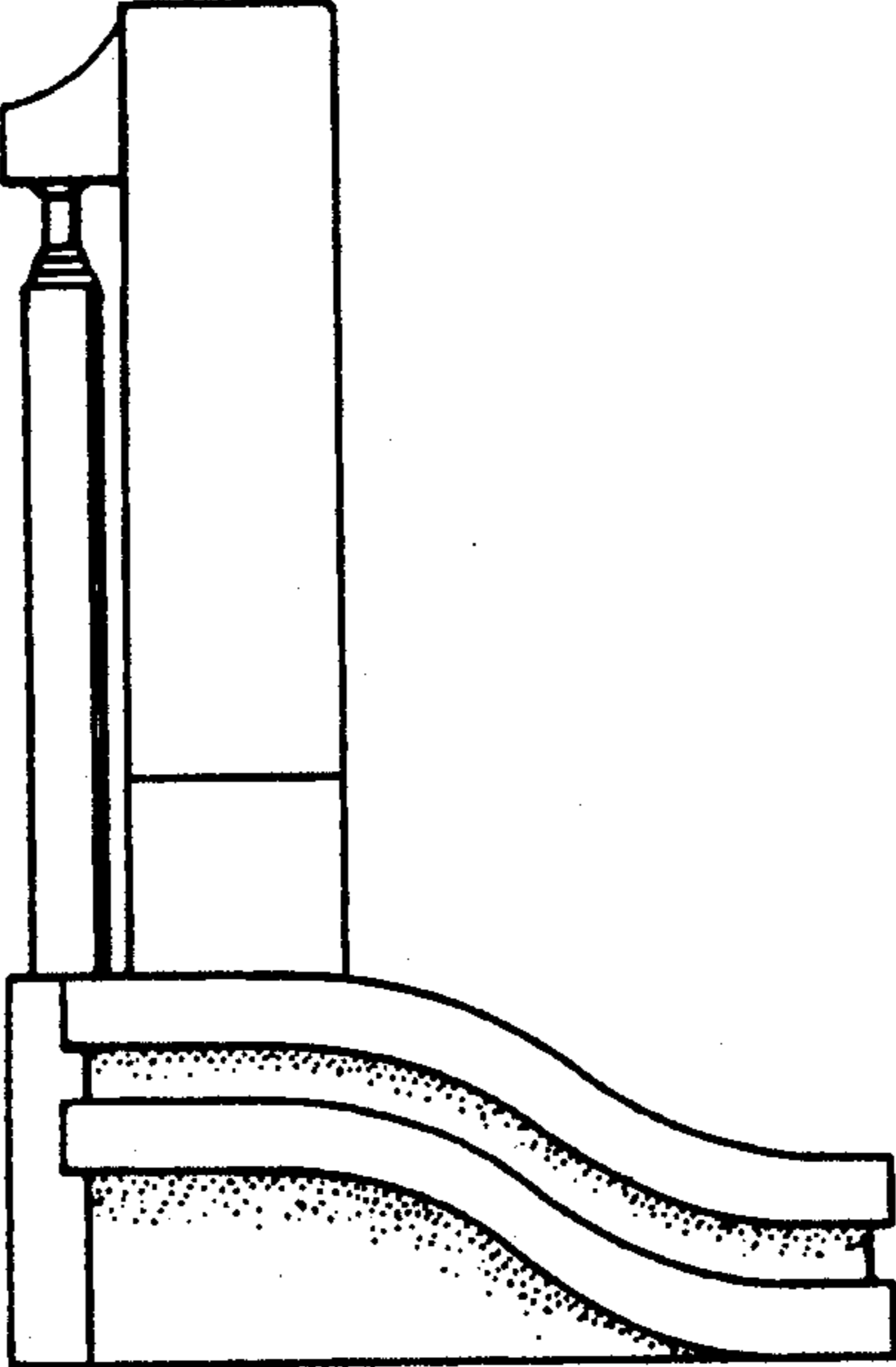


FIG. 6

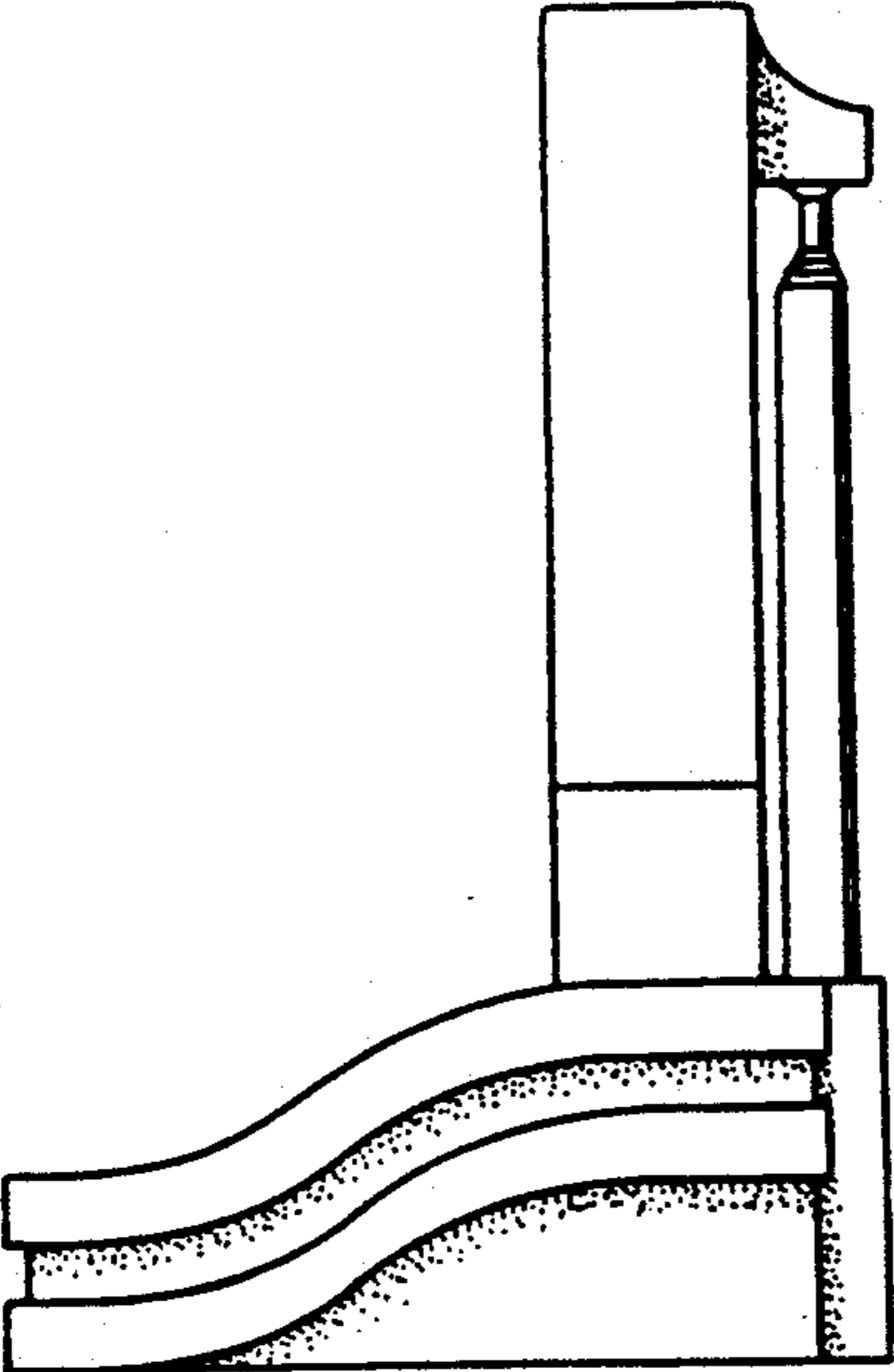


FIG. 7

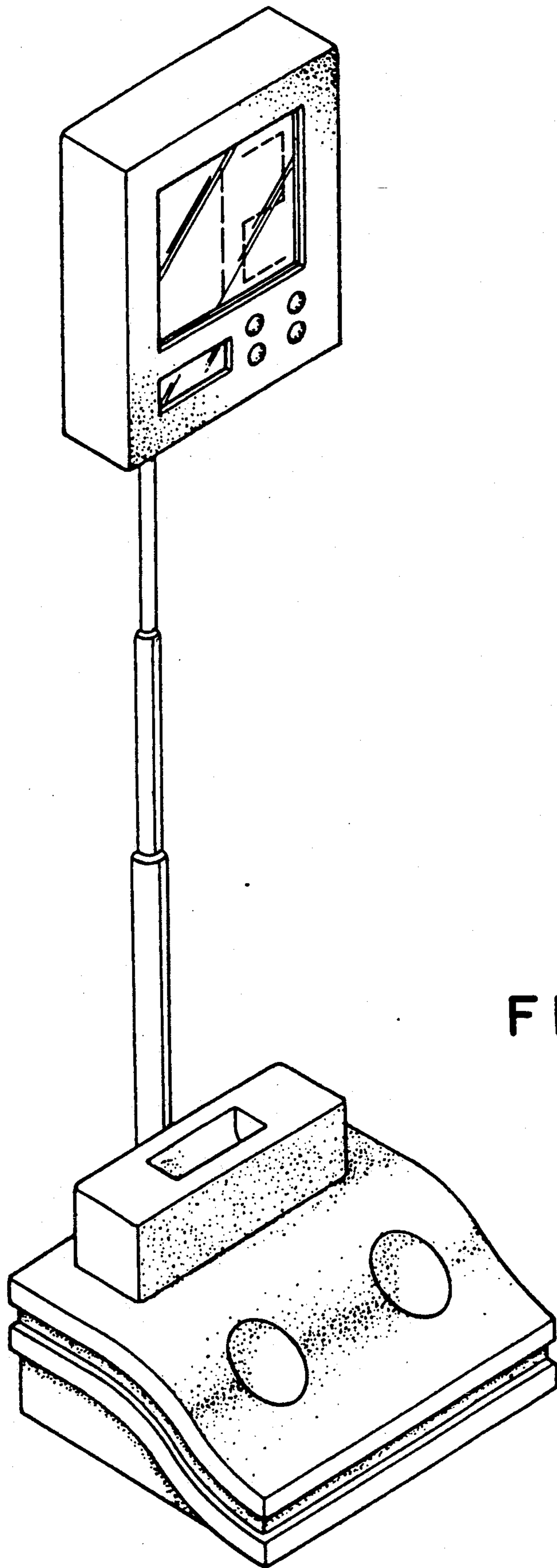


FIG.8