



US00D337779S

# United States Patent [19]

[11] Patent Number: **Des. 337,779**

Chiovitti

[45] Date of Patent: **\*\* Jul. 27, 1993**

[54] **RECIPROCATING PRINTER**

[76] Inventor: **Angelo M. Chiovitti, 585 Joslin Rd., Harrisville, R.I. 02830**

[\*\*] Term: **14 Years**

[21] Appl. No.: **522,966**

[22] Filed: **May 14, 1990**

[52] U.S. Cl. .... **D18/50; D18/56**

[58] Field of Search ..... **D18/13, 34, 19; D14/111; 400/613, 613.1-613.4, 691-694, 624; 101/9, 18, 21, 28, 29, 41, 42, 150, 420, 287, 316, 333, 301, 318, 305, 310, 334, 314**

4,347,787	9/1982	Takada et al. ....	101/333
4,419,931	12/1983	Siegal .....	101/333
4,423,680	1/1984	Bishop .....	101/318
4,566,386	1/1986	Davison .....	101/305
4,694,747	9/1987	Marozzi .....	101/301
4,760,788	8/1988	Marozzi et al. ....	101/333
4,838,158	6/1989	Marshall et al. ....	101/333
4,962,703	10/1990	Bishop .....	101/41

*Primary Examiner*—A. Hugo Word

*Assistant Examiner*—Cathy Anne MacCormac

[57] **CLAIM**

The ornamental design for a reciprocating printer, as shown and described.

**DESCRIPTION**

FIG. 1 is a side elevational view of a reciprocating printer showing my new design;

FIG. 2 is a front elevational view thereof;

FIG. 3 is a top plan view thereof;

FIG. 4 is a bottom plan view thereof;

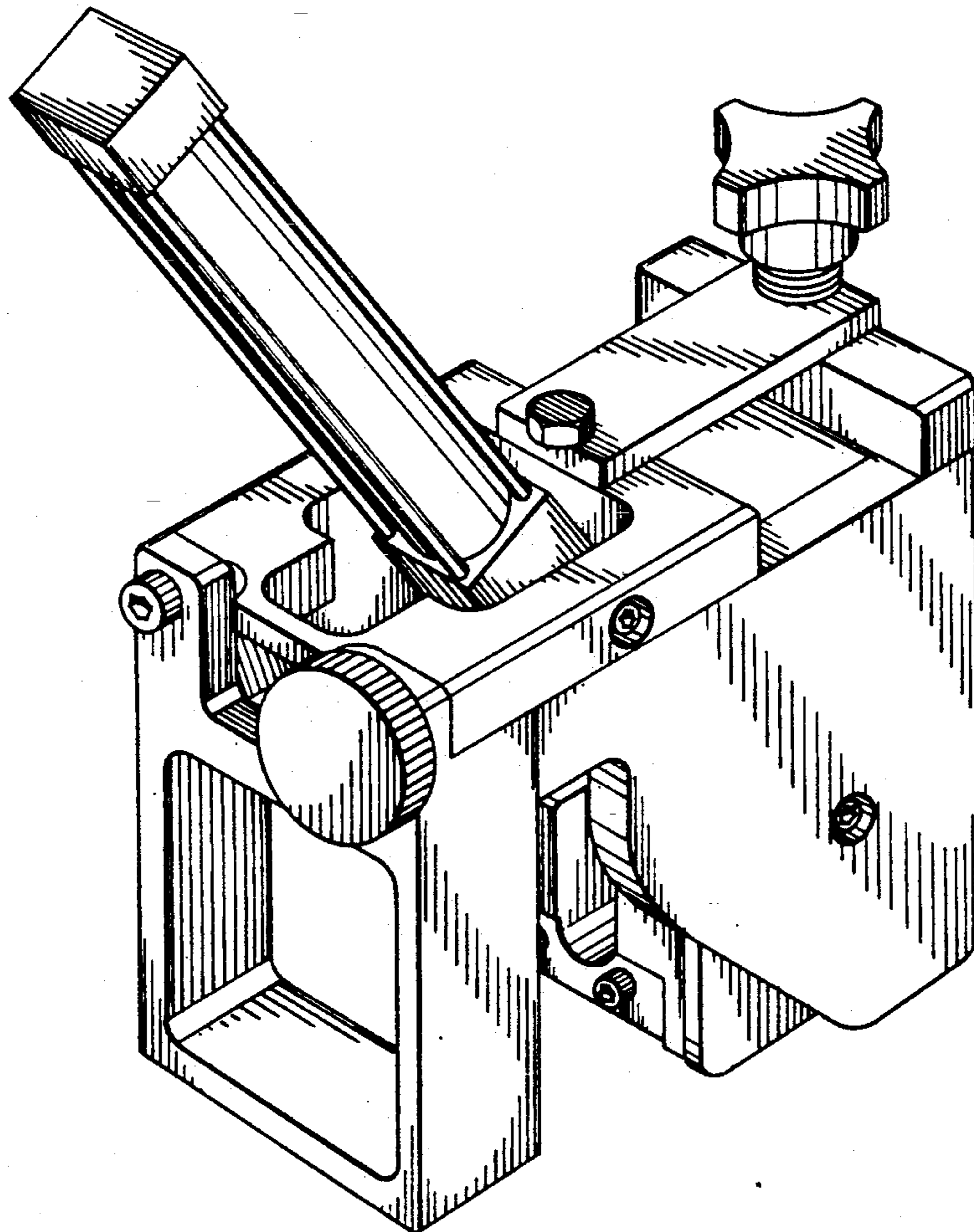
FIG. 5 is a rear elevational view thereof; and,

FIG. 6 is a rear perspective view thereof.

[56] **References Cited**

**U.S. PATENT DOCUMENTS**

D. 273,202	3/1984	Oglander et al. ....	D18/19
D. 295,639	5/1988	Oglander et al. ....	D18/19
4,004,511	1/1977	de Groot .....	101/301
4,181,560	1/1980	Maitland .....	101/333
4,223,204	9/1980	Benedict .....	101/9



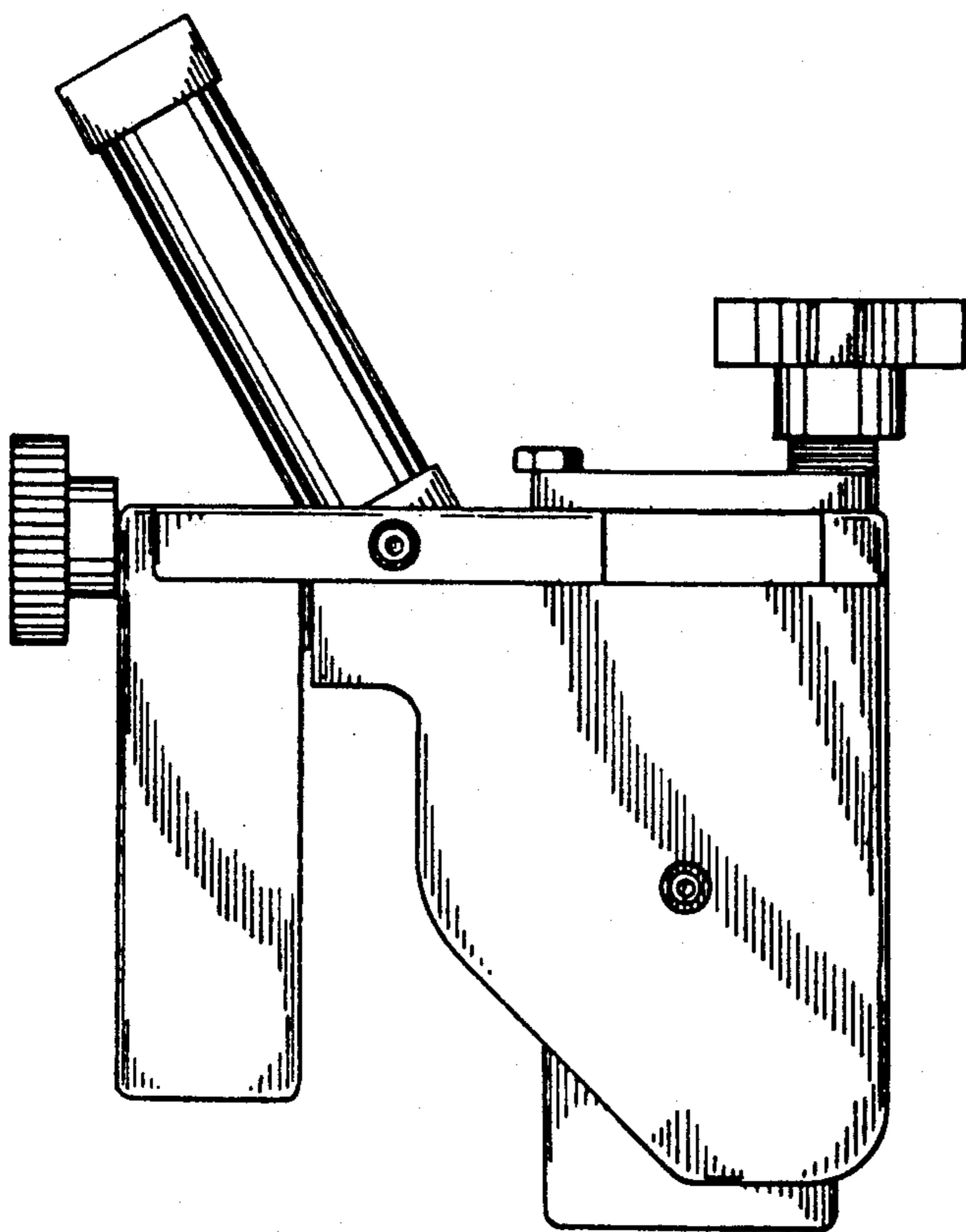


FIG. 1

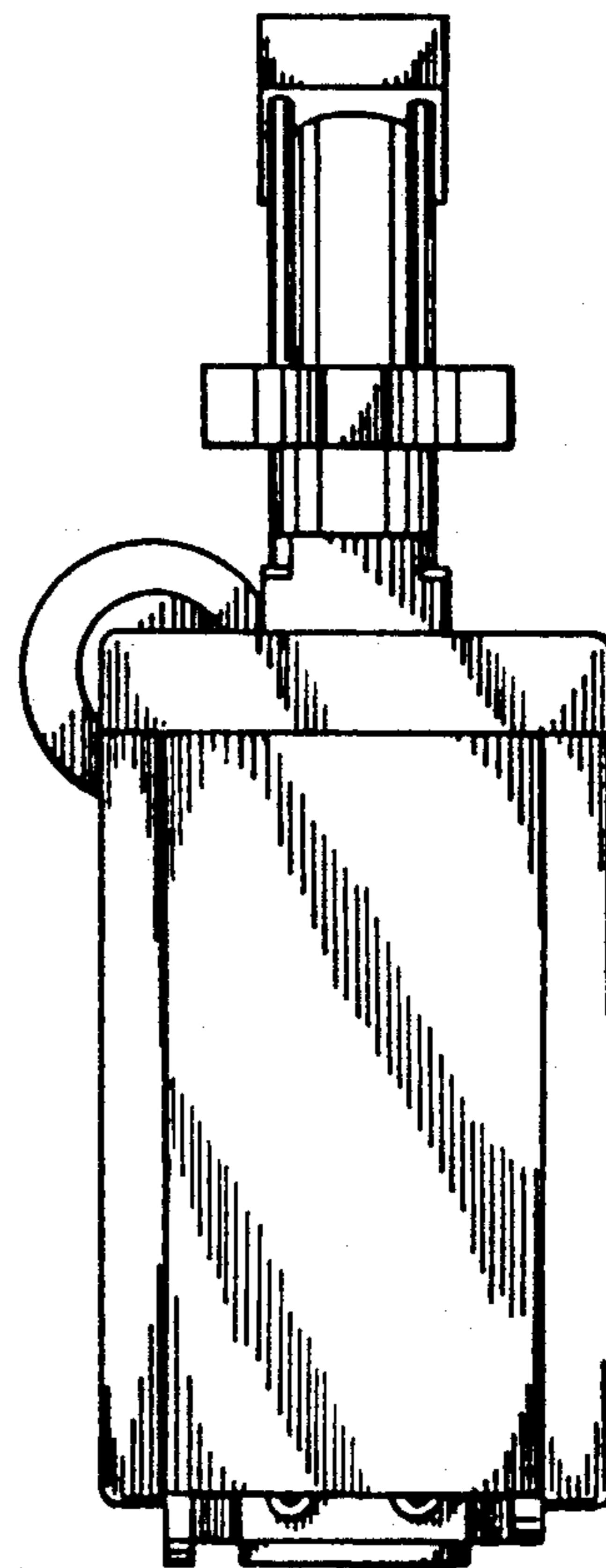


FIG. 2

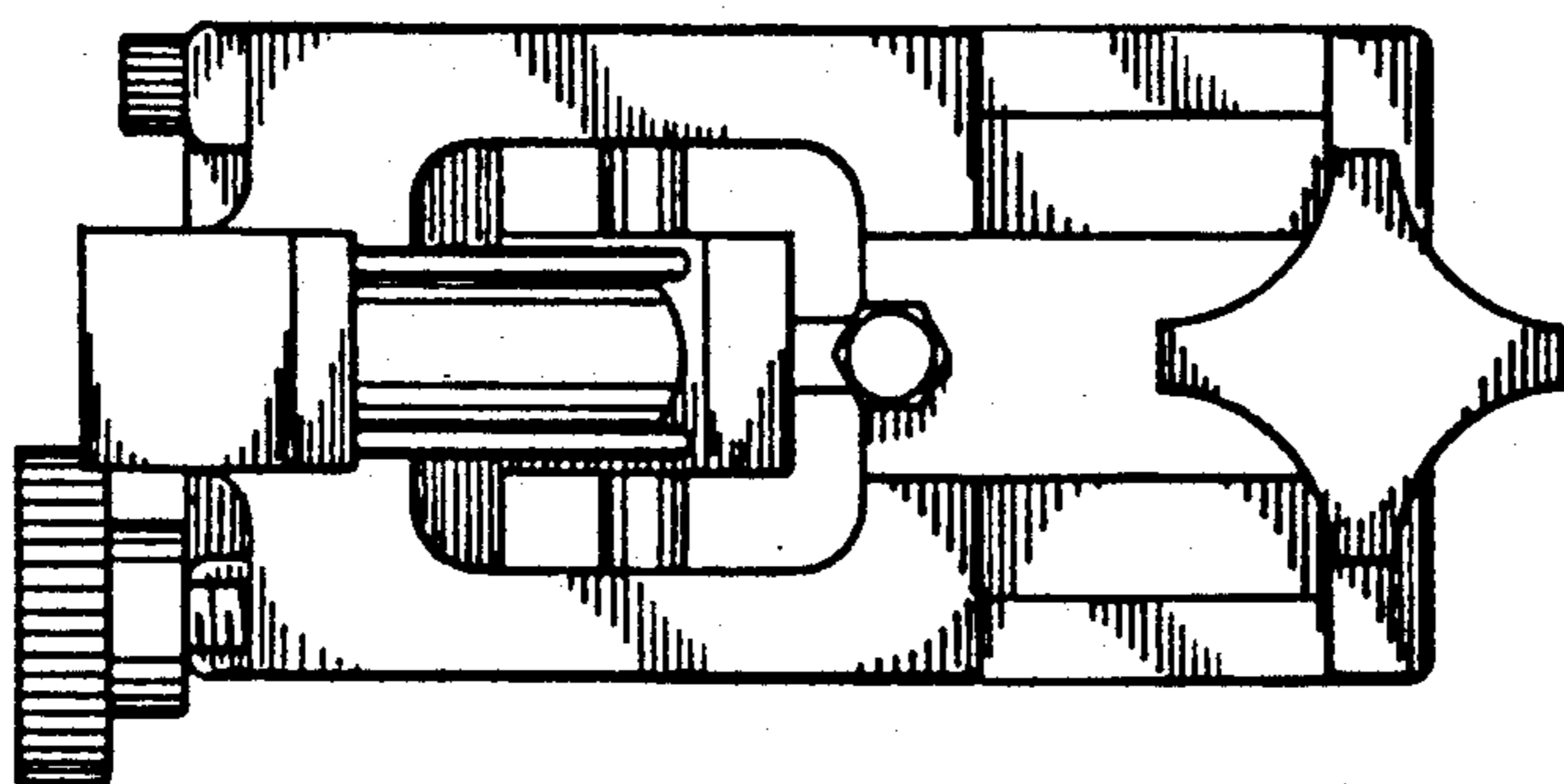


FIG. 3

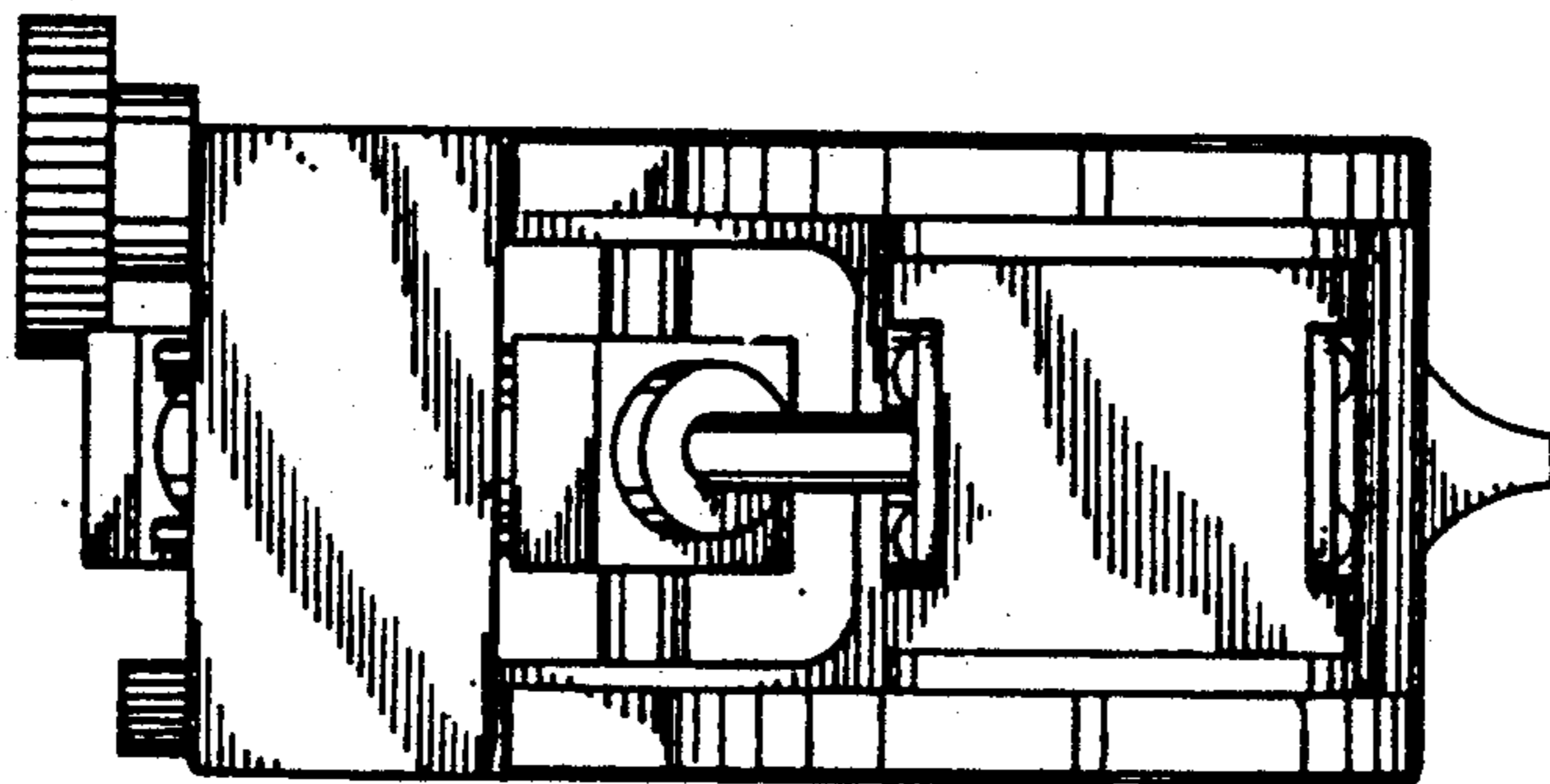


FIG. 4

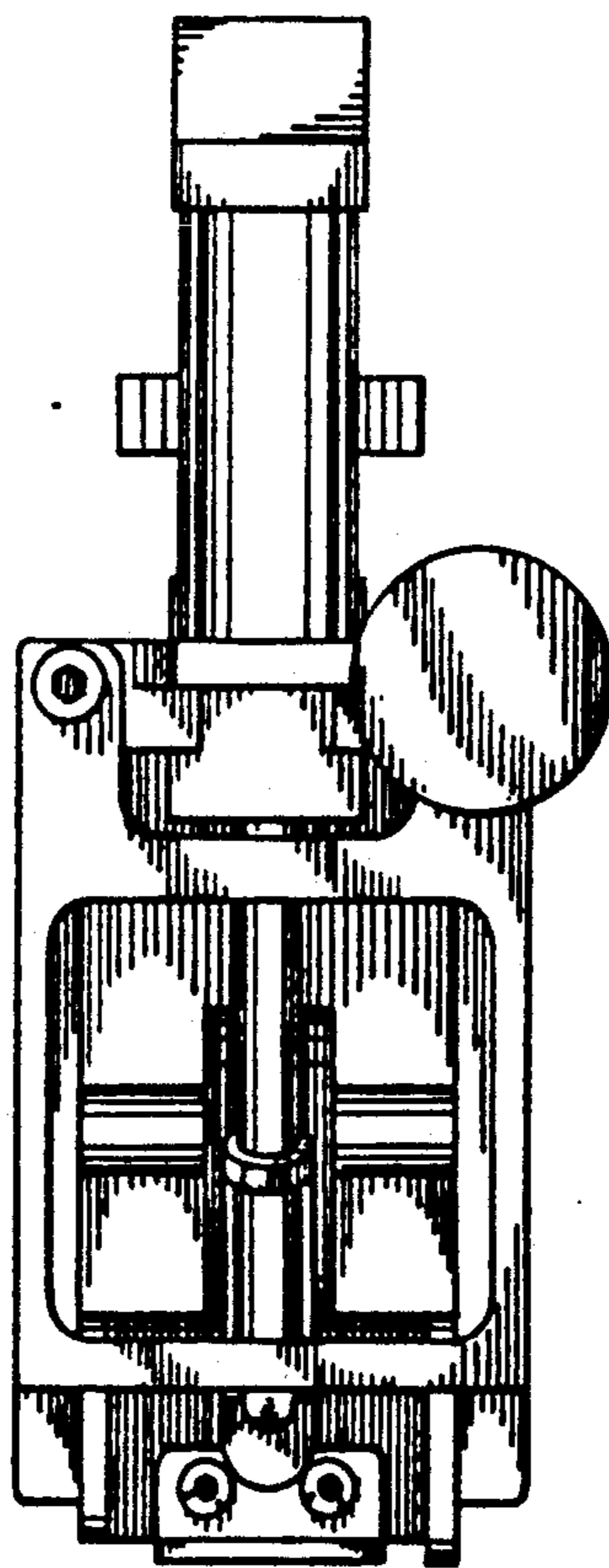


FIG. 5

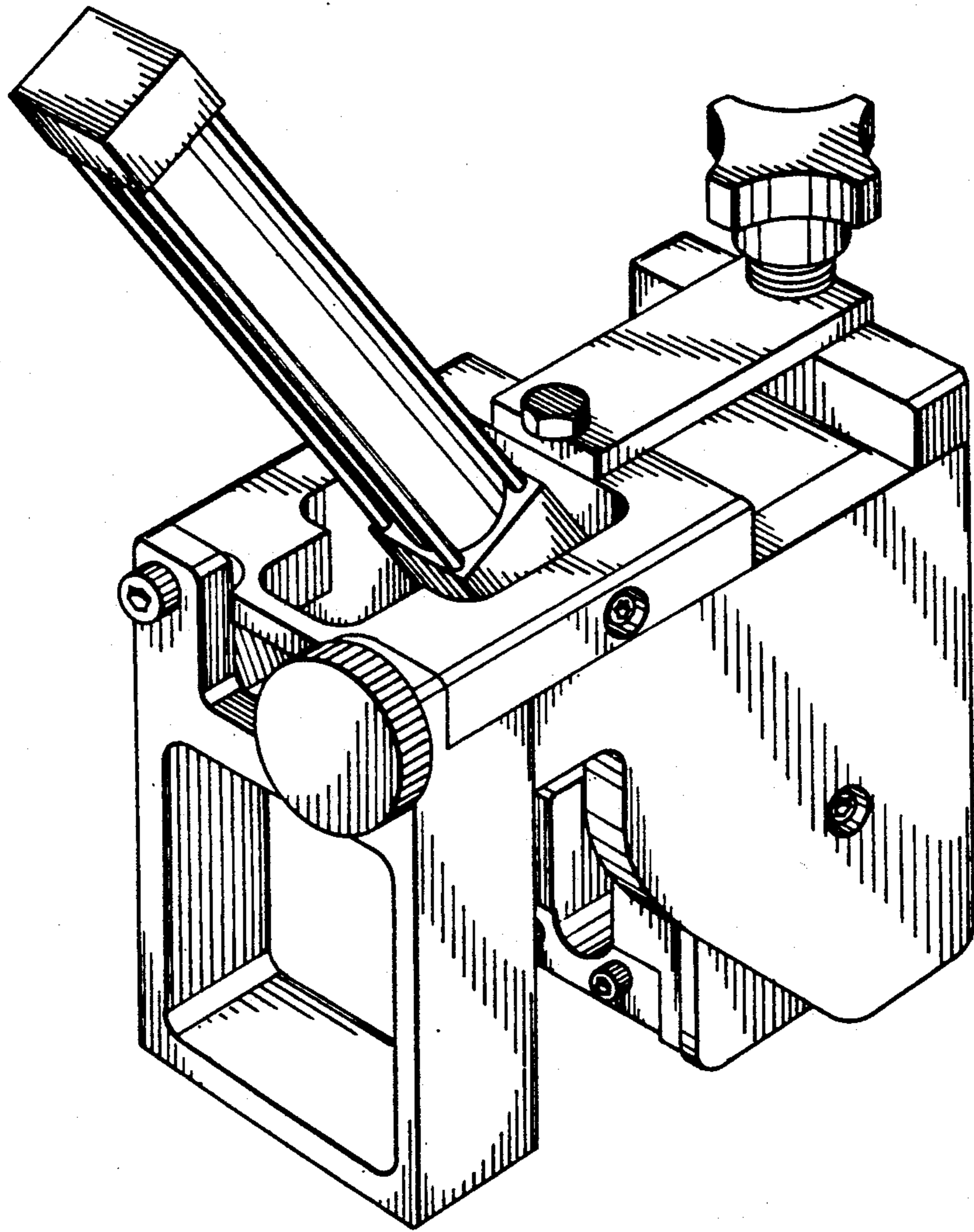


FIG. 6