



US00D33777S

United States Patent [19]

[11] Patent Number: **Des. 337,777**

Takahashi

[45] Date of Patent: **** Jul. 27, 1993**

[54] **LENS FOR A SINGLE-LENS REFLEX CAMERA**

D. 271,698 12/1983 Shishido D16/134 X
D. 302,169 7/1989 Kimura et al. D16/134

[75] Inventor: **Akio Takahashi, Tokyo, Japan**

OTHER PUBLICATIONS

[73] Assignee: **Asahi Kogaku Kogyo K.K., Tokyo, Japan**

Popular Photography, Apr. 1989, p. 42, Sigma APO Lens.

[**] Term: **14 Years**

Primary Examiner—A. Hugo Word
Assistant Examiner—Doris V. Coles
Attorney, Agent, or Firm—Sughrue, Mion, Zinn, Macpeak & Seas

[21] Appl. No.: **782,451**

[22] Filed: **Oct. 25, 1991**

[57] CLAIM

[30] Foreign Application Priority Data

Apr. 26, 1991 [JP] Japan 3-12533

The ornamental design for a lens for a single-lens reflex camera, as shown.

[52] U.S. Cl. **D16/134**

[58] Field of Search D16/134; 354/286, 288 R,
354/195.1, 195.12; 359/819, 811, 815, 826, 827,
704, 823, 703

DESCRIPTION

[56] References Cited

U.S. PATENT DOCUMENTS

D. 179,518 1/1957 Martinez D16/134
D. 203,882 2/1966 Hoogesteger D16/134

FIG. 1 is a front elevational view of a lens for a single-lens reflex camera showing my new design;
FIG. 2 is a rear elevational view thereof;
FIG. 3 is a right side elevational view thereof;
FIG. 4 is a left side elevational view thereof;
FIG. 5 is a top plan view thereof; and,
FIG. 6 is a bottom plan view thereof.

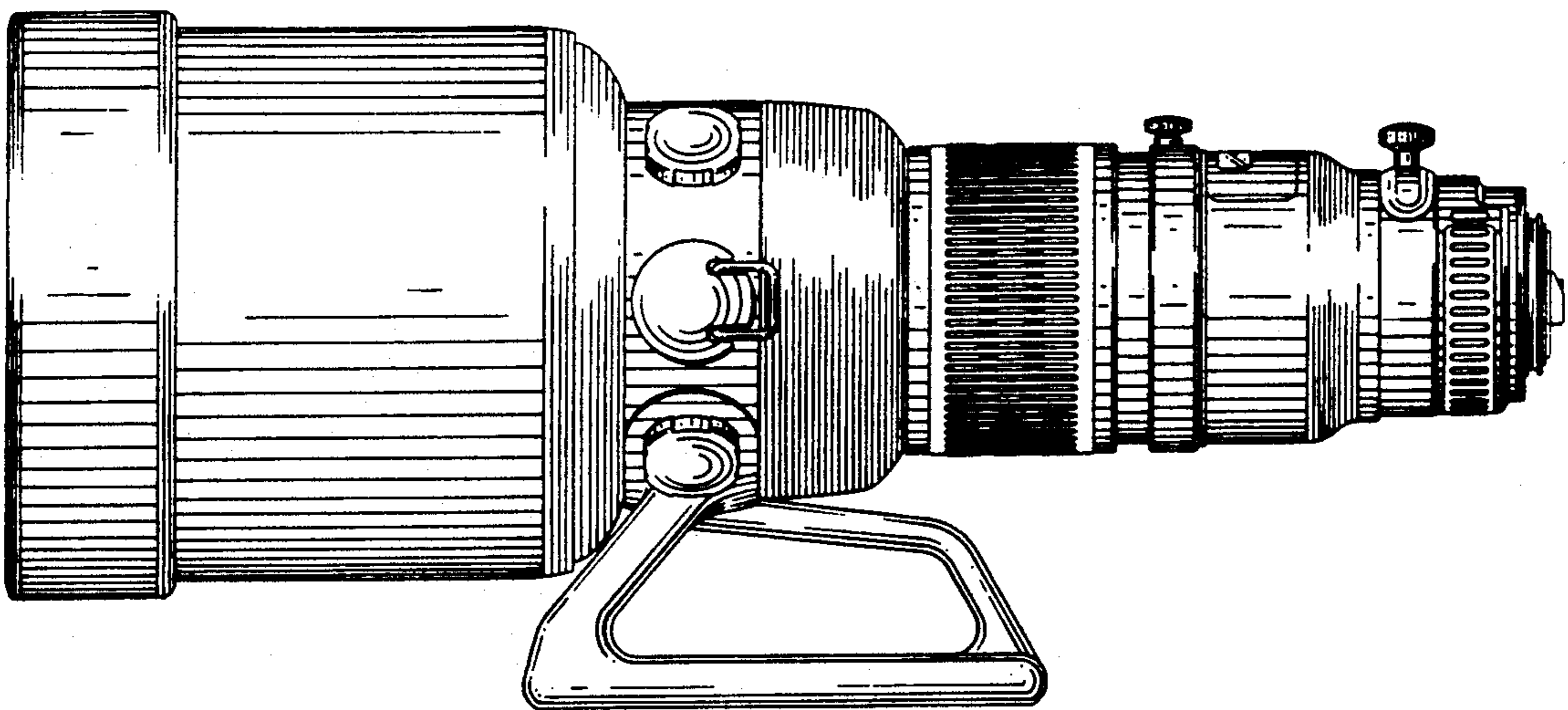


FIG. 1

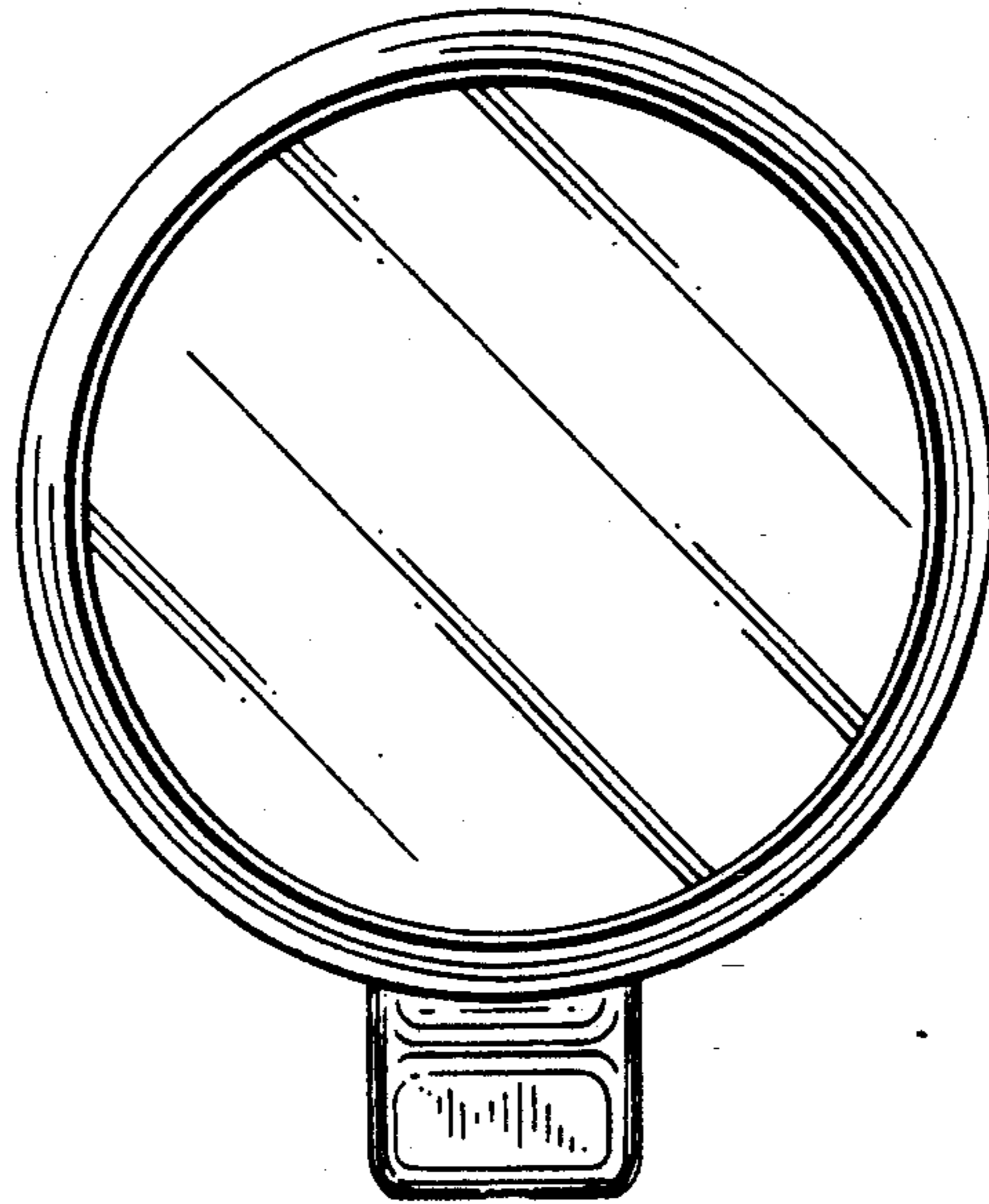


FIG. 2

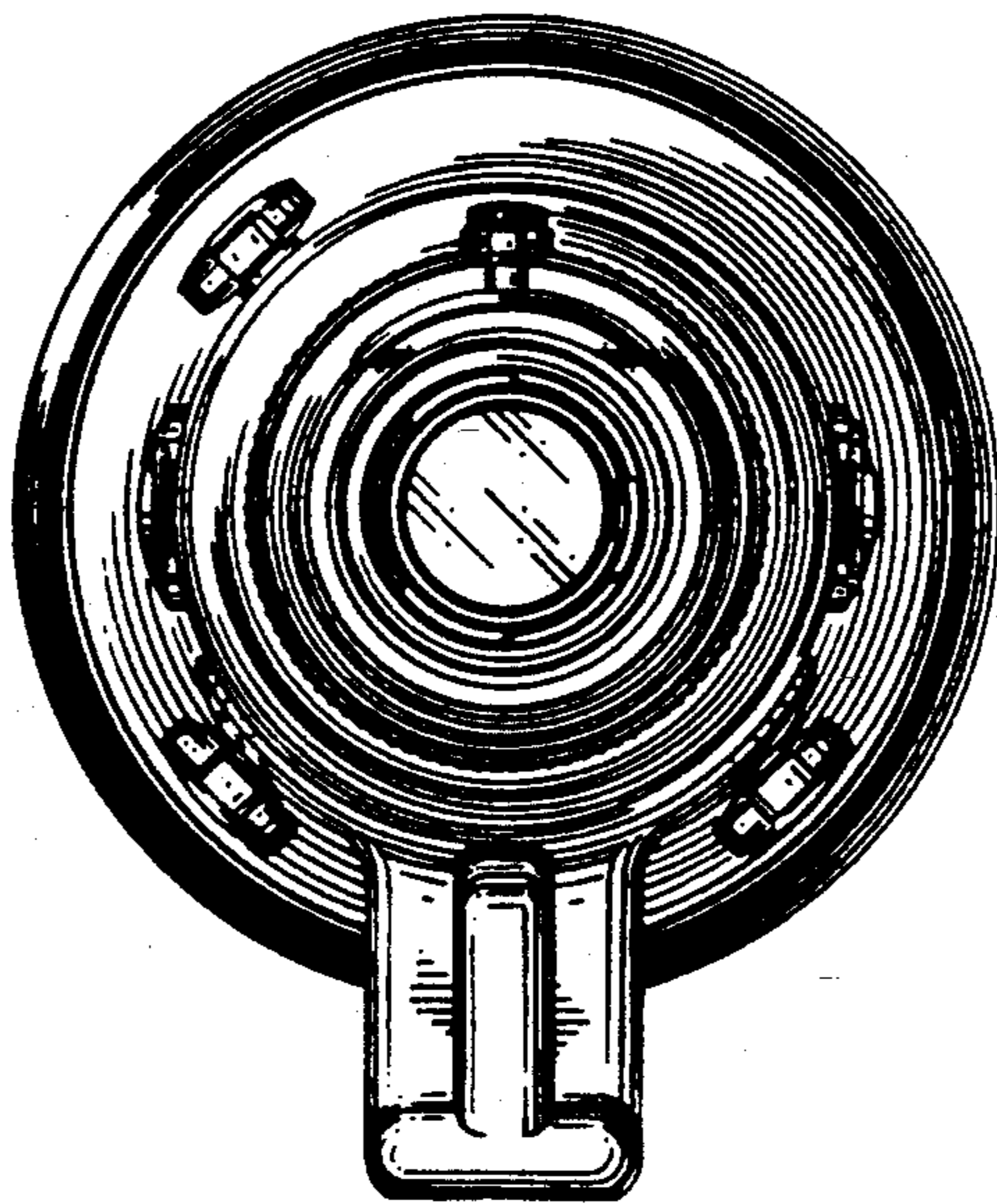


FIG. 3

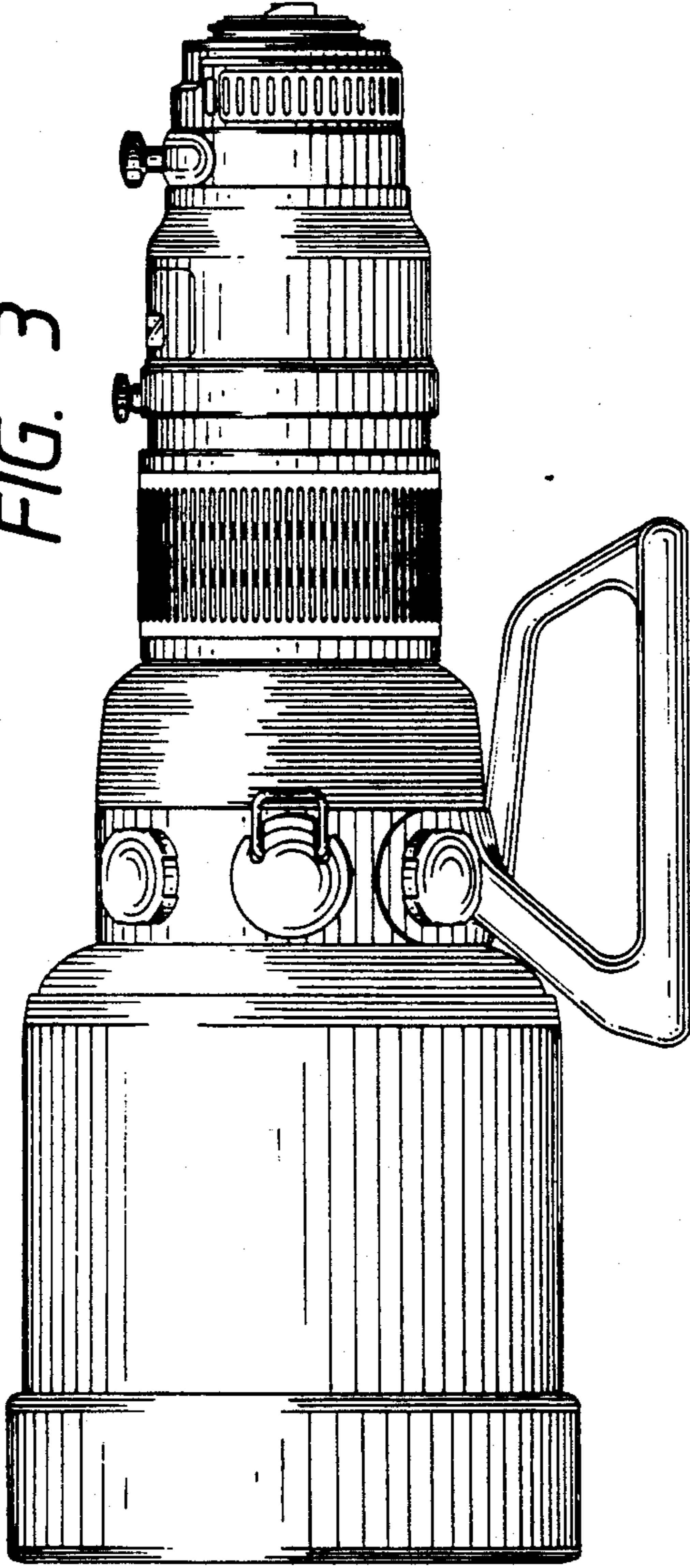


FIG. 4

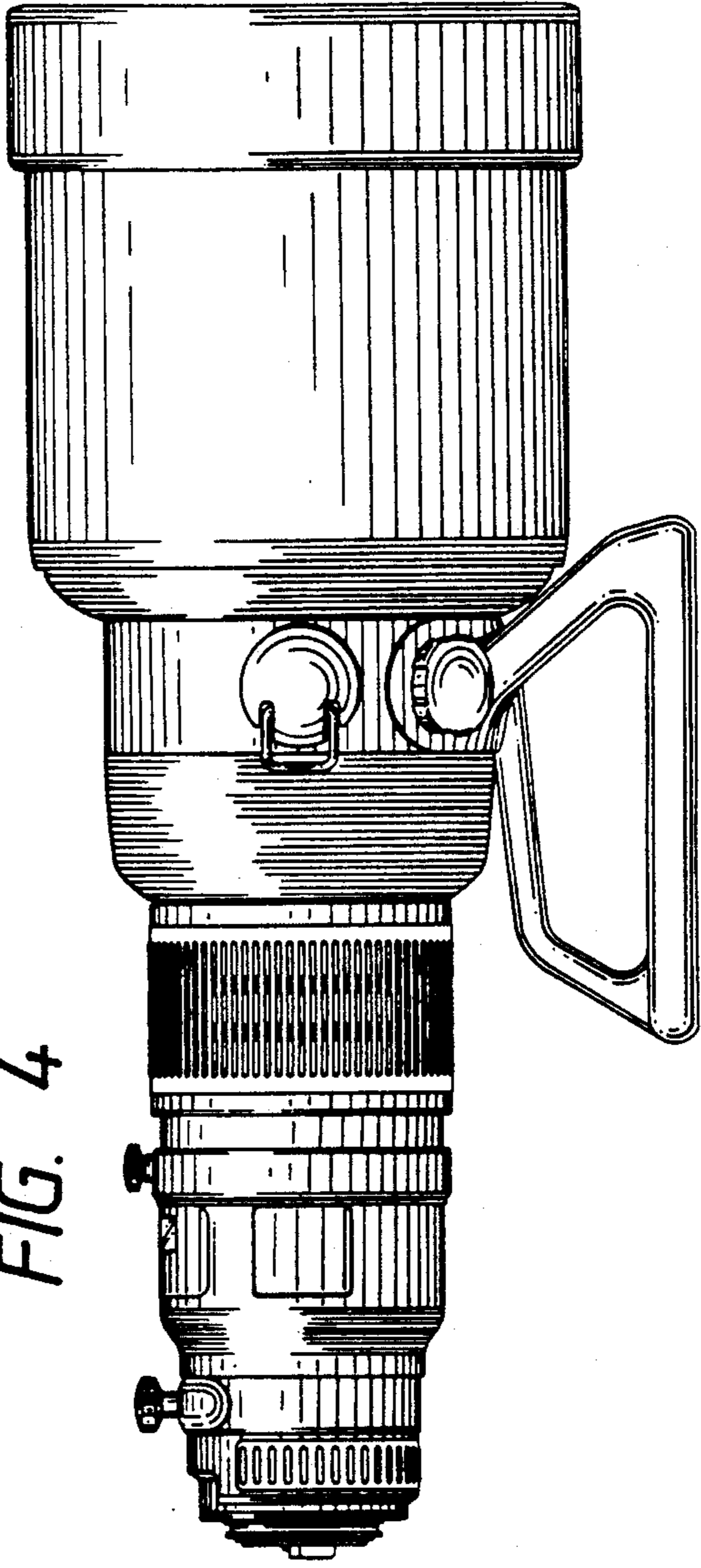


FIG. 5

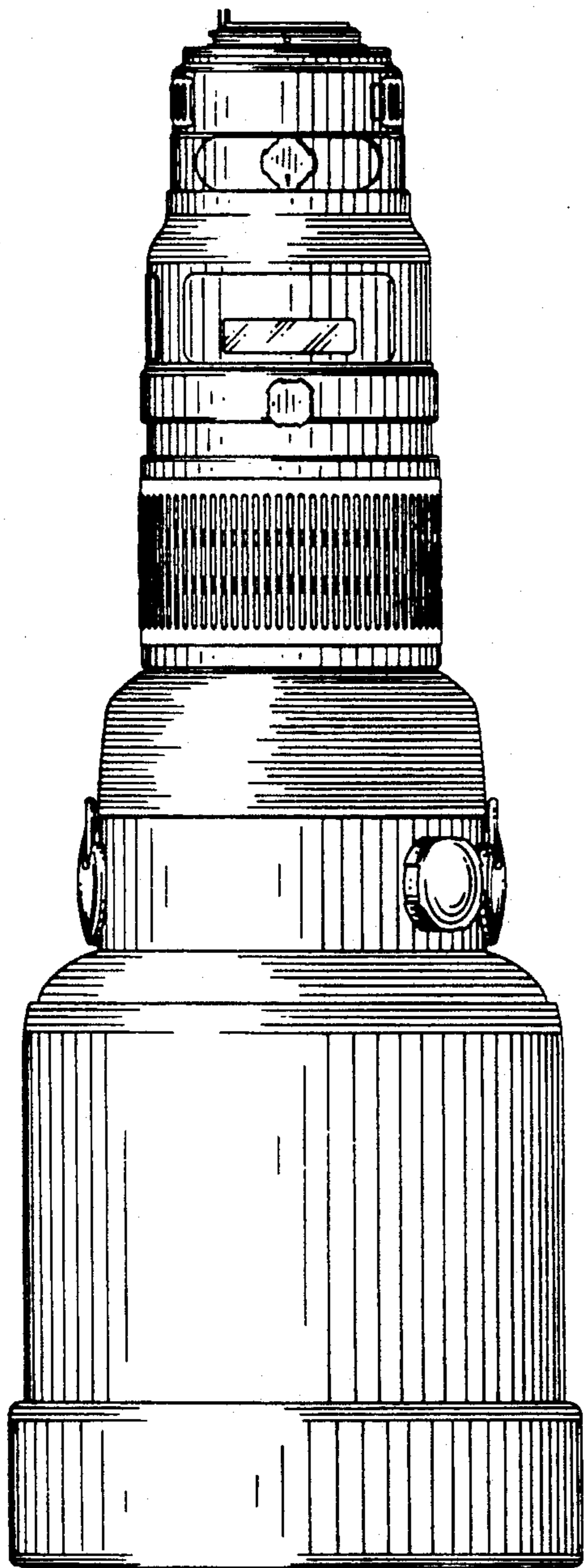


FIG. 6

