



US00D337774S

United States Patent [19]

[11] Patent Number: **Des. 337,774**

Schillinger

[45] Date of Patent: **** Jul. 27, 1993**

[54] **COMBINED LIQUID RECYCLING CONTAINER AND LID**

[75] Inventor: **James A. Schillinger, Augusta, Kans.**

[73] Assignee: **Rubbermaid Incorporated, Wooster, Ohio**

[**] Term: **14 Years**

[21] Appl. No.: **756,758**

[22] Filed: **Sep. 9, 1991**

[52] U.S. Cl. **D15/150; D23/205**

[58] Field of Search **D23/201, 202-205; D15/150-152; 220/1.5, 2, 561, 565, 571, 573; 141/98, 332, 339; 206/503, 505, 511, 513**

[56] **References Cited**

U.S. PATENT DOCUMENTS

4,098,398	4/1978	Meyers	206/223
4,296,838	10/1981	Cohen	184/106
4,403,692	9/1983	Pollacco	206/223
4,524,866	6/1985	Pollacco	206/223
4,557,395	12/1985	Delay, Jr.	141/98 X
4,640,431	2/1987	Harrisson	220/1
4,673,081	6/1987	Habig et al.	206/223
4,702,290	10/1987	Perez	141/332
4,756,349	7/1988	Atkins	141/383
4,756,411	7/1988	Garland	206/223
4,762,155	8/1988	Gruber	141/10
4,775,067	10/1988	Mount	141/98 X
4,802,599	2/1989	Hill	220/1
4,815,591	3/1989	Tivy	206/223
4,823,947	4/1989	Maynard, Jr.	141/98 X
4,856,652	8/1989	Bowland	206/223
4,880,156	11/1989	Wallet	232/43.1
4,895,250	1/1990	Schifrin	206/223
4,930,602	6/1990	Gust	184/106
4,974,647	12/1990	Eastom	141/98

OTHER PUBLICATIONS

Sell Sheet, Oil Drain Pan, Contico Automotive, A Divi-

sion of Contico Automotive, 1101 Warson Road, St. Louis, MO 63132, Publication date Aug. 1986.

Sell Sheet, Drain Pans, Contico, A Division of Contico Automotive, 1101 Warson Road, St. Louis, MO 63132, Publication date Apr. 1990.

Sell Sheet, Oilwell, Allied Plastics, Inc., Gastonia, NC. Publication date 1990.

Page 15, Oil Pan, Rubbermaid Incorporated, Specialty Products Division, 6250 North Honeytown Road, Smithville, Ohio. Publication date 1989.

Primary Examiner—Wallace R. Burke

Assistant Examiner—M. H. Tung

Attorney, Agent, or Firm—Richard B. O'Planick; Lisa B. Riedesel

[57] **CLAIM**

The ornamental design for a combined liquid recycling container and lid, as shown and described.

DESCRIPTION

FIG. 1 is a top left front perspective view of a combined liquid recycling container and lid showing our new design;

FIG. 2 is a top left front perspective view of a combined liquid recycling container and lid, shown with a lid;

FIG. 3 is a front elevational view thereof;

FIG. 4 is a rear elevational view thereof;

FIG. 5 is a side elevational view thereof; the opposite side being a mirror image;

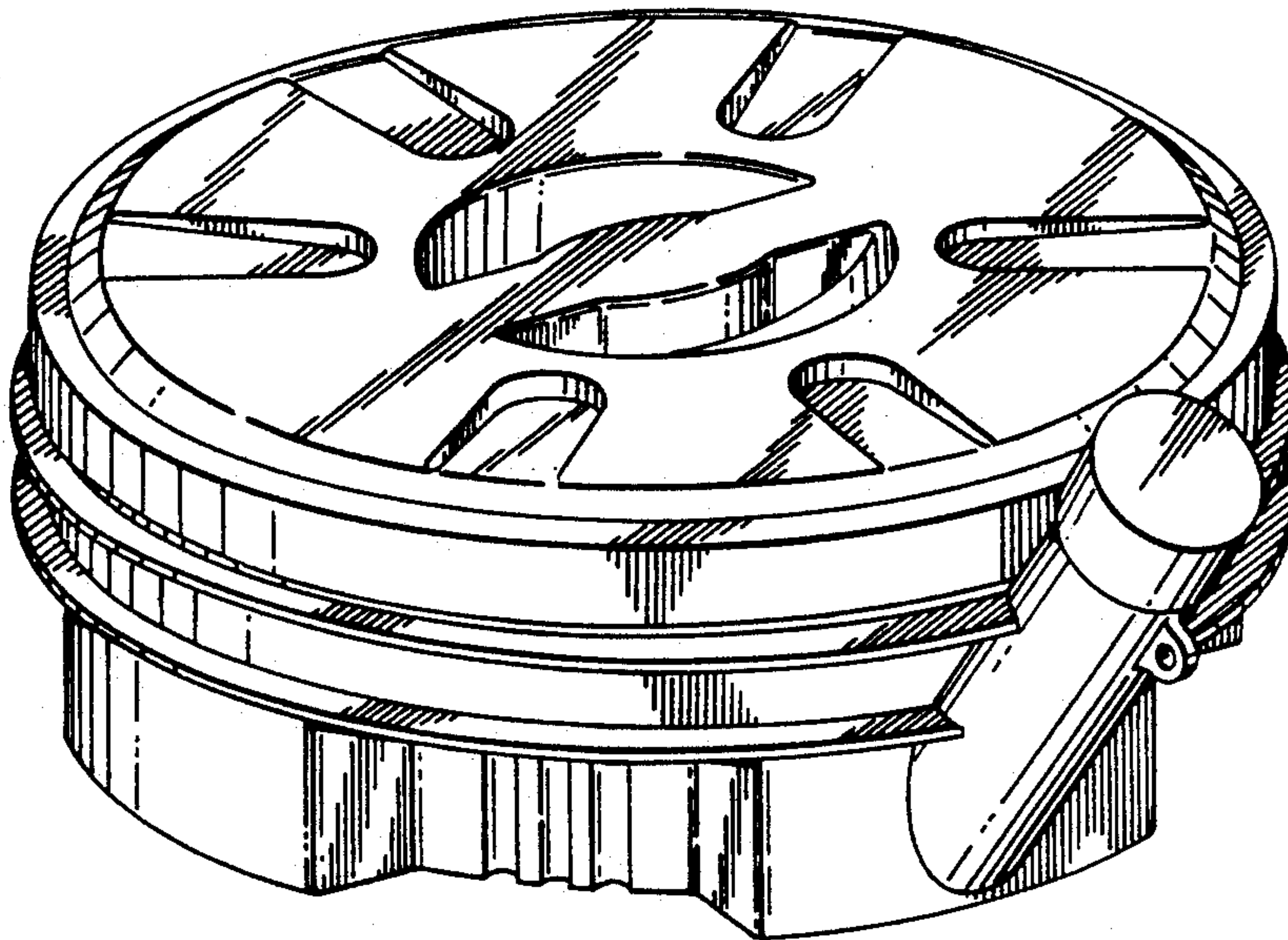
FIG. 6 is a top plan view thereof;

FIG. 7 is a bottom plan view thereof;

FIG. 8 is a cross-sectional view thereof, taken on line 8—8 of FIG. 6; and,

FIG. 9 is a top plan view thereof, on a reduced scale.

The lid is not shown in FIGS. 2-8 for clarity of illustration.



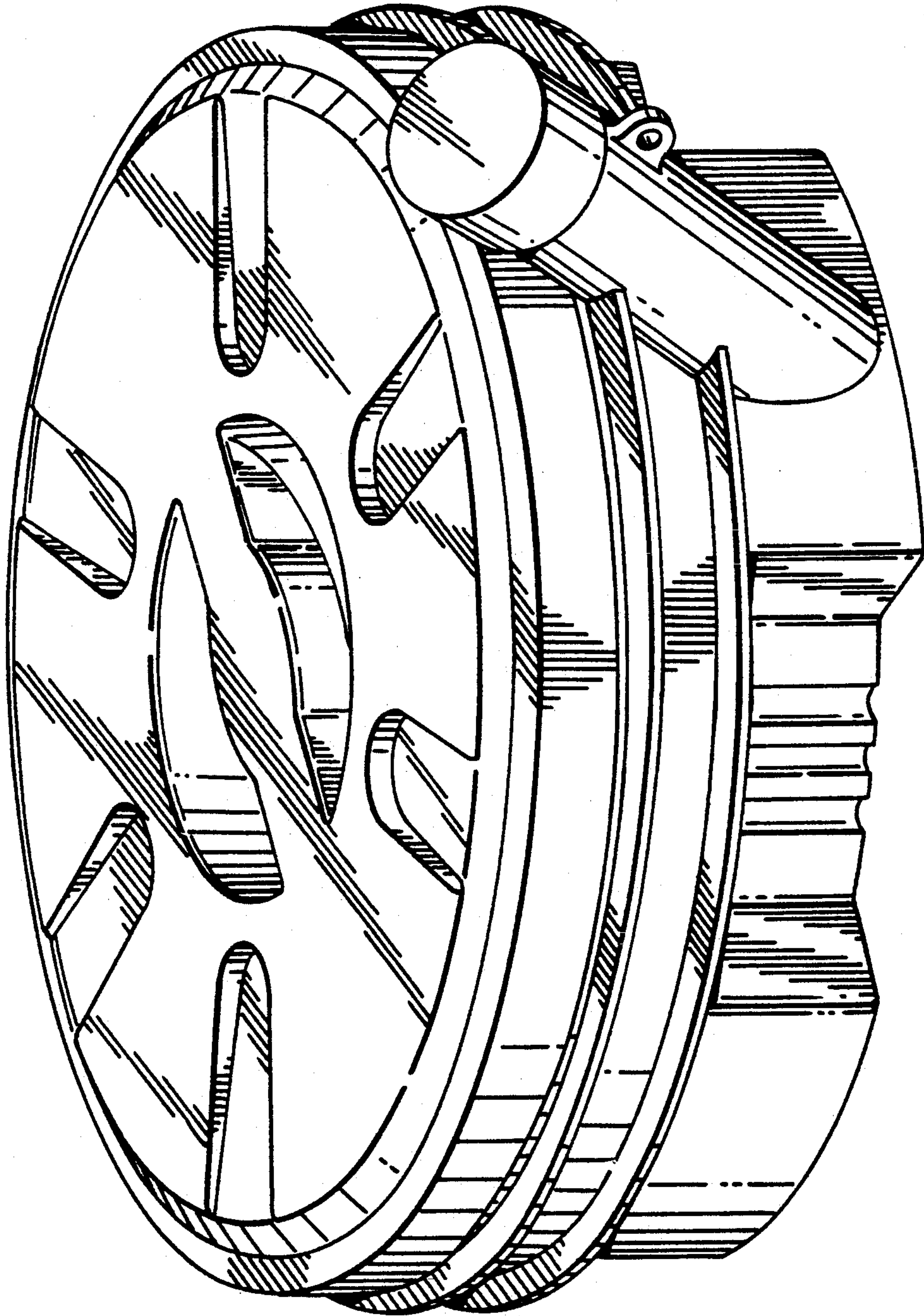


FIG. 1

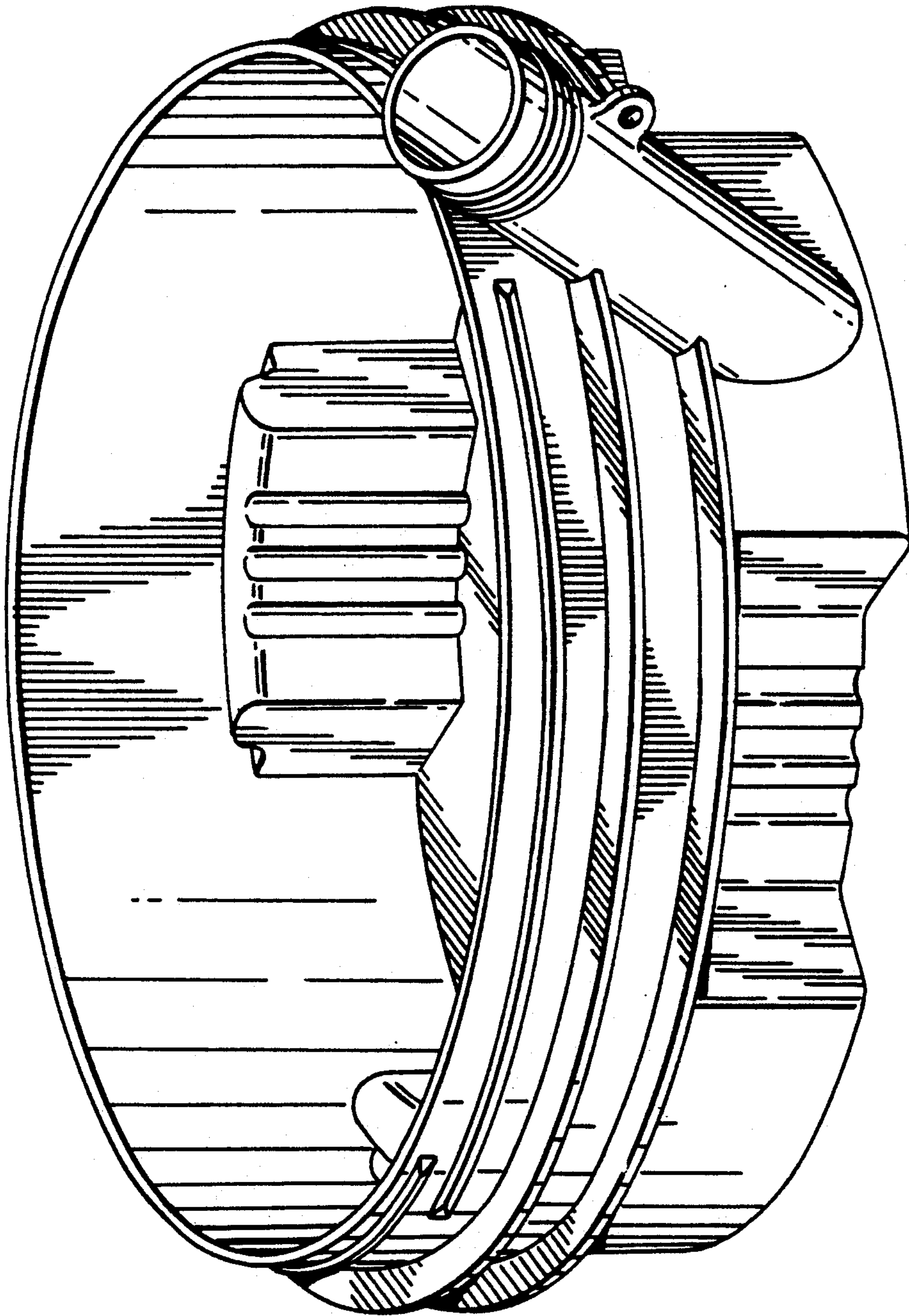


FIG. 2

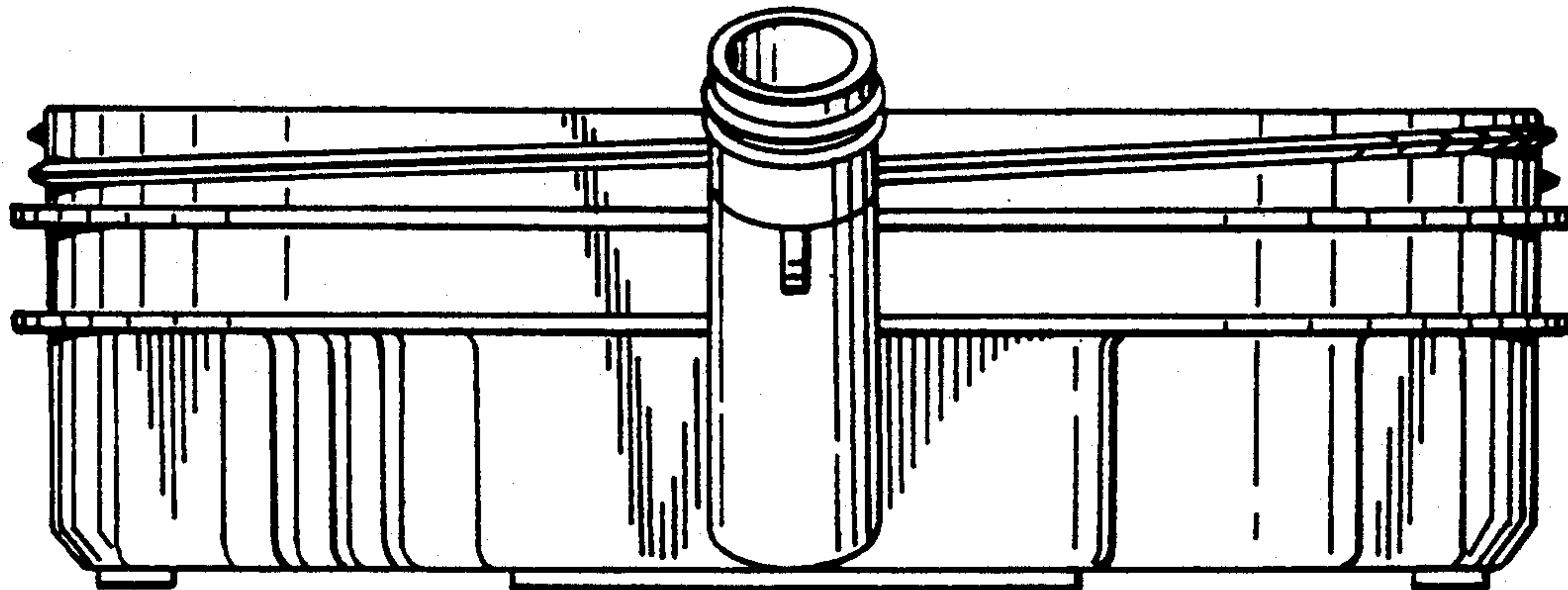


FIG. 3

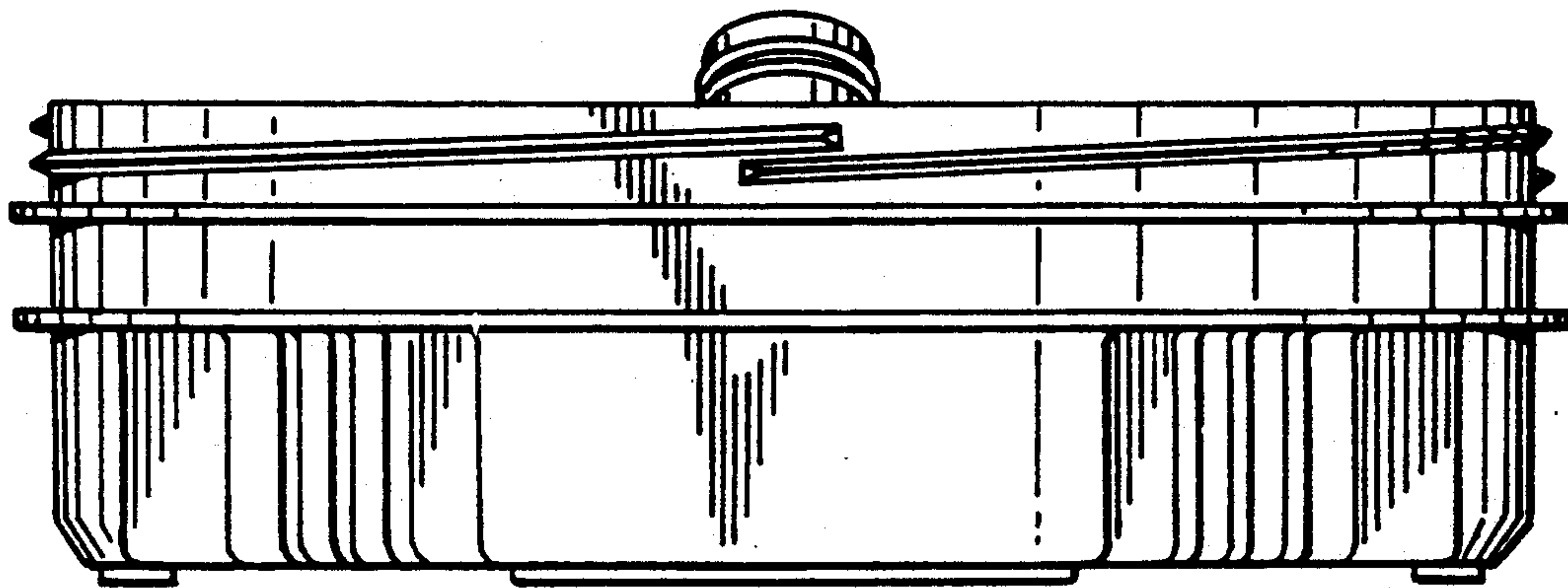


FIG. 4

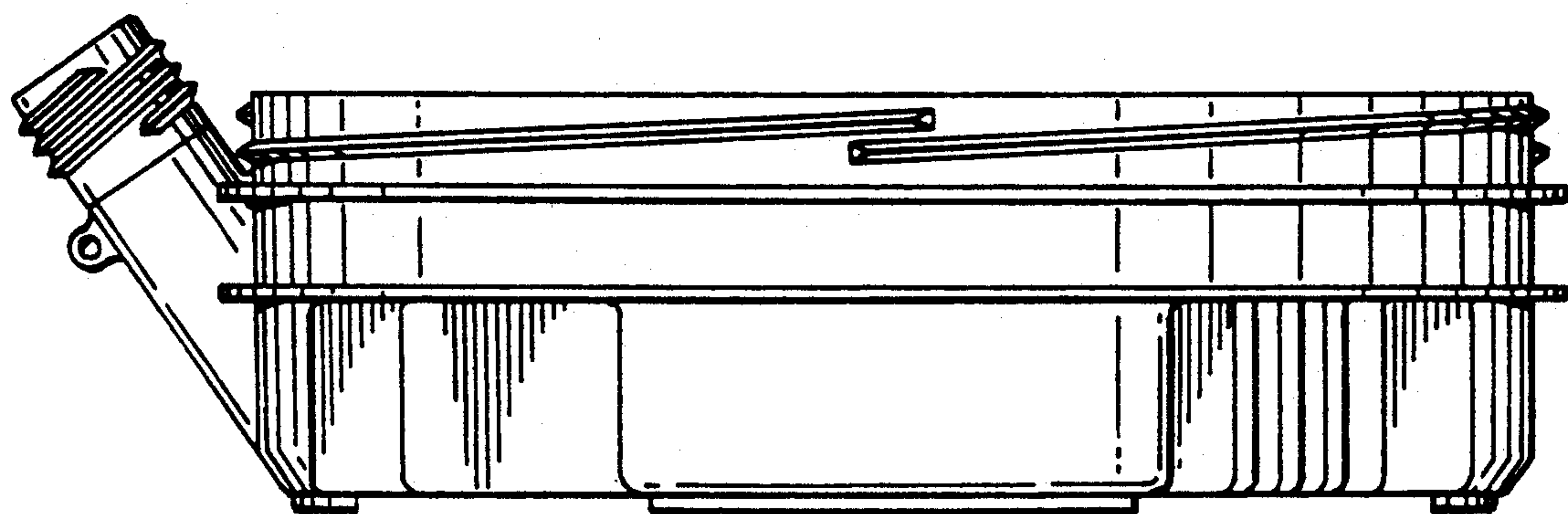


FIG. 5

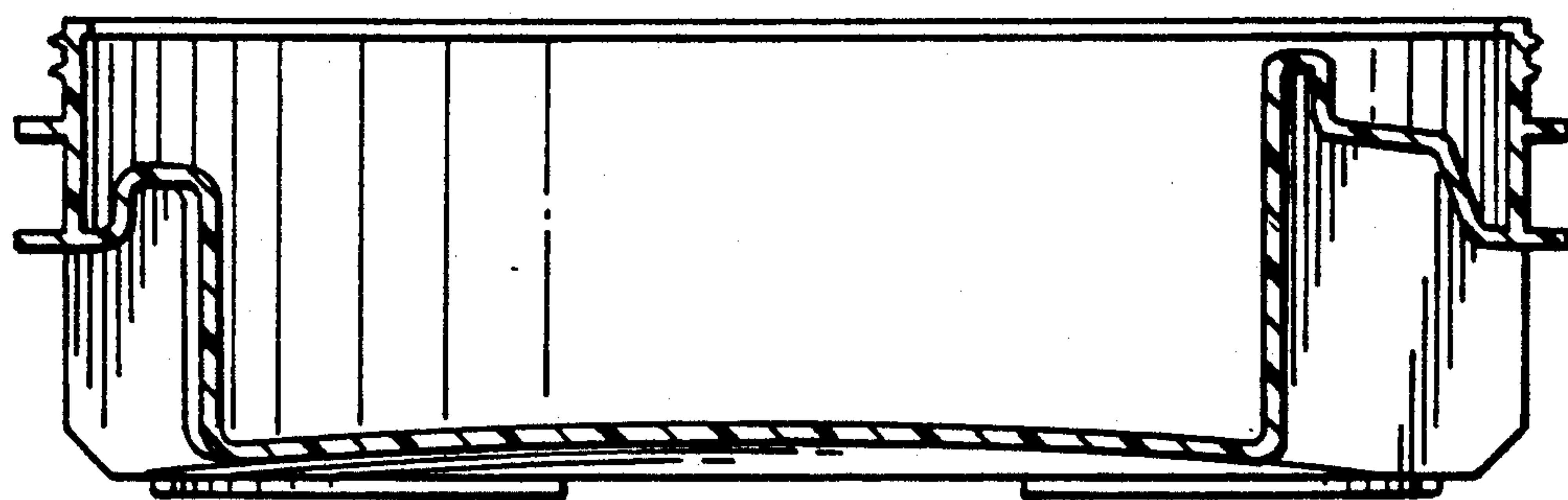


FIG. 8

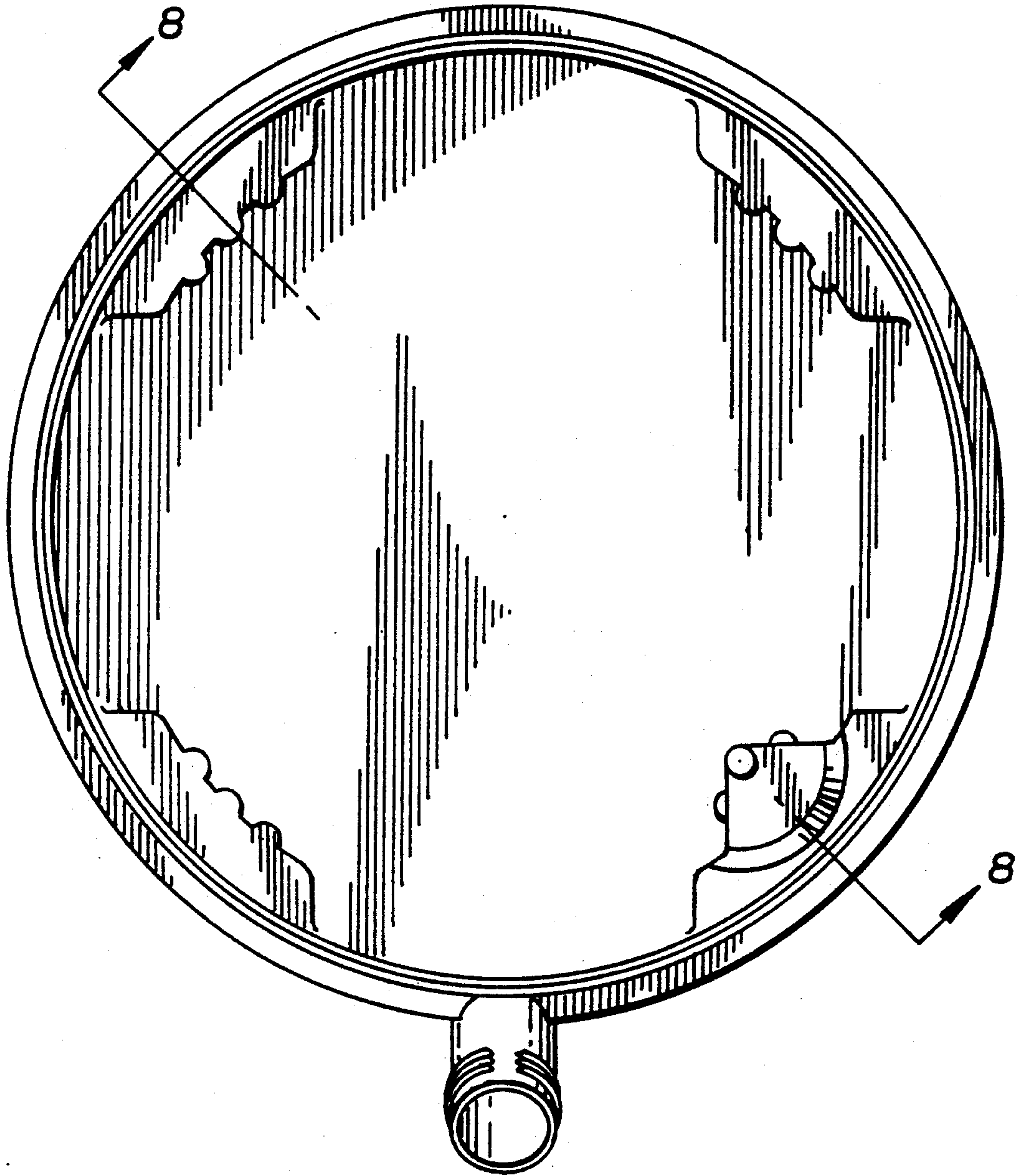


FIG. 6

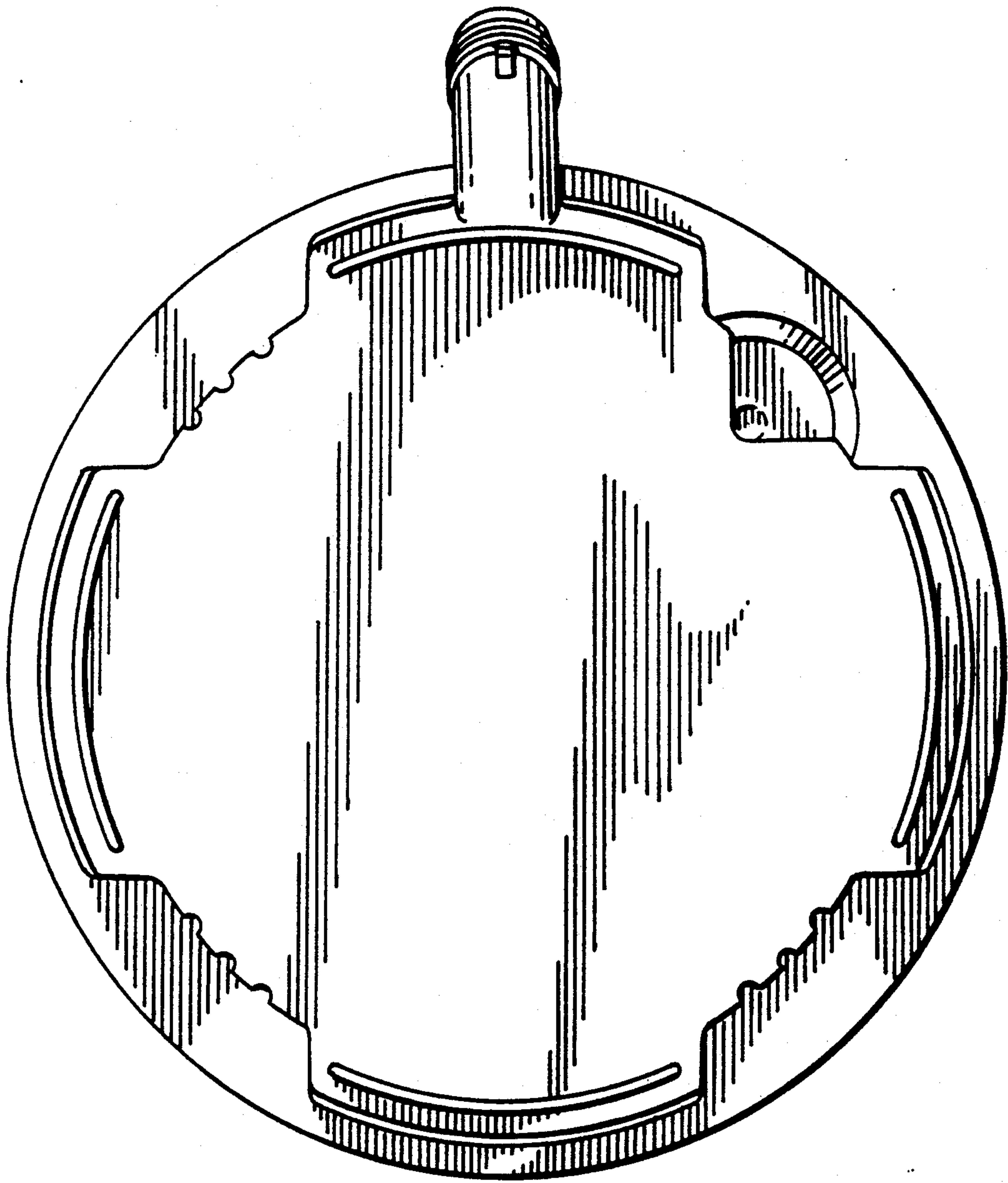


FIG. 7

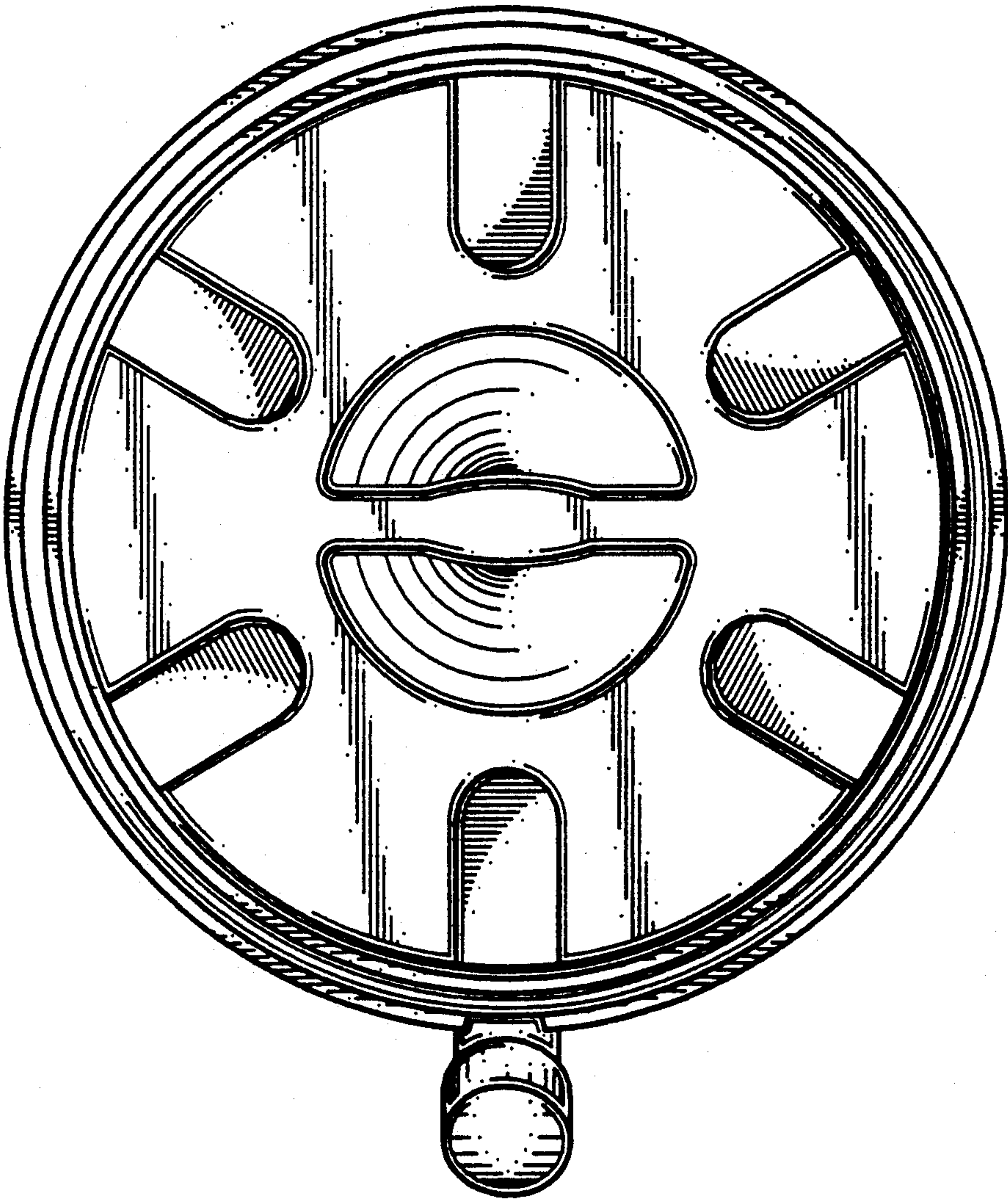


FIG. 9

UNITED STATES PATENT AND TRADEMARK OFFICE
CERTIFICATE OF CORRECTION

PATENT NO. : Des. 337,774
DATED : July 27, 1993
INVENTOR(S) : James A. Schillinger

It is certified that error appears in the above-identified patent and that said Letters Patent is hereby corrected as shown below:

On the Title Page, under item [19], change "Schillinger" to --Maple, et al-- and item [75], insert --Wade A.F. Maple, Wooster, Ohio;-- before "James".

Signed and Sealed this
Nineteenth Day of April, 1994

Attest:



BRUCE LEHMAN

Attesting Officer

Commissioner of Patents and Trademarks