



US00D337773S

United States Patent [19]

[11] Patent Number: **Des. 337,773**

Jones

[45] Date of Patent: **** Jul. 27, 1993**

[54] **COMBINATION OIL FILTER OPENER AND CANISTER CRUSHER ASSEMBLY**

5,125,331 6/1992 Wood 100/37

[76] Inventor: **John E. Jones, 178 Shadow Valley, San Antonio, Tex. 78227**

Primary Examiner—Alan P. Douglas
Assistant Examiner—Antoine D. Davis
Attorney, Agent, or Firm—Gunn, Lee & Miller

[**] Term: **14 Years**

[57] **CLAIM**

[21] Appl. No.: **812,216**

The ornamental design of a combination oil filter opener and canister crusher assembly, as shown and described.

[22] Filed: **Dec. 23, 1991**

[52] U.S. Cl. **D15/123**

[58] Field of Search **D15/122, 123; 100/37, 100/98 R, 264-268, 233, 284, 285, 276, 294, 902**

DESCRIPTION

[56] **References Cited**

U.S. PATENT DOCUMENTS

D. 277,864	3/1985	Hoffman, Jr. et al.	D15/123
D. 309,463	7/1990	McDonald et al.	D15/123
4,284,000	8/1981	Almeda, Jr.	100/295 X
4,509,572	4/1985	L'Archer	D15/123 X
5,109,763	5/1992	Morris et al.	100/98 R X

FIG. 1 is a front, right side perspective view of a combination oil filter opener and canister crusher assembly showing my new design;

FIG. 2 is a top plan view thereof;

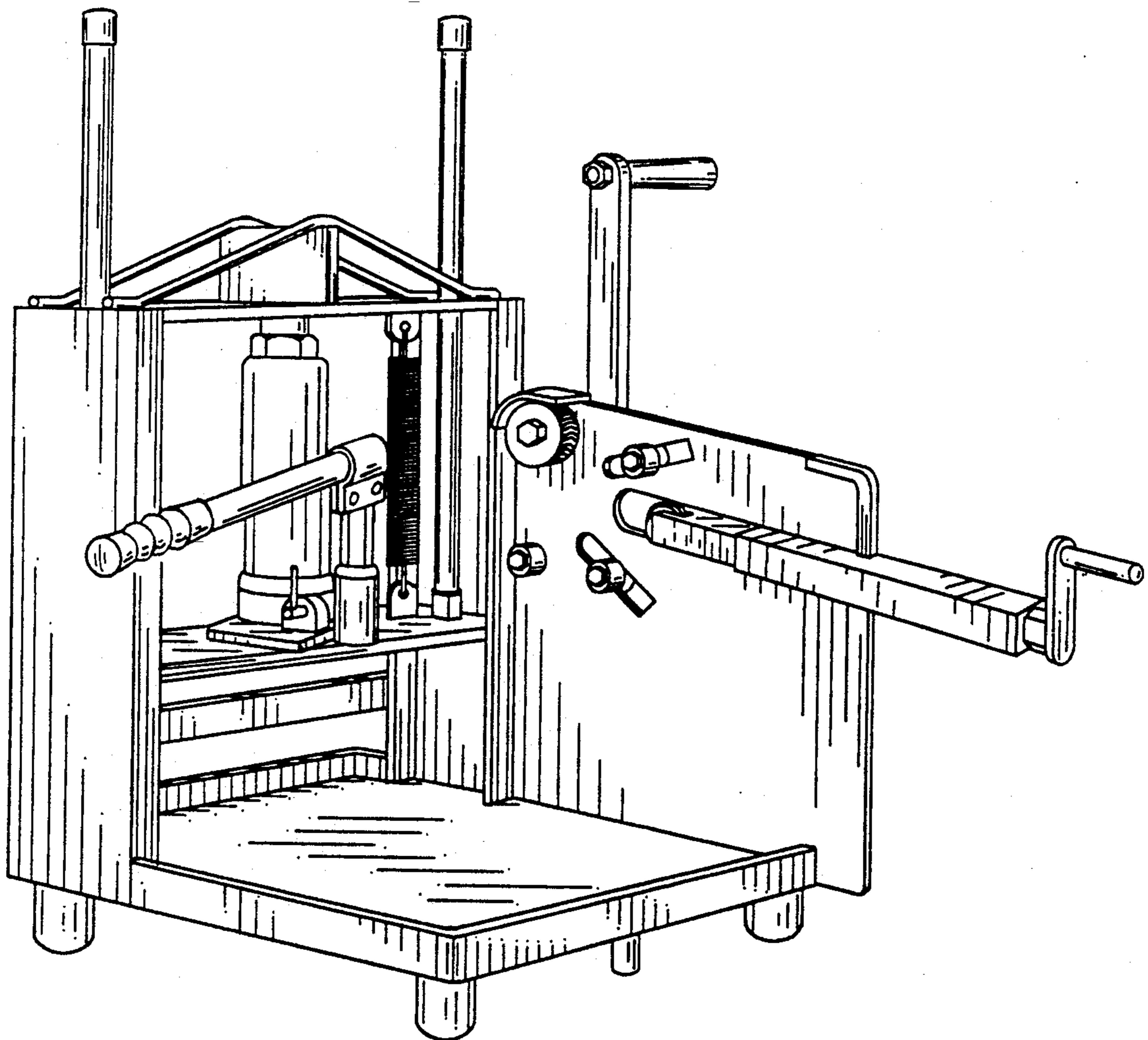
FIG. 3 is a right side elevation view thereof;

FIG. 4 is a left side elevation view thereof;

FIG. 5 is a bottom plan view thereof;

FIG. 6 is a front elevation view thereof; and,

FIG. 7 is a rear elevation view thereof.



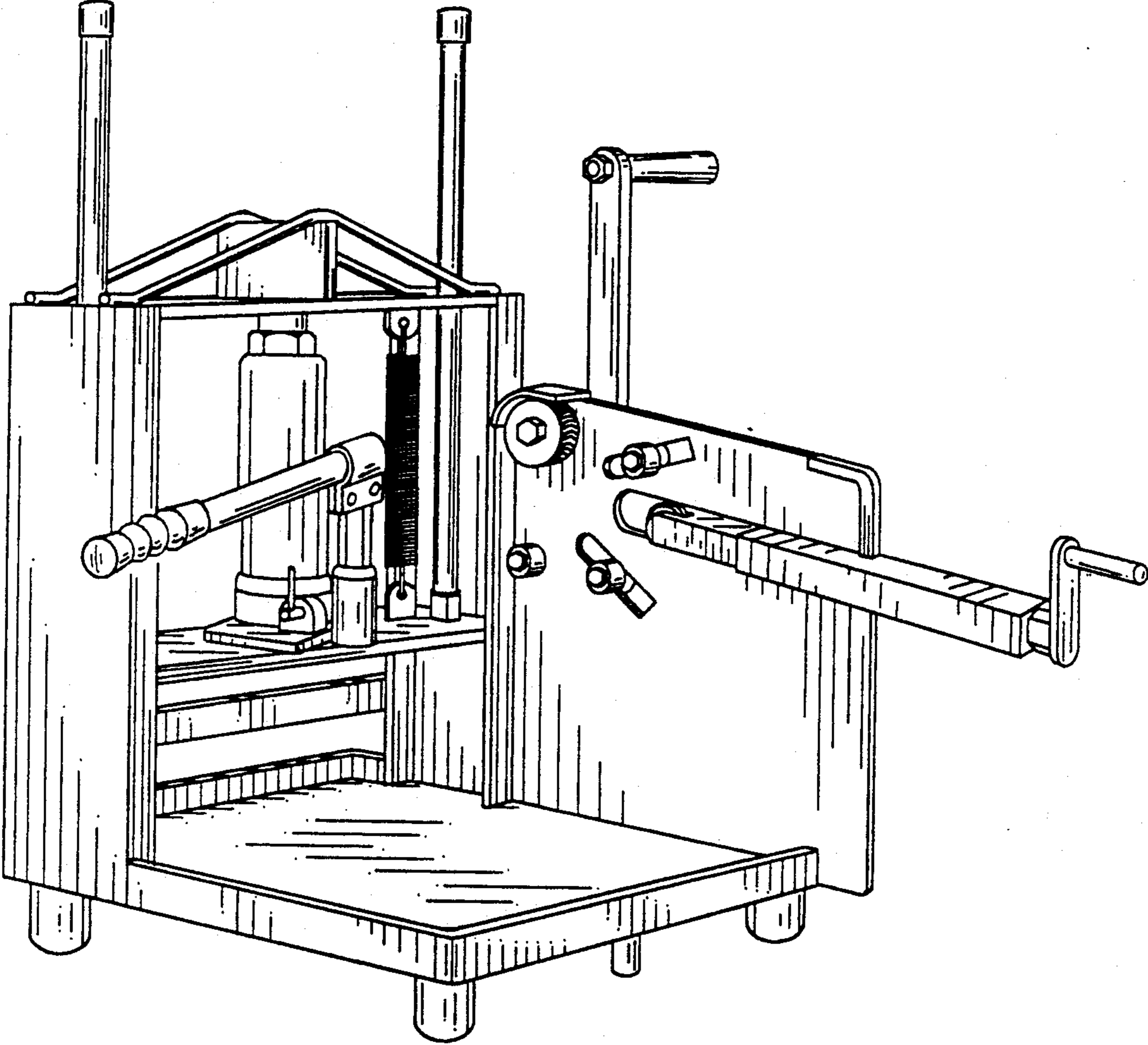


Fig. 1

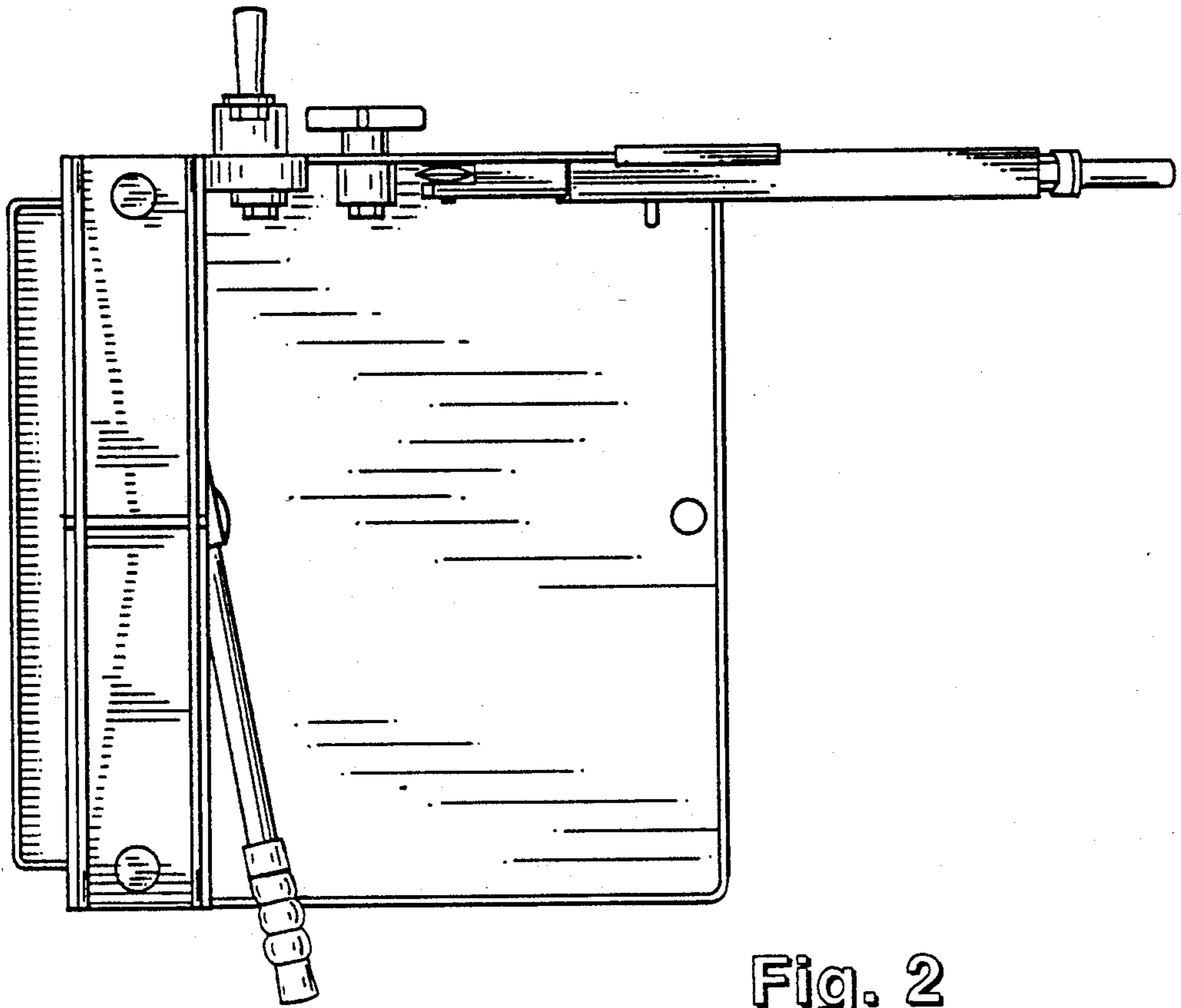


Fig. 2

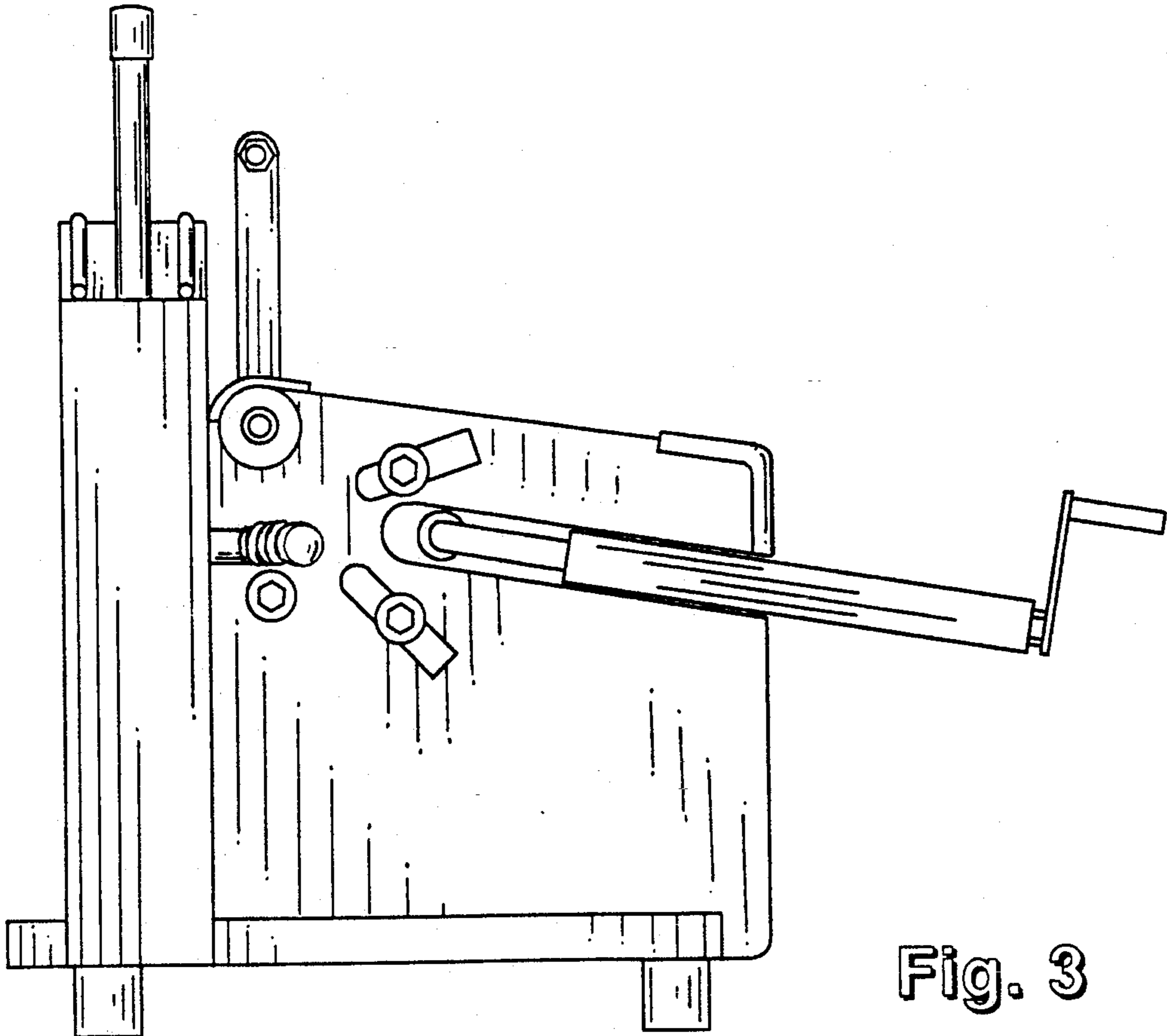


Fig. 3

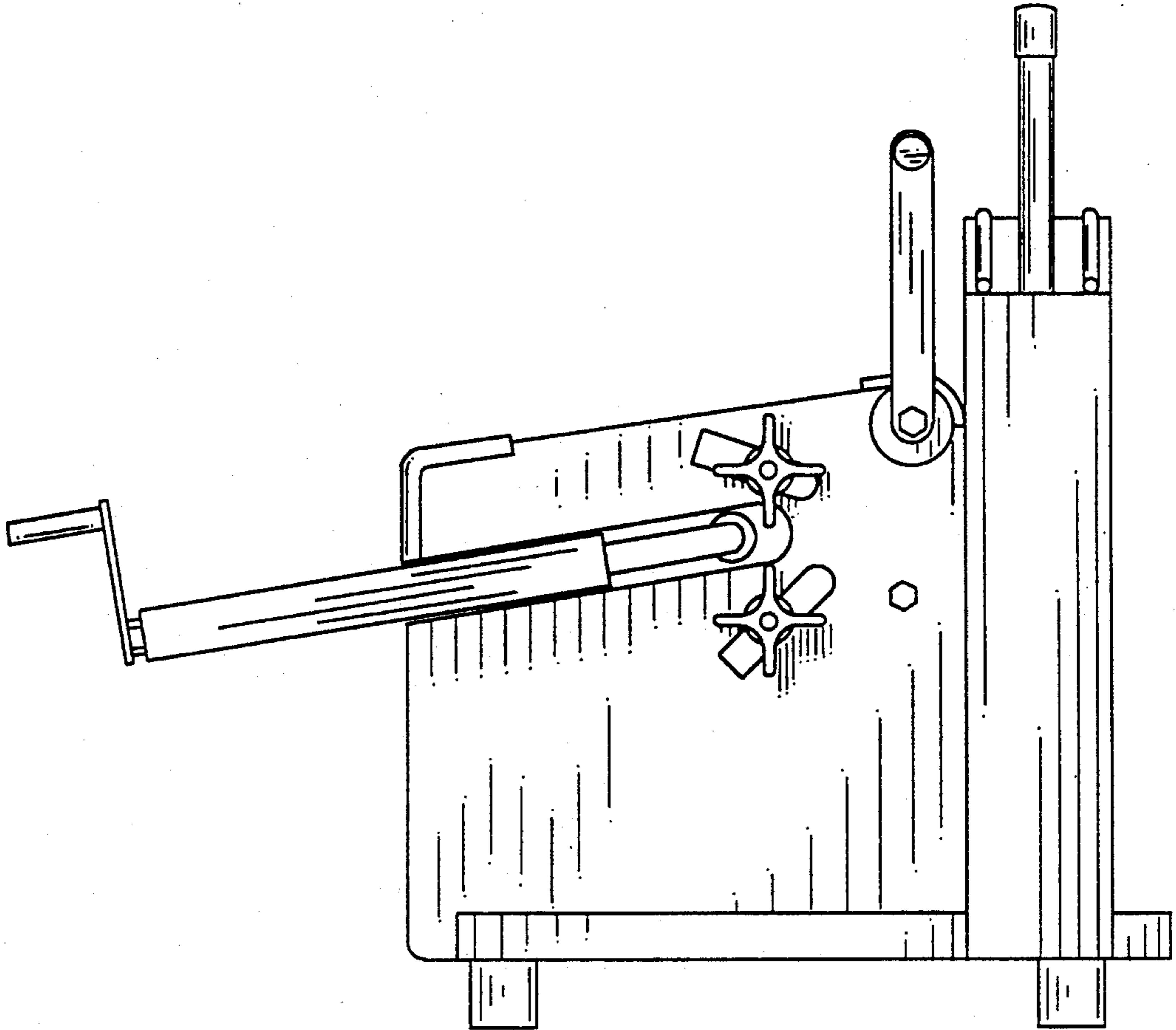


Fig. 4

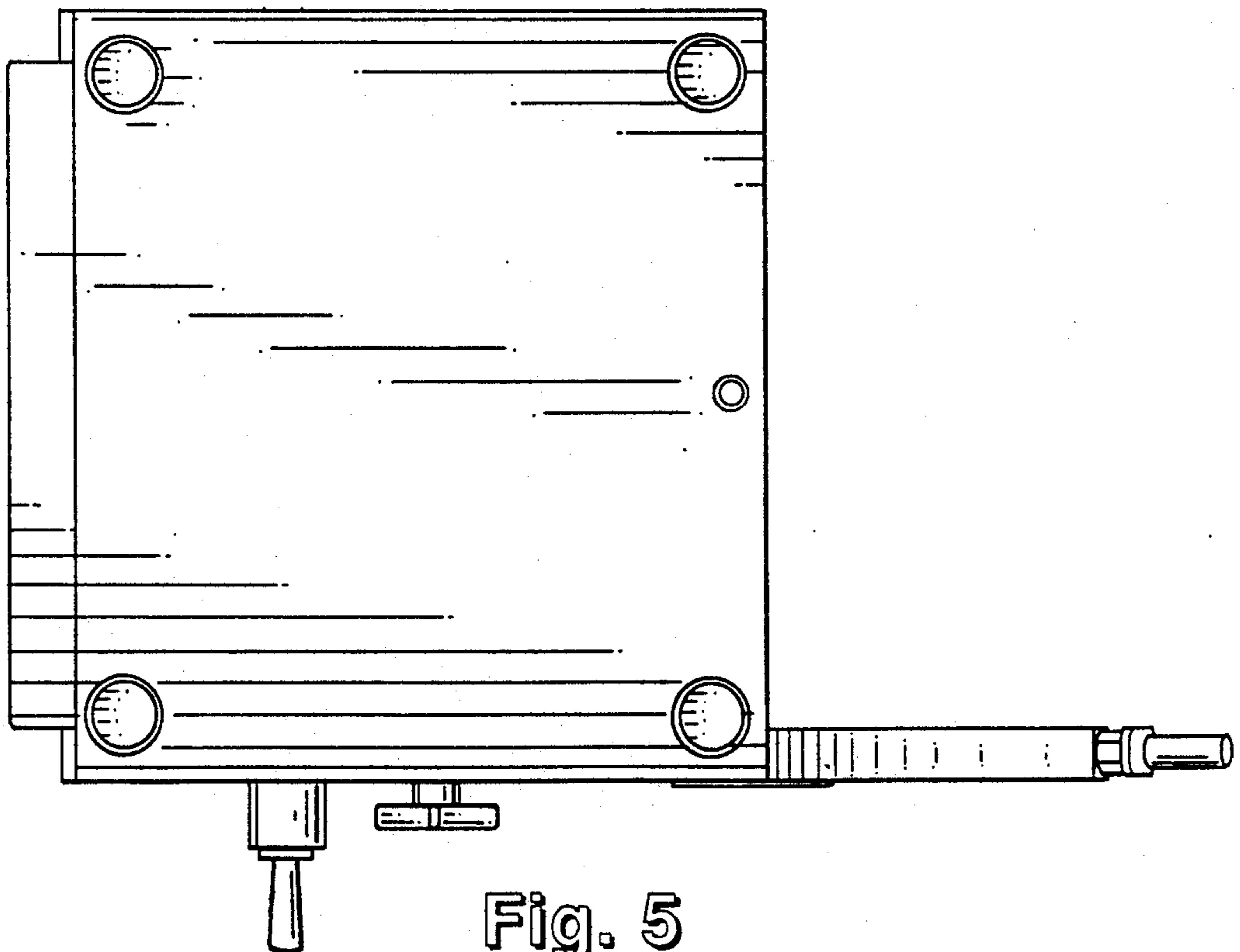


Fig. 5

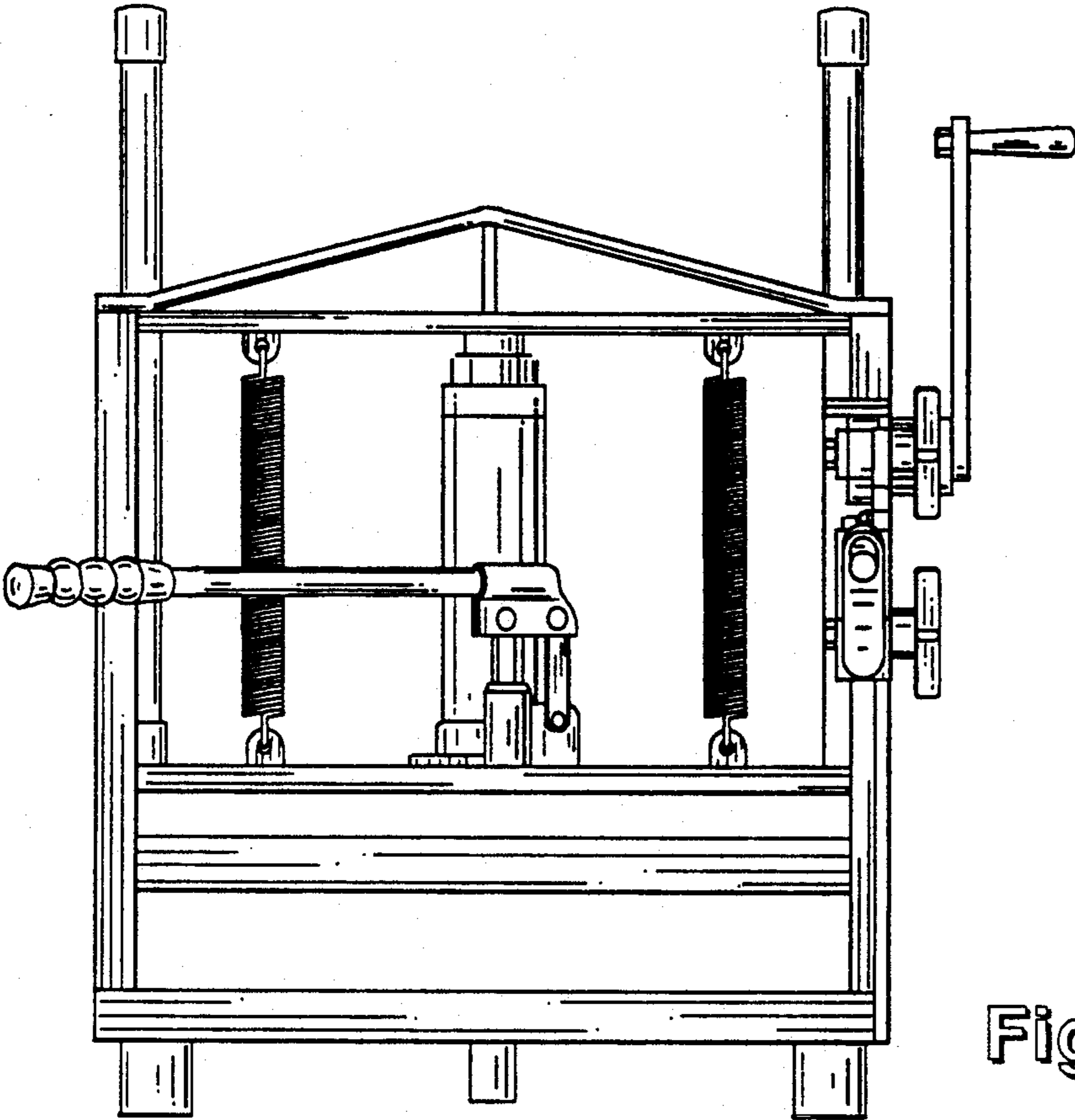


Fig. 6

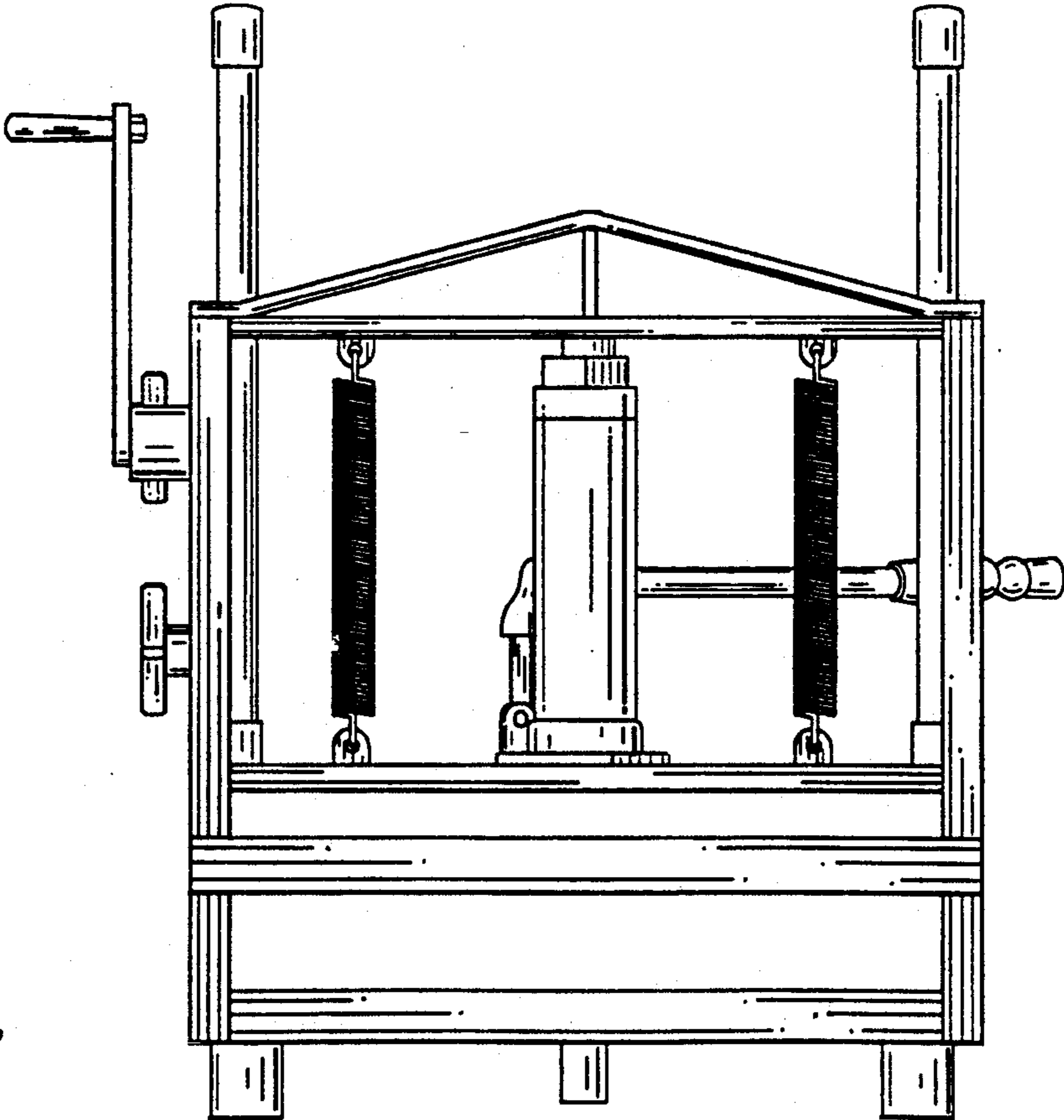


Fig. 7