



US00D33772S

United States Patent [19]

[11] Patent Number: **Des. 337,772**

Kuroki

[45] Date of Patent: **** Jul. 27, 1993**

[54] **SEWING MACHINE**

D. 301,888 6/1989 Kuroki et al. D15/69
D. 314,390 2/1991 Kuroki D15/68
D. 321,695 11/1991 Kuroki D15/70

[75] Inventor: **Nobufusa Kuroki, Tokyo, Japan**

[73] Assignee: **Janome Sewing Machine Co. Ltd., Tokyo, Japan**

[**] Term: **14 Years**

[21] Appl. No.: **791,986**

[22] Filed: **Nov. 14, 1991**

[30] **Foreign Application Priority Data**

Jul. 17, 1991 [JP] Japan 21326

[52] U.S. Cl. **D15/70**

[58] Field of Search **D15/66-78;**
112/259-261, 262.1

[56] **References Cited**

U.S. PATENT DOCUMENTS

D. 235,925 7/1975 Kudo D15/68
D. 247,901 5/1978 Fresard D15/70
D. 274,435 6/1984 Hanyu et al. D15/68
D. 289,298 4/1987 Eguchi et al. D15/70

OTHER PUBLICATIONS

W. Bell Co 1986 Cat. p. 404 Singer Basic Sewing Machine, Item #5.

Primary Examiner—Bernard Ansher
Assistant Examiner—Sandra Morris
Attorney, Agent, or Firm—Michael J. Striker

[57] **CLAIM**

The ornamental design for a sewing machine, as shown and described.

DESCRIPTION

FIG. 1 is a front elevational view thereof;
FIG. 2 is a rear elevational view thereof;
FIG. 3 is a left elevational side view thereof;
FIG. 4 is a right elevational side view thereof;
FIG. 5 is a top plan view thereof;
FIG. 6 is a bottom plan view thereof; and,
FIG. 7 is a perspective view.

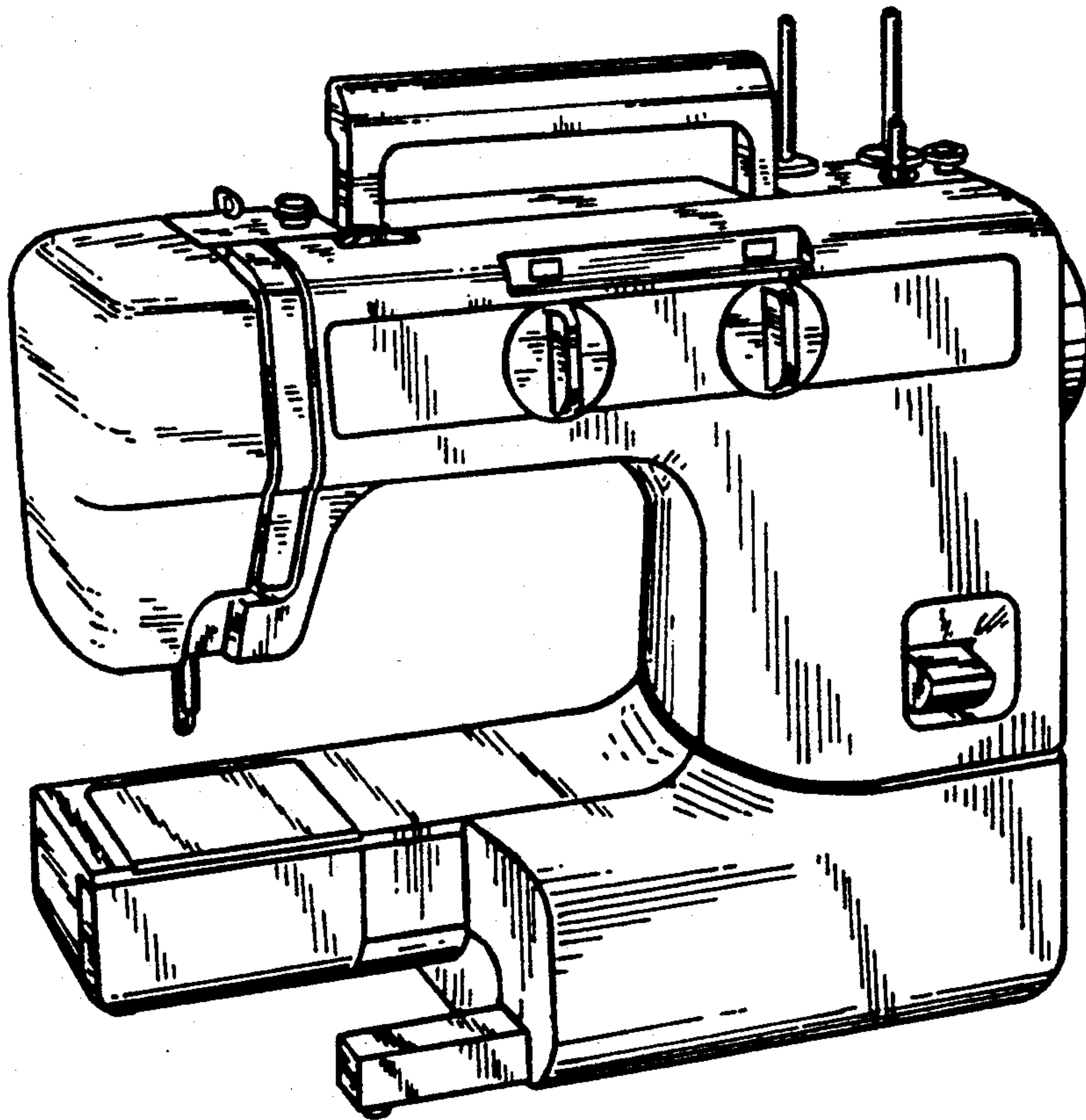
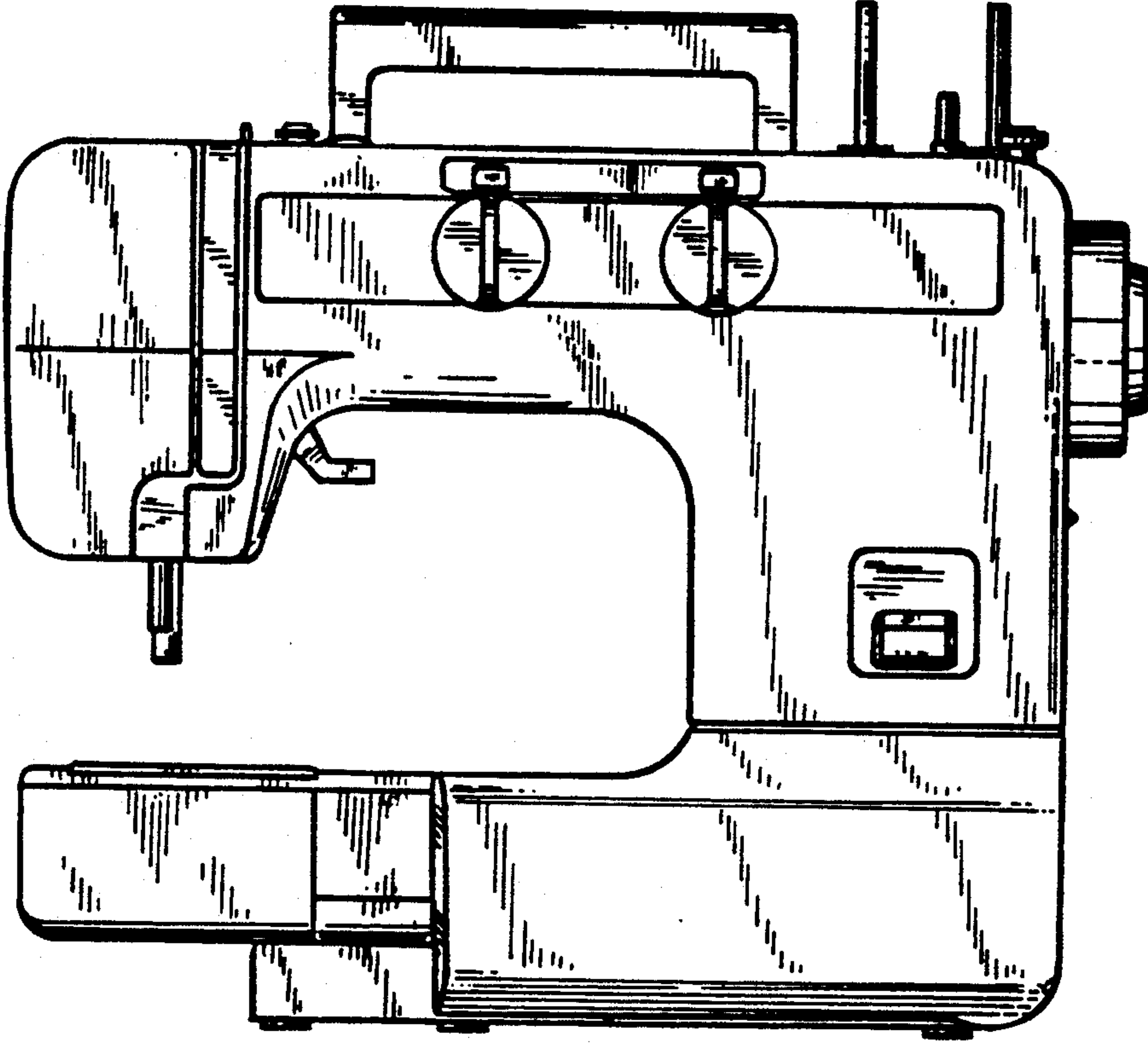


FIG. 1



FIG_2

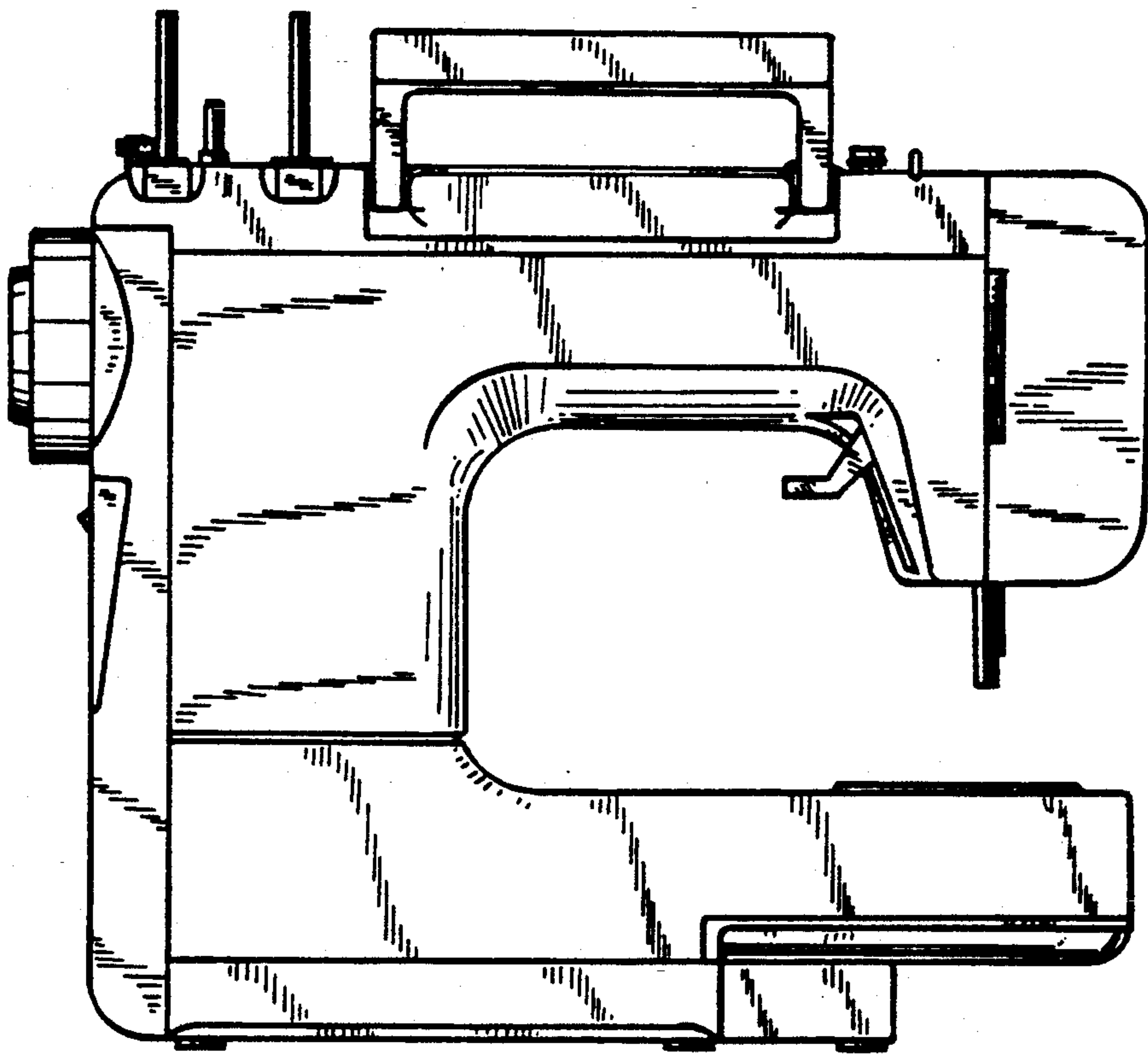


FIG. 3

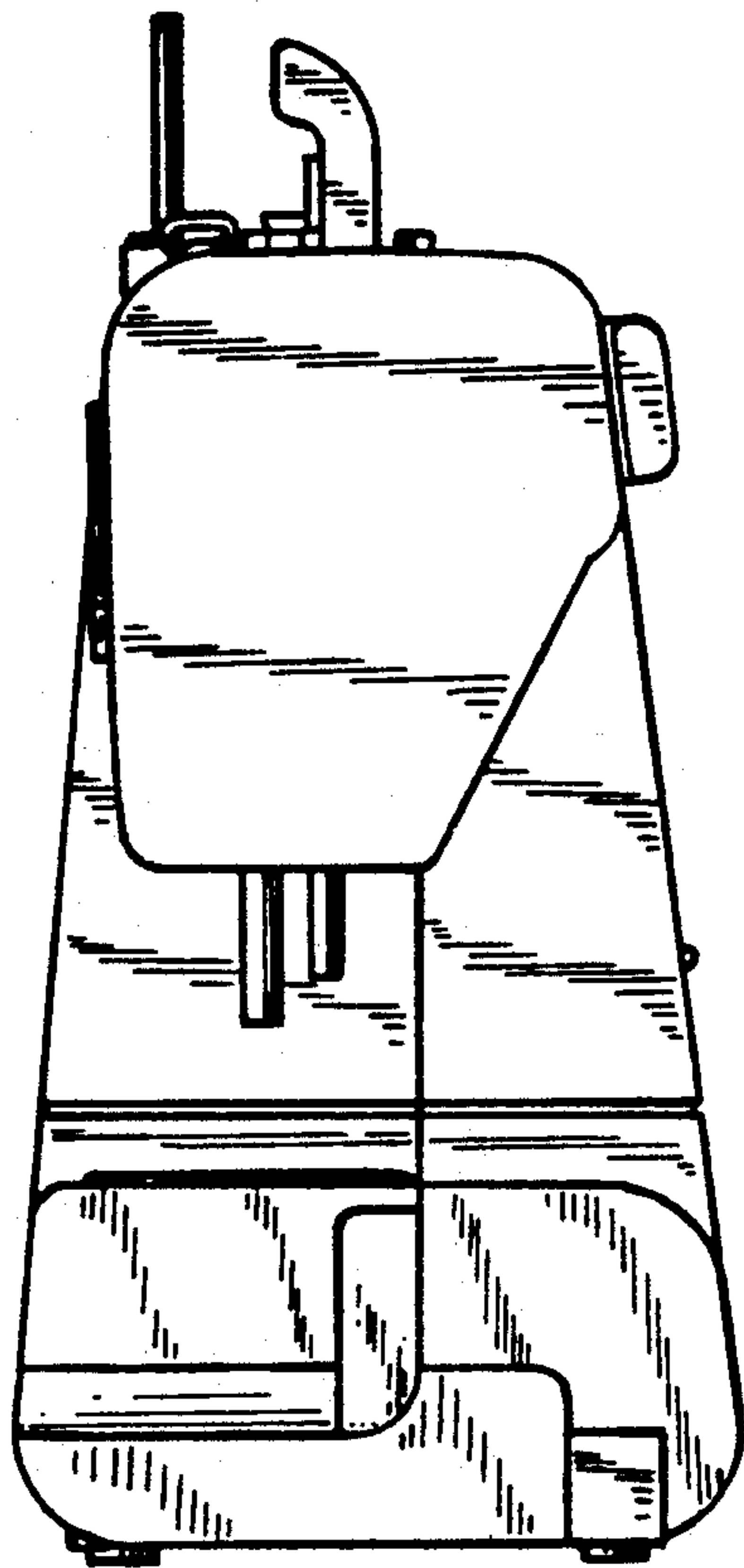
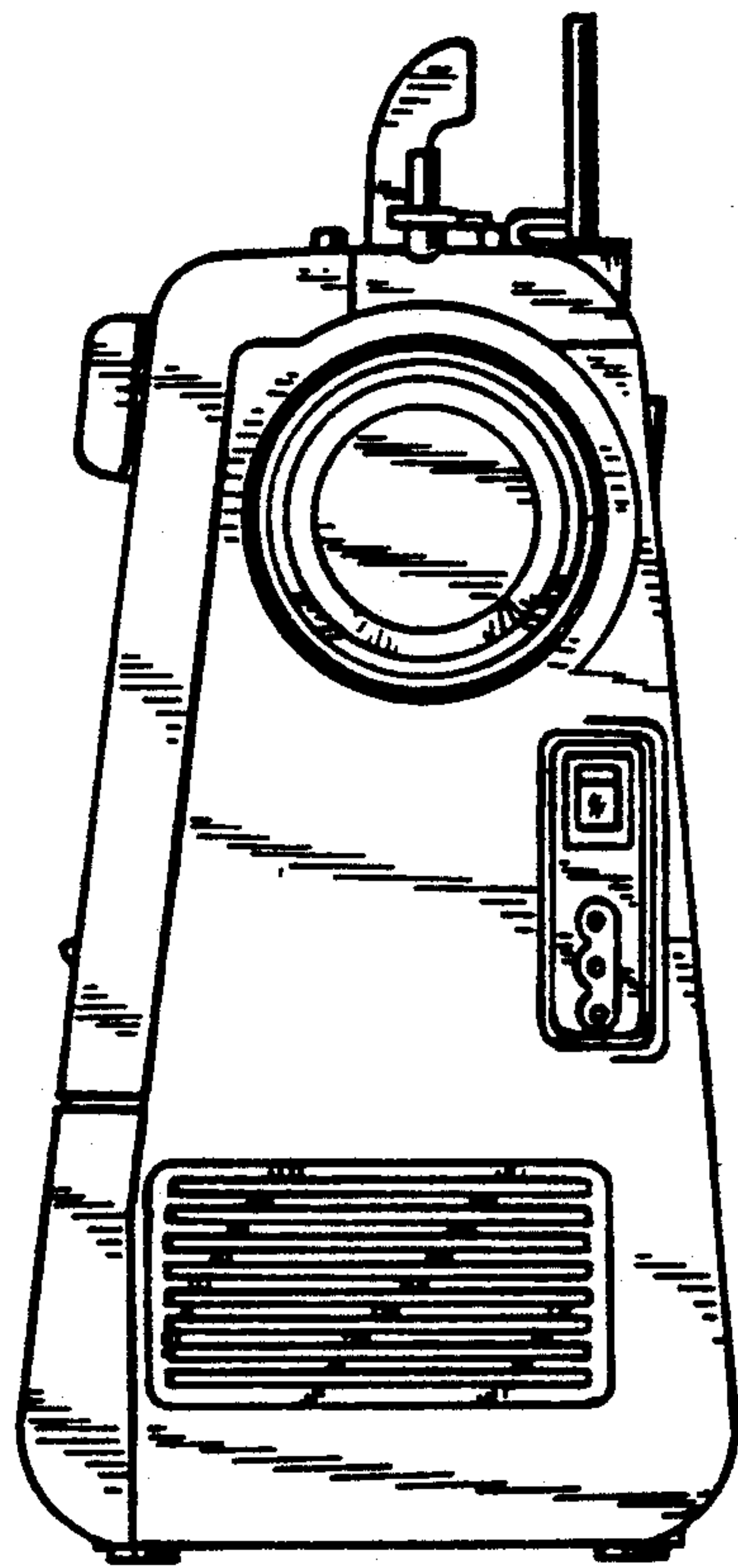
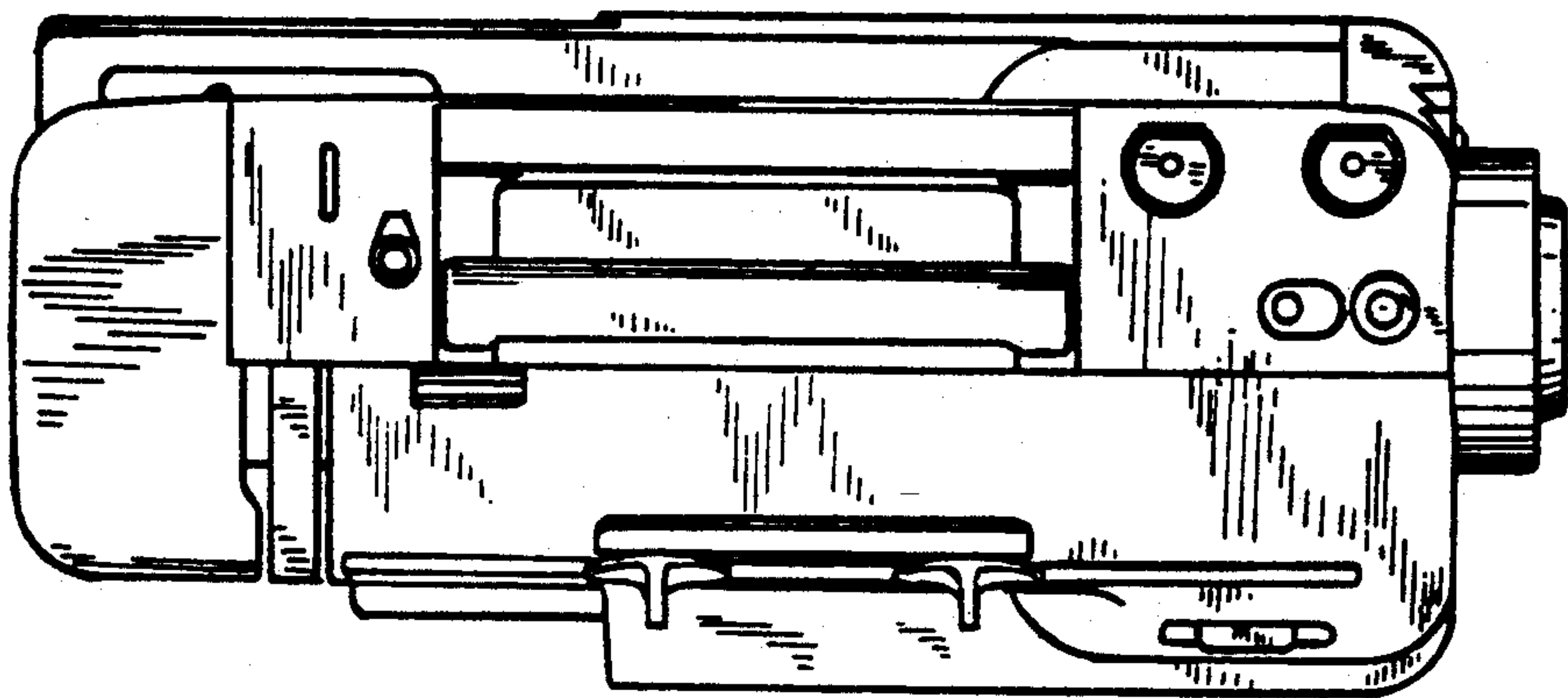


FIG. 4



FIG_5



FIG_6

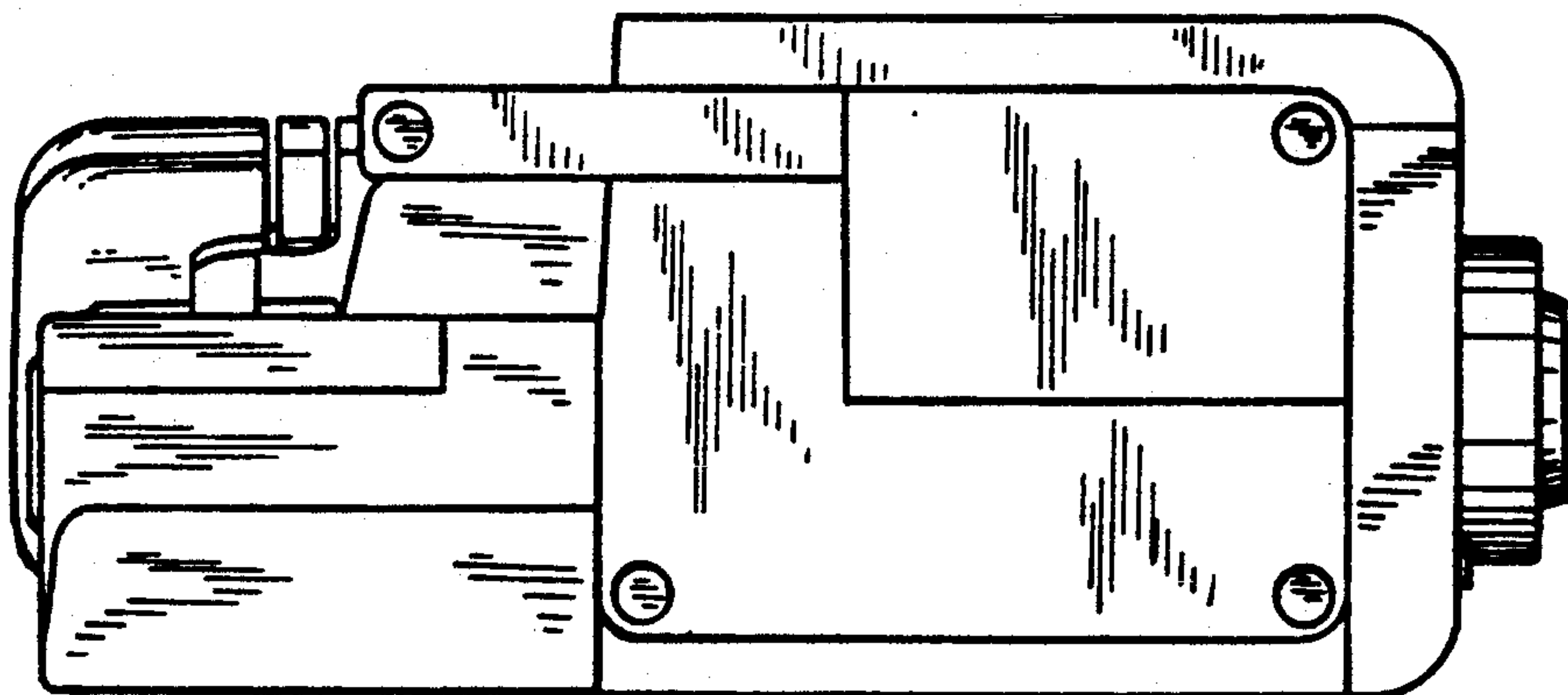


FIG. 7

