



US00D33771S

# United States Patent [19]

[11] Patent Number: **Des. 337,771**

Leung

[45] Date of Patent: **\*\* Jul. 27, 1993**

- [54] **ELECTRONIC TOY AUDIO AMPLIFIER AND SOUND EFFECTS HOUSING**
- [75] Inventor: **Donny C. K. Leung, Tai Koo Shing, Hong Kong**
- [73] Assignee: **Video Technology Industries, Inc., Wheeling, Ill.**
- [\*\*] Term: **14 Years**
- [21] Appl. No.: **606,335**
- [22] Filed: **Oct. 30, 1990**
- [52] U.S. Cl. .... **D21/113; D14/168; D14/173**
- [58] Field of Search ..... **D14/100, 129, 154, 160, D14/165, 168, 173, 188, 196, 226, 246, 299; D21/111-113; 434/201**

- D. 329,044 9/1992 Kurth et al. .... D14/100
- 3,074,725 1/1963 Rockola ..... D14/173 X

*Primary Examiner*—Theodore M. Shooman  
*Assistant Examiner*—Mitchell I. Siegel  
*Attorney, Agent, or Firm*—Dick and Harris

### [57] CLAIM

The ornamental design for an electronic toy audio amplifier and sound effects housing, as shown and described.

### DESCRIPTION

FIG. 1 is a front perspective view of the electronic toy audio amplifier and sound effects housing, showing our my design;  
 FIG. 2 is a rear perspective view thereof;  
 FIG. 3 is a front elevational view thereof;  
 FIG. 4 is a rear elevational view thereof;  
 FIG. 5 is a right side elevational view thereof;  
 FIG. 6 is a left side elevational view thereof;  
 FIG. 7 is a top plan view thereof; and,  
 FIG. 8 is a bottom plan view thereof.

- [56] **References Cited**
- U.S. PATENT DOCUMENTS**
- D. 280,748 9/1985 Jansons et al. .... D21/113
- D. 327,687 7/1992 Arbiter ..... D14/173

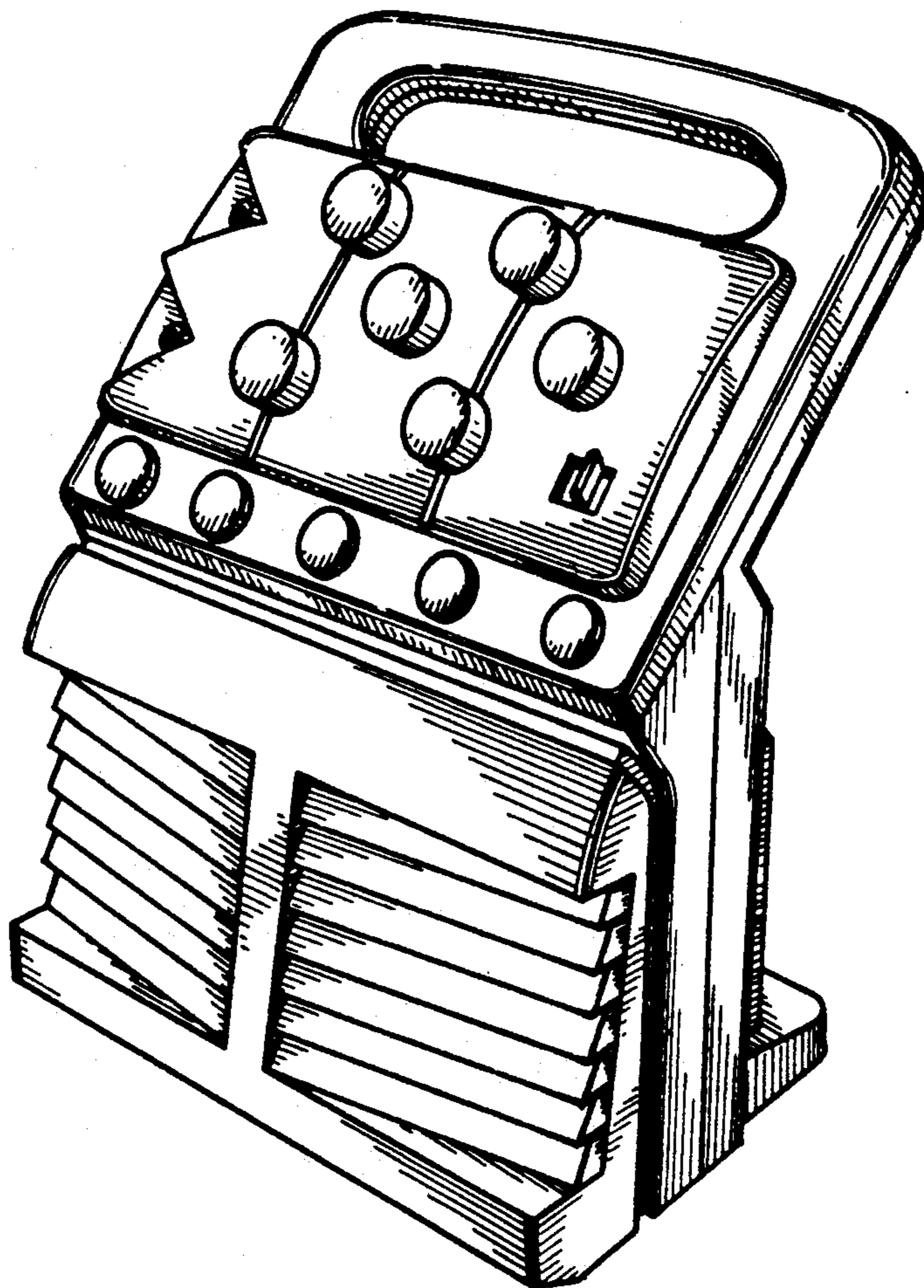


Fig 1

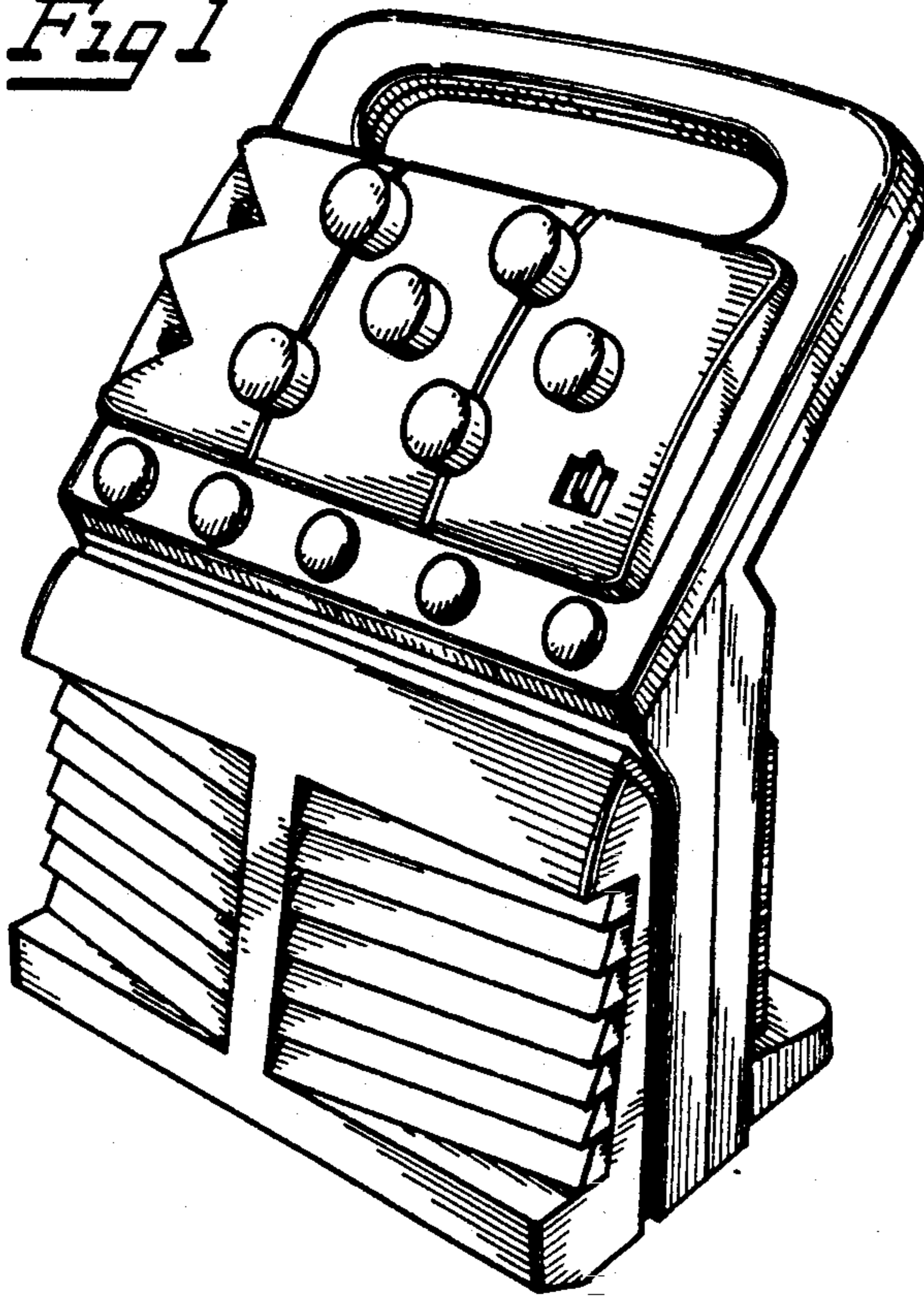


Fig 2

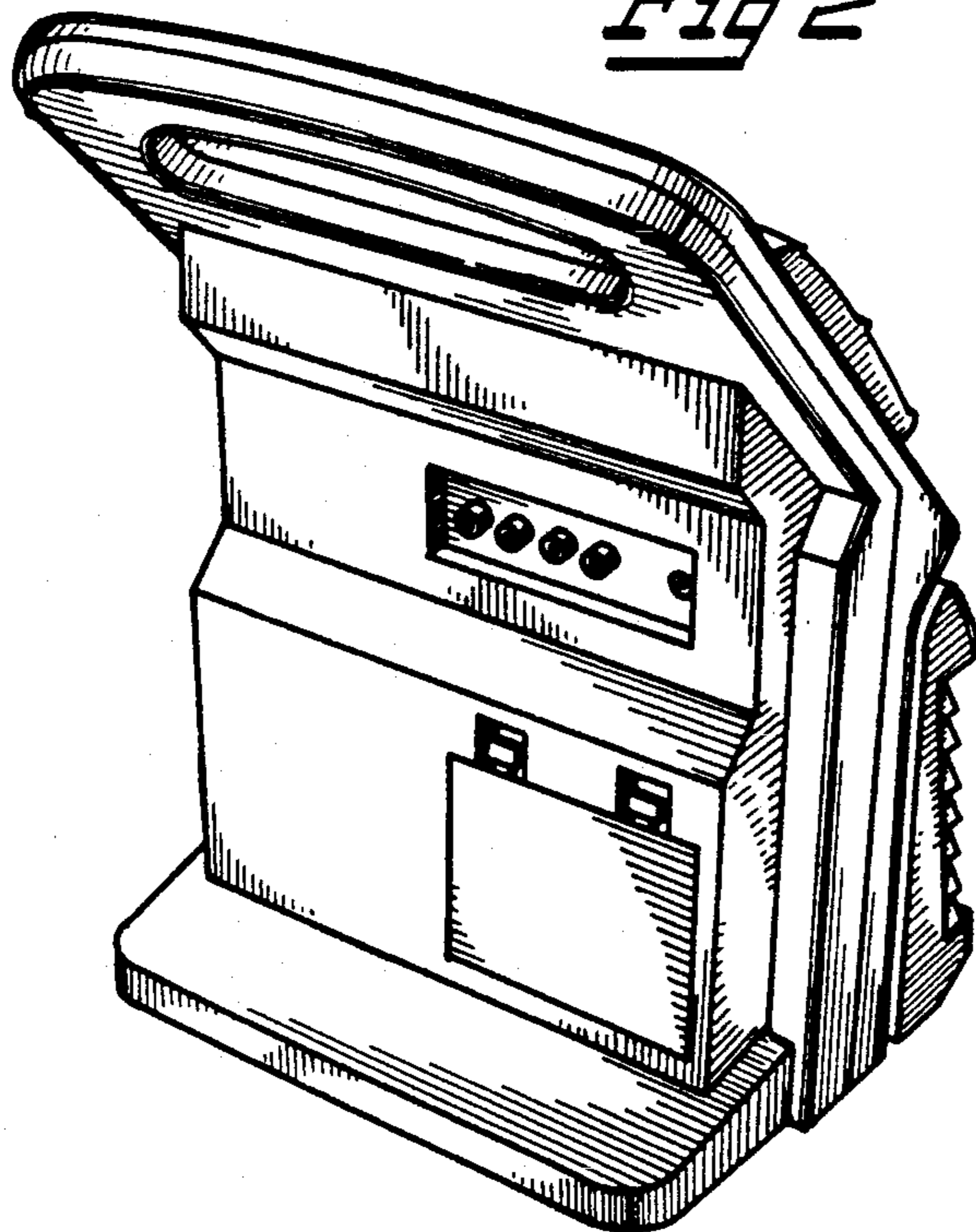


FIG 4

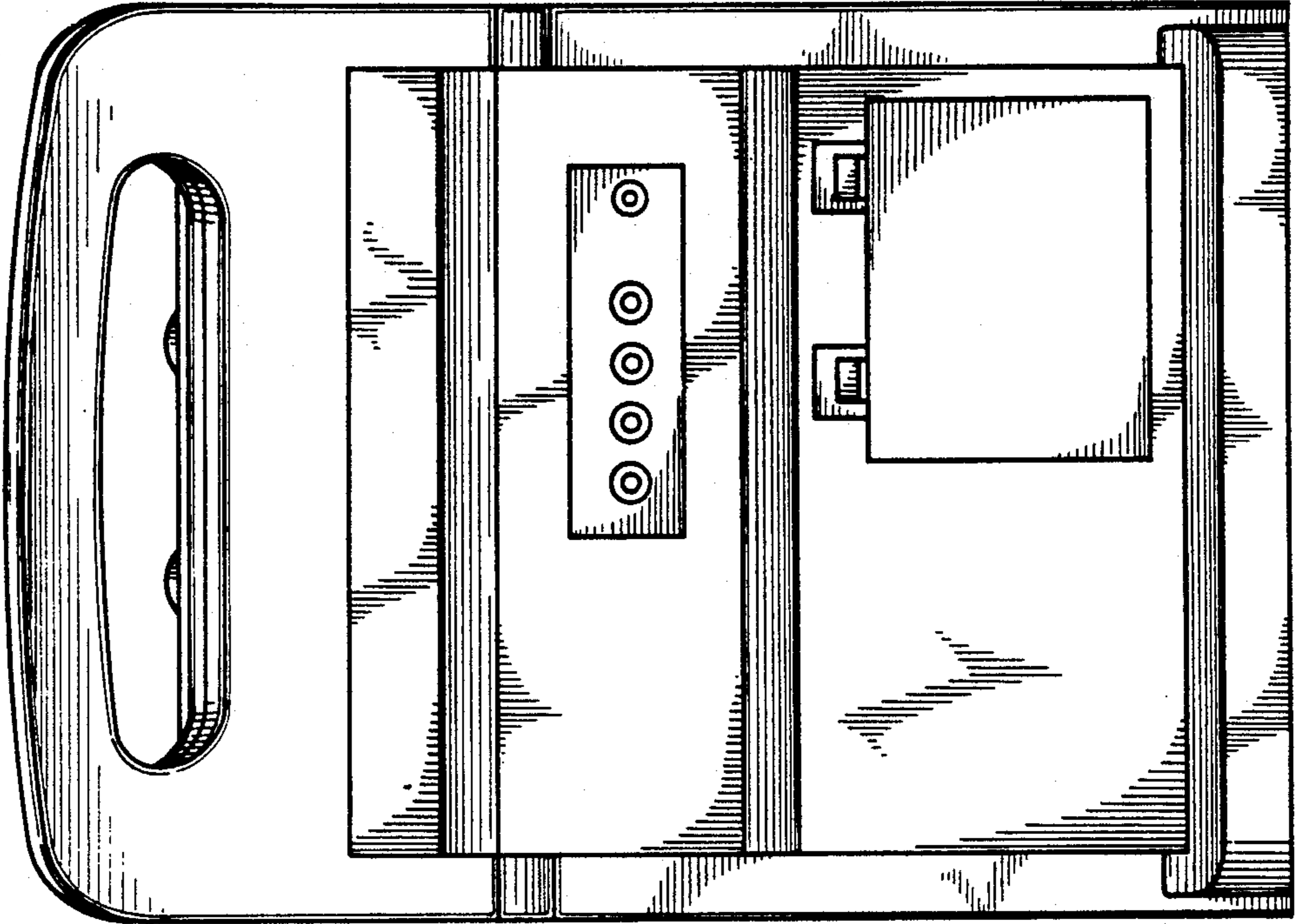
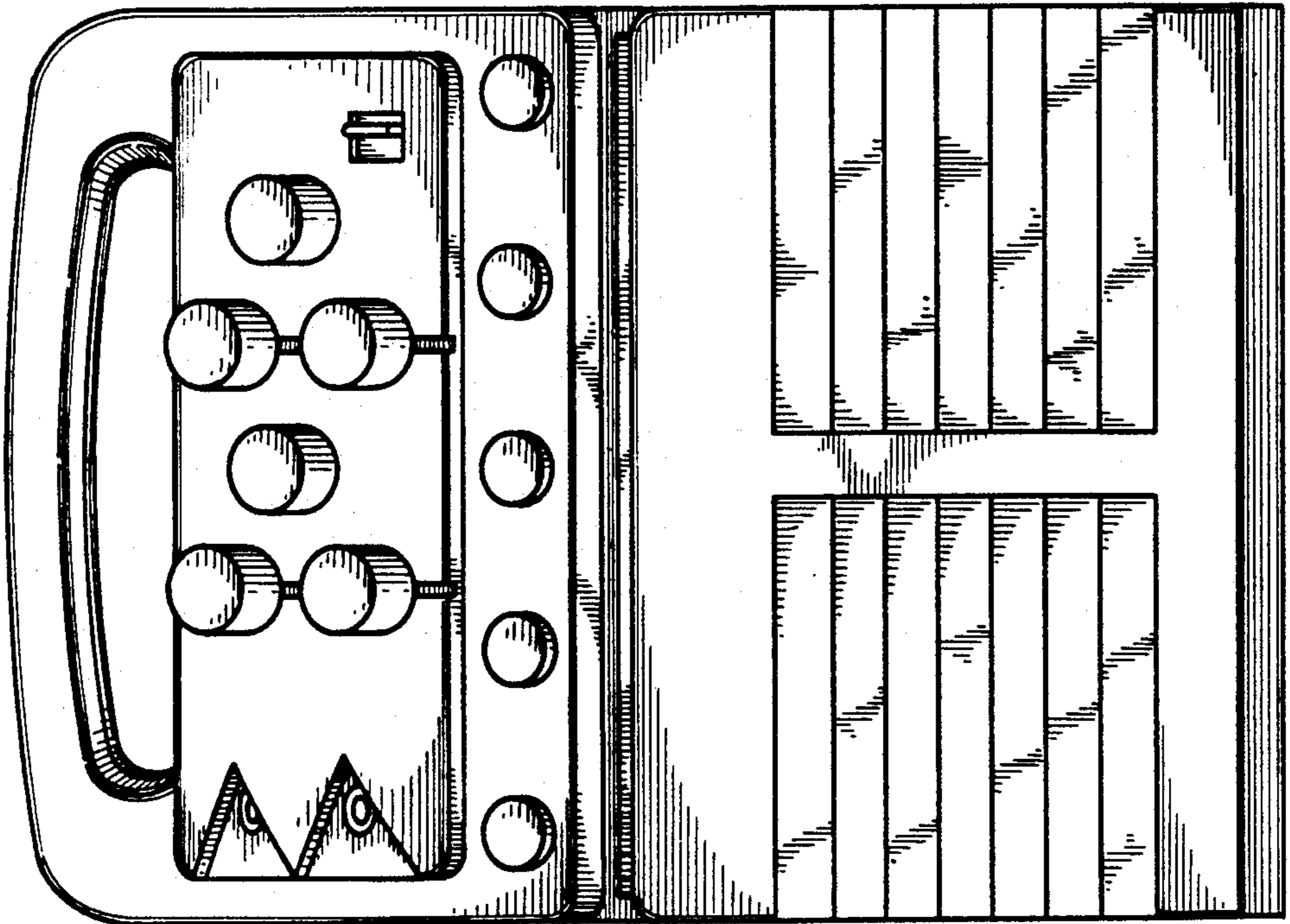


FIG 3



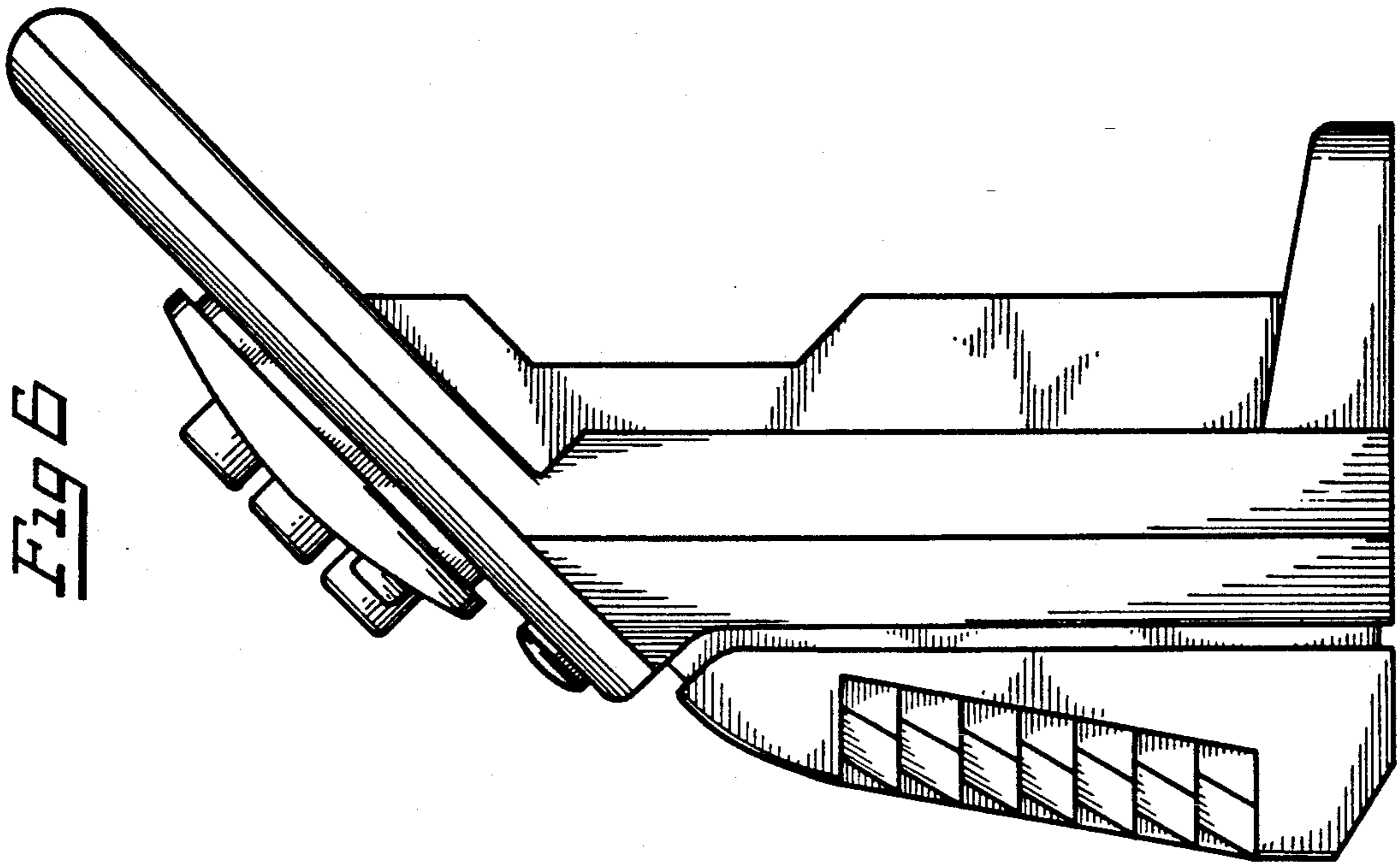


FIG 6

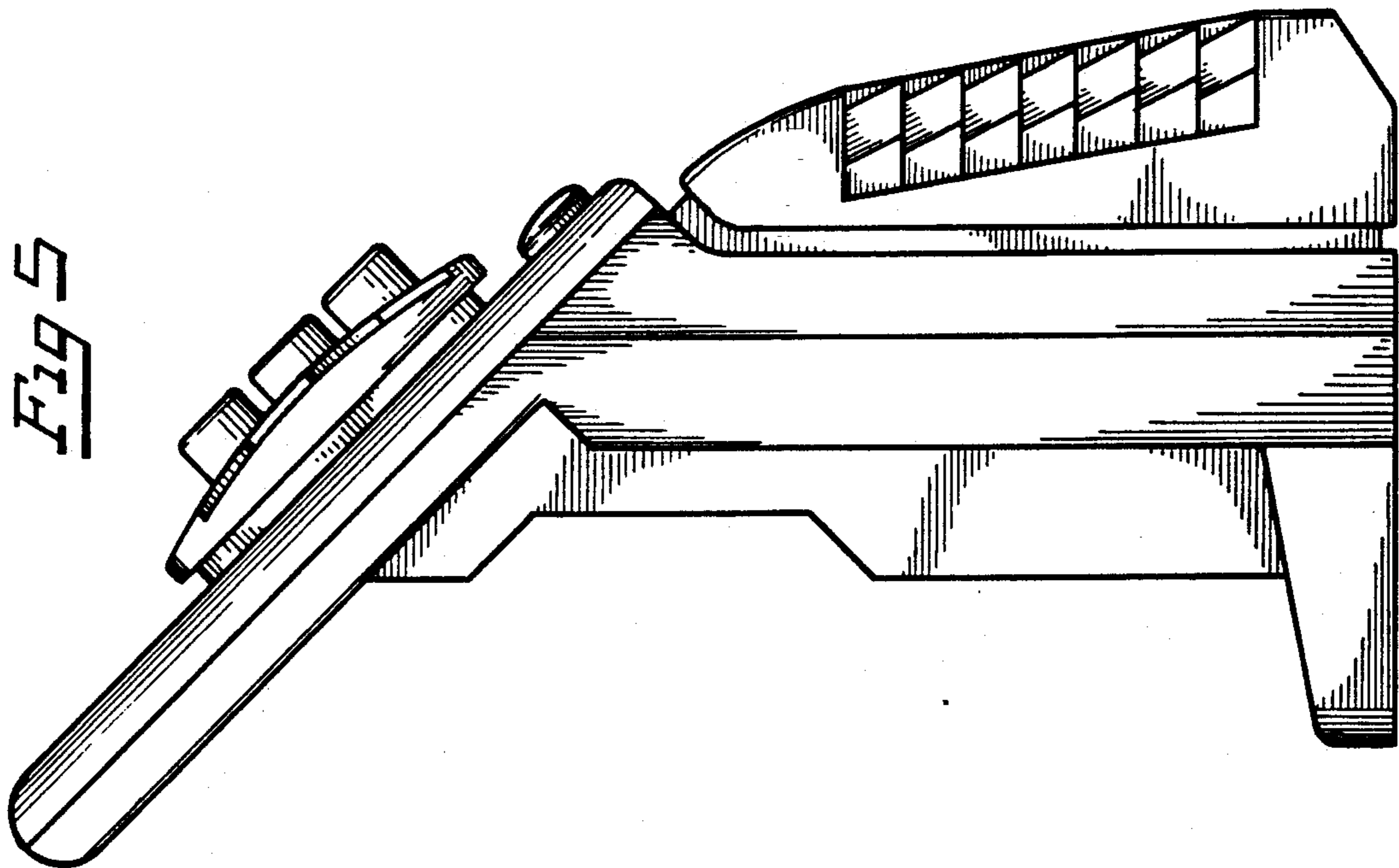


FIG 5

Fig 8

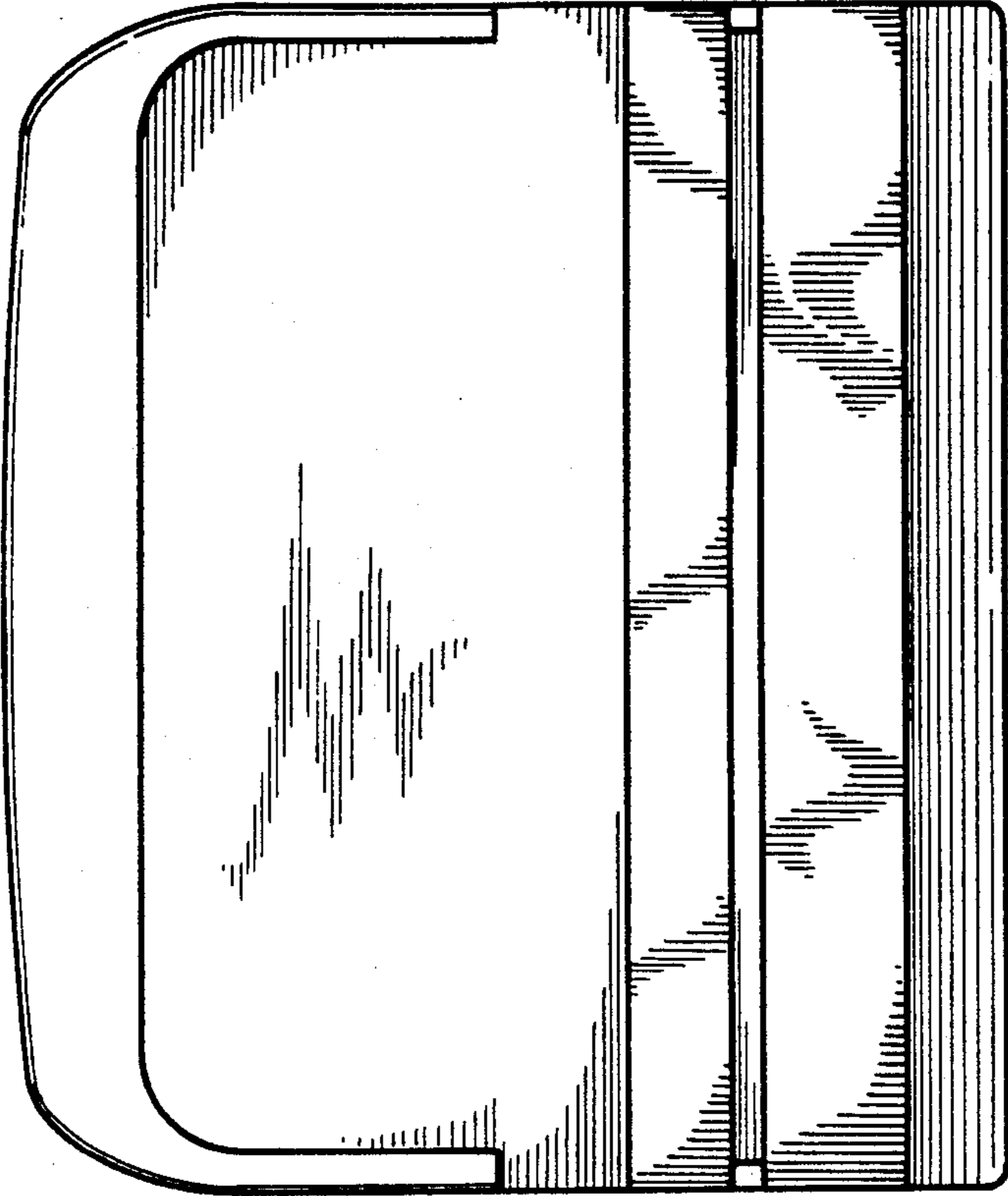


Fig 7

