



US00D337770S

# United States Patent [19]

[11] Patent Number: **Des. 337,770**

**Johnson**

[45] Date of Patent: **\*\* Jul. 27, 1993**

[54] **CABINET FOR ELECTRONIC APPARATUS**

[75] Inventor: **Chris G. Johnson, Briarcliff Manor, N.Y.**

[73] Assignee: **AT&T Bell Laboratories, Murray Hill, N.J.**

[\*\*] Term: **14 Years**

[21] Appl. No.: **825,897**

[22] Filed: **Jan. 27, 1992**

[52] U.S. Cl. .... **D14/240; D6/432; D13/184; D14/102**

[58] Field of Search ..... **D6/432, 433, 449, 446, D6/448; D14/102, 101, 100, 107-109, 240, 241; D13/184; 360/97-99; 361/390-395, 415, 426; 312/299, 253; 379/440, 420**

[56] **References Cited**

**U.S. PATENT DOCUMENTS**

D. 103,072 2/1937 Morgan ..... D6/432  
D. 206,802 1/1967 Wiener ..... D13/184

D. 250,311 11/1978 Chervenak ..... D6/446  
D. 303,664 9/1989 Harden et al. .... D14/102 X  
D. 311,389 10/1990 Festa et al. .... D13/184 X  
D. 325,584 4/1992 Ando ..... D14/240

*Primary Examiner*—Alan P. Douglas  
*Assistant Examiner*—Jeffrey Asch  
*Attorney, Agent, or Firm*—Barry H. Freedman

[57] **CLAIM**

The ornamental design for a cabinet for electronic apparatus, as shown and described.

**DESCRIPTION**

FIG. 1 is a perspective view of the cabinet for electronic apparatus in accordance with the present invention;

FIG. 2 is a front view of the apparatus of FIG. 1;

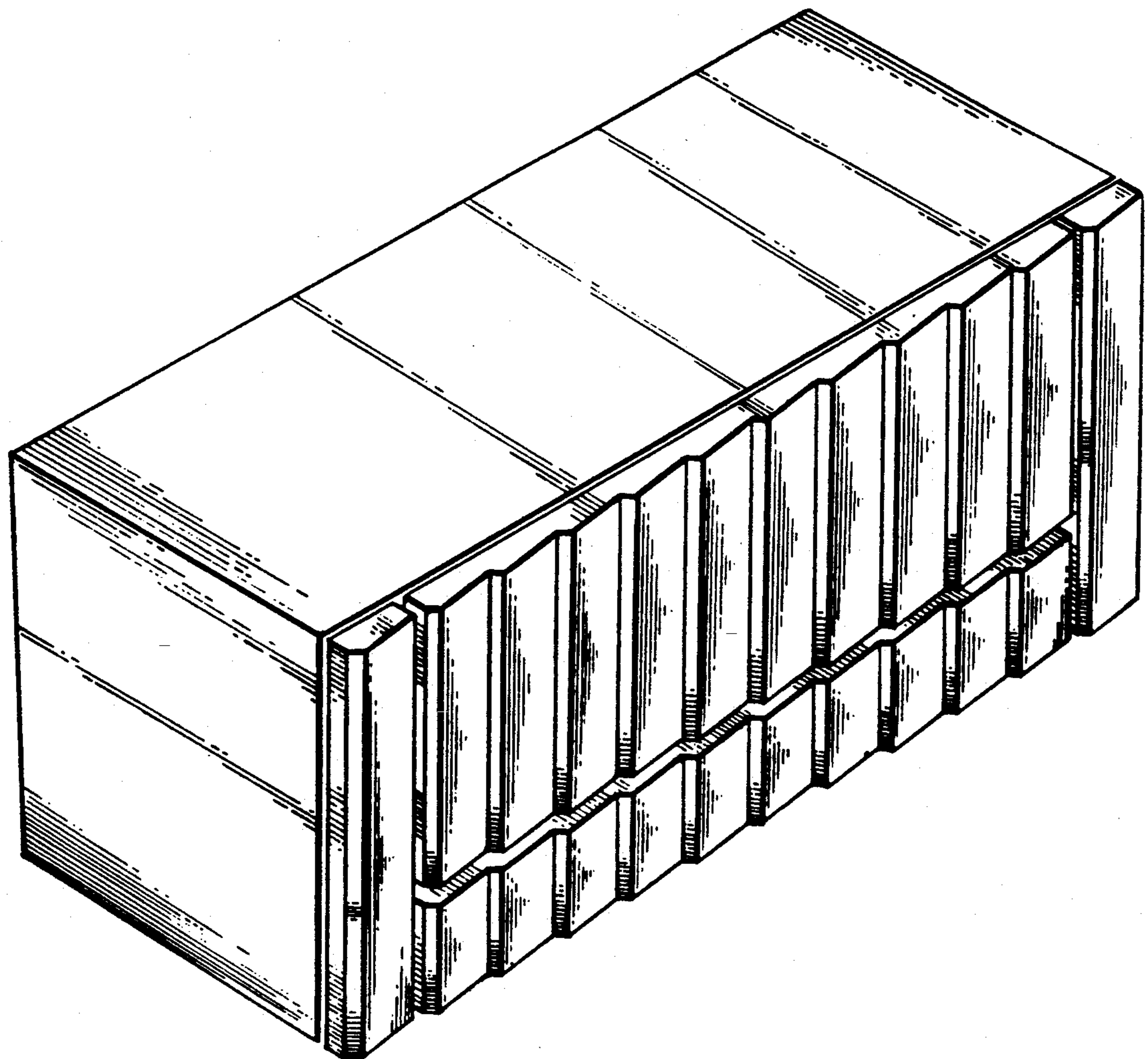
FIG. 3 is a rear view of the apparatus of FIG. 1;

FIG. 4 is a top view of the apparatus of FIG. 1;

FIG. 5 is a bottom view of the apparatus of FIG. 1;

FIG. 6 is a left side view of the apparatus of FIG. 1; and,

FIG. 7 is a right side view of the apparatus of FIG. 1.



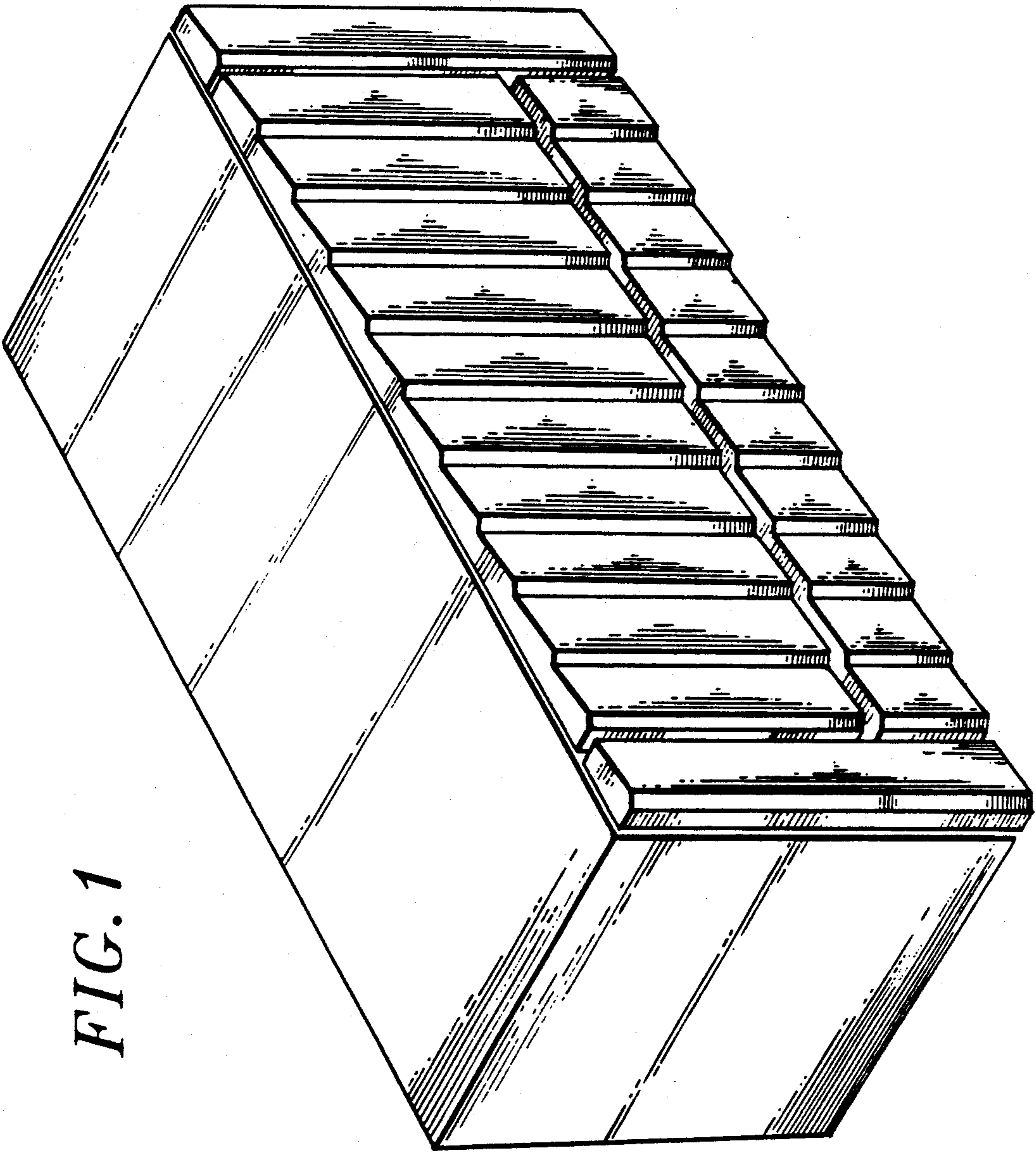


FIG. 1

FIG. 2

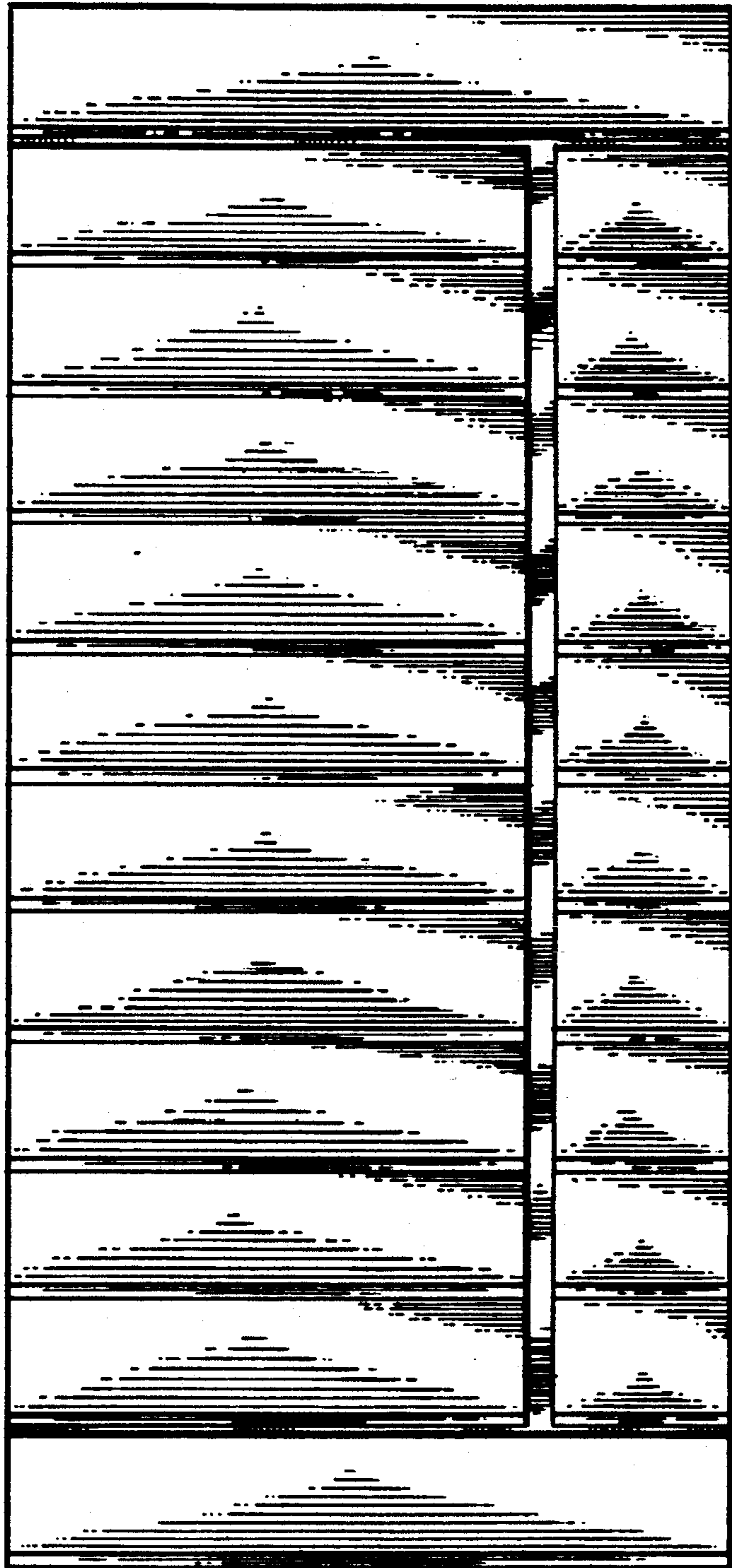
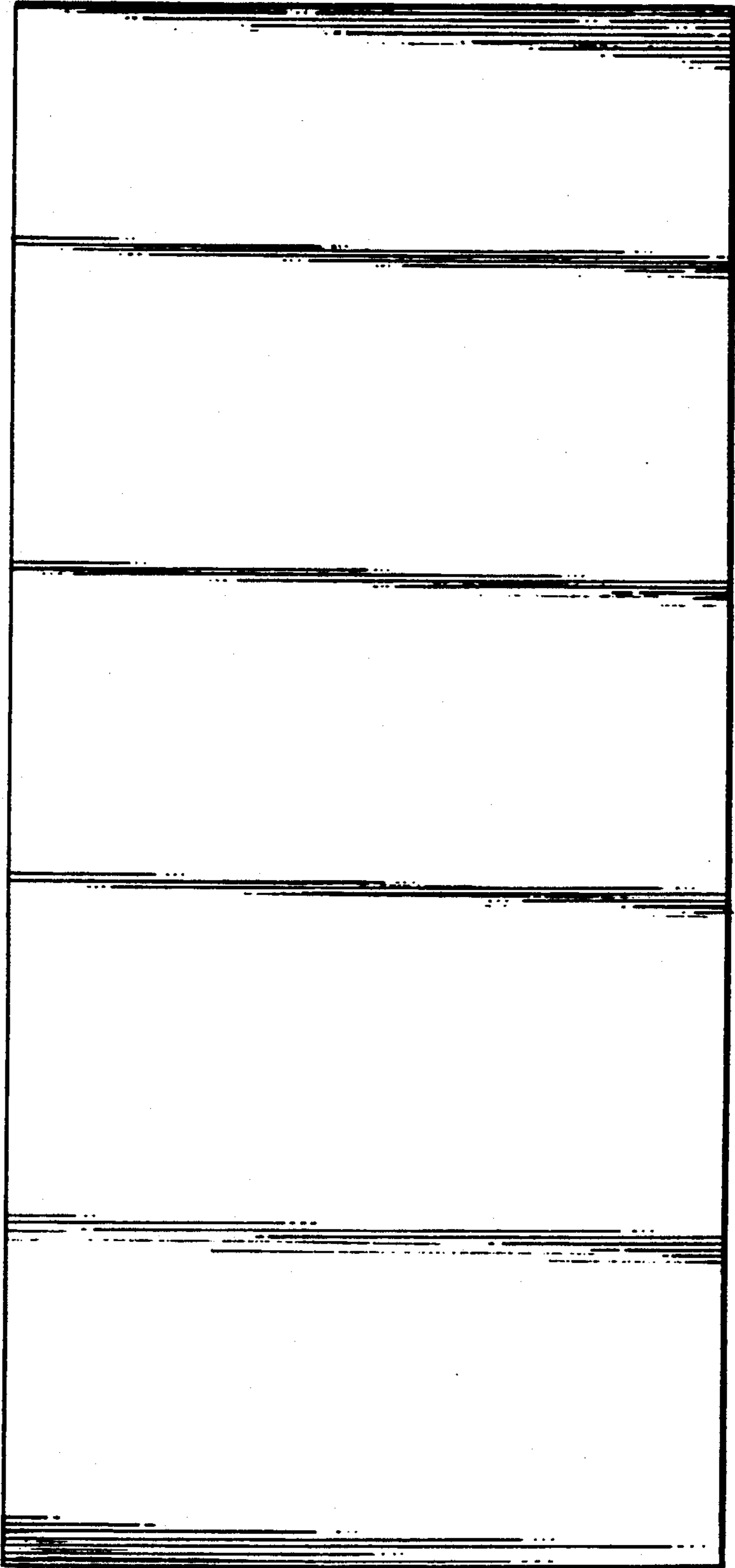


FIG. 3



*FIG. 4*

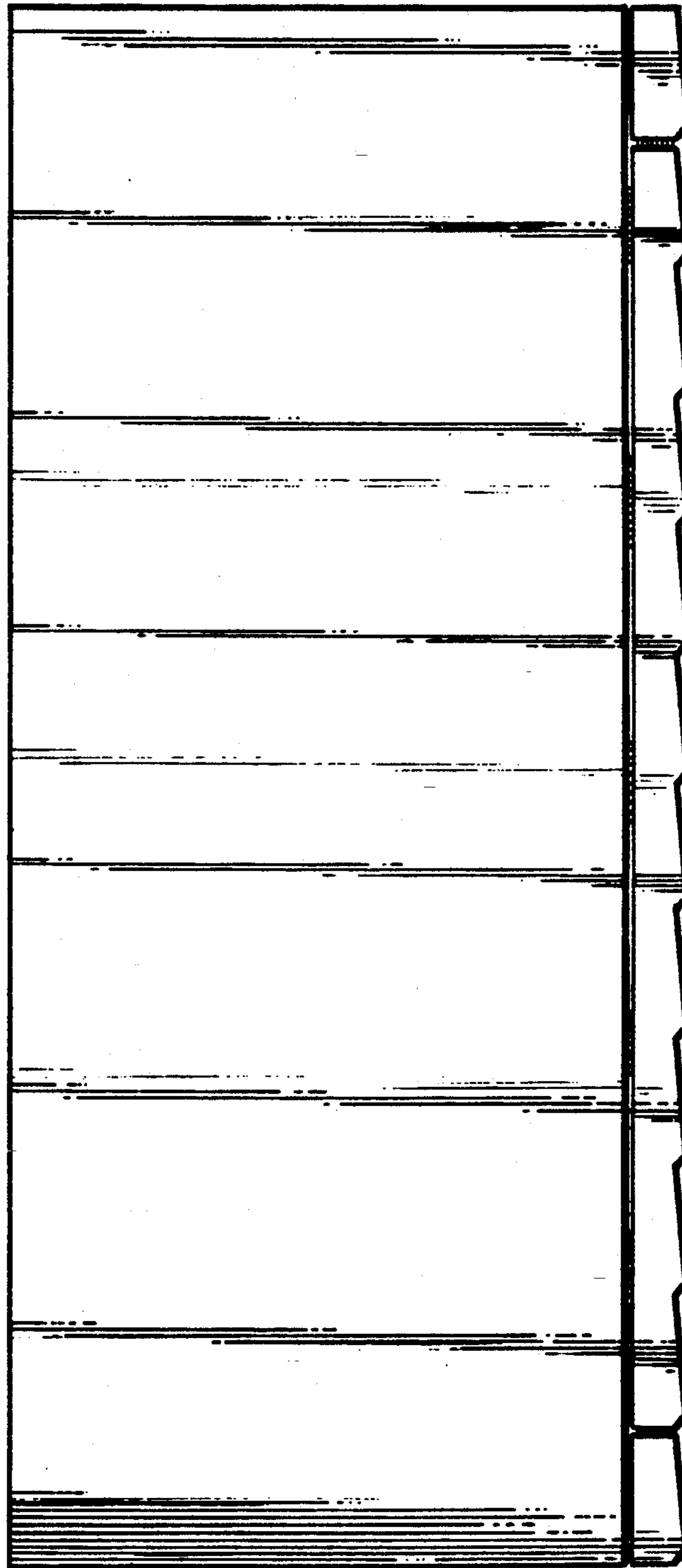
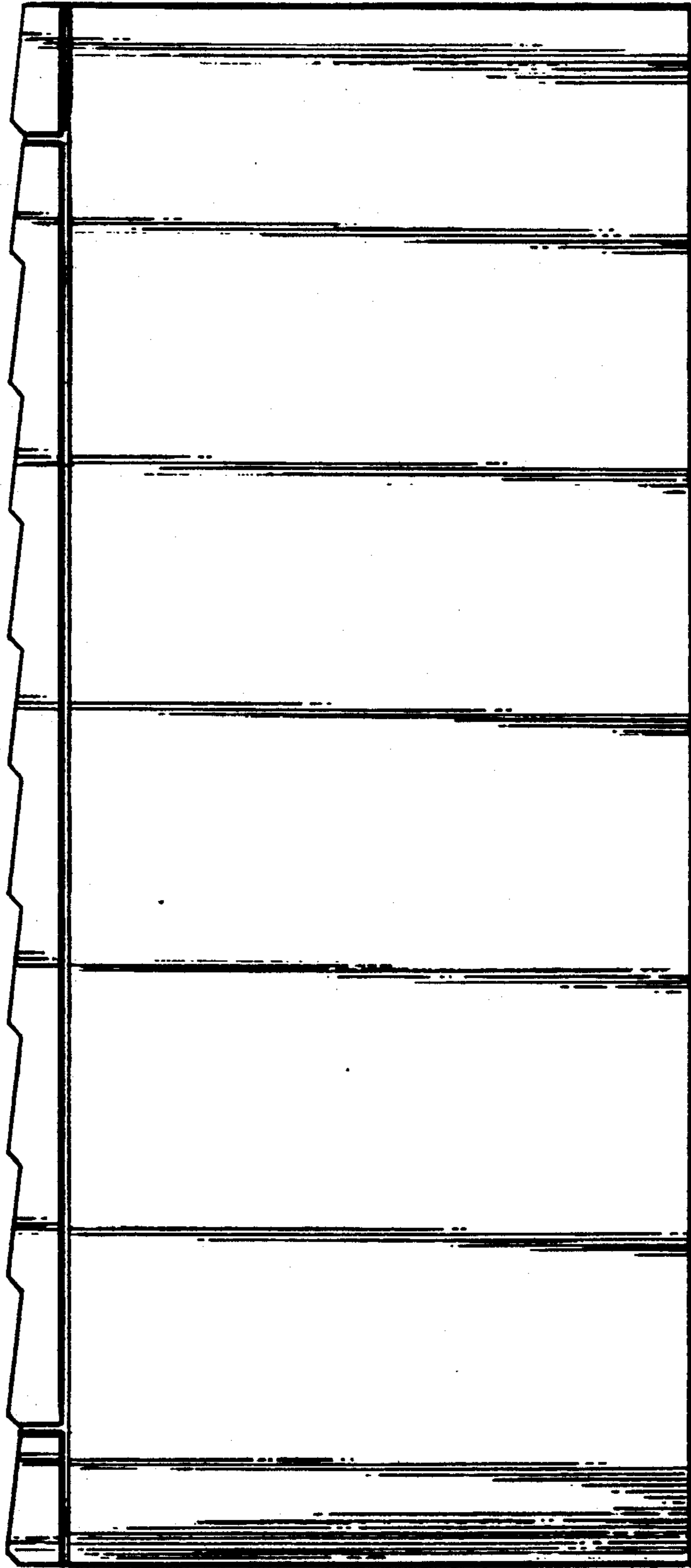
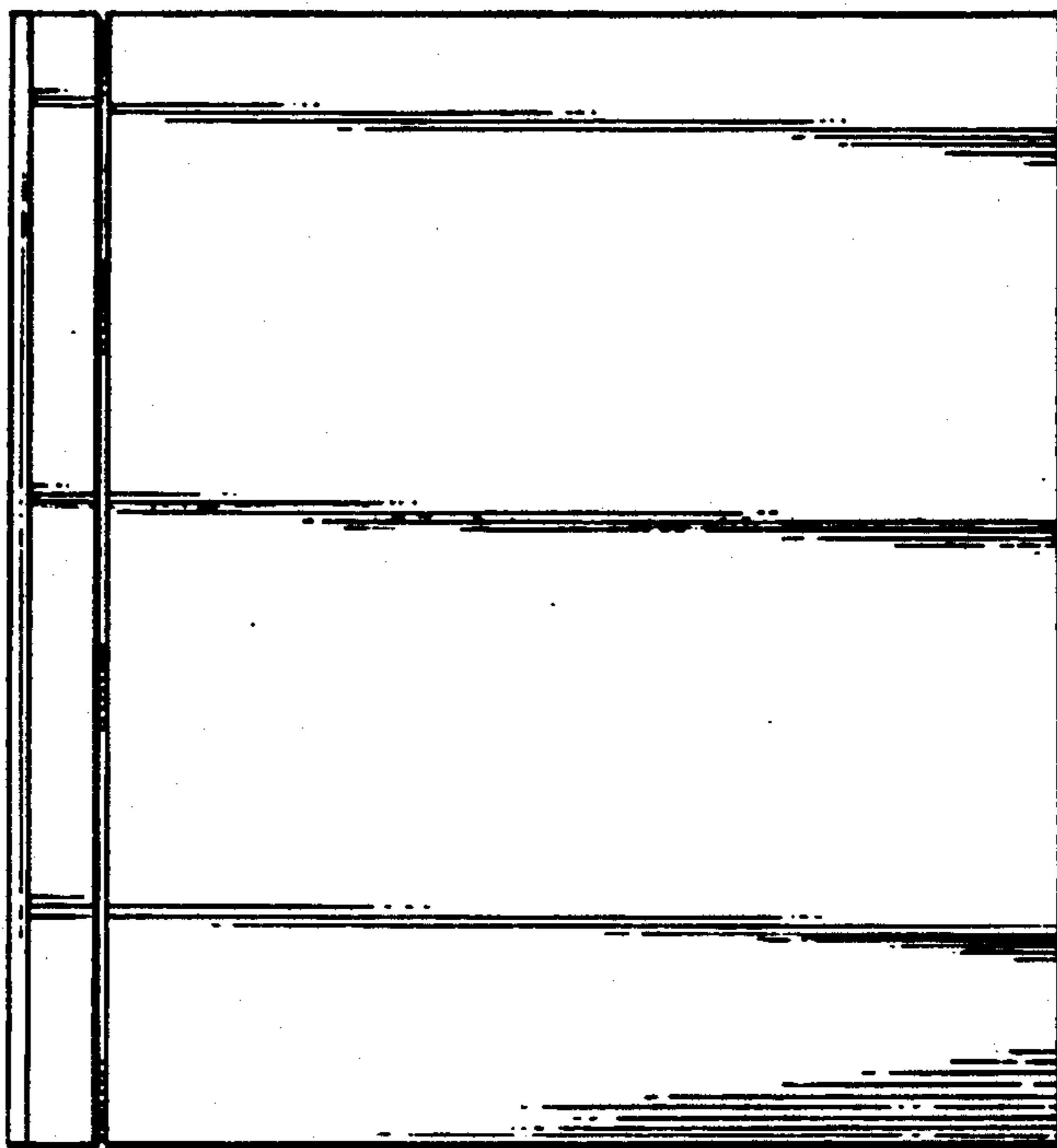


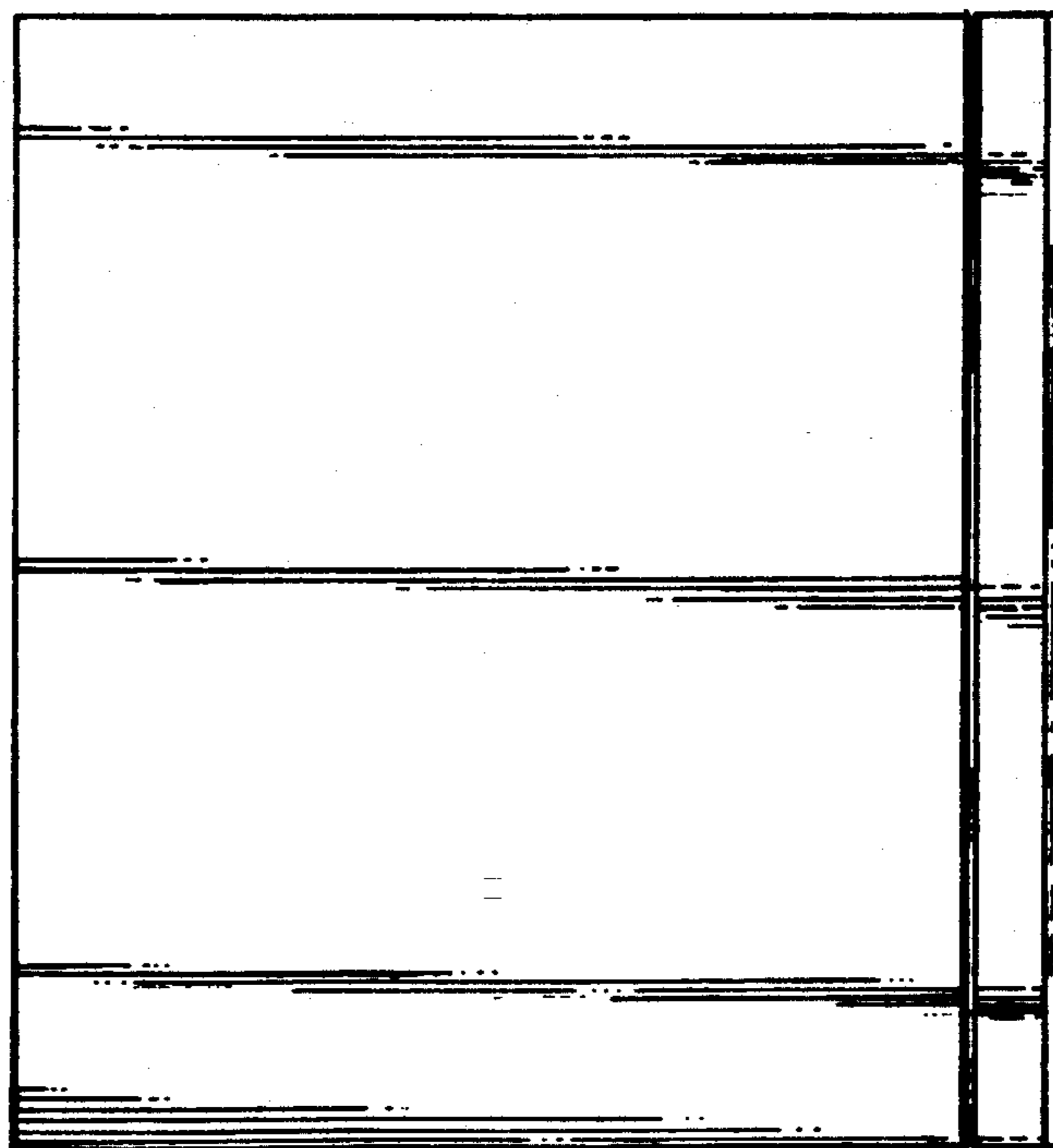
FIG. 5



*FIG. 6*



*FIG. 7*



UNITED STATES PATENT AND TRADEMARK OFFICE  
**CERTIFICATE OF CORRECTION**

PATENT NO. : Des. 337,770  
DATED : July 27, 1993  
INVENTOR(S) : Johnson et al

It is certified that error appears in the above-identified patent and that said Letters Patent is hereby corrected as shown below:

On title page, item [19], "Johnson" should read --Johnson, et al--

On title page, item [75] add the following;

The second inventor's name should be added and should read--John Henry Schaffeld  
New Vernon, N.J.

The third inventor's name should be added and should read--Richard James  
Schneebeli, Jr., New York, N.Y.

The fourth inventor's name should be added and should read  
--Gordon Elliot Sylvester, Jamaica, N.Y.--

Signed and Sealed this

Twenty-second Day of March, 1994

Attest:



BRUCE LEHMAN

Attesting Officer

Commissioner of Patents and Trademarks