



US00D337760S

United States Patent [19]

Schneider

[11] Patent Number: Des. 337,760

[45] Date of Patent: ** Jul. 27, 1993

[54] COMBINED MEDIA CARTRIDGE LOADER AND ASSOCIATED MAGAZINE

[75] Inventor: Günther Schneider, Germaringen, Fed. Rep. of Germany

[73] Assignee: Digital Equipment Corporation, Maynard, Mass.

[**] Term: 14 Years

[21] Appl. No.: 546,060

[22] Filed: Jun. 29, 1990

[52] U.S. Cl. D14/109

[58] Field of Search D14/100, 102, 107, 109; D13/184, 199; D6/432; 360/92, 95, 99.02, 99.06, 91, 98.04, 98.01, 98.06; 369/33, 34, 36, 38, 39, 77.2

[56] References Cited

U.S. PATENT DOCUMENTS

3,879,758	4/1974	Pyles	360/92
3,938,190	2/1976	Semmlow et al.	360/72
4,601,397	7/1986	Neumeier	209/608
4,644,427	2/1987	Ashby	360/98.04
4,688,124	8/1987	Schribner et al.	360/99.02 X
4,768,116	8/1988	Watanabe	369/38 X
4,815,055	3/1989	Fago, Jr.	369/36
4,899,326	2/1990	Takeya et al.	369/33 X
4,918,548	4/1990	O'Donnel et al.	369/34 X
5,001,582	3/1991	Numasaki	369/34 X
5,021,902	6/1991	Ishikawa et al.	360/92
5,058,100	10/1991	Yoshi	369/34 X
5,107,474	4/1992	Ishibashi et al.	369/34 X

OTHER PUBLICATIONS

Klasse 34, 1971, No. 1343, Cabinet (center of page). StorageTek, StorageTek Edges IBM, three other rivals. R. D. Parry et al., Article Selection System, Sep. 18, 1973, Re. 27,762.

Primary Examiner—Wallace R. Burke
Assistant Examiner—Freda S. Nunn
Attorney, Agent, or Firm—Fish & Richardson

[57] CLAIM

The ornamental design for the combined media cartridge loader and associated magazine, as shown.

DESCRIPTION

FIG. 1 is a perspective view of the combined cartridge loader and associated magazine;
FIG. 2 is a perspective view of the combined media cartridge loader and associated magazine;
FIG. 3 is a perspective view of the magazine and cartridge shown separately for clarity of illustration only;
FIG. 4 is a front elevation of the magazine;
FIG. 5 is a rear elevation of the magazine;
FIG. 6 is a left side elevation of the magazine;
FIG. 7 is a right side elevation of the magazine;
FIG. 8 is a top plan view of the magazine; and,
FIG. 9 is a bottom plan view of the magazine.

The undisclosed side rear and bottom of the media cartridge loader are flat and plain, the cartridge is shown in broken lines in FIG. 3 for illustrative purposes only and forms no part of the claimed design and the magazine is shown separately for clarity of illustration only in FIGS. 4-9 and, FIGS. 3-9 are drawn on an enlarged scale.

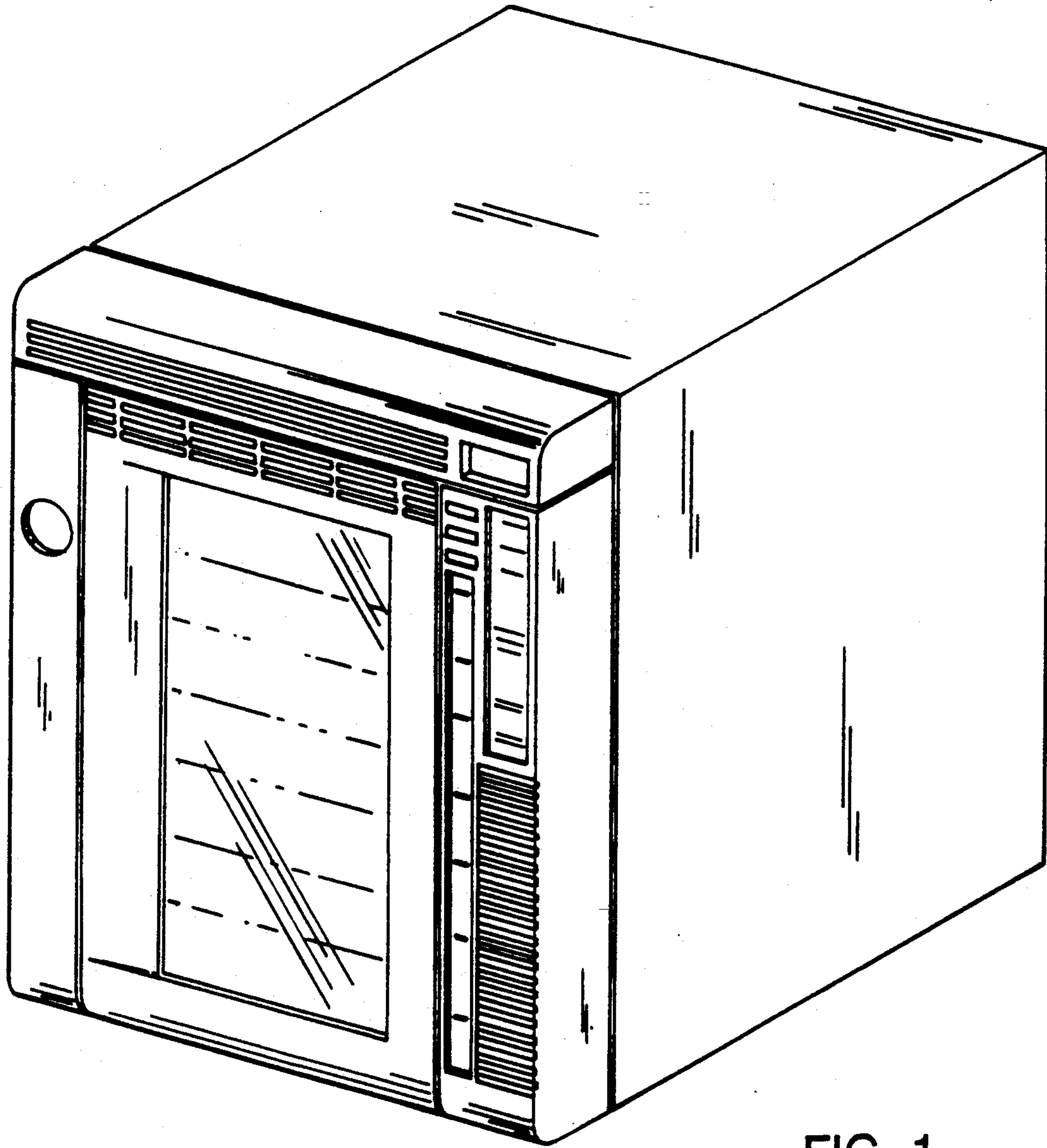


FIG. 1

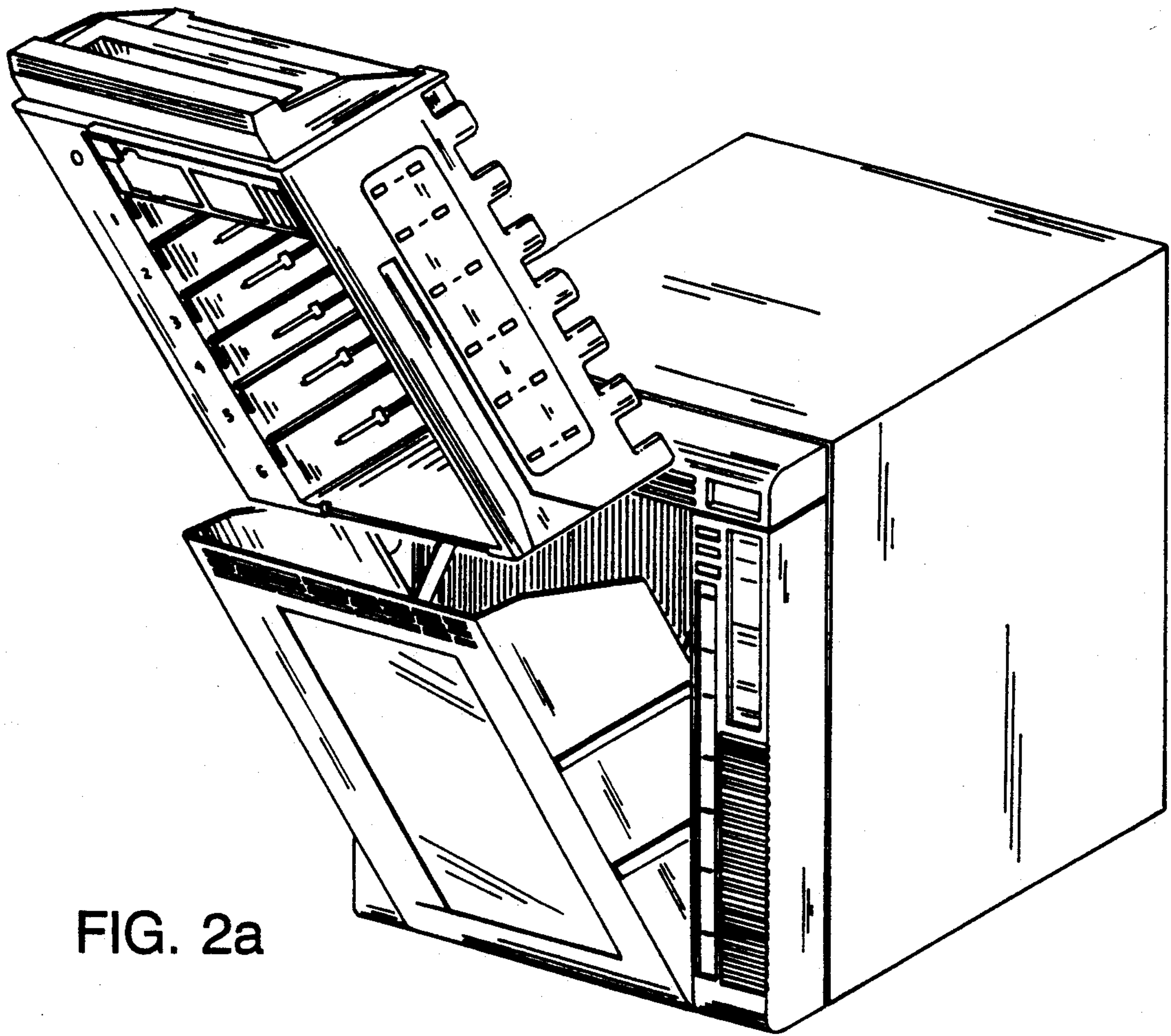


FIG. 2a

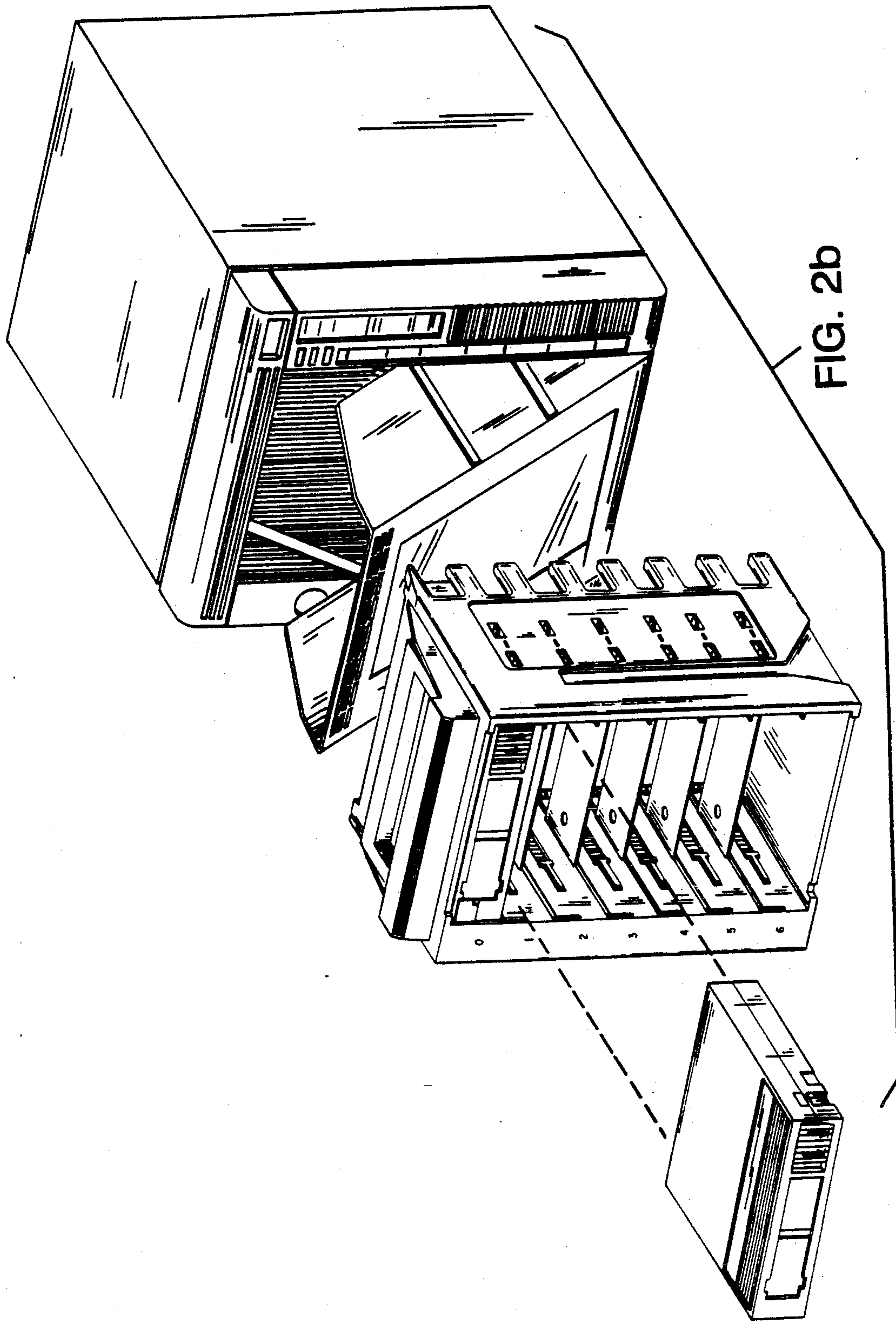


FIG. 2b

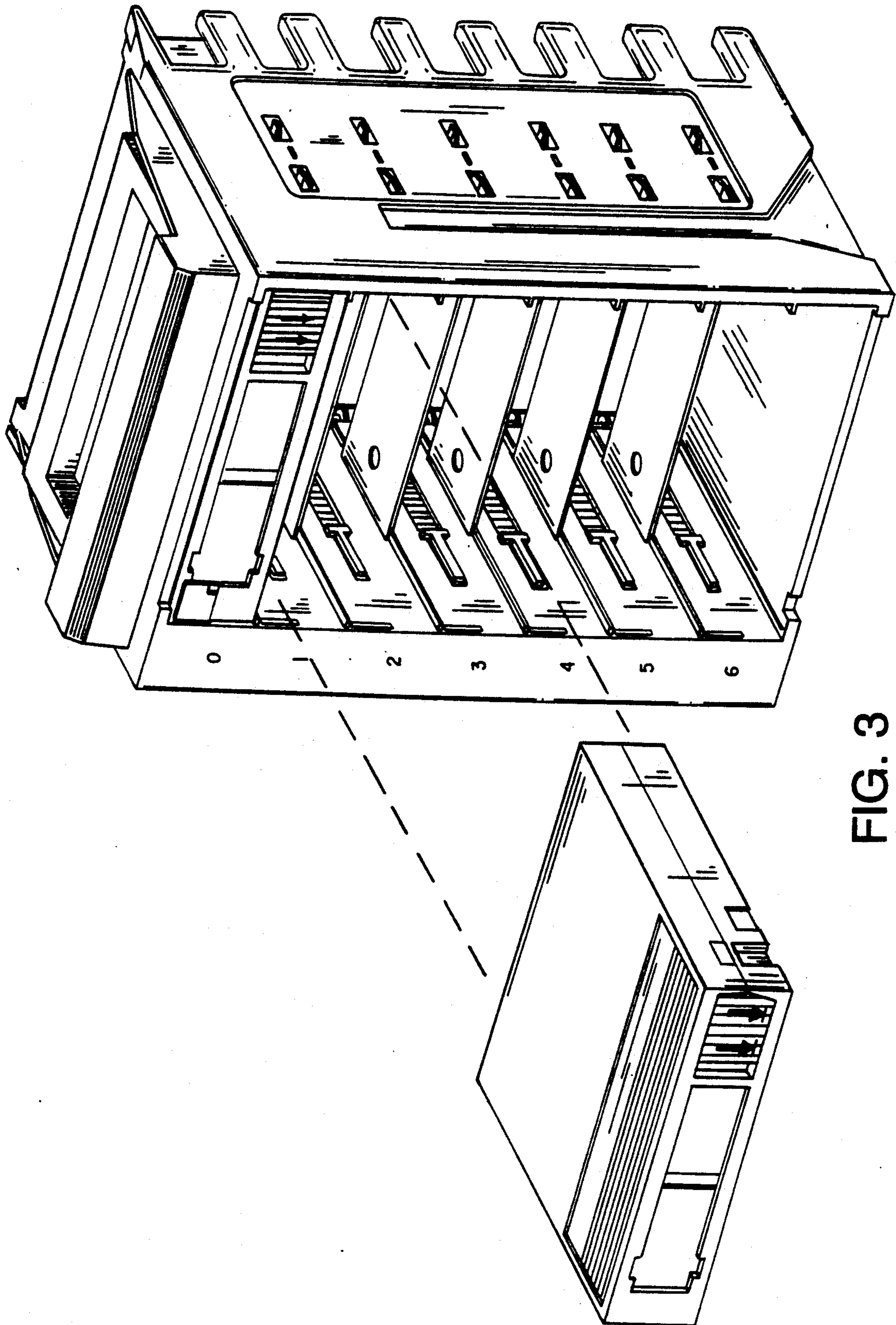


FIG. 3

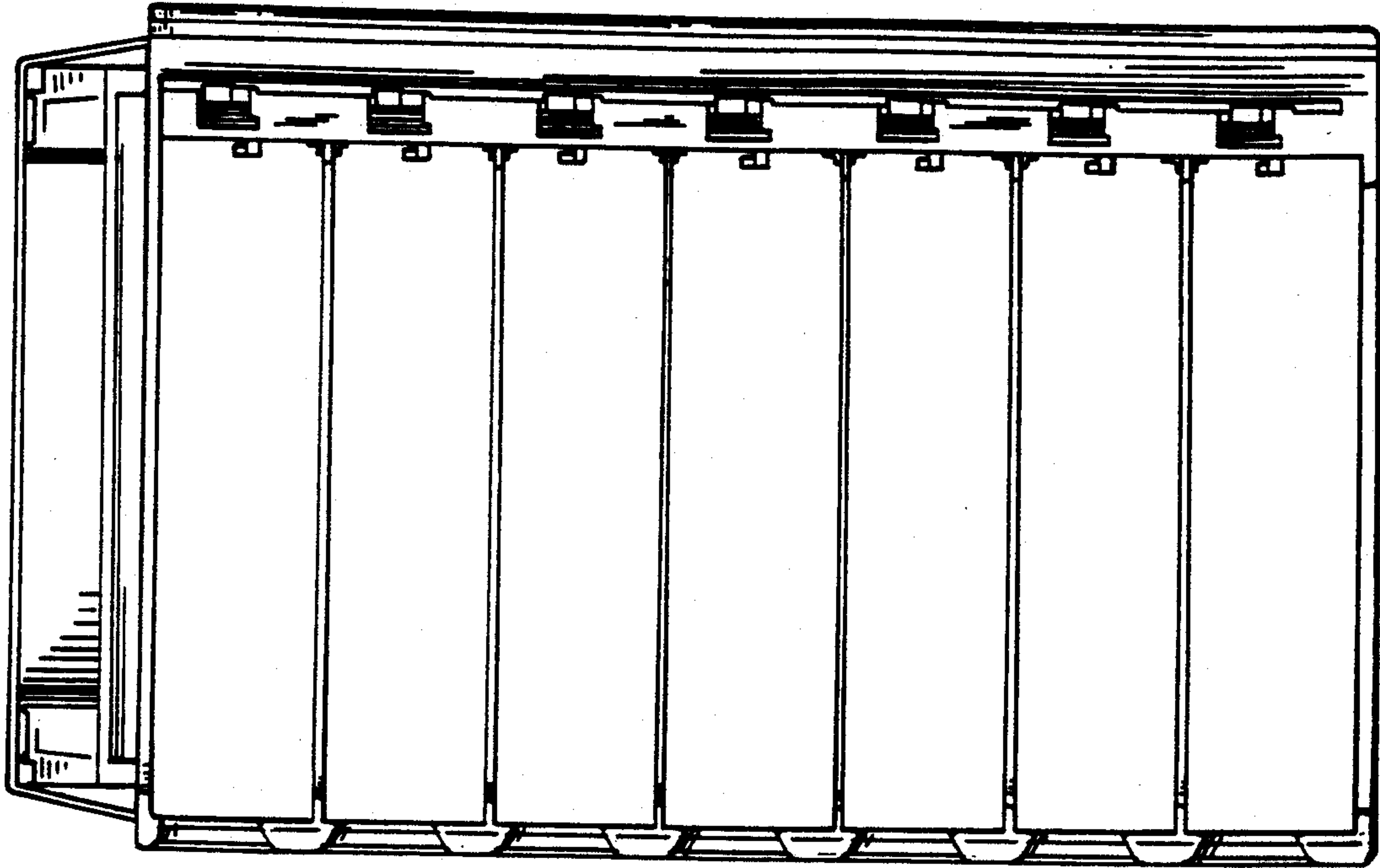


FIG. 5

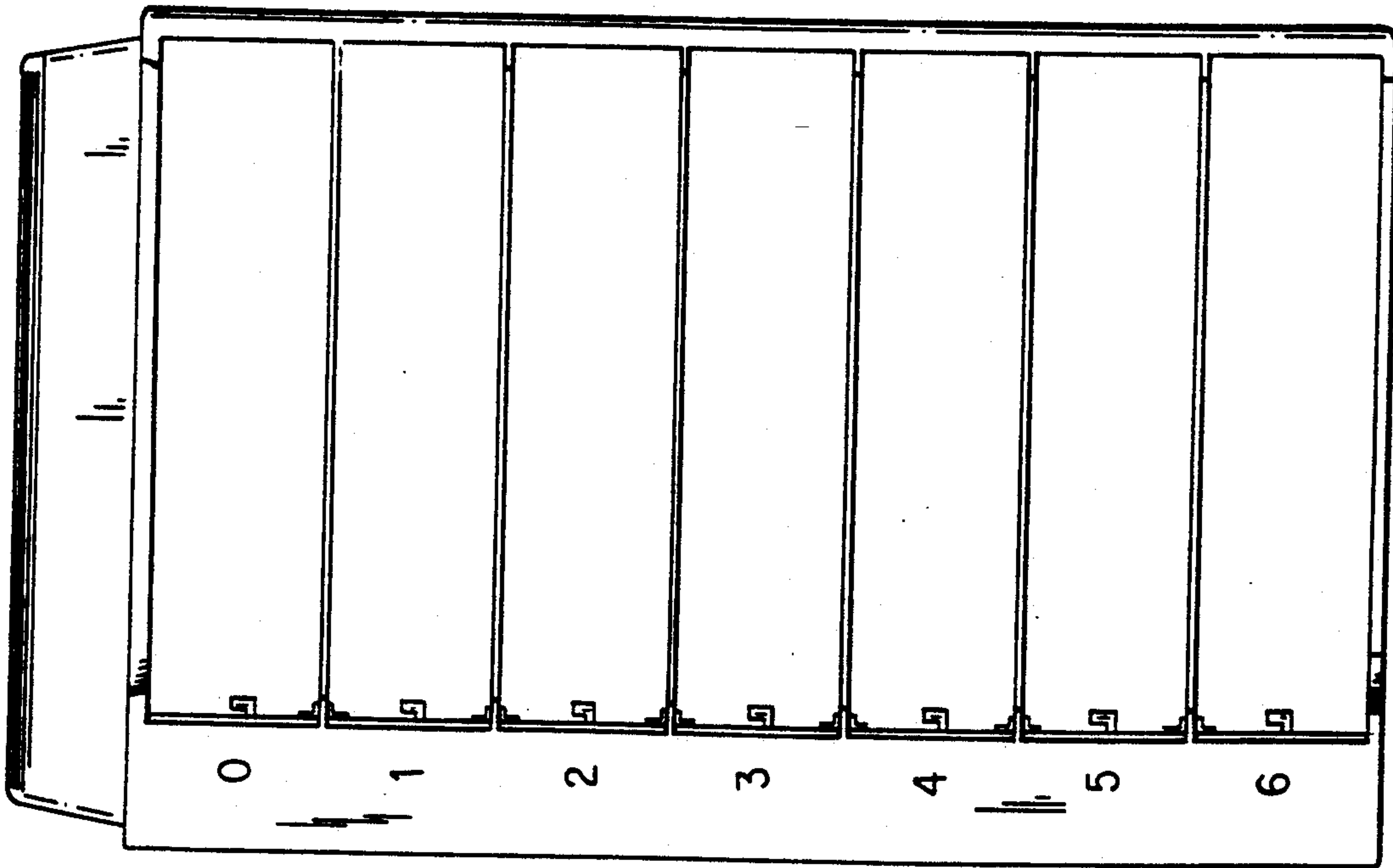


FIG. 4

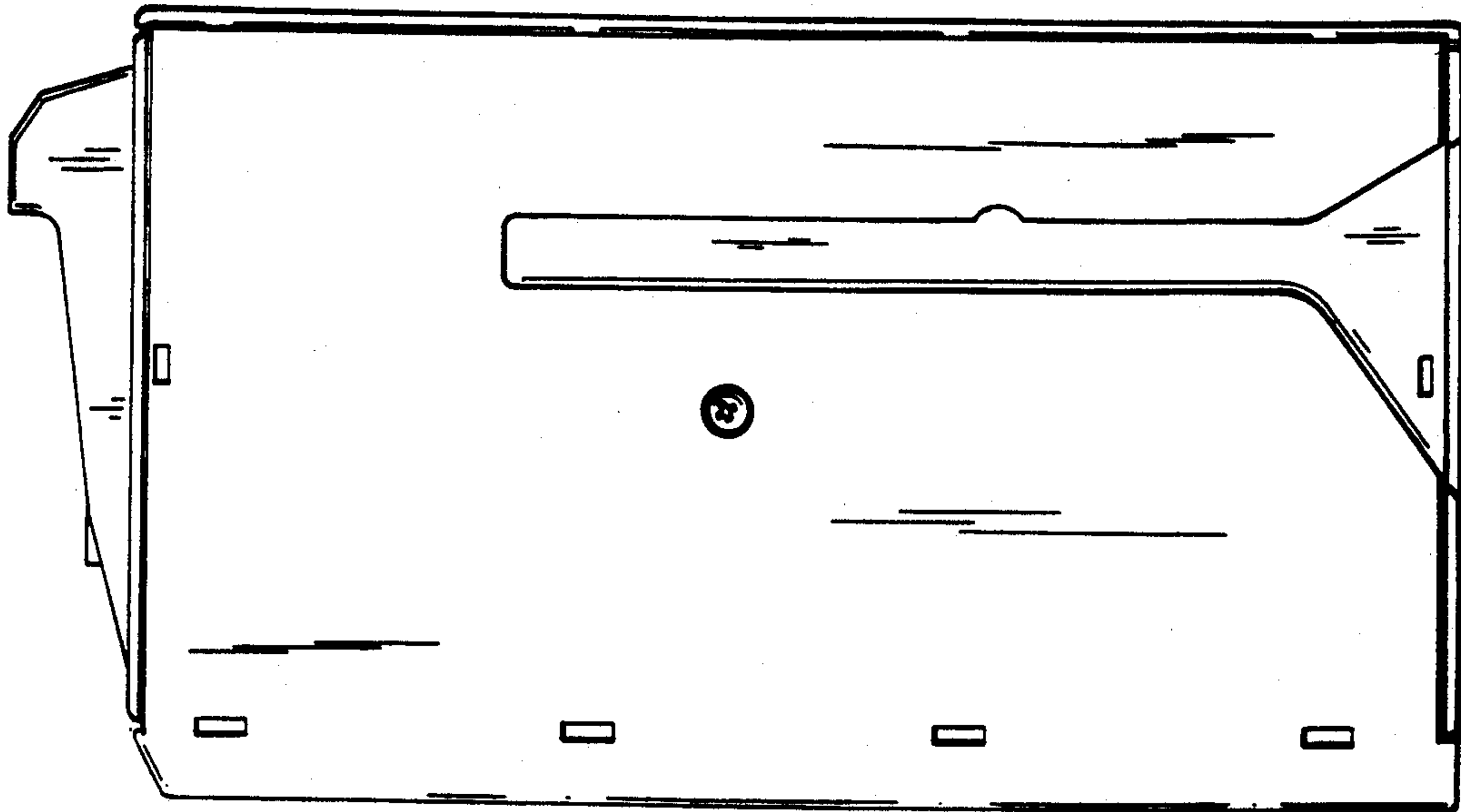


FIG. 7

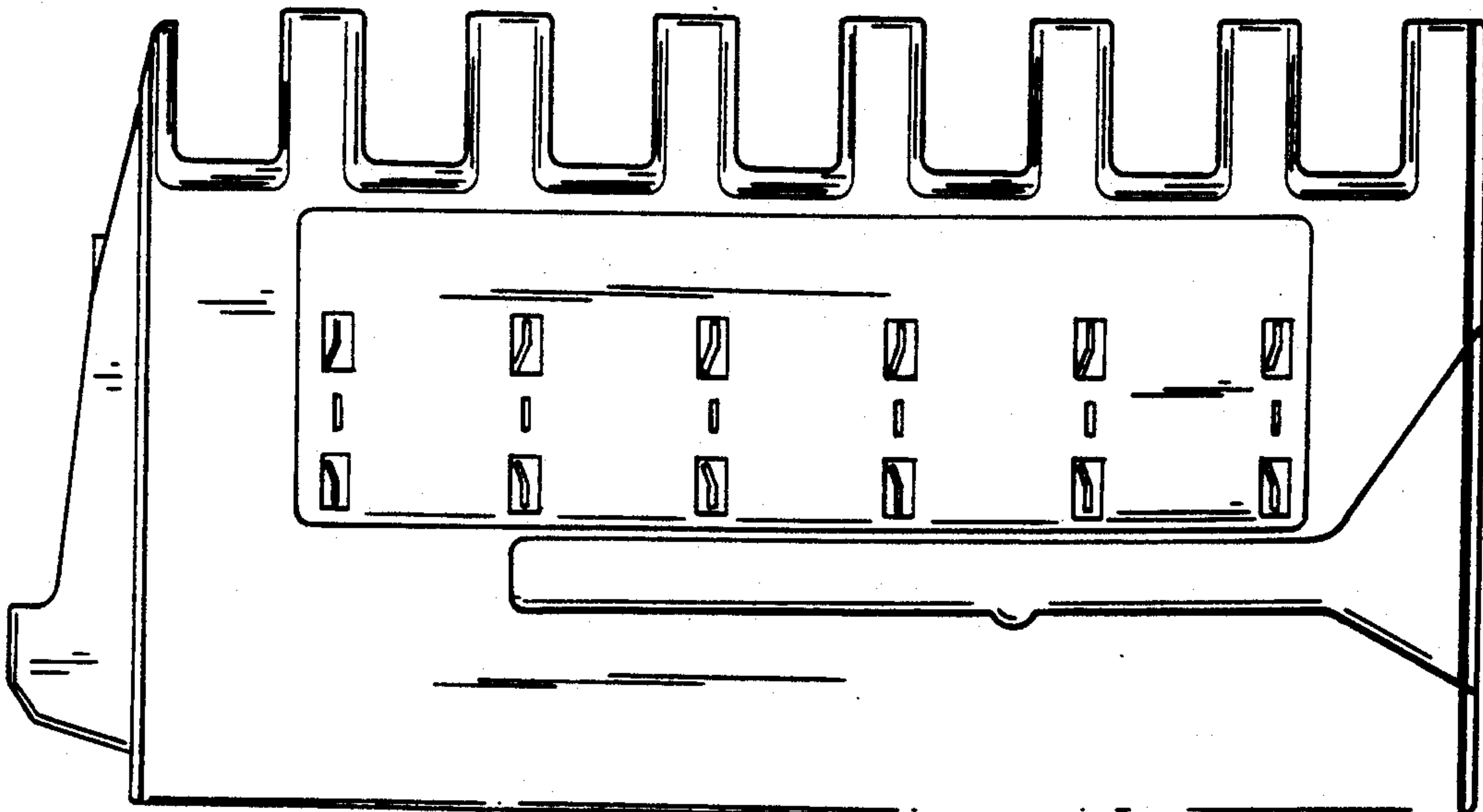


FIG. 6

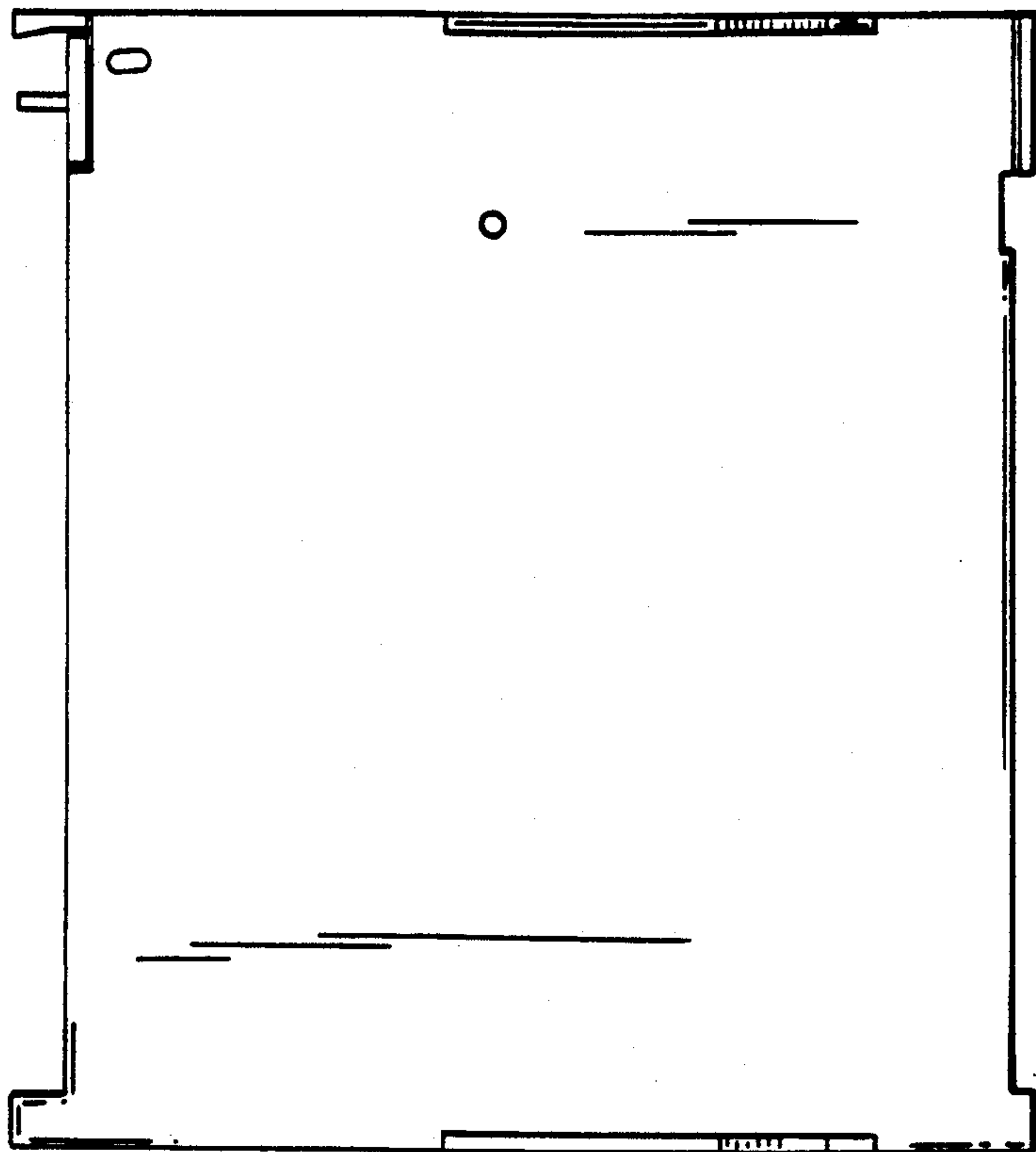


FIG. 9

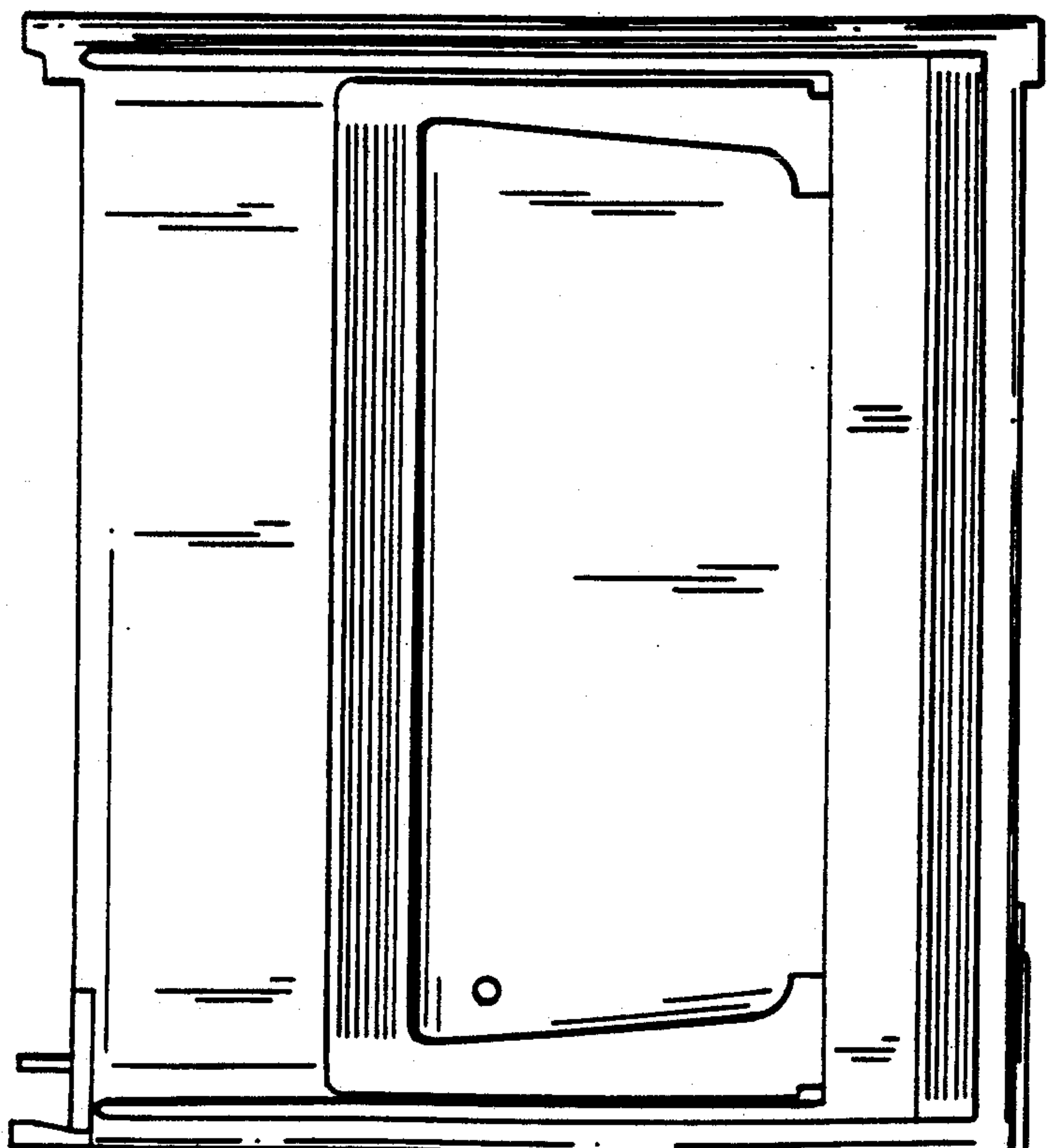


FIG. 8