



US00D337759S

United States Patent [19]

[11] Patent Number: **Des. 337,759**

Brunner et al.

[45] Date of Patent: **** Jul. 27, 1993**

[54] **LAPTOP COMPUTER**

D. 332,605 1/1993 Krakower et al. D14/106

[75] Inventors: **Robert D. Brunner**, San Jose;
Matthew J. Barthelemy, San Francisco;
Kenneth D. Wood, Woodside, all of Calif.

Primary Examiner—Wallace R. Burke
Assistant Examiner—Freda S. Nunn
Attorney, Agent, or Firm—Franklyn C. Weiss

[73] Assignee: **Apple Computer, Inc.**, Cupertino, Calif.

[57] **CLAIM**

The ornamental design for a laptop computer, as shown and described.

[**] Term: **14 Years**

DESCRIPTION

[21] Appl. No.: **764,406**

FIG. 1 is a front right side perspective view of a laptop computer with the rear feet in the raised position showing our new design;

[22] Filed: **Sep. 23, 1991**

FIG. 2 is a top view thereof on an enlarged scale;

[52] U.S. Cl. **D14/106**

FIG. 3 is a bottom view thereof;

[58] Field of Search **D14/100, 106, 115;**

FIG. 4 is a front view thereof;

D18/1, 7, 11, 12; 235/145 A, 145 R; 340/700, 706; 341/22, 23; 364/708, 709.4; 361/390-394

FIG. 5 is a rear view thereof with the cover panel closed;

[56] **References Cited**

U.S. PATENT DOCUMENTS

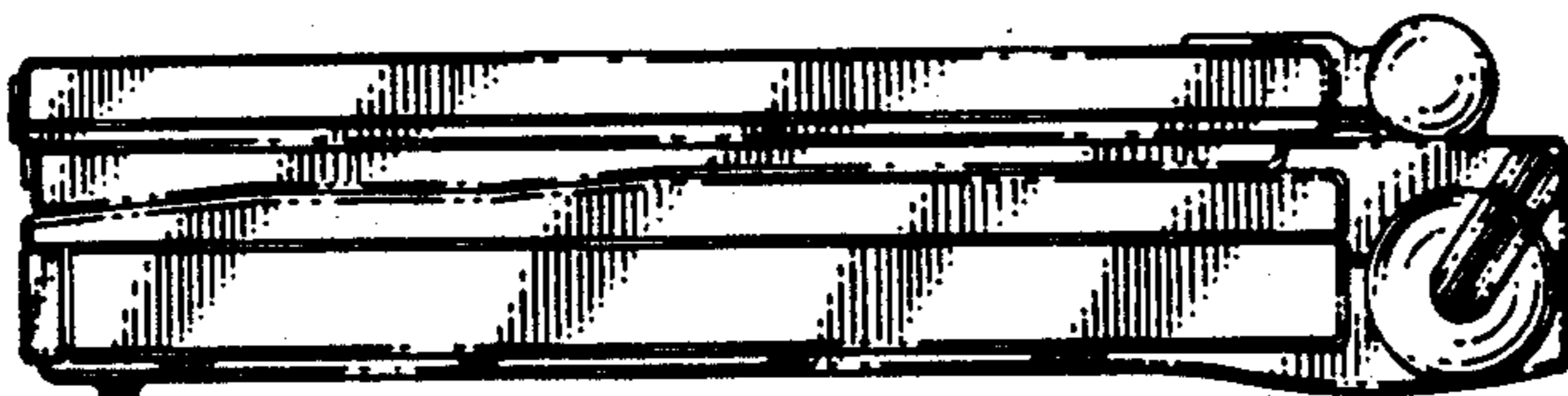
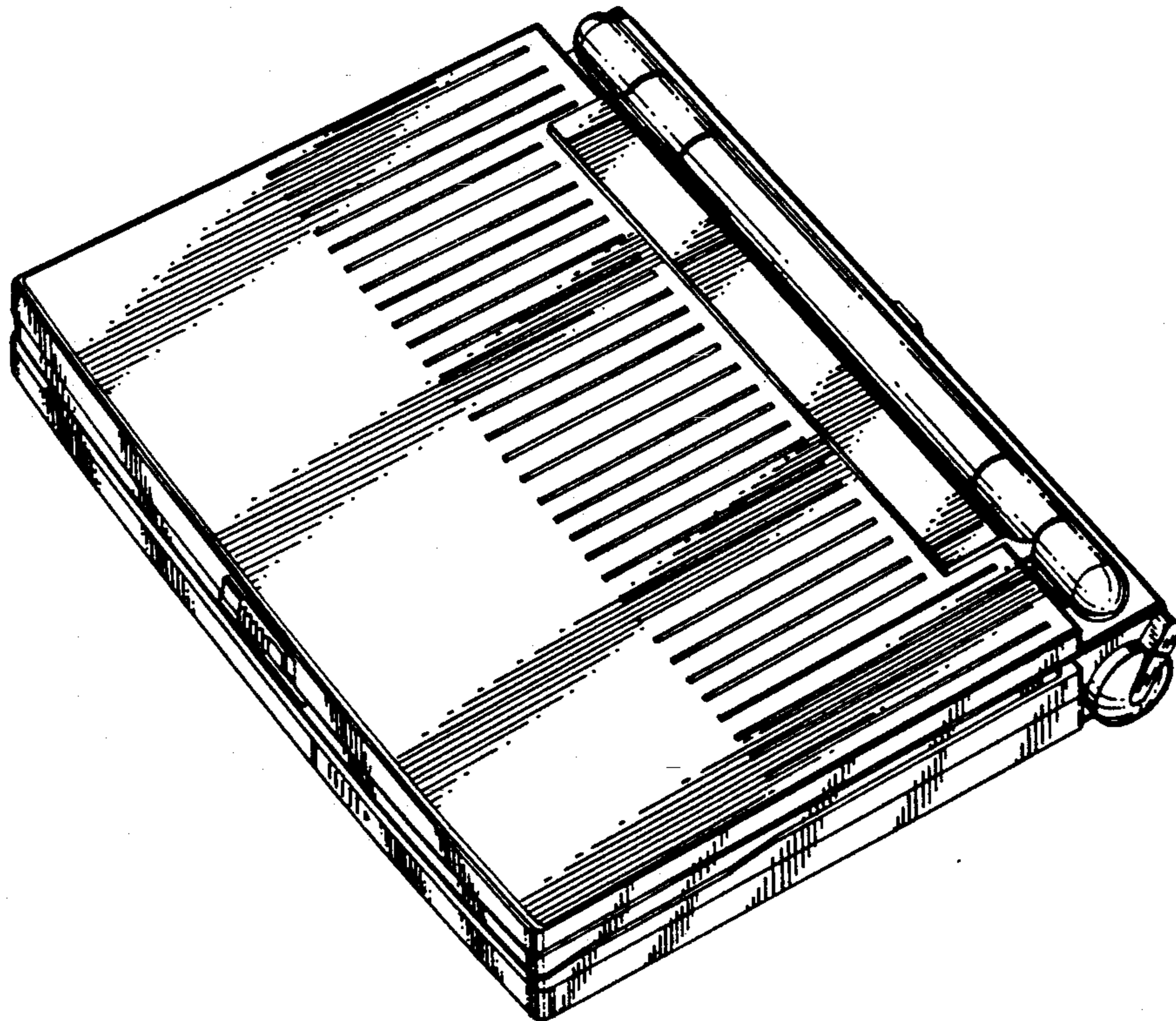
- D. 302,267 7/1989 Genaro et al. D14/106
- D. 305,883 2/1990 Burton D14/106
- D. 313,403 1/1991 Esslinger et al. D14/106

FIG. 6 is a rear view thereof with the cover panel opened;

FIG. 7 is a left side view thereof;

FIG. 8 is a right side view thereof; and,

FIG. 9 is a front right side perspective view thereof with the rear feet in the lowered position.



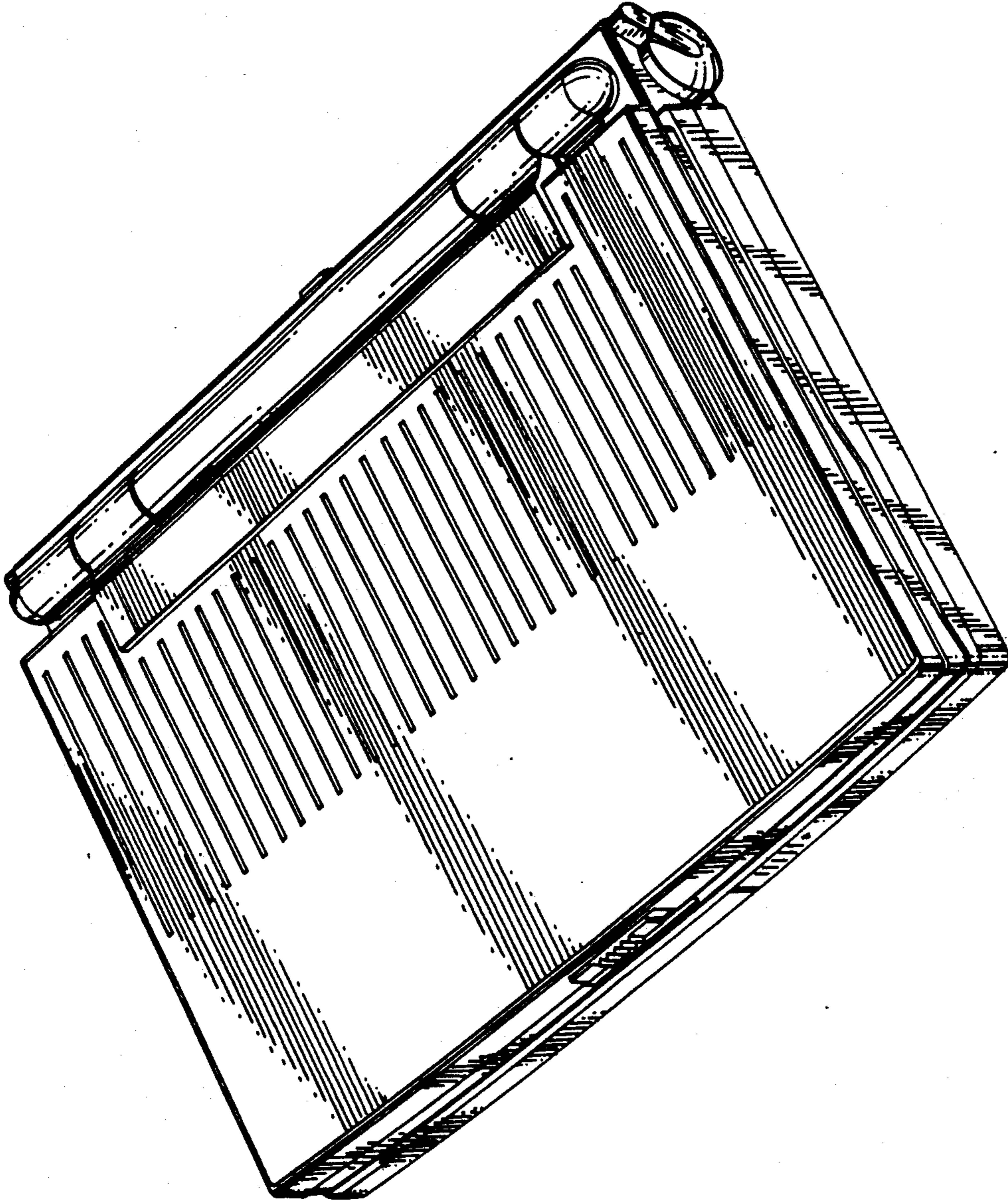


FIG. 1

FIG 2

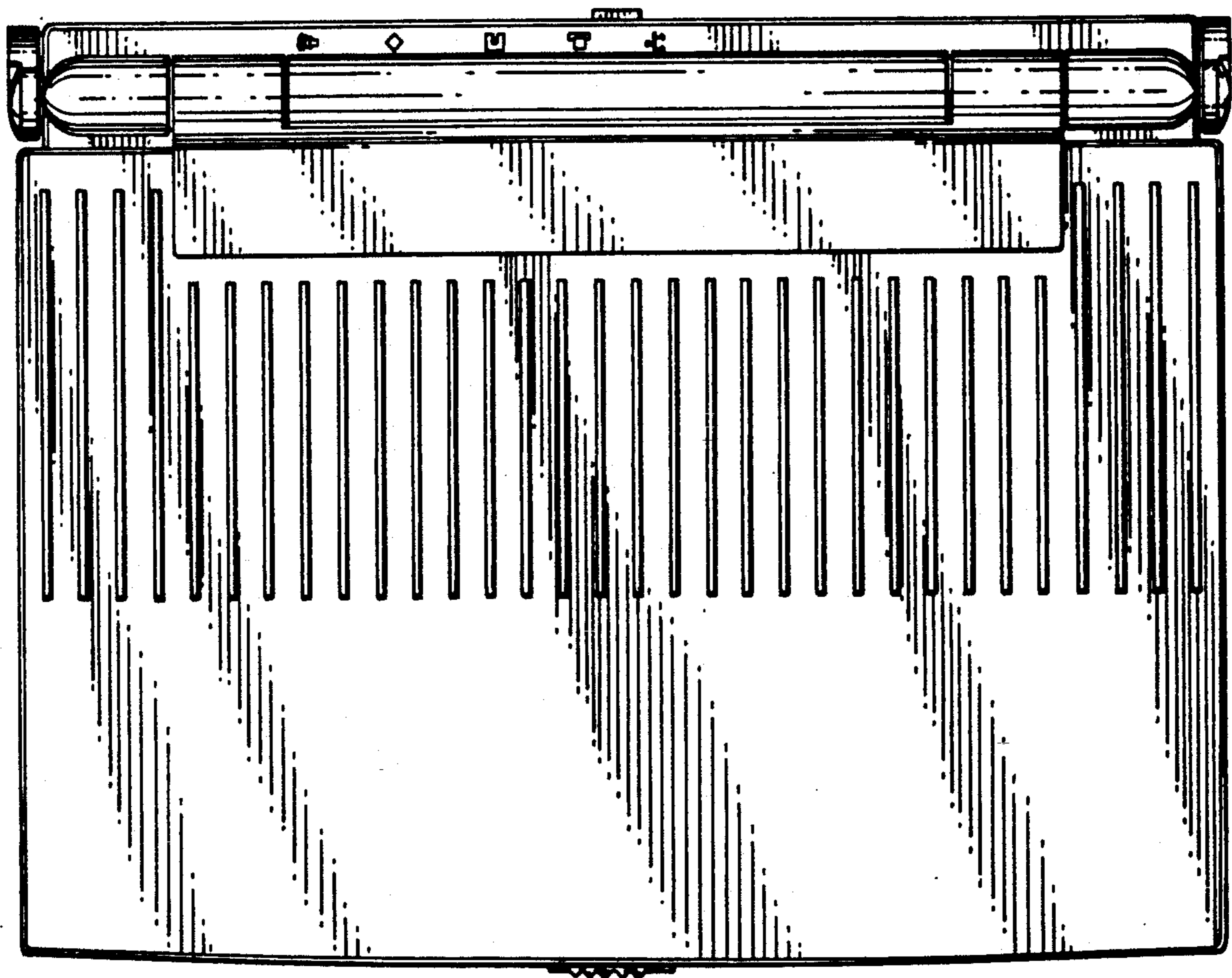


FIG 3

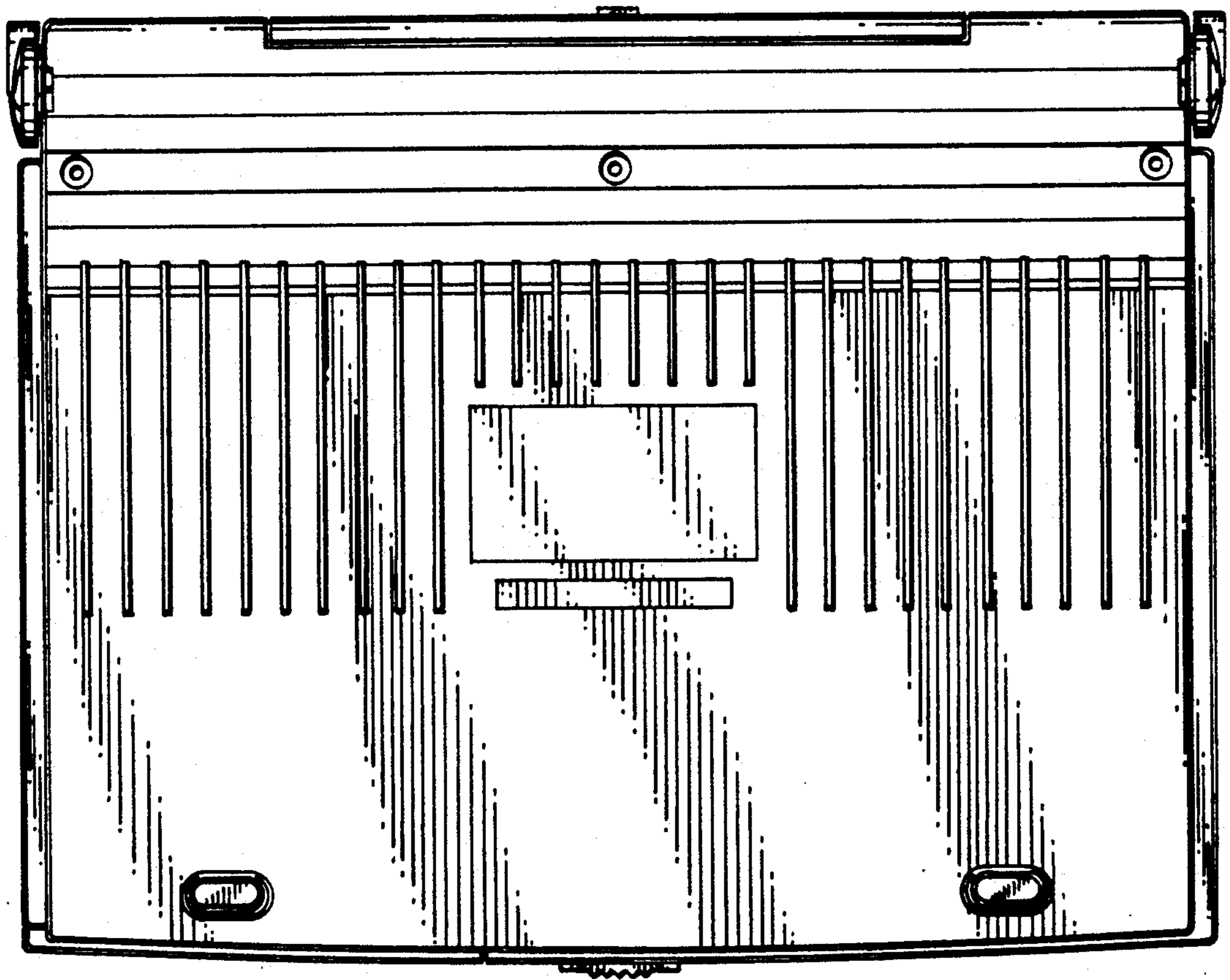


FIG 4

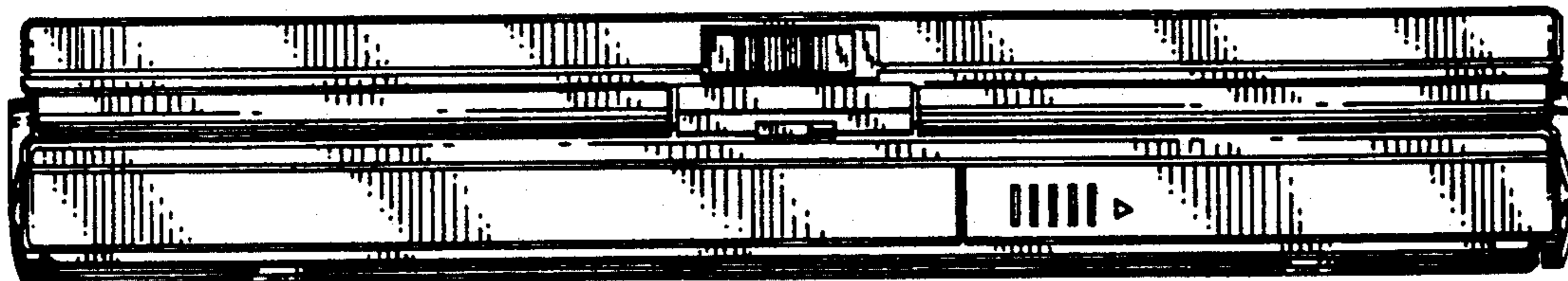


FIG 5

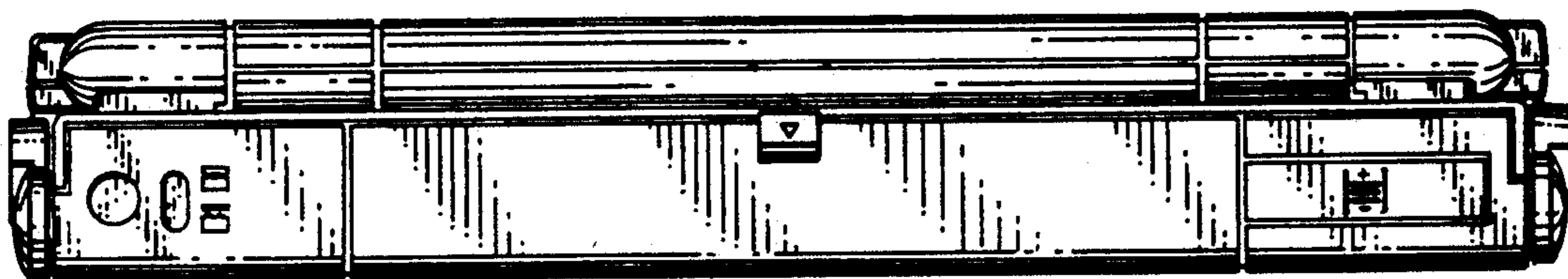


FIG 6

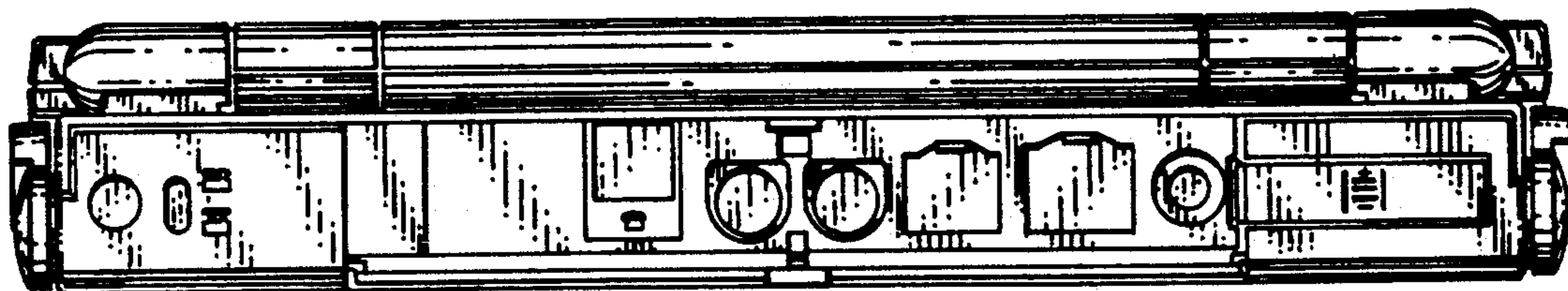


FIG 7

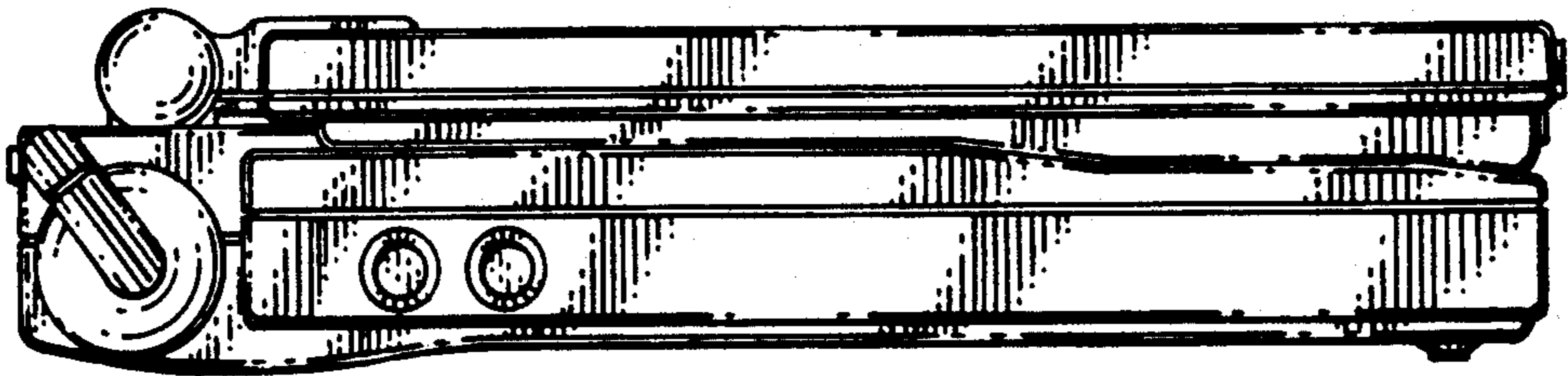
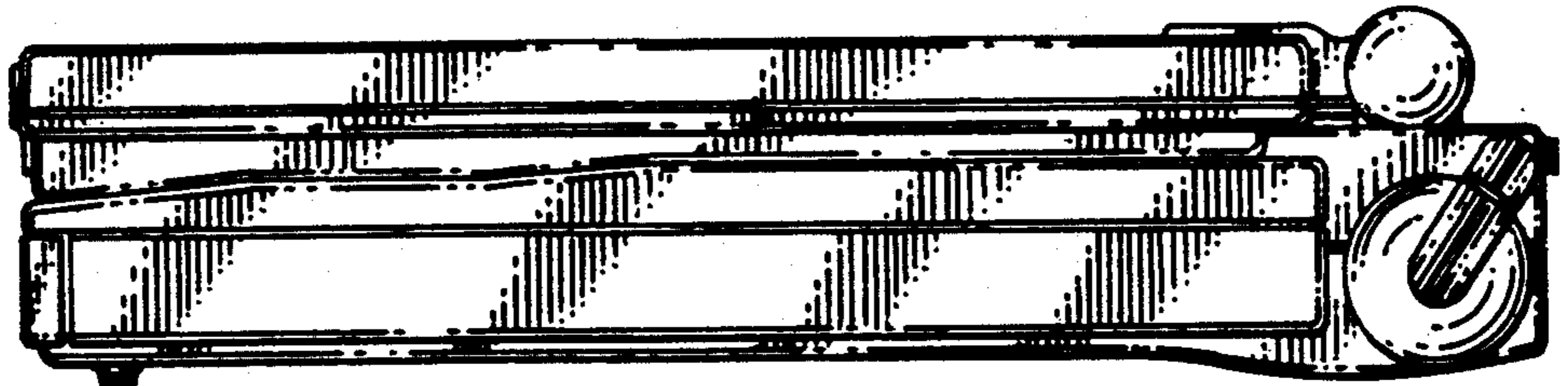


FIG 8



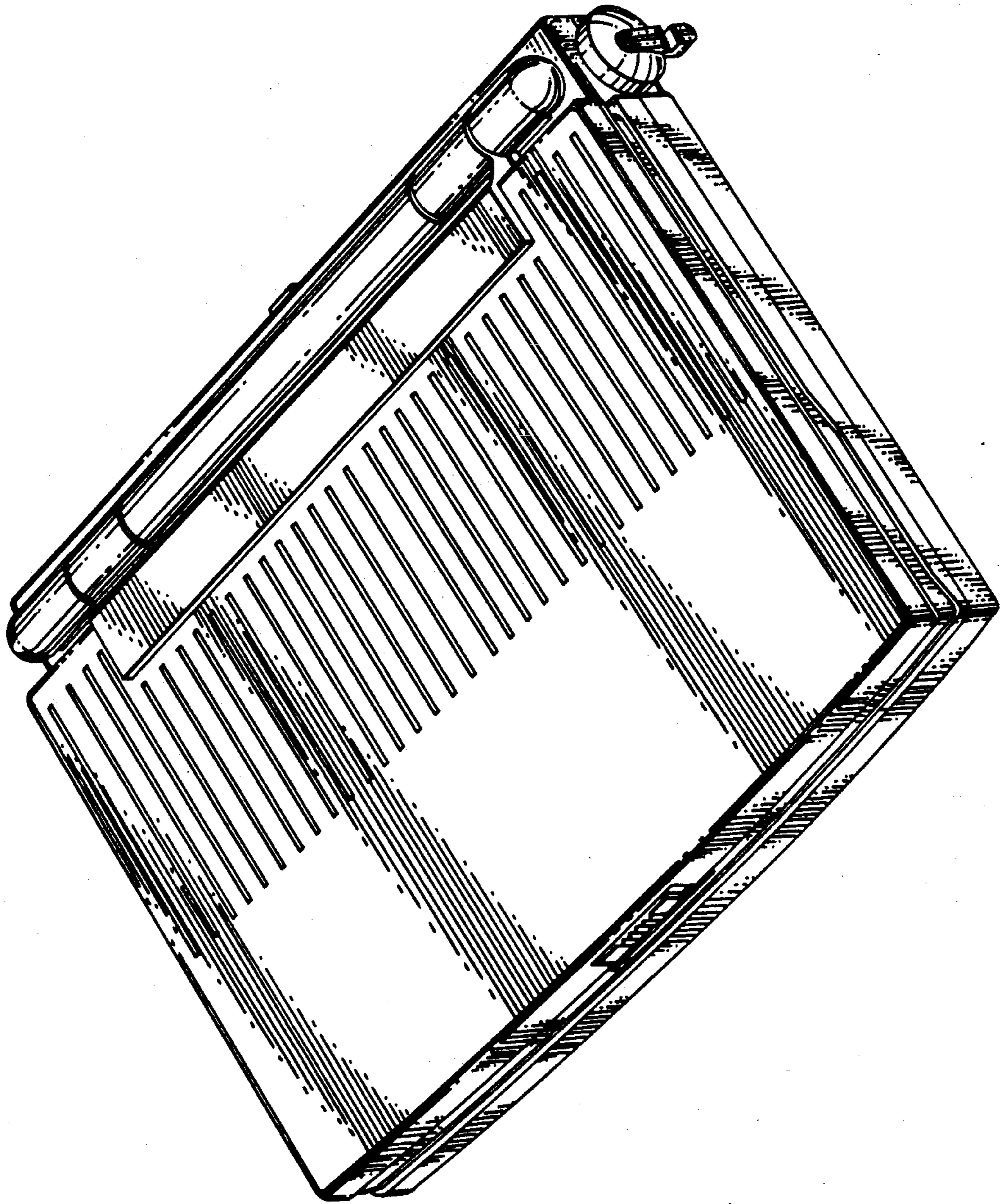


FIG. 6