



US00D337756S

# United States Patent [19]

[11] Patent Number: Des. 337,756

Radriguez Prados

[45] Date of Patent: \*\* Jul. 27, 1993

## [54] EJECTING AND RETAINING CATCH FOR PRINTED CIRCUIT BOARD SLEEVES

[75] Inventor: **Rafael Radriguez Prados**, Madrid, Spain

[73] Assignee: **Telefonica de Espana, S.A.**, Madrid, Spain

[\*\*] Term: **14 Years**

[21] Appl. No.: **583,709**

[22] Filed: **Sep. 17, 1990**

### [30] Foreign Application Priority Data

Mar. 15, 1990 [ES] Spain ..... 121.509

[52] U.S. Cl. .... **D13/182**

[58] Field of Search ..... D8/330-331, D8/343; D13/173, 182; D14/114; 361/399, 397, 400, 417

### [56] References Cited

#### U.S. PATENT DOCUMENTS

4,064,551 12/1977 Lightfoot ..... 361/399  
4,197,572 4/1980 Aimar ..... 361/399

### FOREIGN PATENT DOCUMENTS

0191968 8/1986 European Pat. Off. .  
0269608 6/1988 European Pat. Off. .  
2001477A 1/1979 United Kingdom .

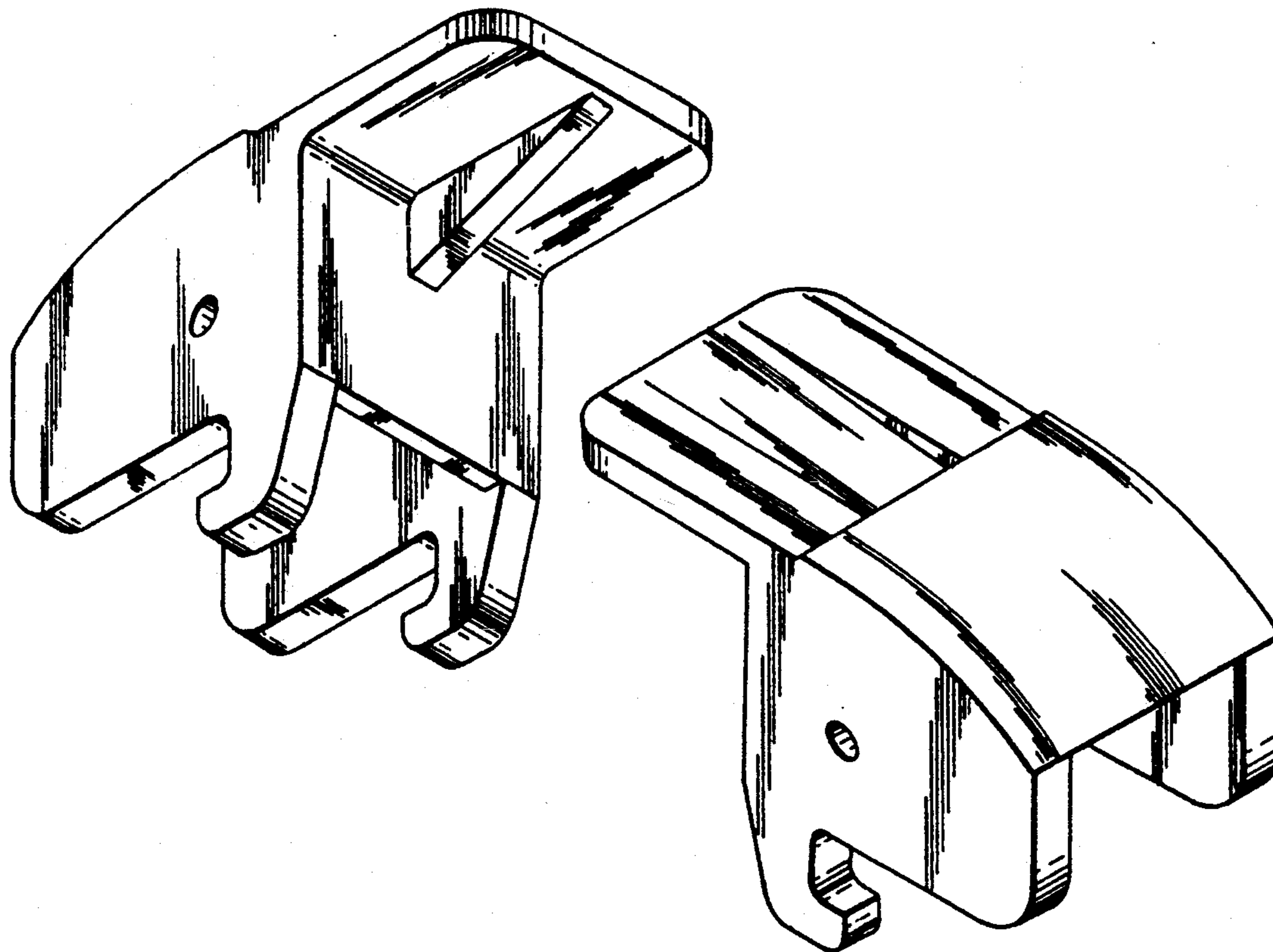
*Primary Examiner*—Brian N. Vinson  
*Attorney, Agent, or Firm*—Mason, Fenwick & Lawrence

### [57] CLAIM

The ornamental design for an ejecting and retaining catch for printed circuit board sleeves, as shown and described.

### DESCRIPTION

FIG. 1 is a bottom, front, and left side perspective view of an ejecting and retaining catch for printed circuit board sleeves showing my new design;  
FIG. 2 is a top, rear, and left side perspective view thereof;  
FIG. 3 is a reduced front elevational view thereof;  
FIG. 4 is a reduced right side elevational view thereof, the left side being a mirror image of that shown;  
FIG. 5 is a reduced rear elevational view thereof;  
FIG. 6 is a reduced top plan view thereof; and,  
FIG. 7 is a reduced bottom plan view thereof.



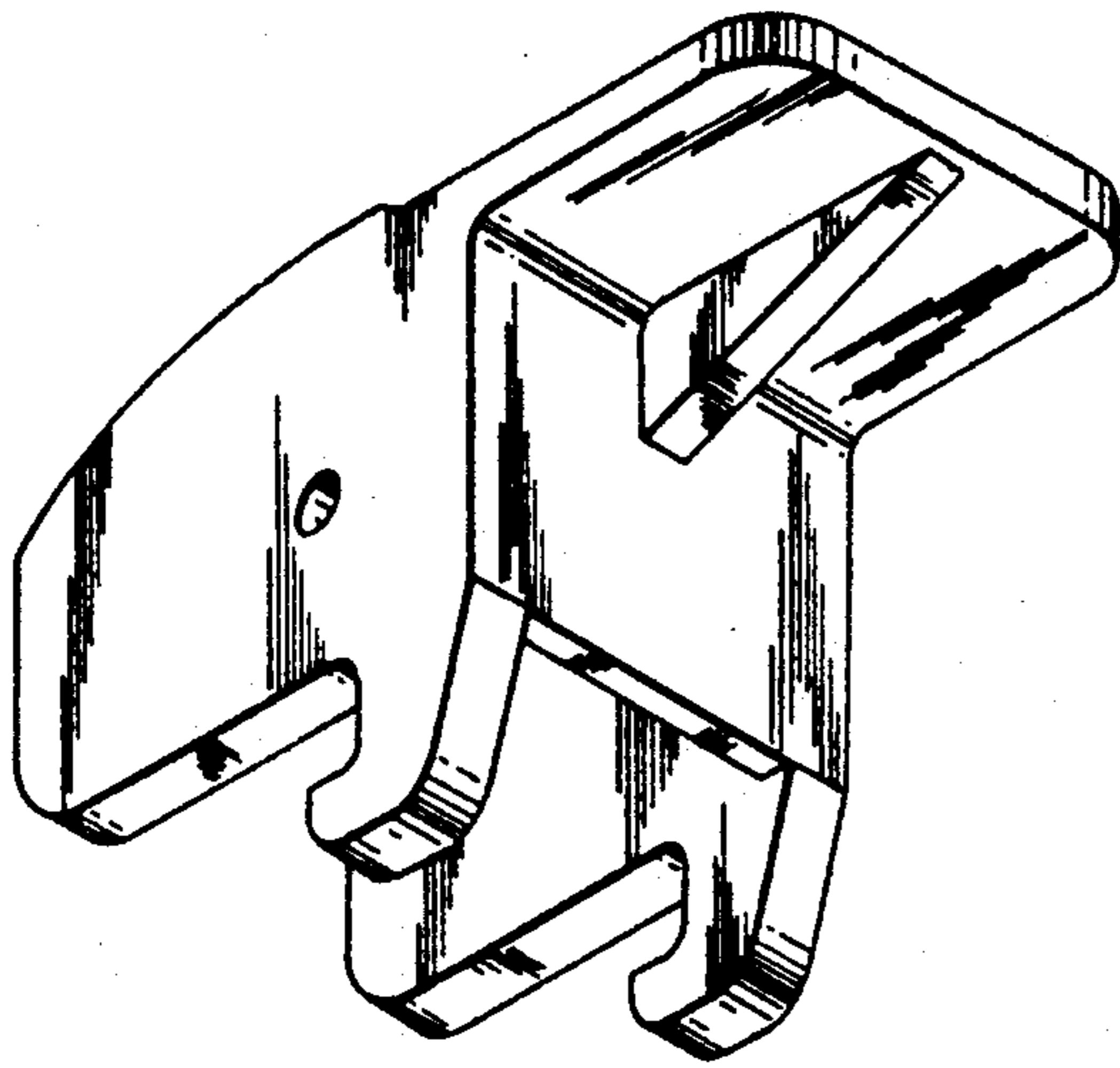


FIG. 1

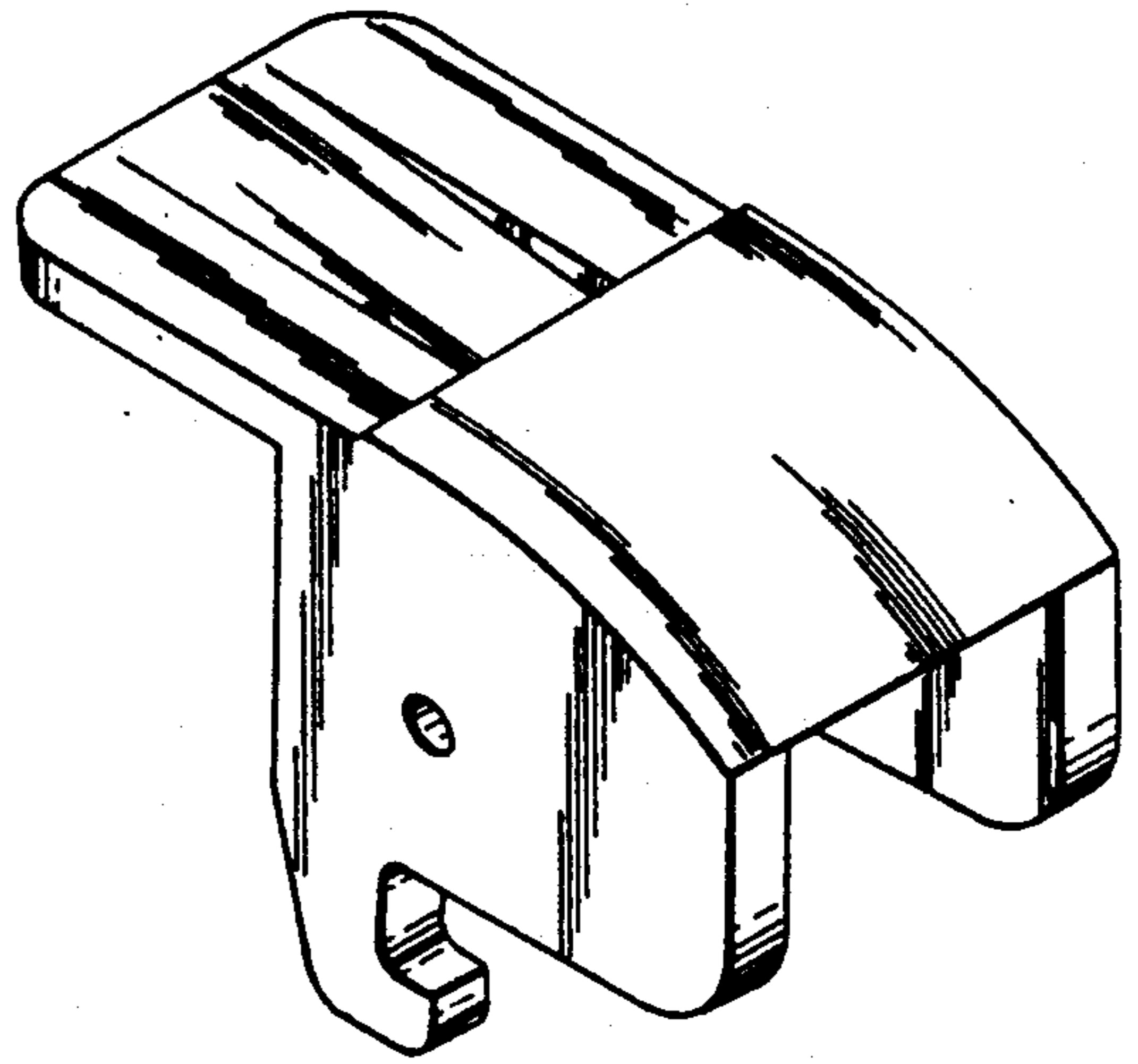


FIG. 2

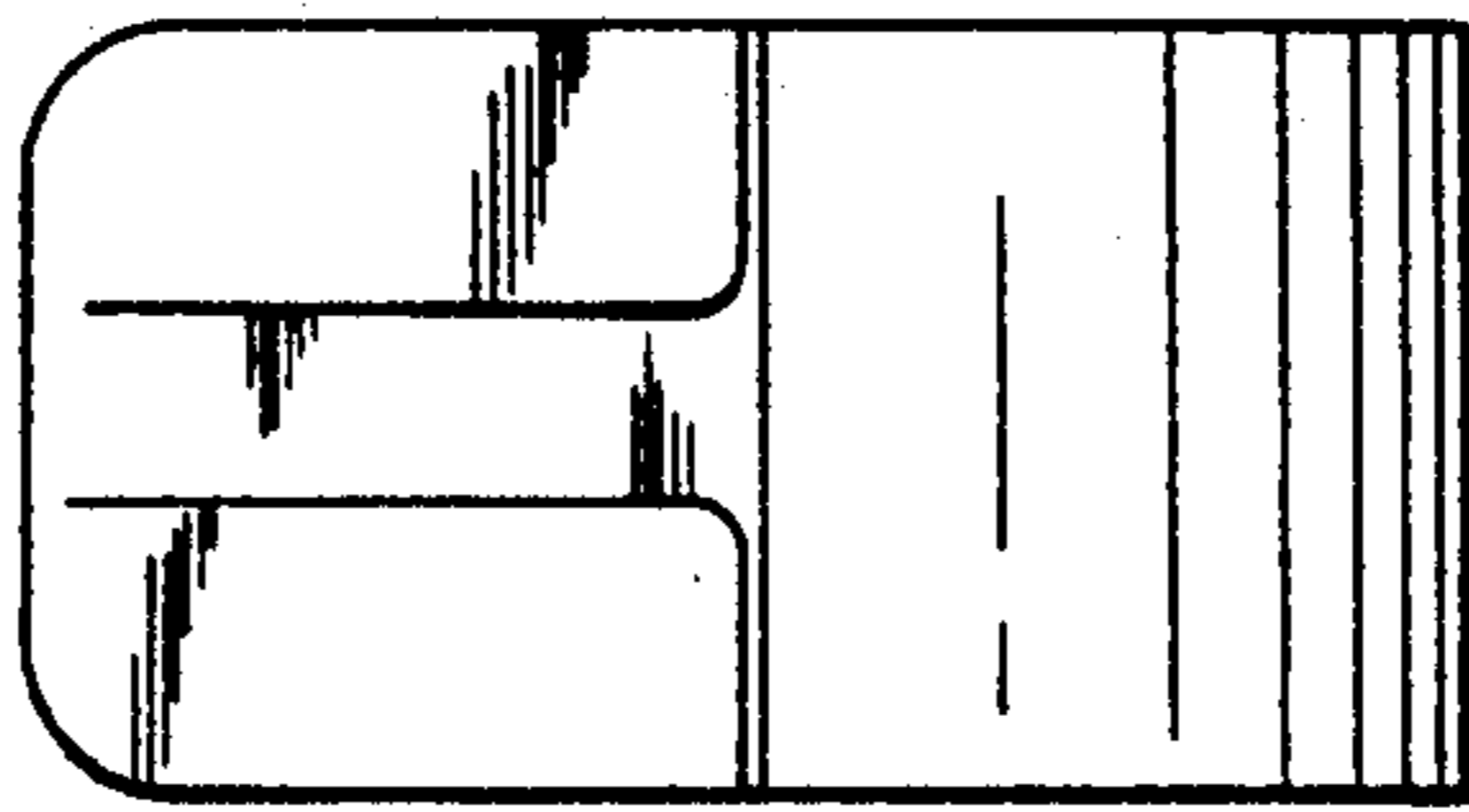


FIG. 6

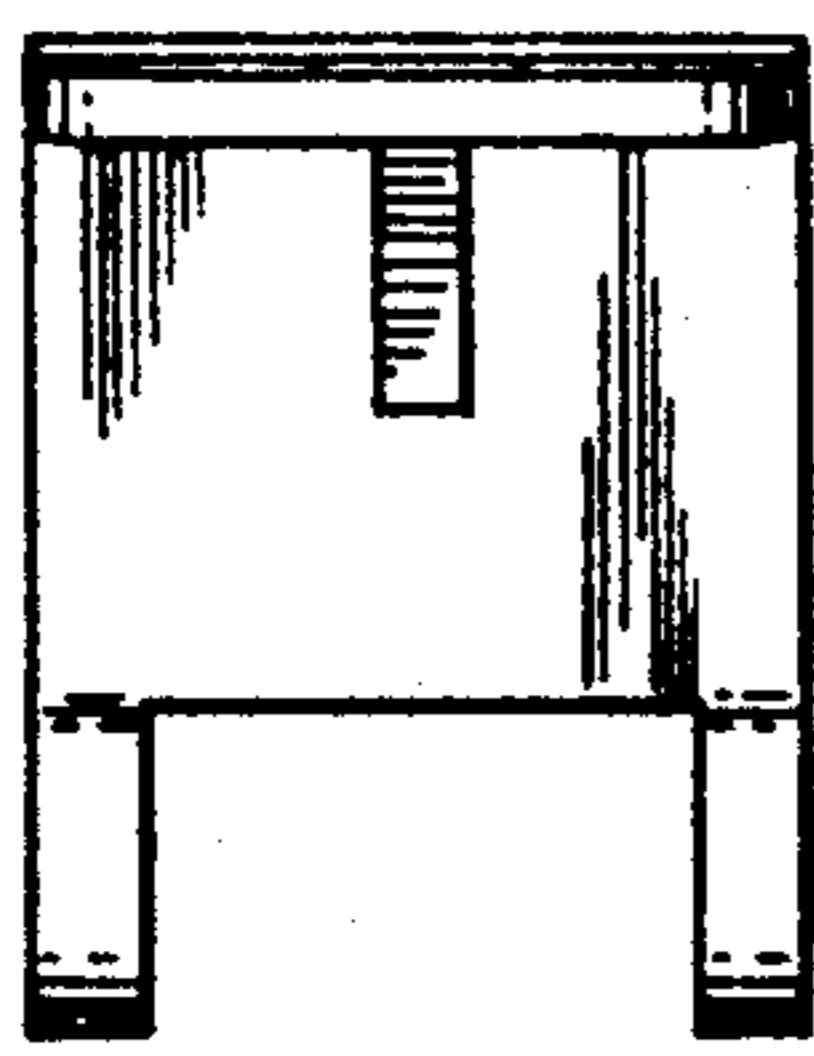


FIG. 3

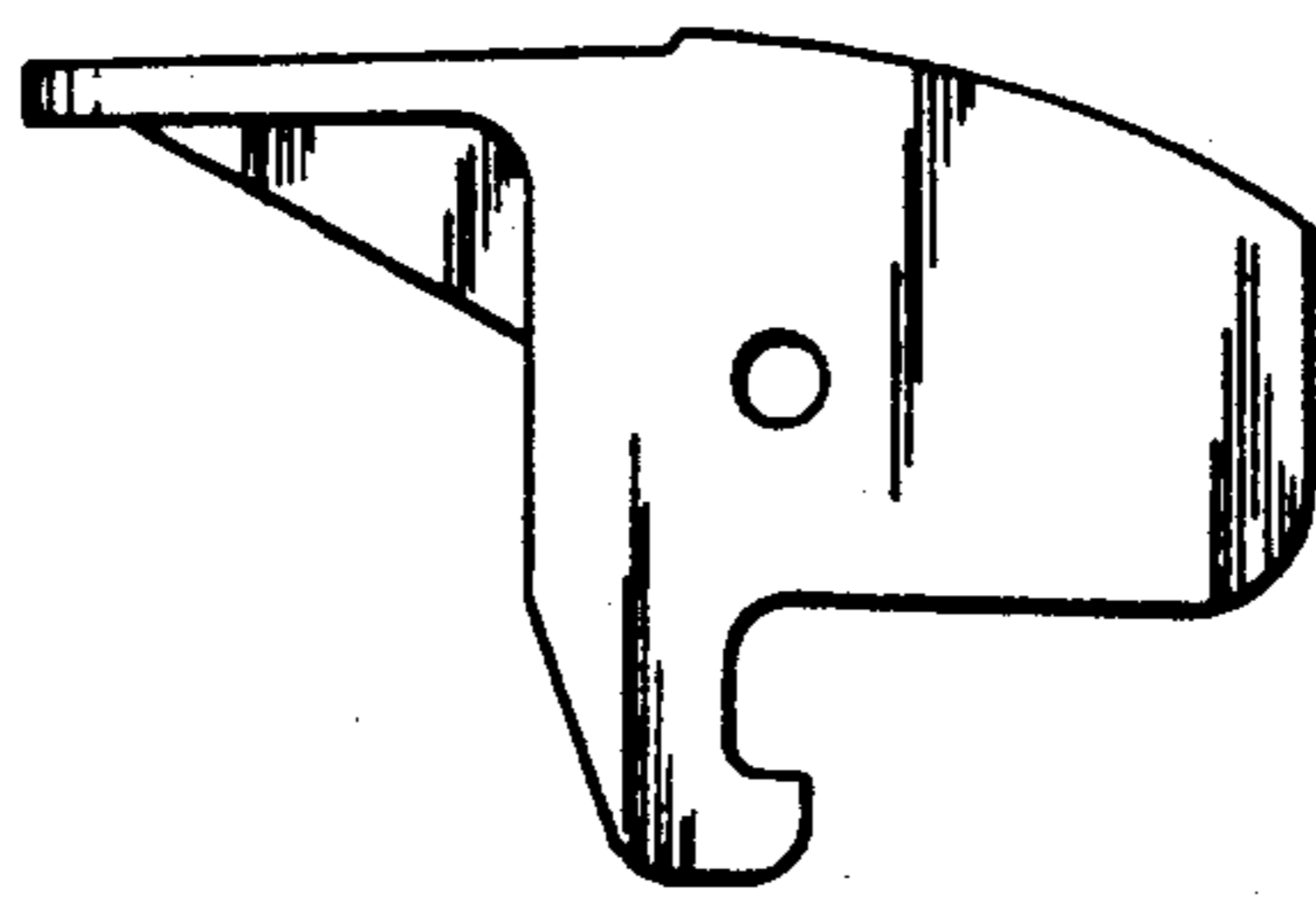


FIG. 4

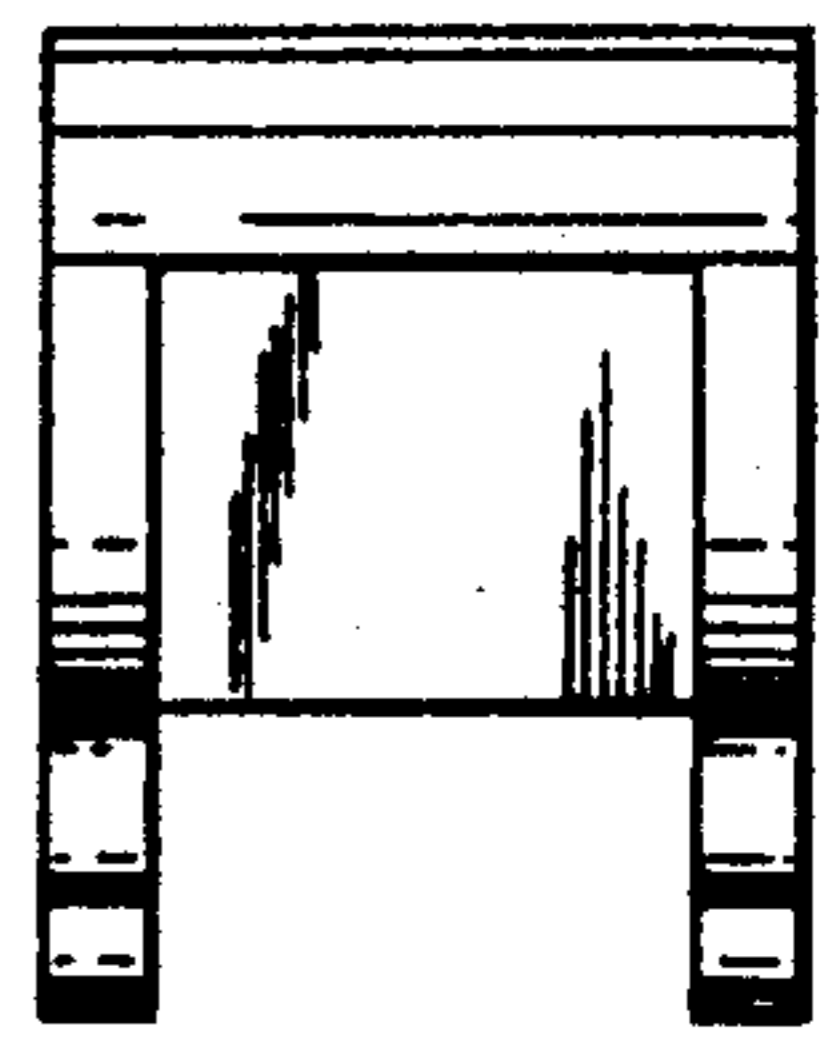


FIG. 5

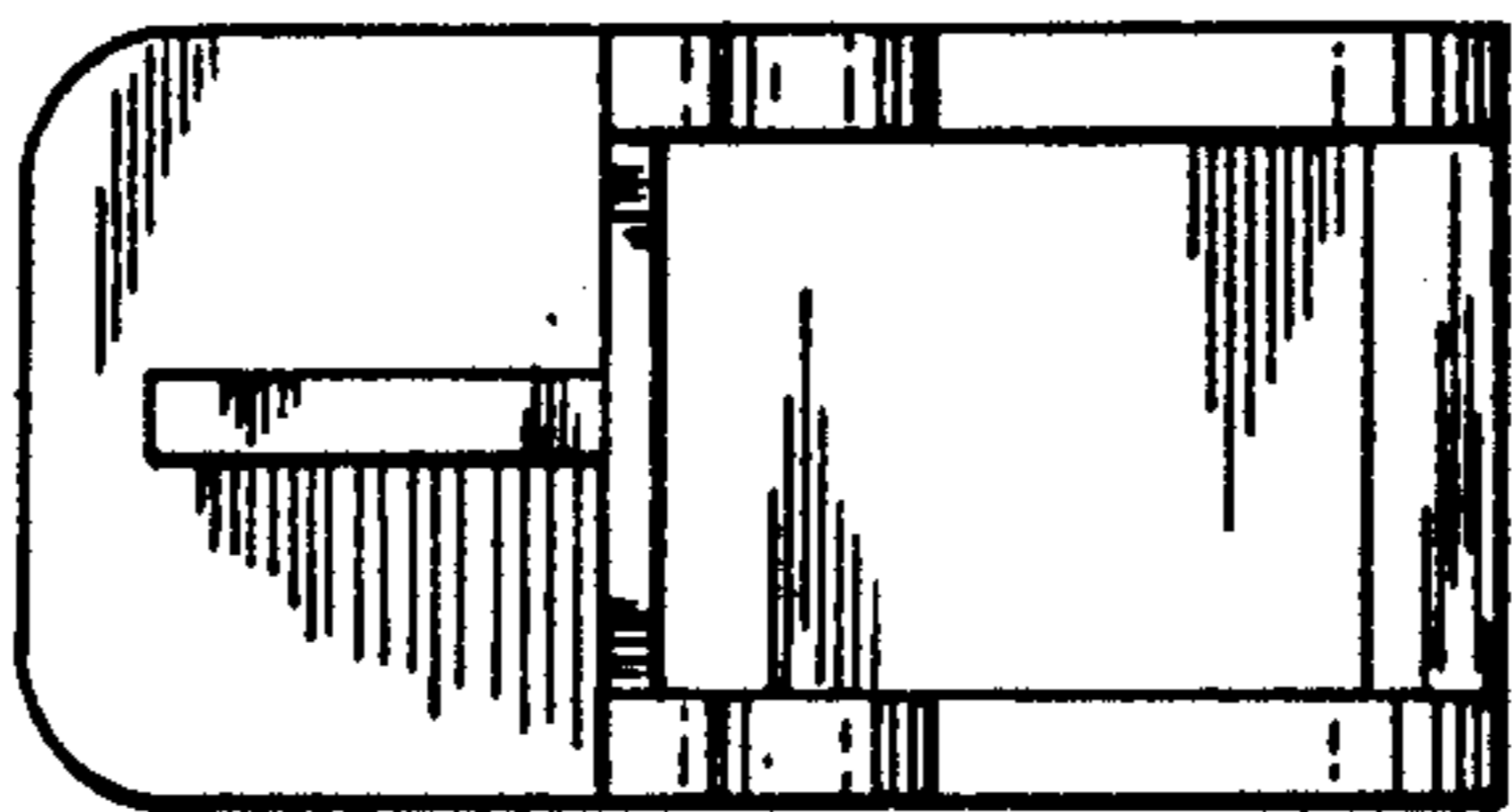


FIG. 7