



US00D337752S

United States Patent [19]
Mathews

[11] **Patent Number: Des. 337,752**
[45] **Date of Patent: ** Jul. 27, 1993**

[54] **HIGH TORQUE, LOW RPM
MOTOR/GENERATOR**

[76] **Inventor: Freddie Mathews, Rte. 1 Box 379,
Hempstead, Tex. 77445**

[**] **Term: 14 Years**

[21] **Appl. No.: 882,106**

[22] **Filed: May 14, 1992**

[52] **U.S. Cl. D13/112**

[58] **Field of Search D13/112, 114; 310/49 R,
310/185; 74/421 A**

[56] **References Cited**

U.S. PATENT DOCUMENTS

- D. 242,776 12/1976 Jakobsen D13/112 X
- D. 259,039 4/1981 Weldon et al. D13/114

Primary Examiner—Wallace R. Burke
Assistant Examiner—J. Sincavage
Attorney, Agent, or Firm—Terry M. Gernstein

[57] **CLAIM**

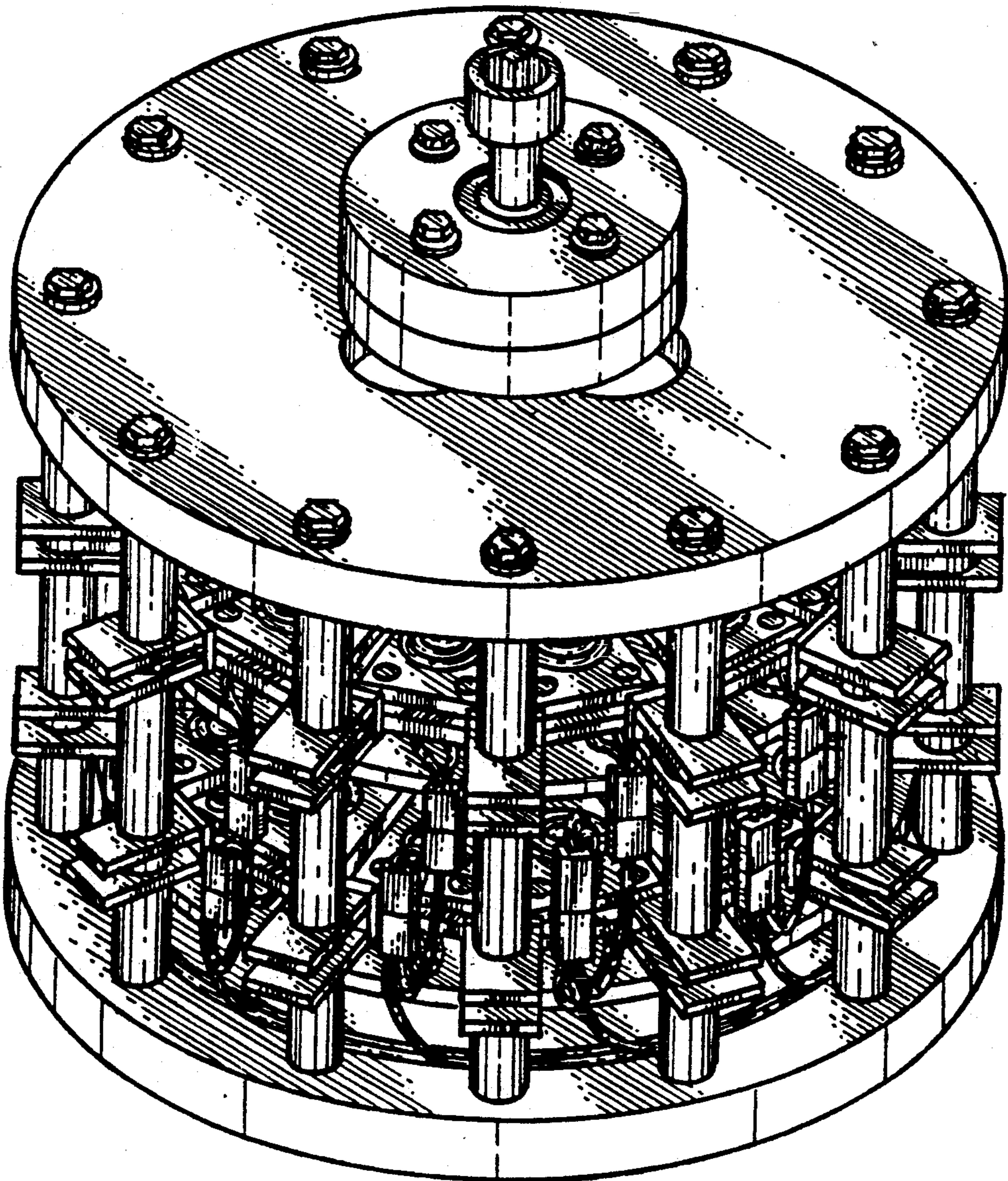
The ornamental design for a high torque, low rpm motor/generator, as shown and described.

DESCRIPTION

FIG. 1 is a perspective view of the high torque, low rpm motor/generator embodying the design of the present invention;

FIG. 2 is a typical elevational view thereof, all elevational views being identical to the view shown in FIG. 2;

FIG. 3 is a top plan view thereof; and,
FIG. 4 is a bottom view thereof.



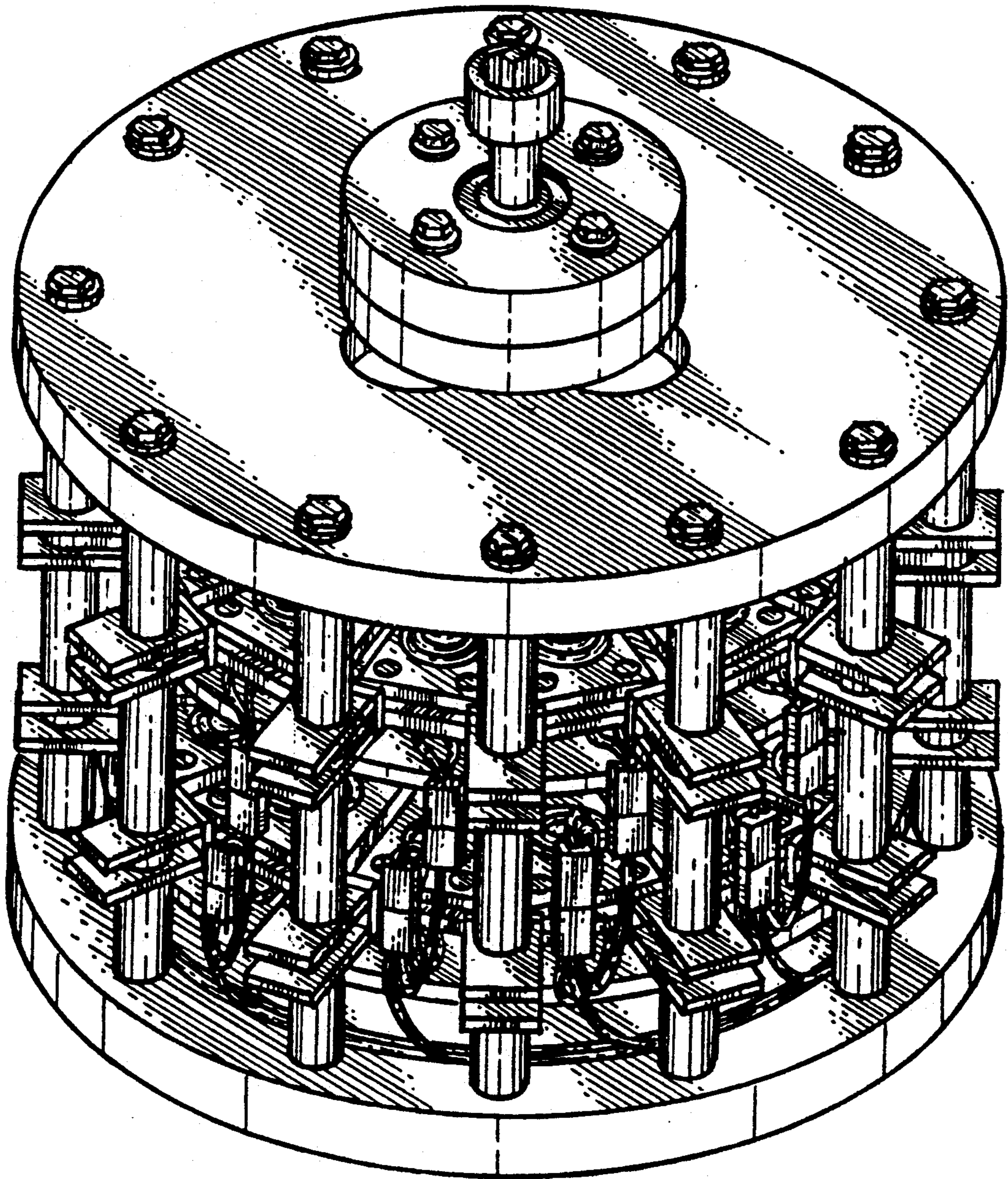


FIG. 1

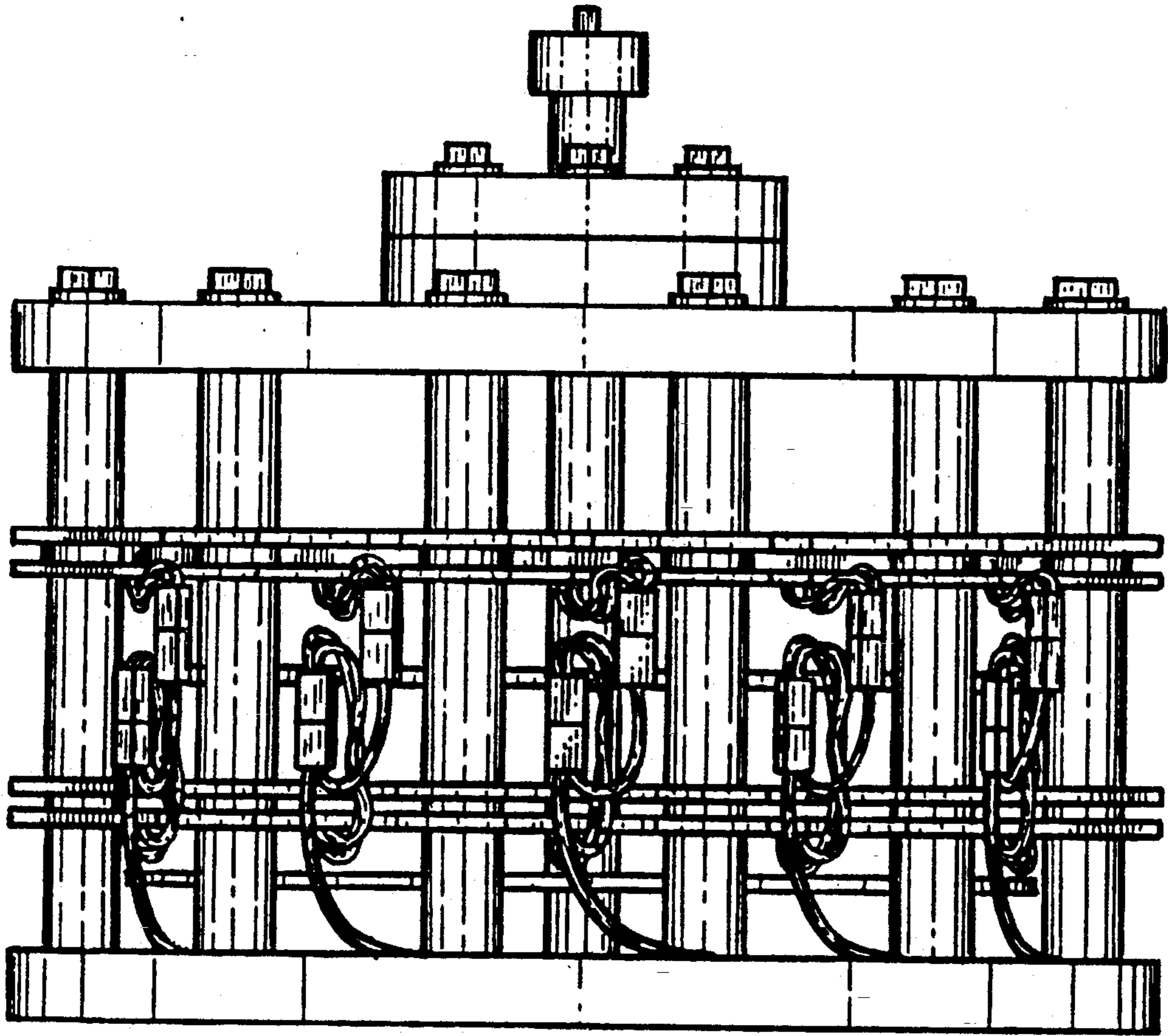


FIG. 2

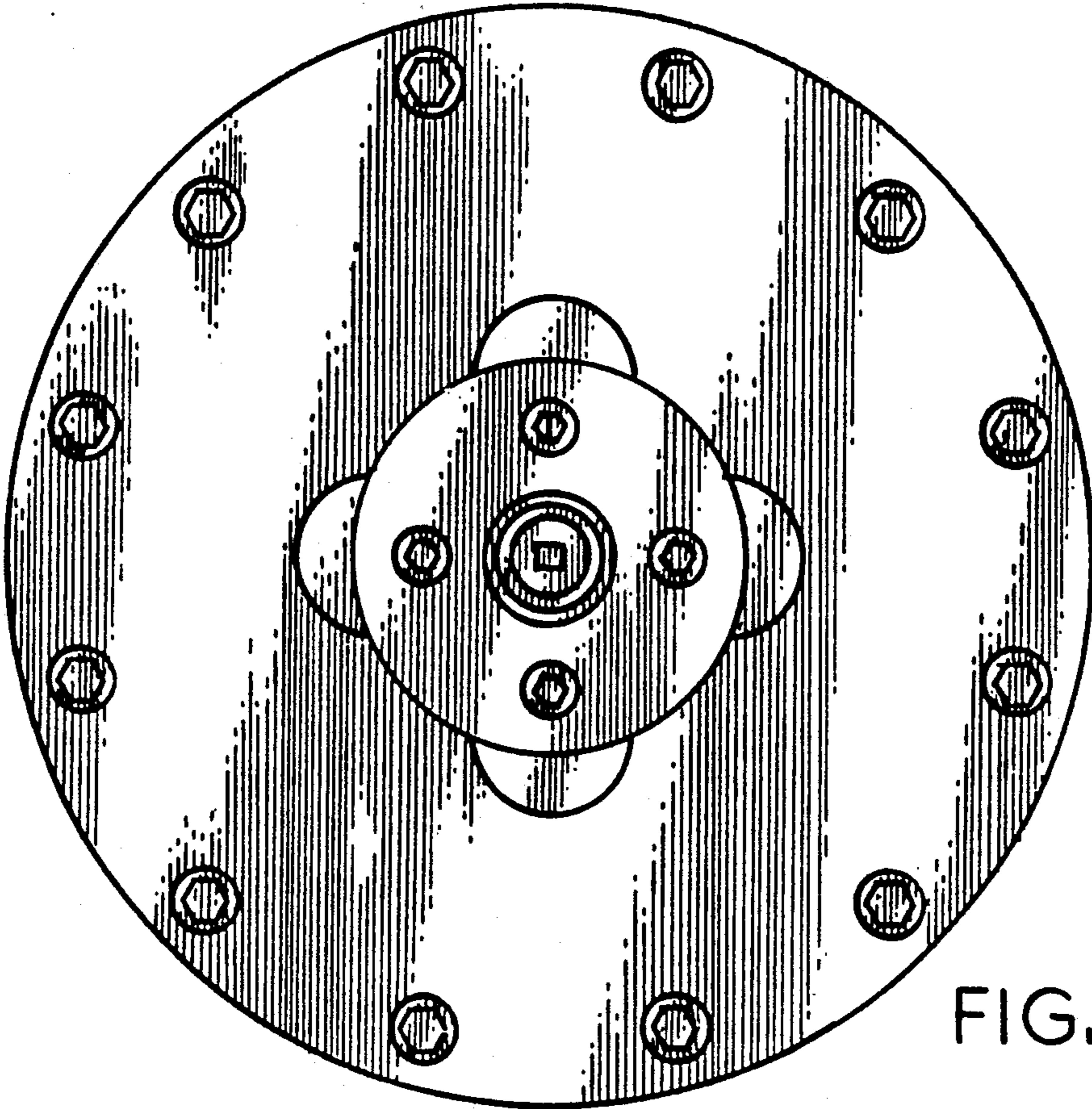


FIG. 3

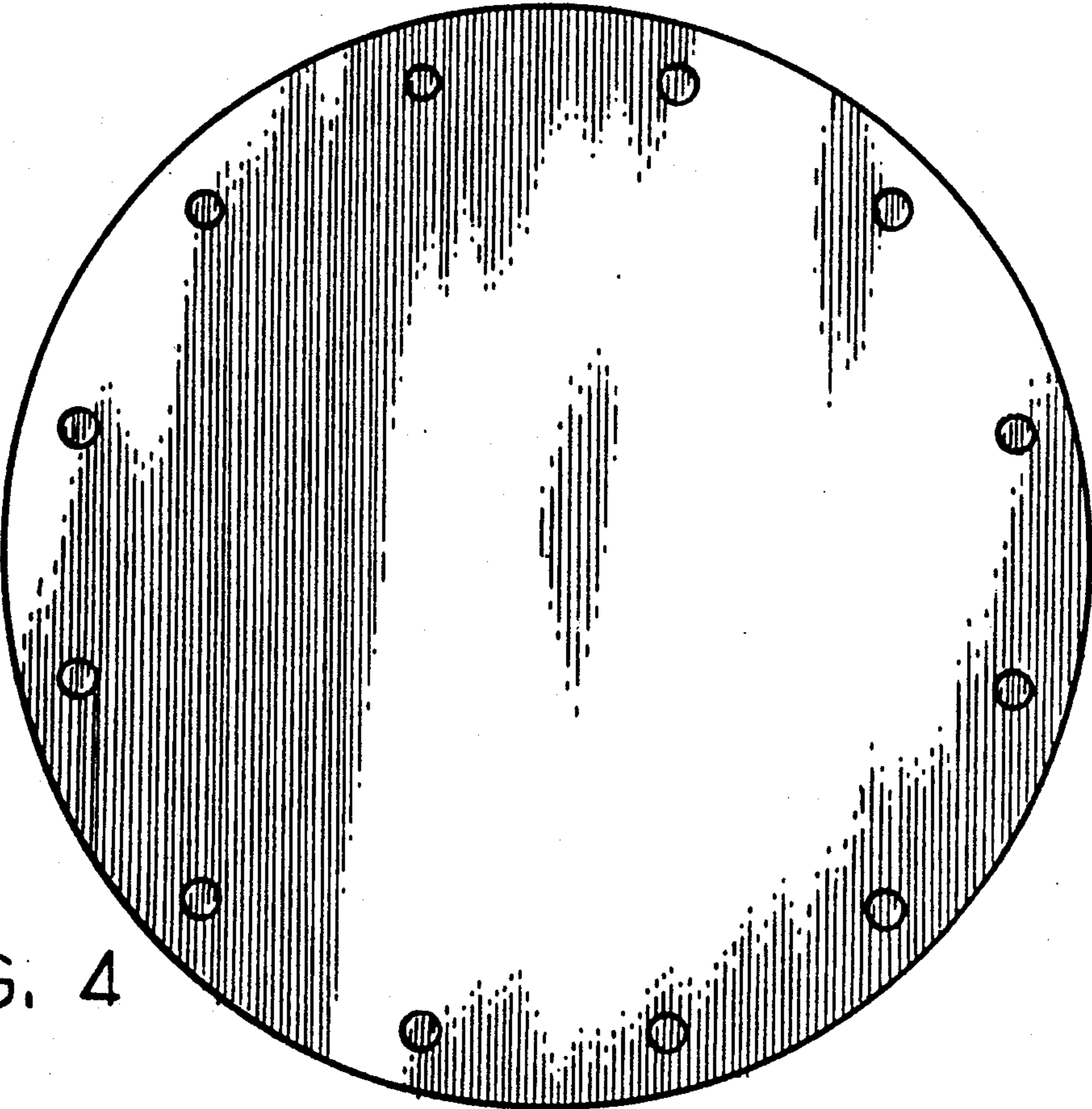


FIG. 4