



US00D337747S

United States Patent [19]

[11] Patent Number: **Des. 337,747**

Hinklin et al.

[45] Date of Patent: **** Jul. 27, 1993**

[54] **VEHICLE**

[75] Inventors: **Darrell W. Hinklin, Excelsior;
Gordon R. Schmidt, Eagan, both of
Minn.**

[73] Assignee: **The Toro Company, Minneapolis,
Minn.**

[**] Term: **14 Years**

[21] Appl. No.: **752,313**

[22] Filed: **Aug. 30, 1991**

[52] U.S. Cl. **D12/15**

[58] Field of Search **D12/15, 5, 14, 16, 85;
296/184; 180/22, 24.01, 24.11**

sion of Outboard Marine Corporation, cover and pp. 2, 4, 6, 8 and 9, Jun. 1989.

"E-Z-GO Turf Vehicles" brochure, part No. 80135-G1, published in Feb. 1987 by E-Z-GO Division of Textron, Inc., pp. 1 through 9.

"John Deere AMT Transports" brochure, part No. DKA84, published in Nov. 1988 by John Deere.

"Kawasaki Mule 2010/1000" brochure, part No. 99969-2106, copyright to Kawasaki Motors Corporation in 1990.

"Daihatsu HIJET" specification sheet, published on Nov. 1, 1990 by Daihatsu America, Inc.

Primary Examiner—Wallace R. Burke

Assistant Examiner—Melody Brown

Attorney, Agent, or Firm—Donald S. Trevarthen

[57] CLAIM

The ornamental design for a vehicle, as shown and described.

[56] References Cited

U.S. PATENT DOCUMENTS

D. 227,244	6/1973	Heene	D12/16
D. 269,077	5/1983	Horton	D12/1
D. 282,153	1/1986	Wallace et al.	D12/14
D. 292,899	11/1987	Samuelson et al.	D12/15
D. 310,342	9/1990	Formoss	D12/14
D. 311,505	10/1990	Reinhart	D12/14

OTHER PUBLICATIONS

Cushman, "Turf-Care Vehicles and Accessories" brochure, part No. E4190910, copyright to Cushman Divi-

DESCRIPTION

FIG. 1 is a front perspective view of a vehicle showing our new design;

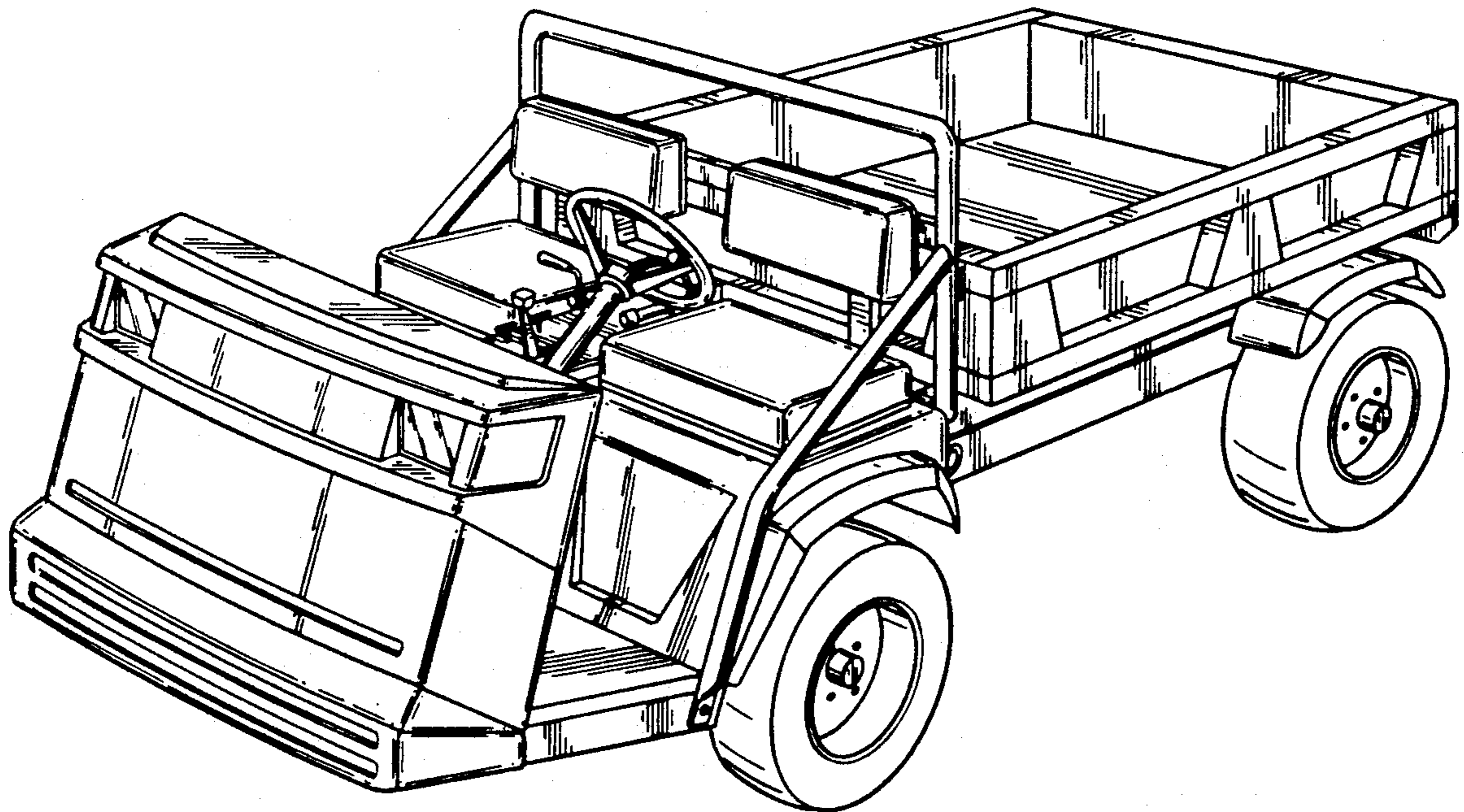
FIG. 2 is a side elevational view thereof;

FIG. 3 is a top plan view thereof;

FIG. 4 is a front elevational view thereof; and,

FIG. 5 is a rear elevational view thereof.

The broken lines shown in FIGS. 2, 4 and 5 are for illustrative purposes only and form no part of the claimed design.



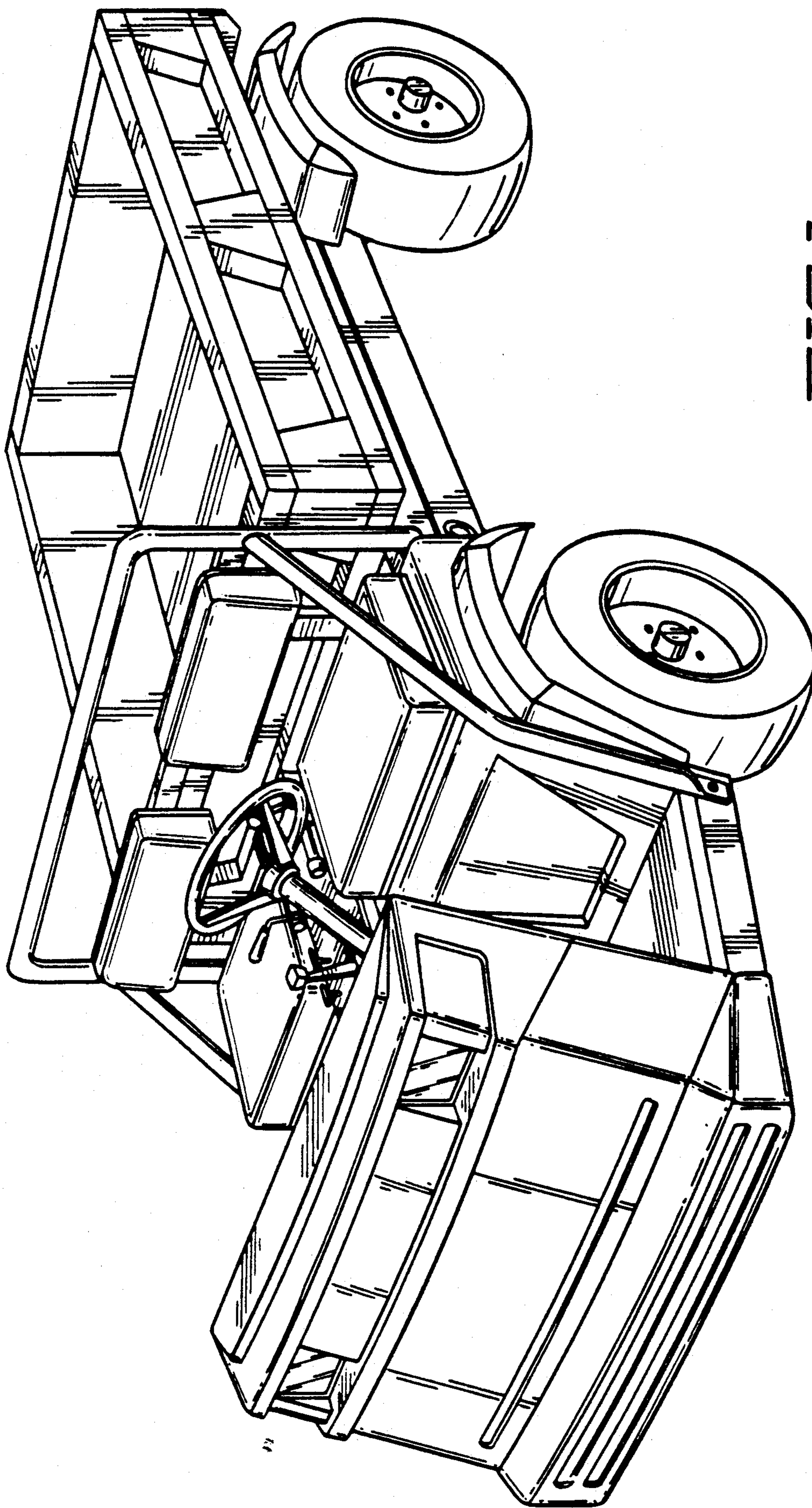


FIG. 1

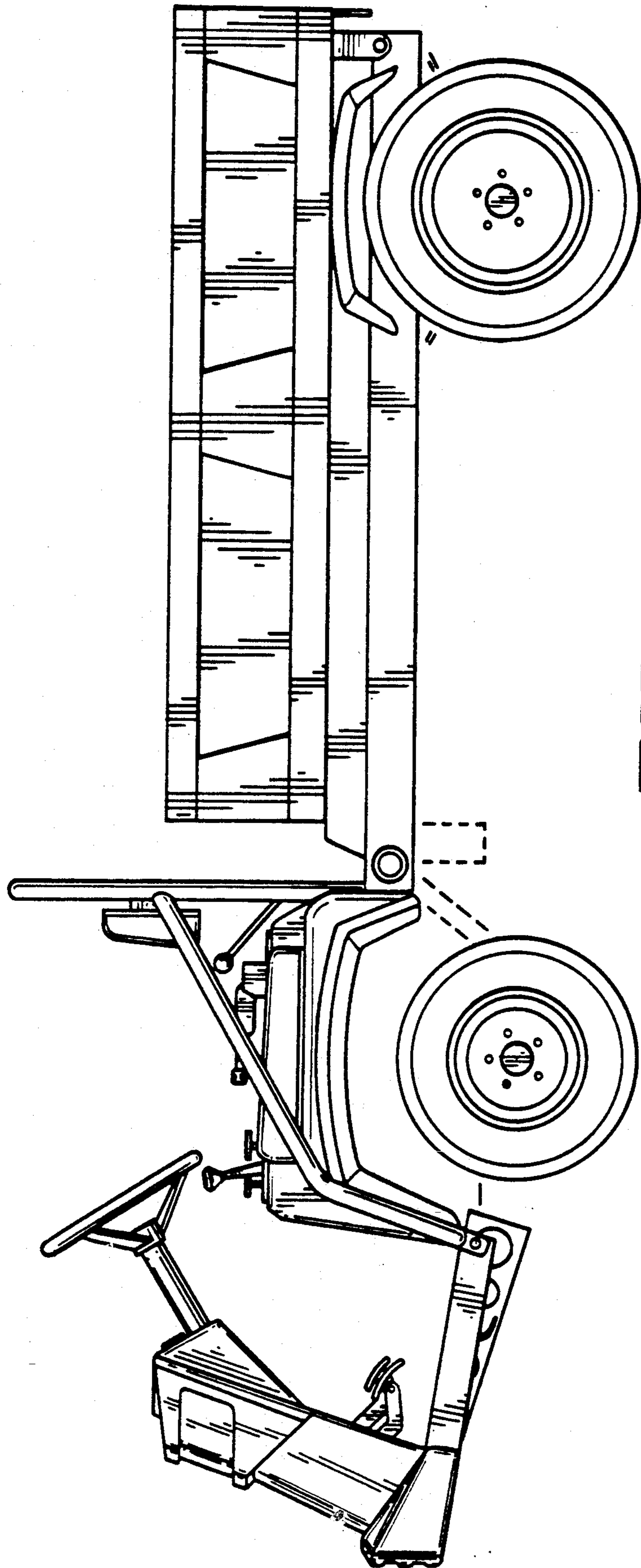


FIG. 2

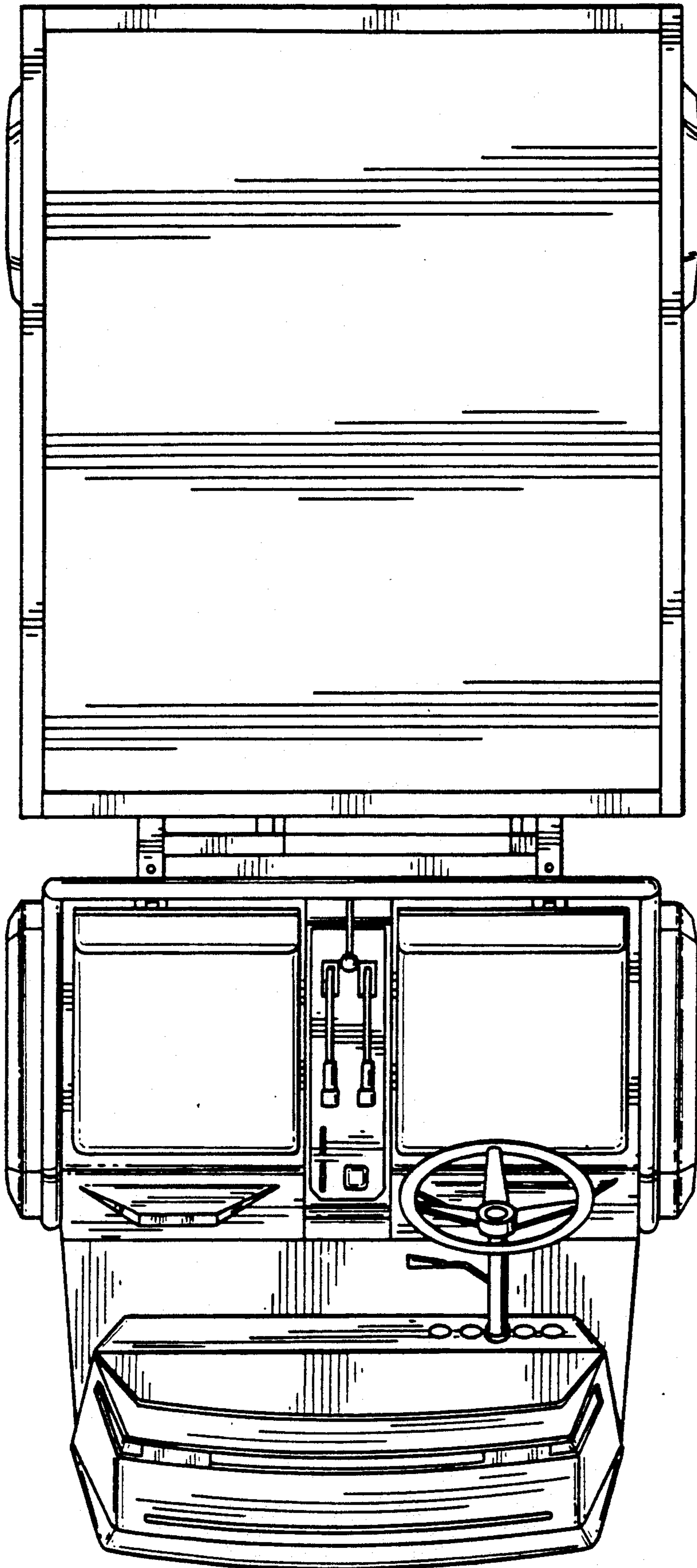


FIG. 3

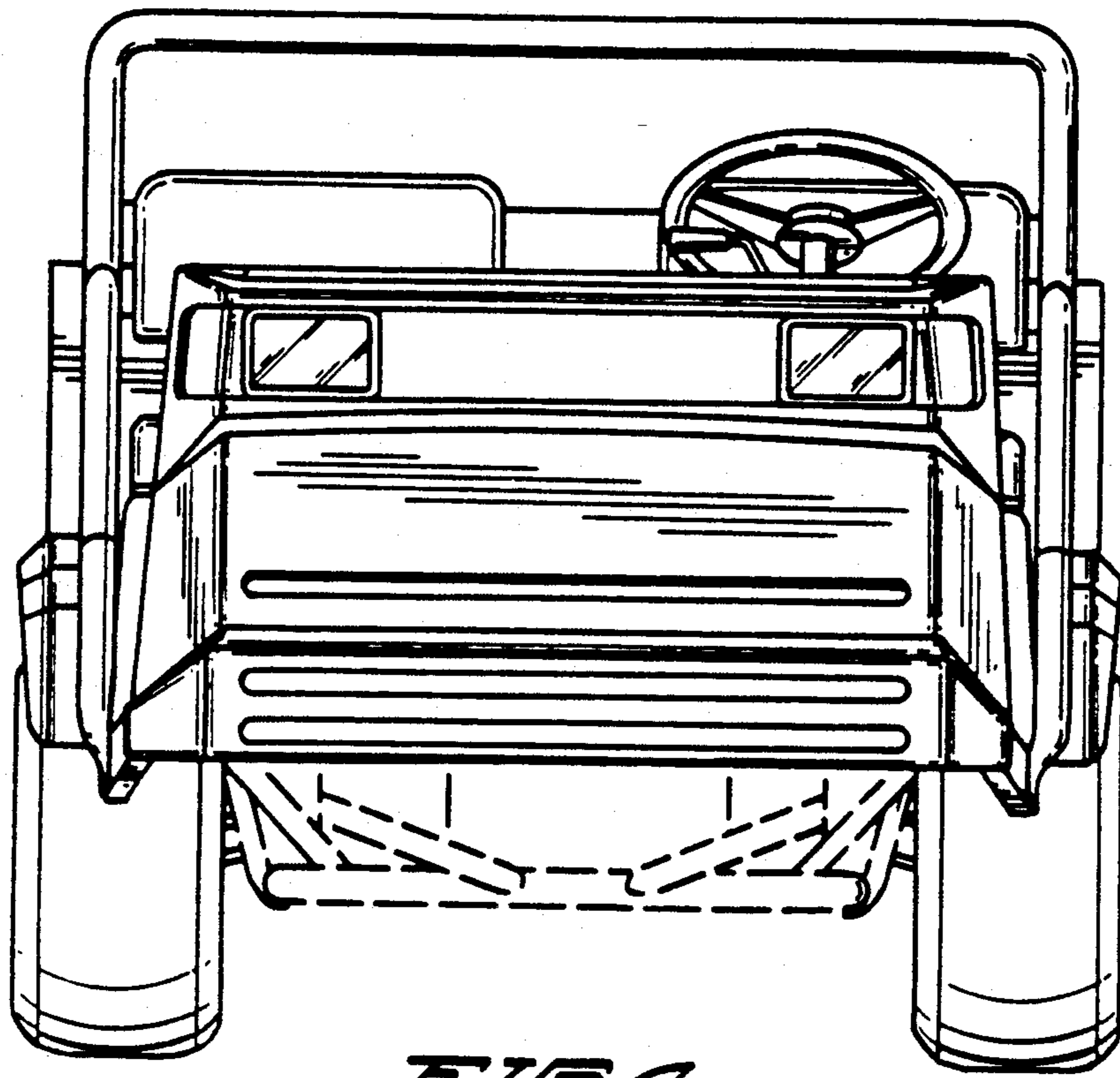


FIG. 4

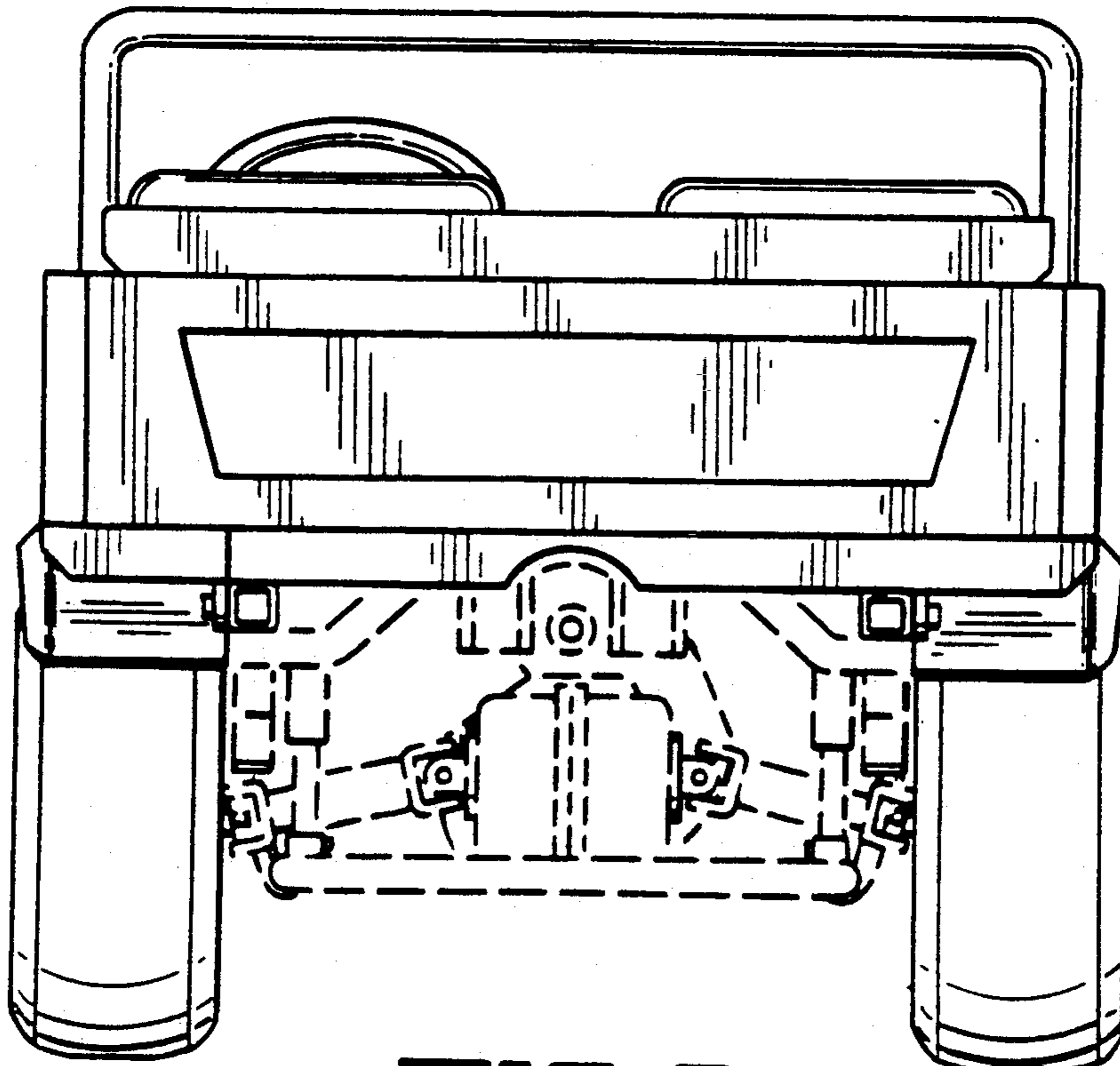


FIG. 5