



US00D337732S

United States Patent [19]

[11] Patent Number: **Des. 337,732**

Carmack

[45] Date of Patent: **** Jul. 27, 1993**

[54] **WARNING SIGNAL FOR TRACTOR TRAILER SKIRTS**

2,130,260	9/1938	Brandes	D10/117
2,141,844	12/1938	Reznor	D10/117
2,143,997	1/1939	Parkinson	D10/117
2,452,161	10/1948	Squires	D10/117

[76] Inventor: **Roscoe H. Carmack**, Apt. 16, Liberty Green Apartments, Liberty, Ind. 47353

Primary Examiner—Wallace R. Burke
Assistant Examiner—Marcus Jackson
Attorney, Agent, or Firm—Leon Gilden

[**] Term: **14 Years**

[57] **CLAIM**

[21] Appl. No.: **518,876**

The ornamental design for a warning signal for tractor trailer skirts, as shown and described.

[22] Filed: **May 4, 1990**

DESCRIPTION

[52] U.S. Cl. **D10/104; D10/117**

[58] Field of Search **D10/104, 106, 110, 117; 116/28 R, 28.1, 35 R, 36, 52, 62.3, 62.4, 28 A; 340/436, 922.2, 932.2**

FIG. 1 is a front elevational view of the warning signal for tractor trailer skirts showing my new design; FIG. 2 is a rear elevational view thereof; FIG. 3 is a left side elevational view thereof; FIG. 4 is a right side elevational view thereof; FIG. 5 is a top plan view thereof; FIG. 6 is a bottom plan view thereof; and, FIG. 7 is a perspective view thereof.

[56] **References Cited**

U.S. PATENT DOCUMENTS

D. 309,111	7/1990	Joseffy	D10/117
1,784,466	12/1930	Rensonnet	D10/110

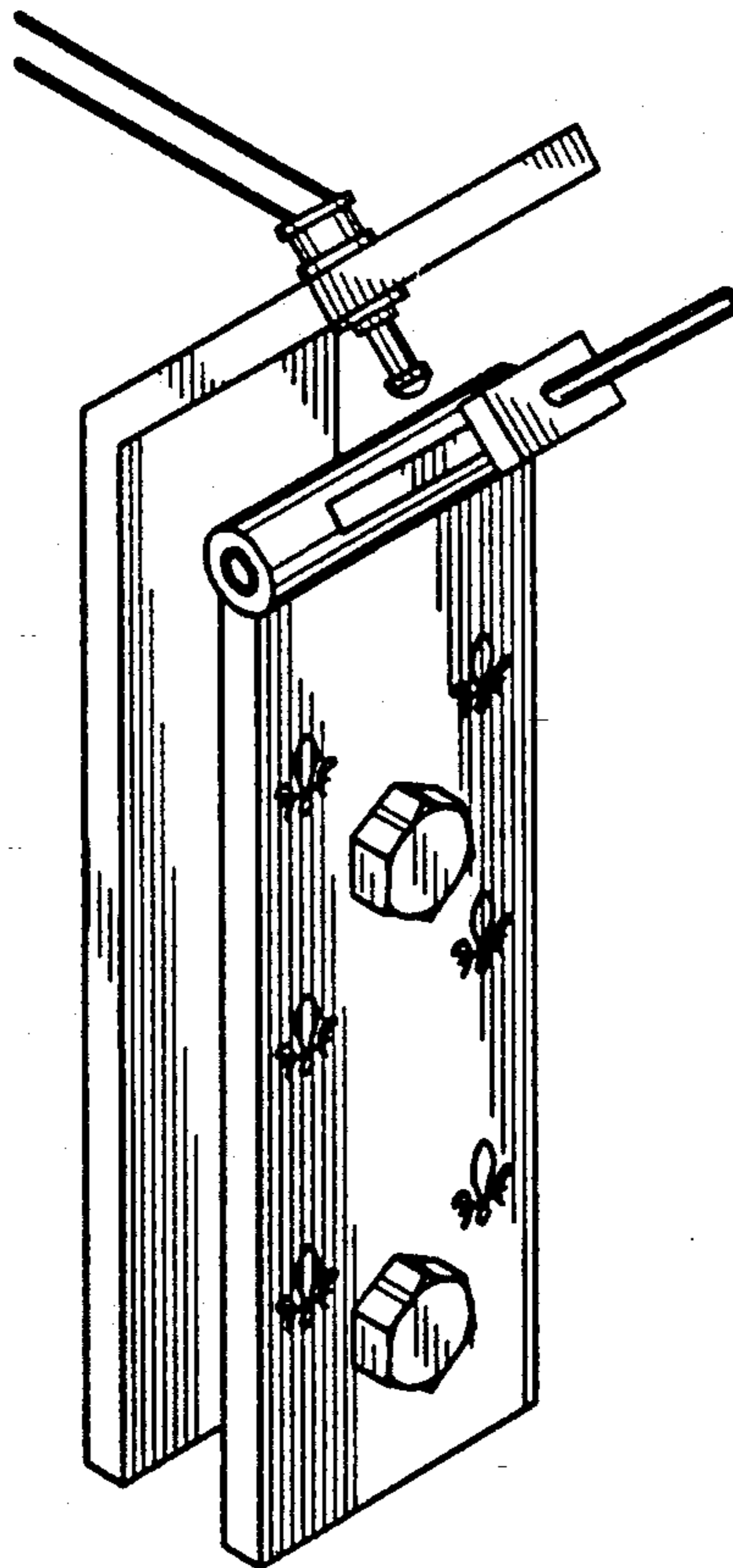


FIG. 1

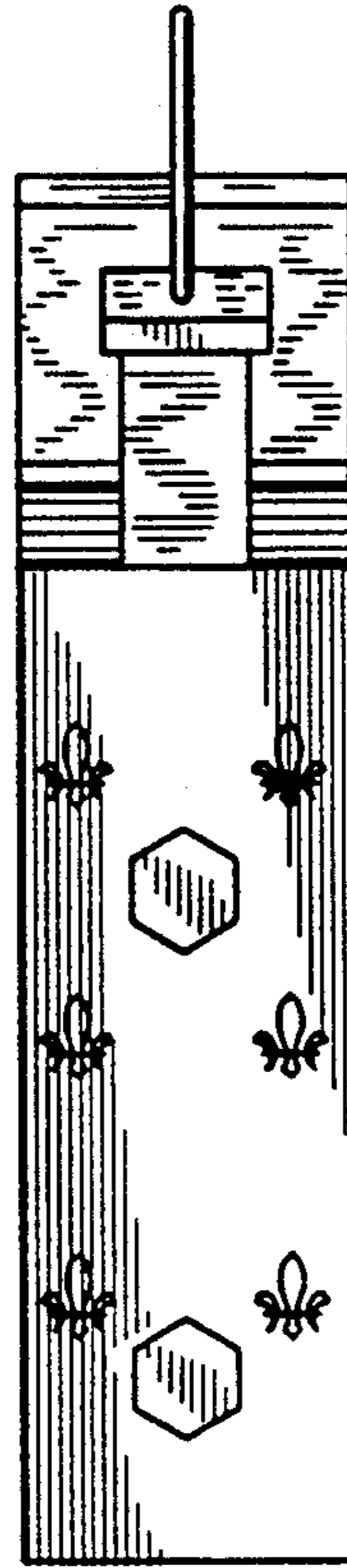


FIG. 2

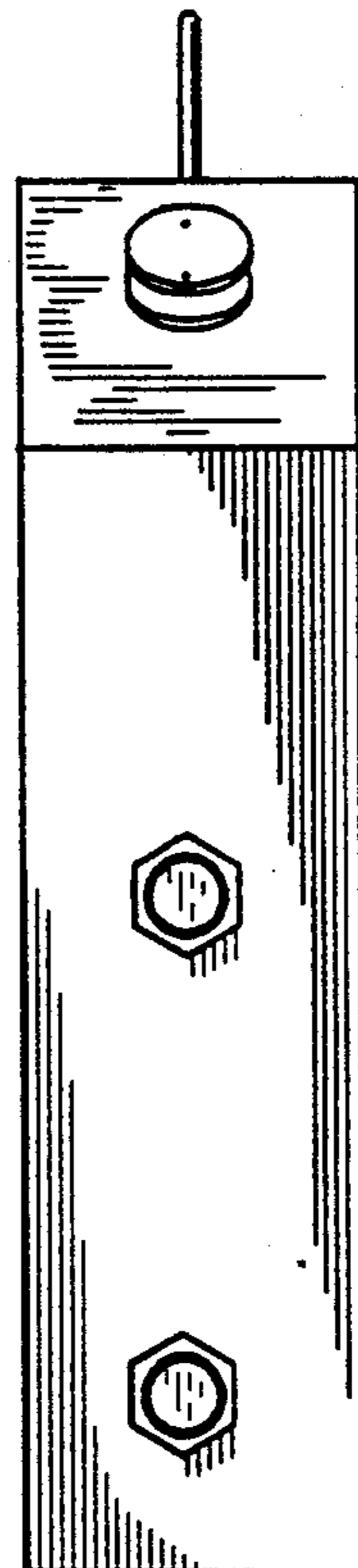


FIG. 3

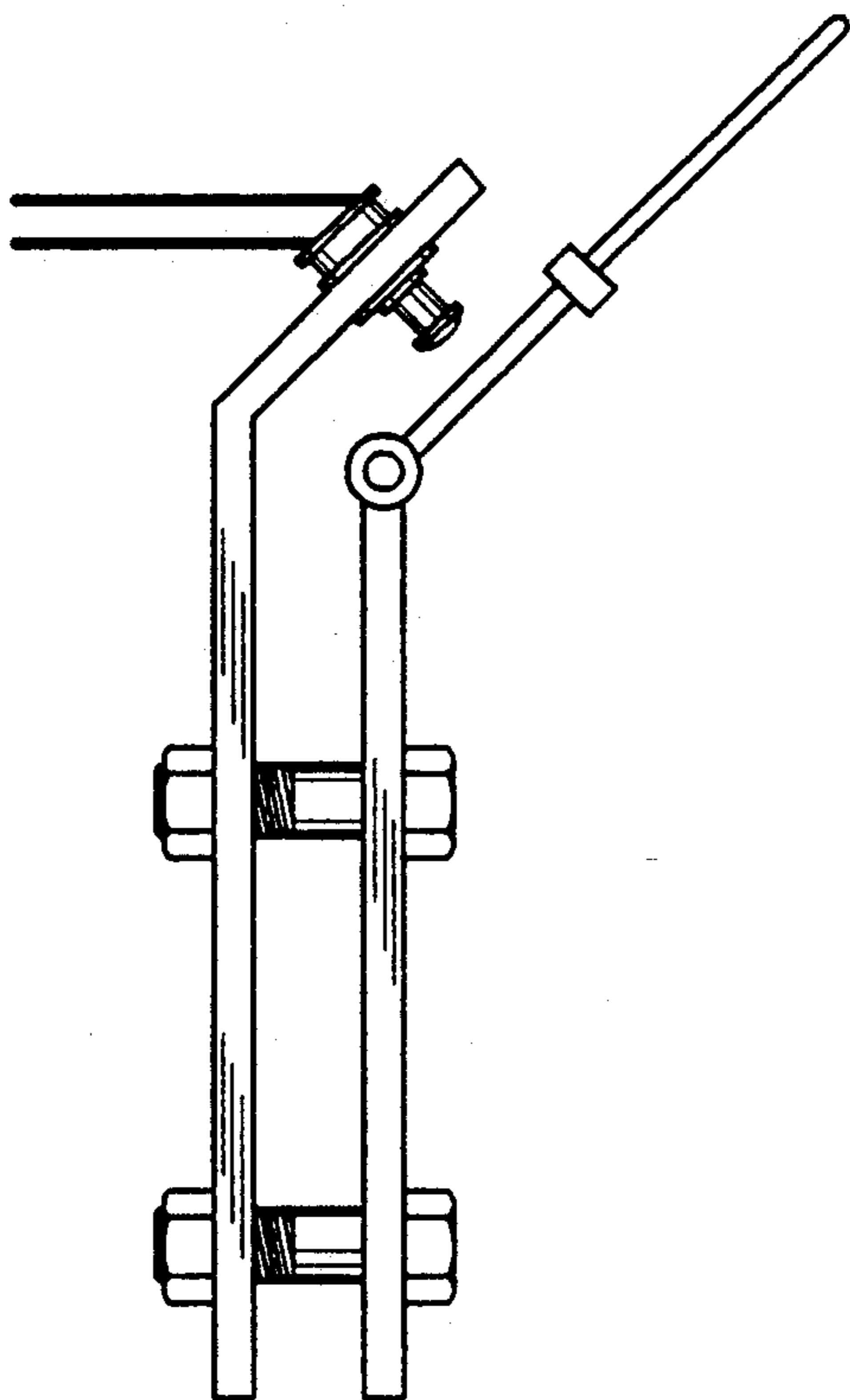


FIG. 4

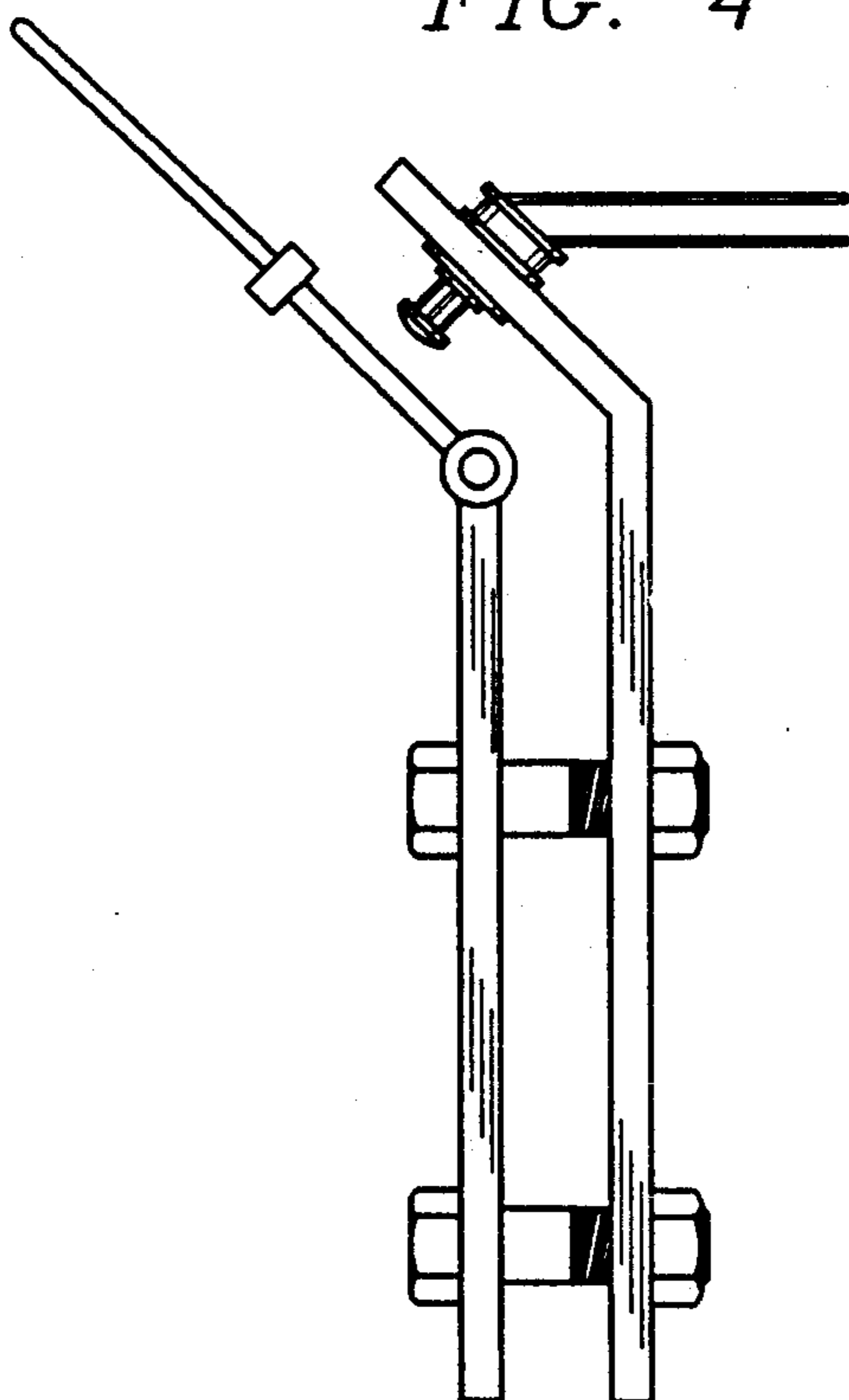


FIG. 5

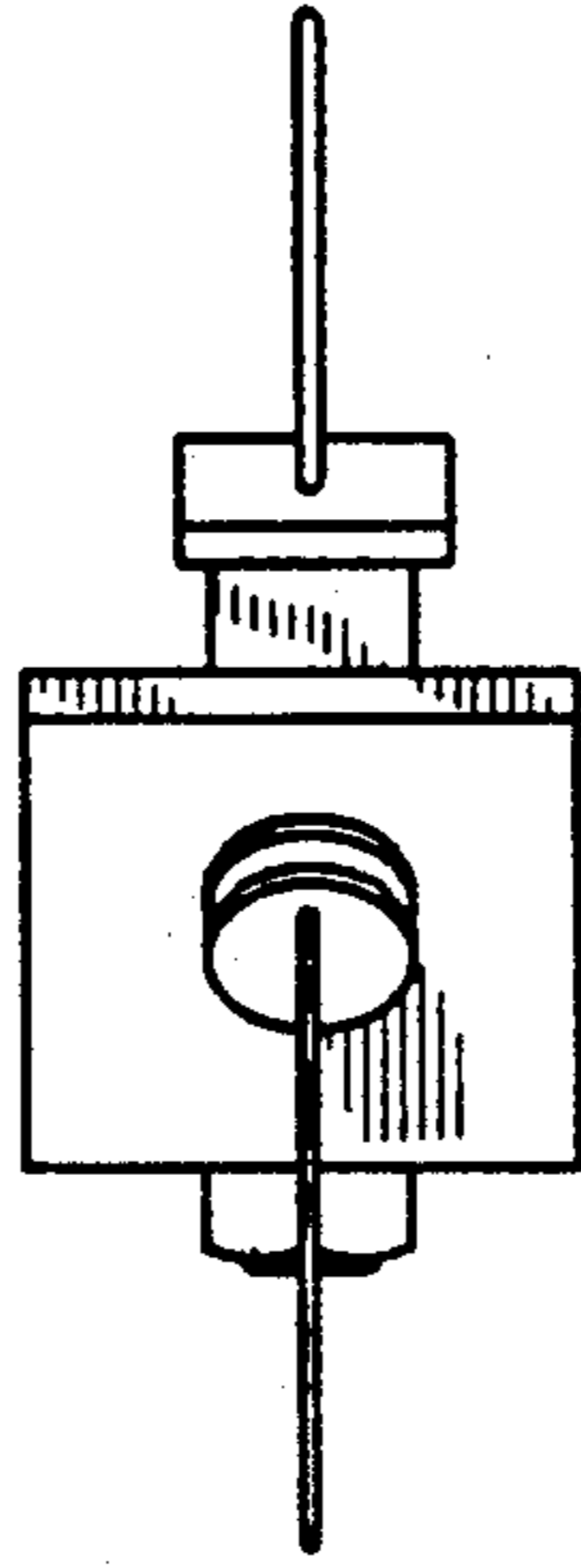


FIG. 6

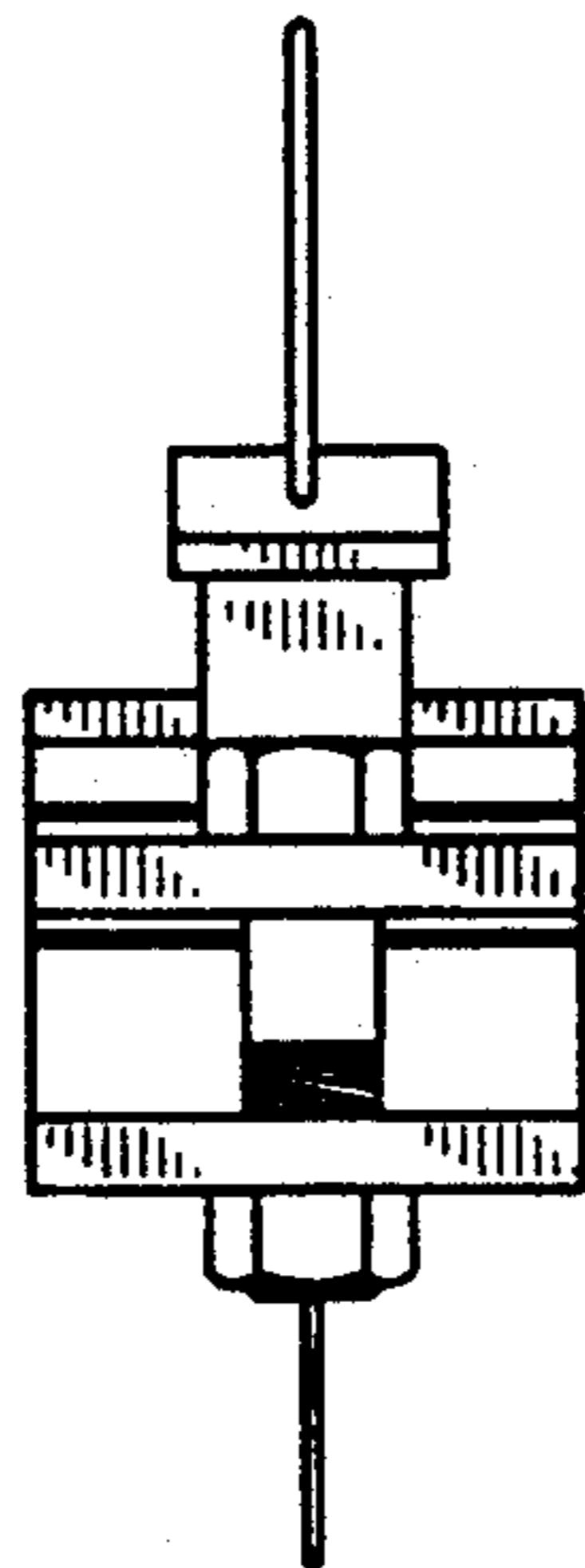


FIG. 7

