



US00D337730S

# United States Patent [19]

Rosenfeld

[11] Patent Number: **Des. 337,730**

[45] Date of Patent: **\*\* Jul. 27, 1993**

[54] SPARE TIRE AIR PRESSURE MONITOR

[76] Inventor: Alan I. Rosenfeld, 229 Rte. 303, Tappan, N.Y. 10983

[\*\*] Term: 14 Years

[21] Appl. No.: 812,963

[22] Filed: Dec. 26, 1991

[52] U.S. Cl. .... D10/86

[58] Field of Search ..... D10/85, 86; 73/146, 73/146.2, 146.3, 146.4, 146.5, 146.6, 146.8

[56] **References Cited**

**U.S. PATENT DOCUMENTS**

4,112,777	8/1978	Knepler .....	73/728
4,723,445	2/1988	Ripley et al. ....	73/146.3
4,724,880	2/1988	Voornas .	
5,009,310	4/1991	Finney .	

5,109,213 4/1992 Williams ..... 73/146.5 X

*Primary Examiner*—Alan P. Douglas

*Assistant Examiner*—A. D. Davis

*Attorney, Agent, or Firm*—Terry M. Gernstein

[57] **CLAIM**

The ornamental design for a spare tire air pressure monitor, as shown and described.

**DESCRIPTION**

FIG. 1 is a perspective view of the spare tire air pressure monitor embodying the design of the present invention;

FIG. 2 is a front elevational view thereof;

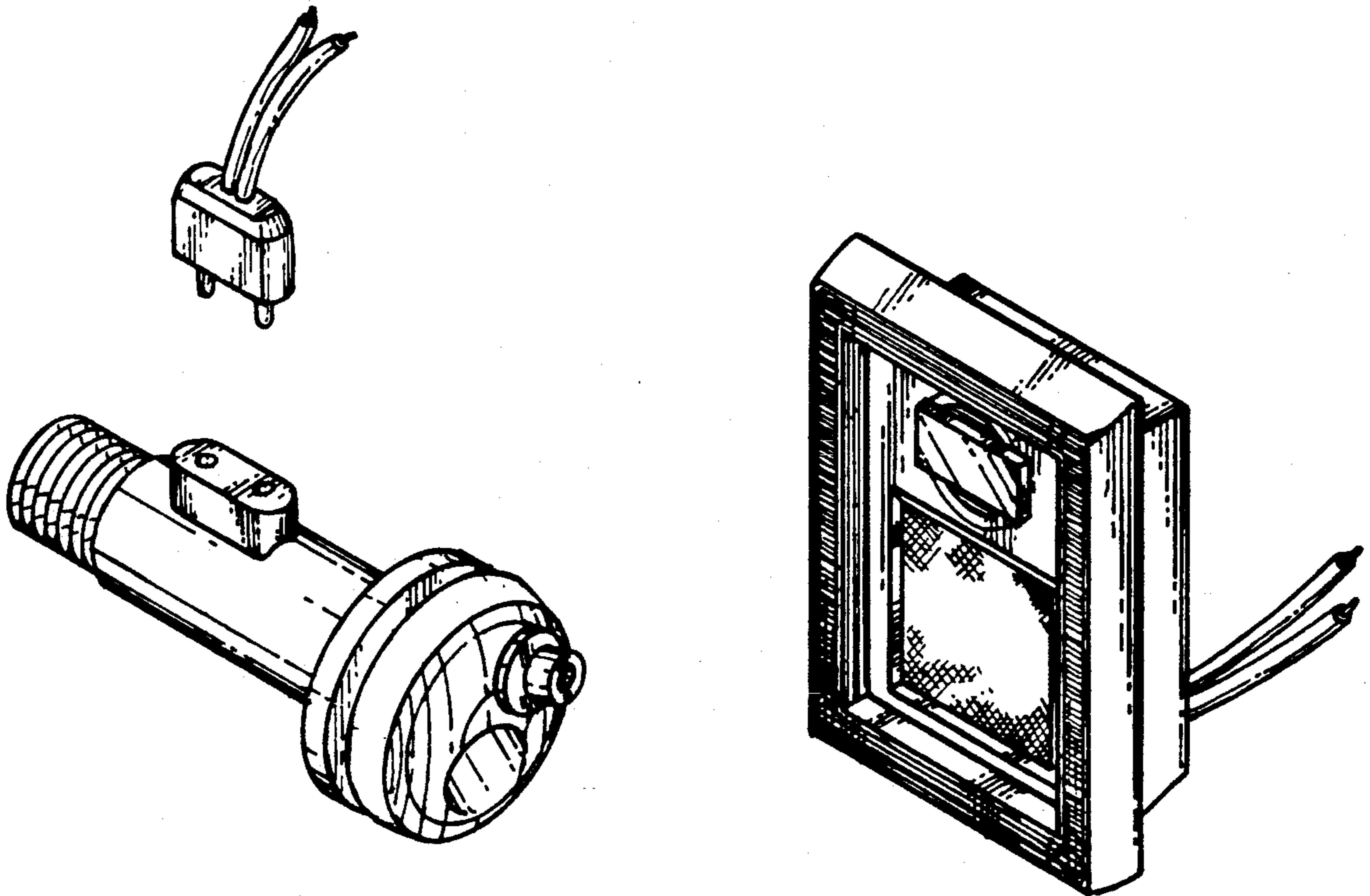
FIG. 3 is a rear elevational view thereof;

FIG. 4 is a side elevational view thereof;

FIG. 5 is a side elevational view thereof;

FIG. 6 is a top plan view thereof; and,

FIG. 7 is a bottom view thereof.



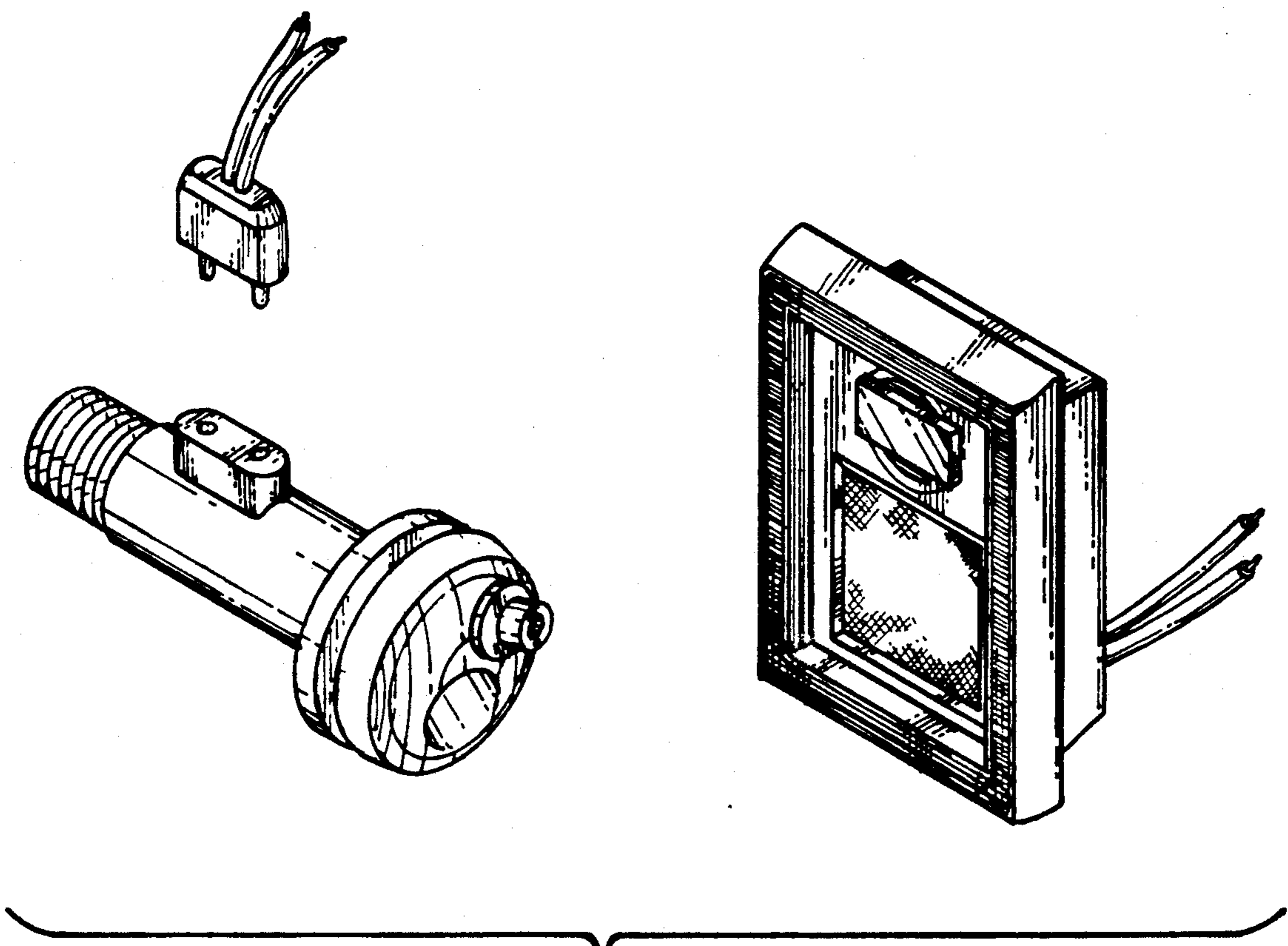


FIG. 1

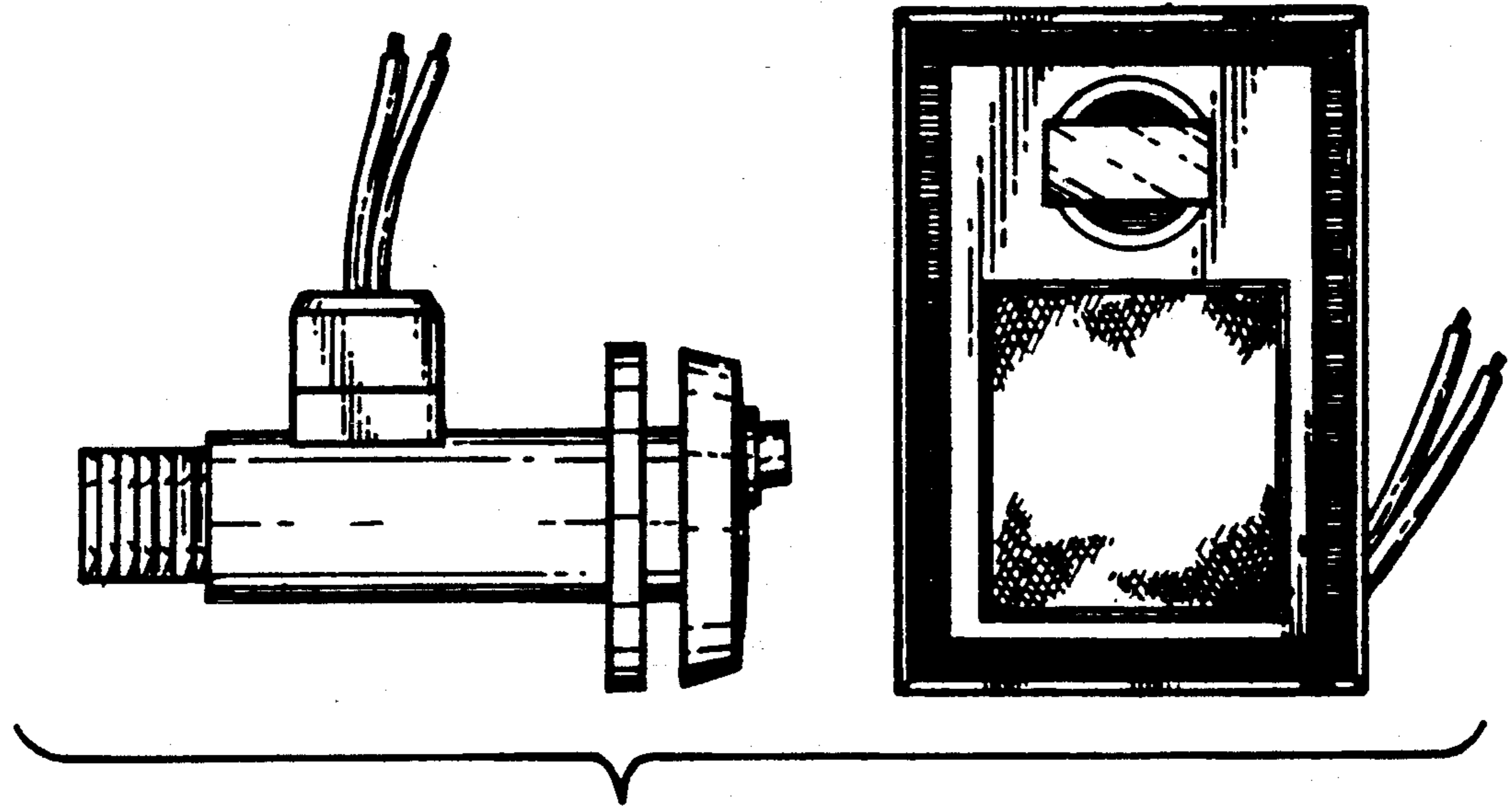


FIG. 2

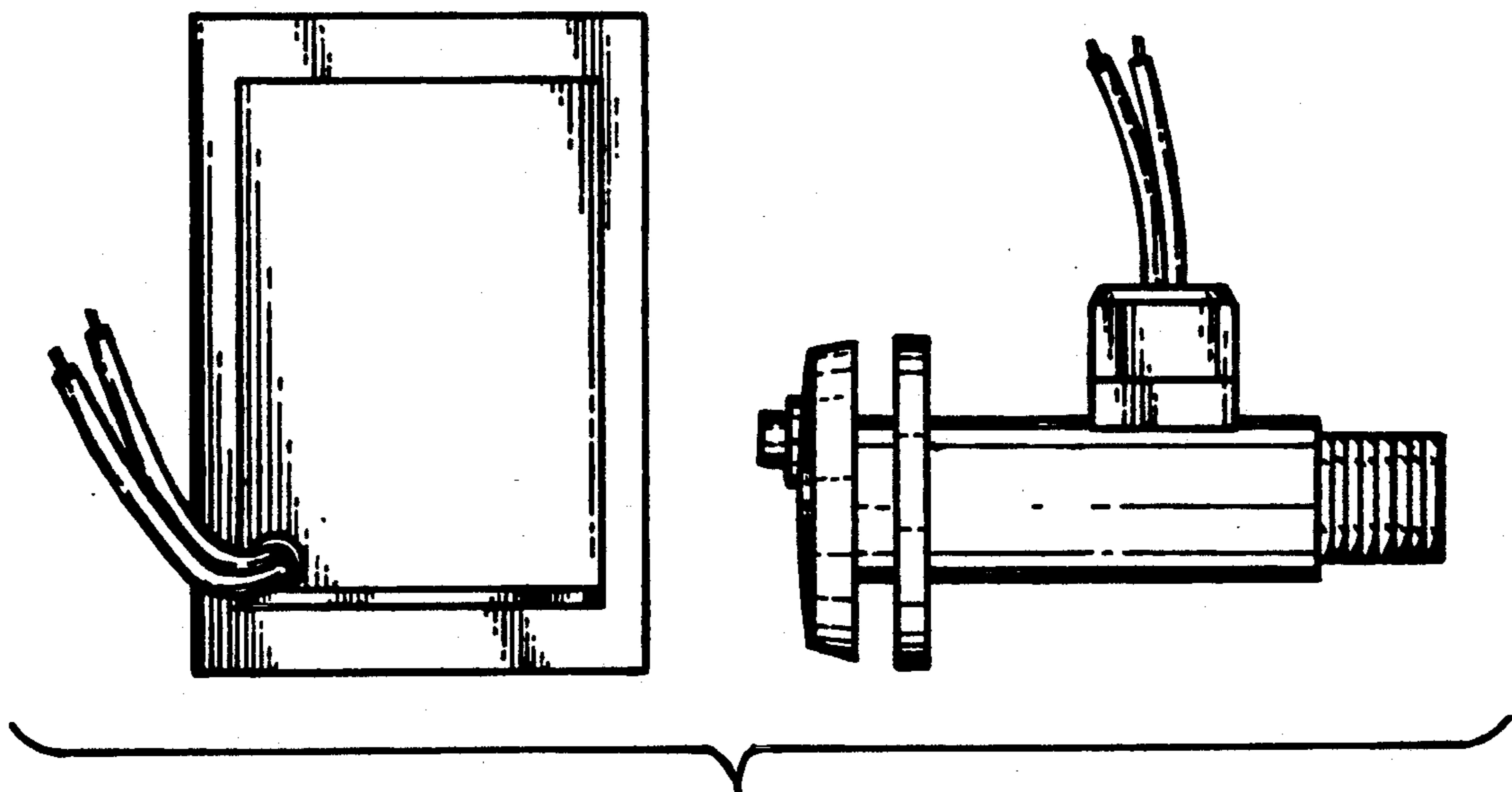


FIG. 3

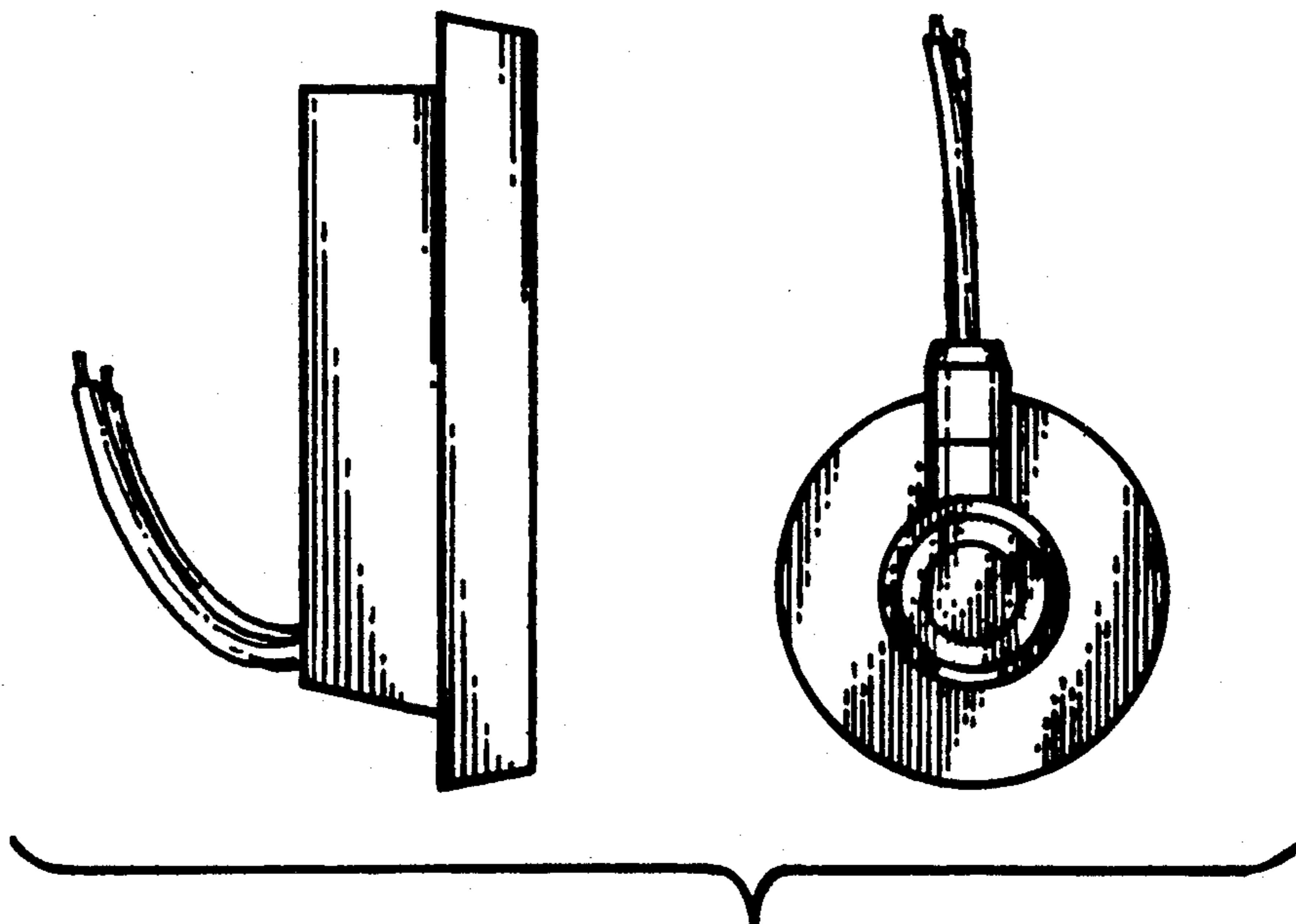


FIG. 4

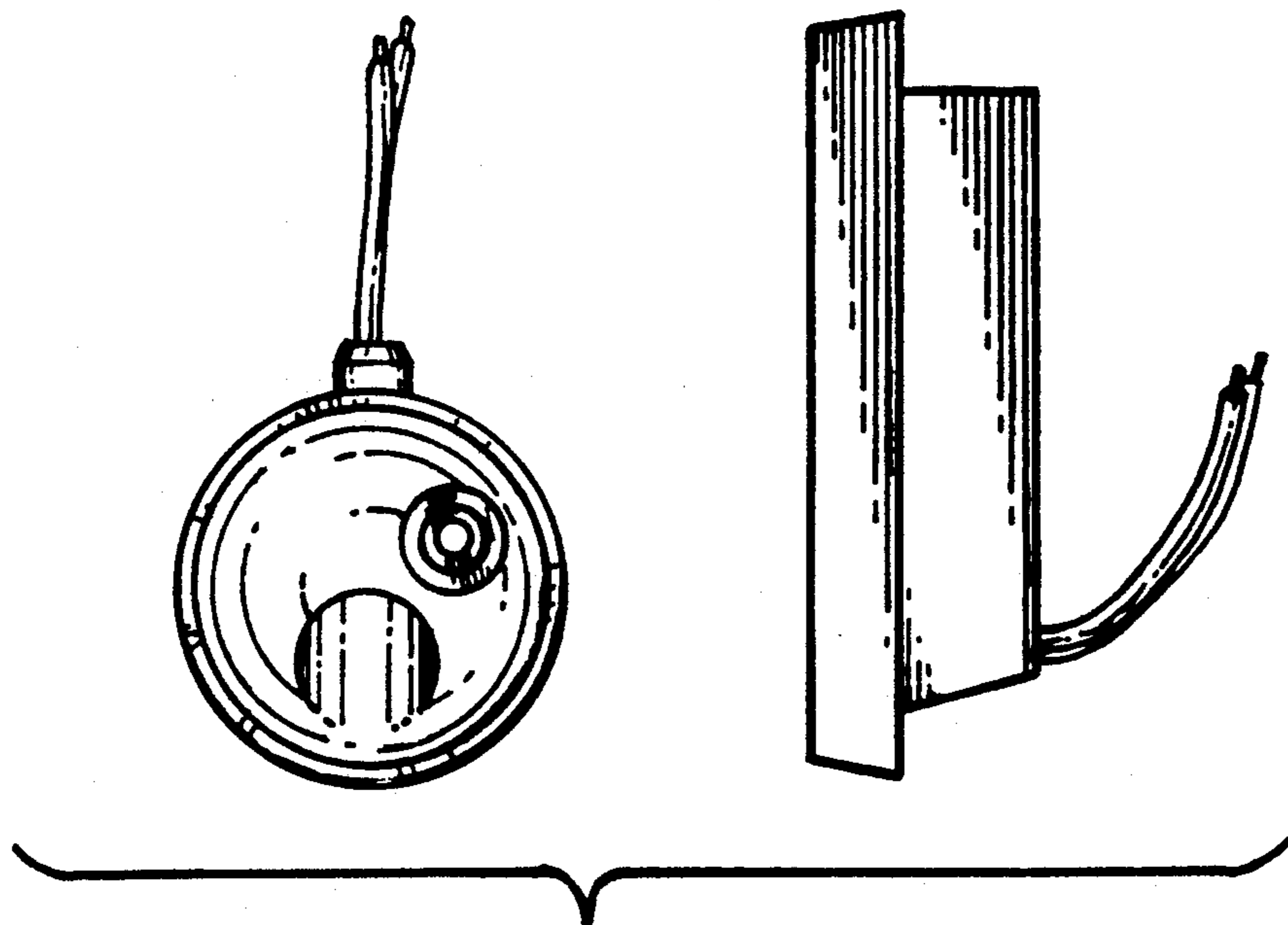


FIG. 5

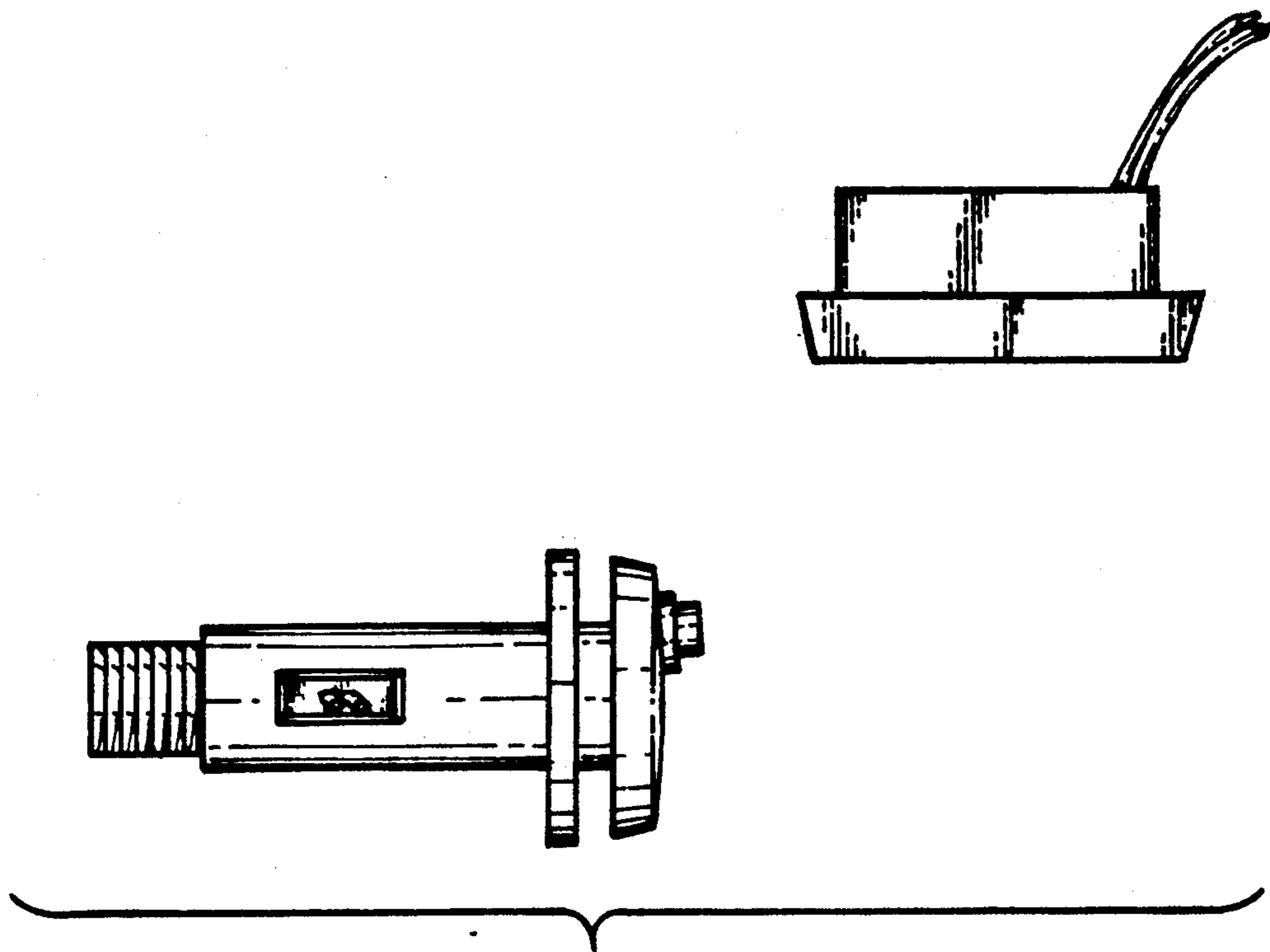


FIG. 6

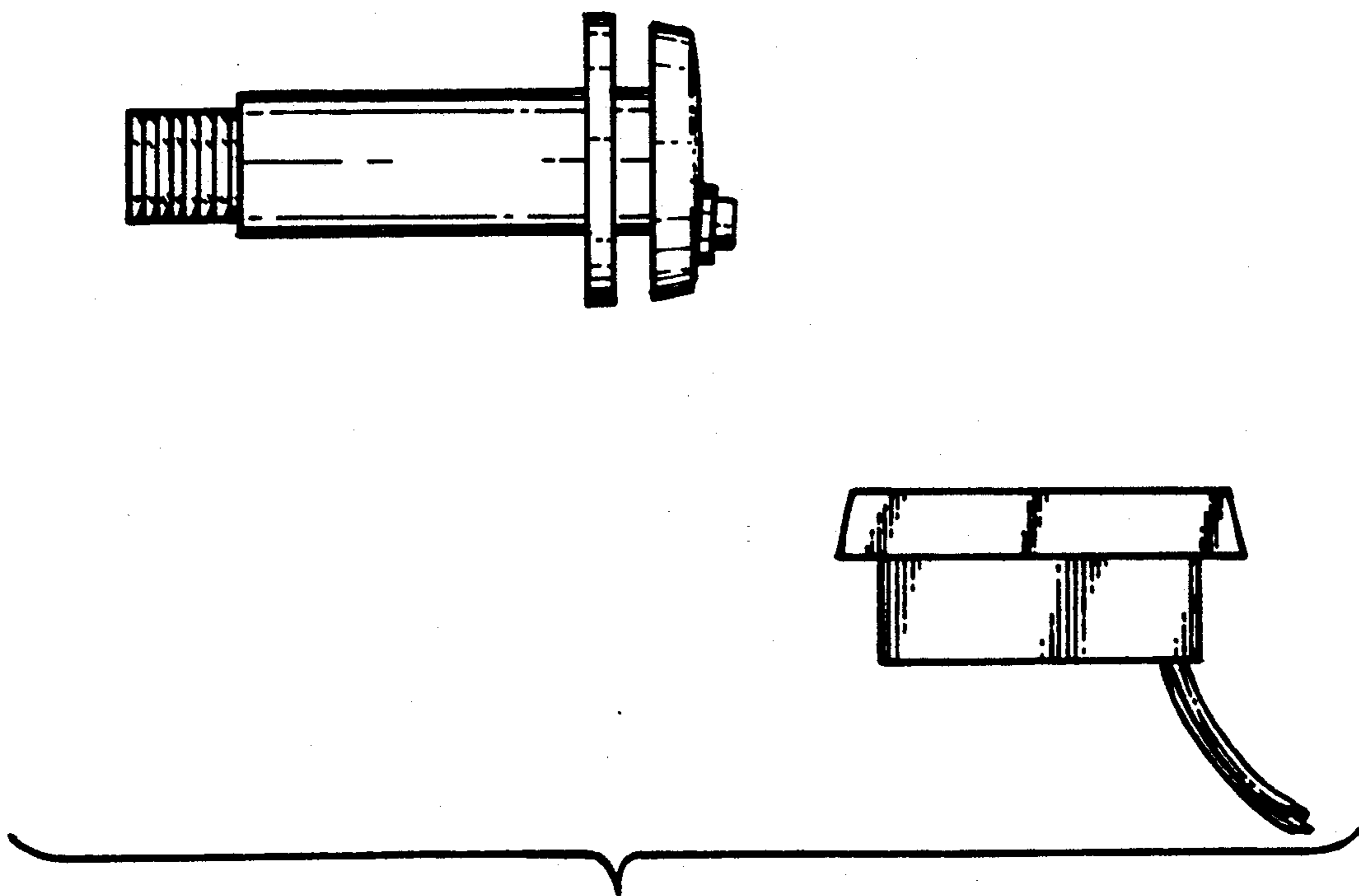


FIG. 7