



US00D337719S

# United States Patent [19]

[11] Patent Number: **Des. 337,719**

Burns

[45] Date of Patent: **\*\* Jul. 27, 1993**

## [54] APPLIANCE MOUNTING STAND

[76] Inventor: **Don Burns, 26884 Calle Alcala, Mission Viejo, Calif. 92691**

[\*\*] Term: **14 Years**

[21] Appl. No.: **771,921**

[22] Filed: **Oct. 4, 1991**

[52] U.S. Cl. .... **D8/363; D6/567**

[58] Field of Search ..... **D6/512-514, D6/553, 567, 574; D8/349, 354-355, 363, 380-381; 248/670, 220.2, 235, 241, 274, 284, 281.1, 291, 310; 211/96, 100**

## [56] References Cited

### U.S. PATENT DOCUMENTS

- D. 196,439 10/1963 Wann ..... D8/363
- D. 206,384 12/1966 Lindenmuth ..... D8/363 X
- D. 320,928 10/1991 Boscacci et al. .... D8/363
- 4,659,047 4/1987 Haller ..... 248/310 X

*Primary Examiner*—Brian N. Vinson  
*Attorney, Agent, or Firm*—Robbins, Berliner & Carson

## [57] CLAIM

The ornamental design for an appliance mounting stand, as shown and described.

## DESCRIPTION

FIG. 1 is a top, front, and right side perspective view of an appliance mounting stand showing my new design, the broken-line disclosure of a television set being for illustrative purposes only and forming no part of the claimed design;

FIG. 2 is a bottom, front, and right side perspective view thereof;

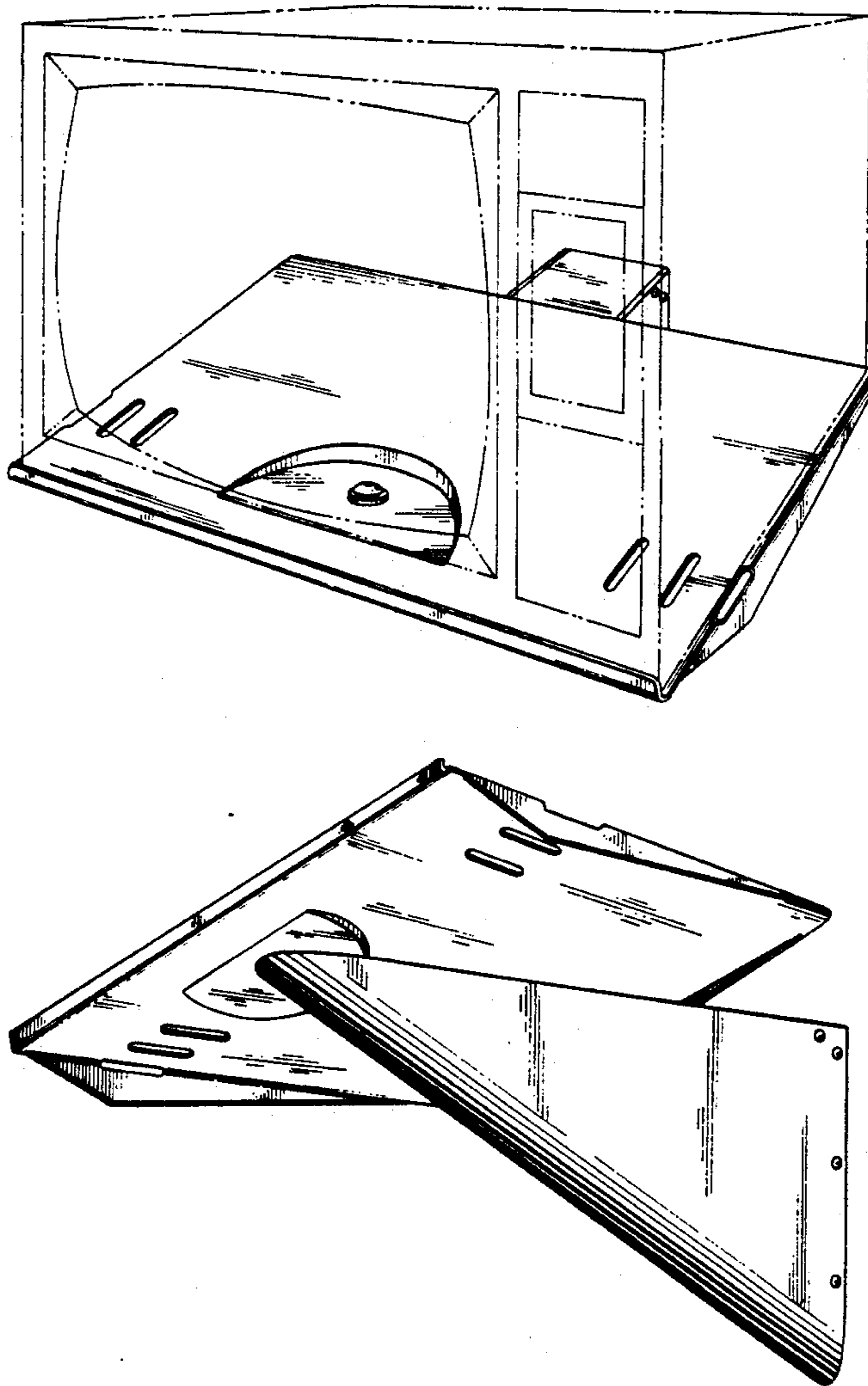
FIG. 3 is a top plan view thereof;

FIG. 4 is a bottom plan view thereof;

FIG. 5 is a left side elevational view thereof, the right side being a mirror image;

FIG. 6 is a front elevational view thereof; and,

FIG. 7 is a rear elevational view thereof.



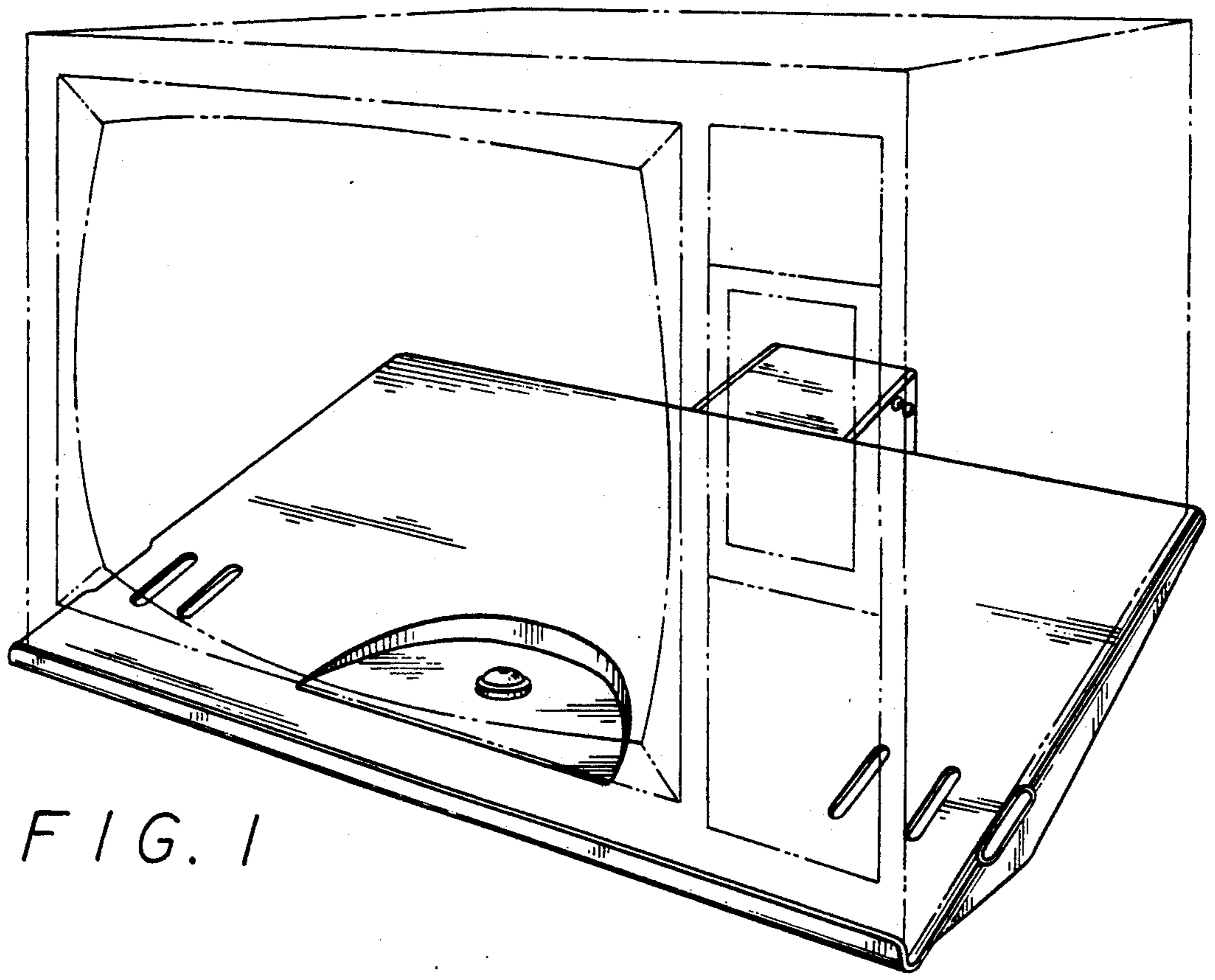


FIG. 1

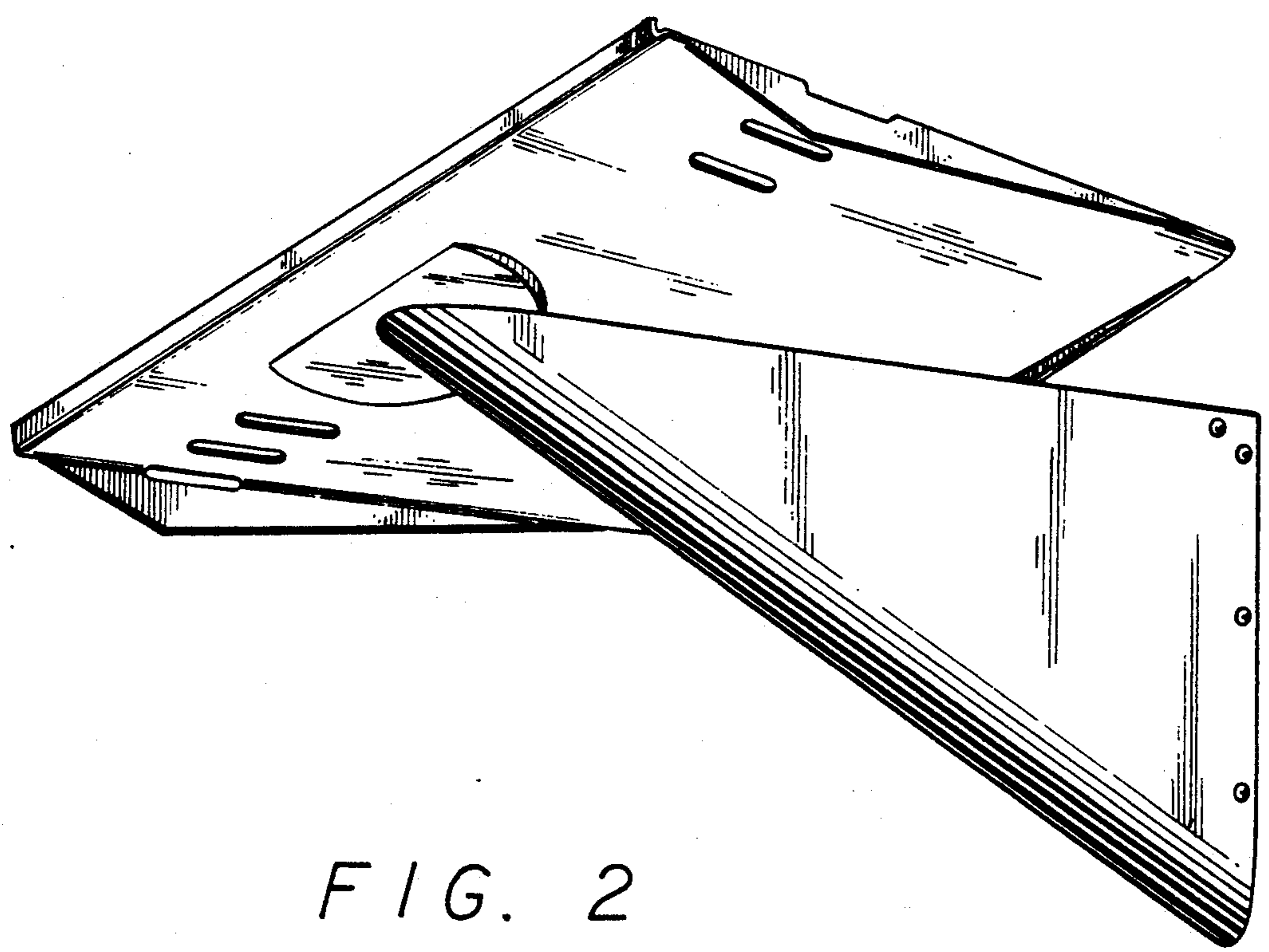


FIG. 2

FIG. 3

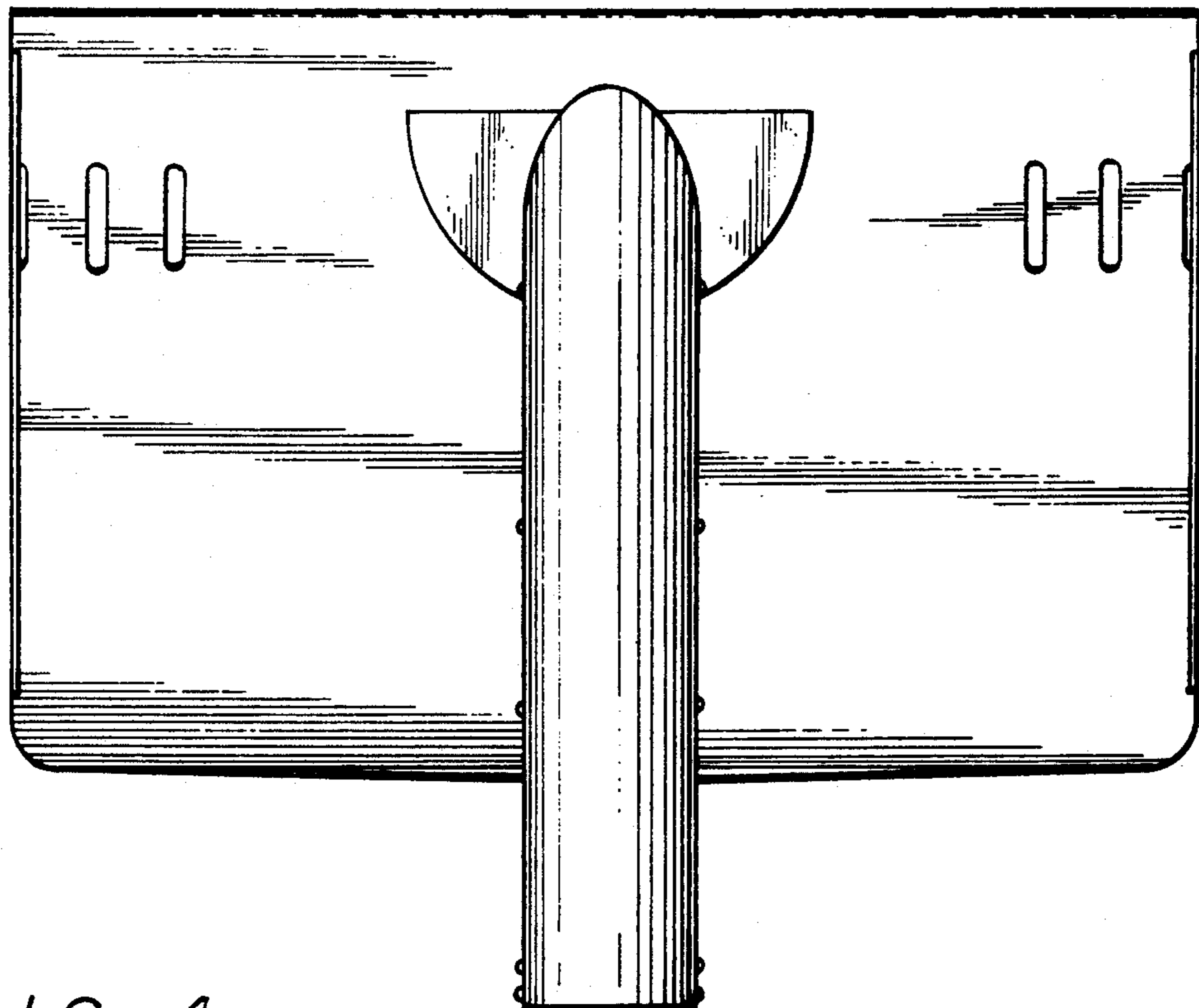
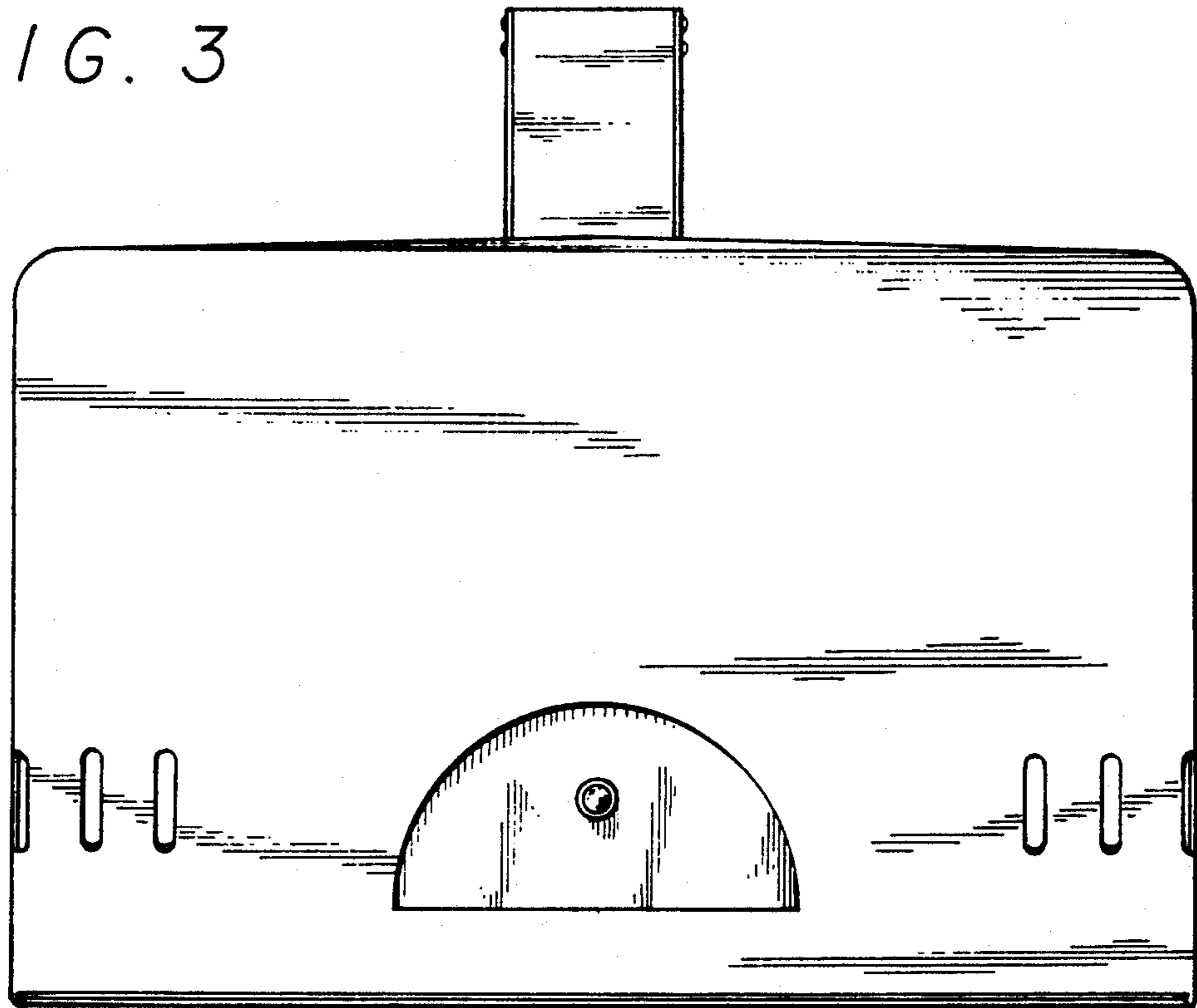


FIG. 4

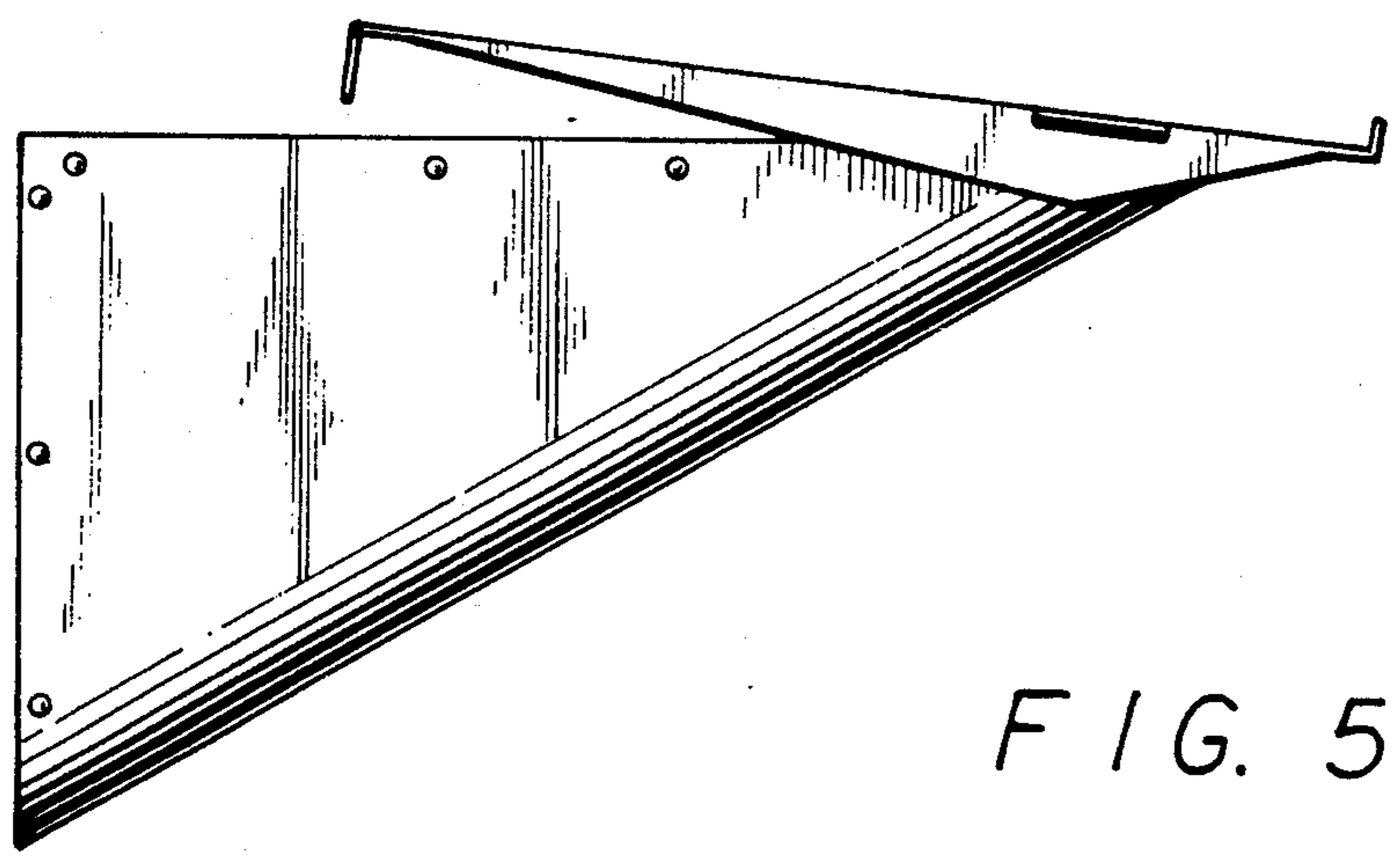


FIG. 5

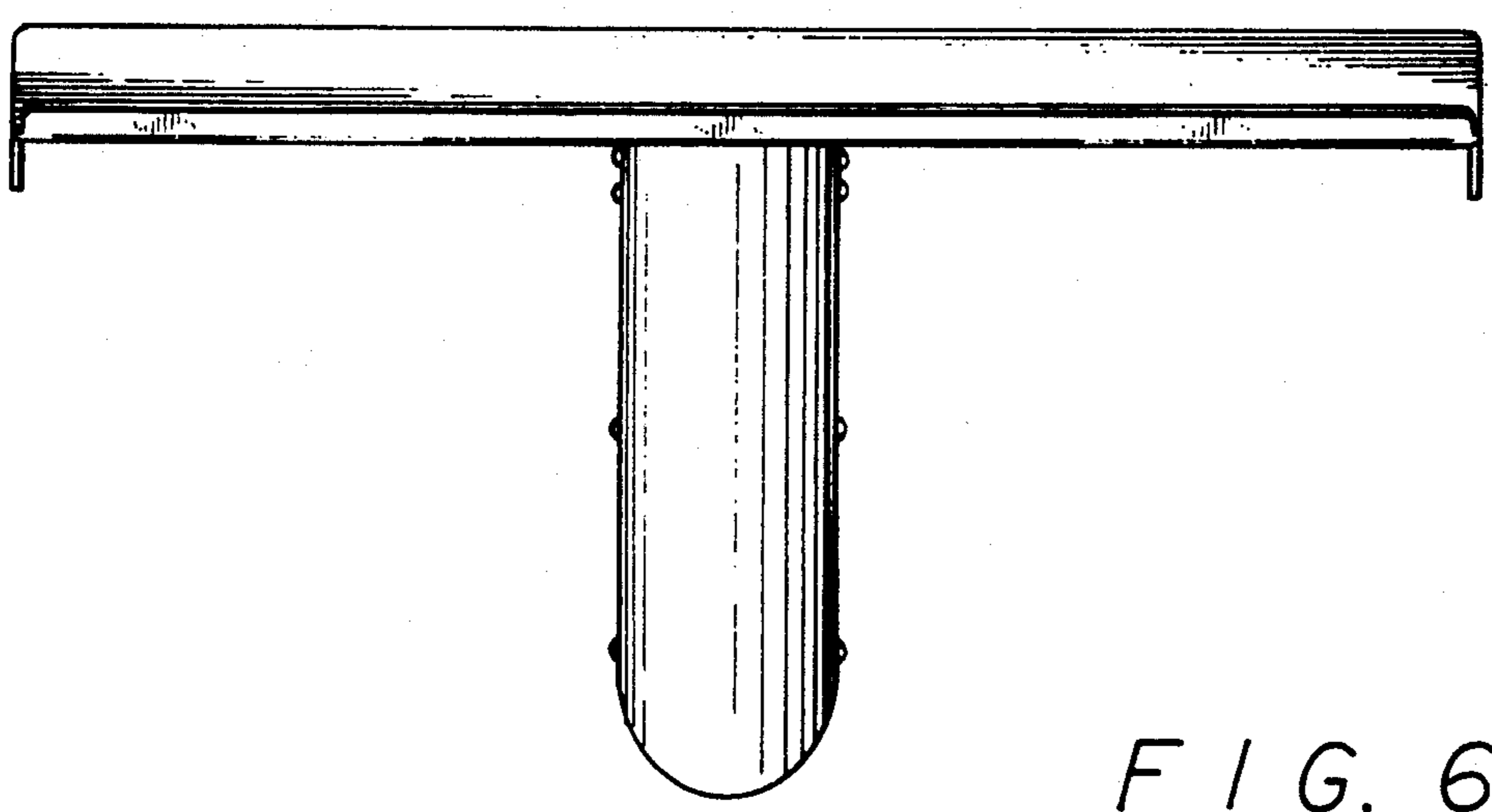


FIG. 6

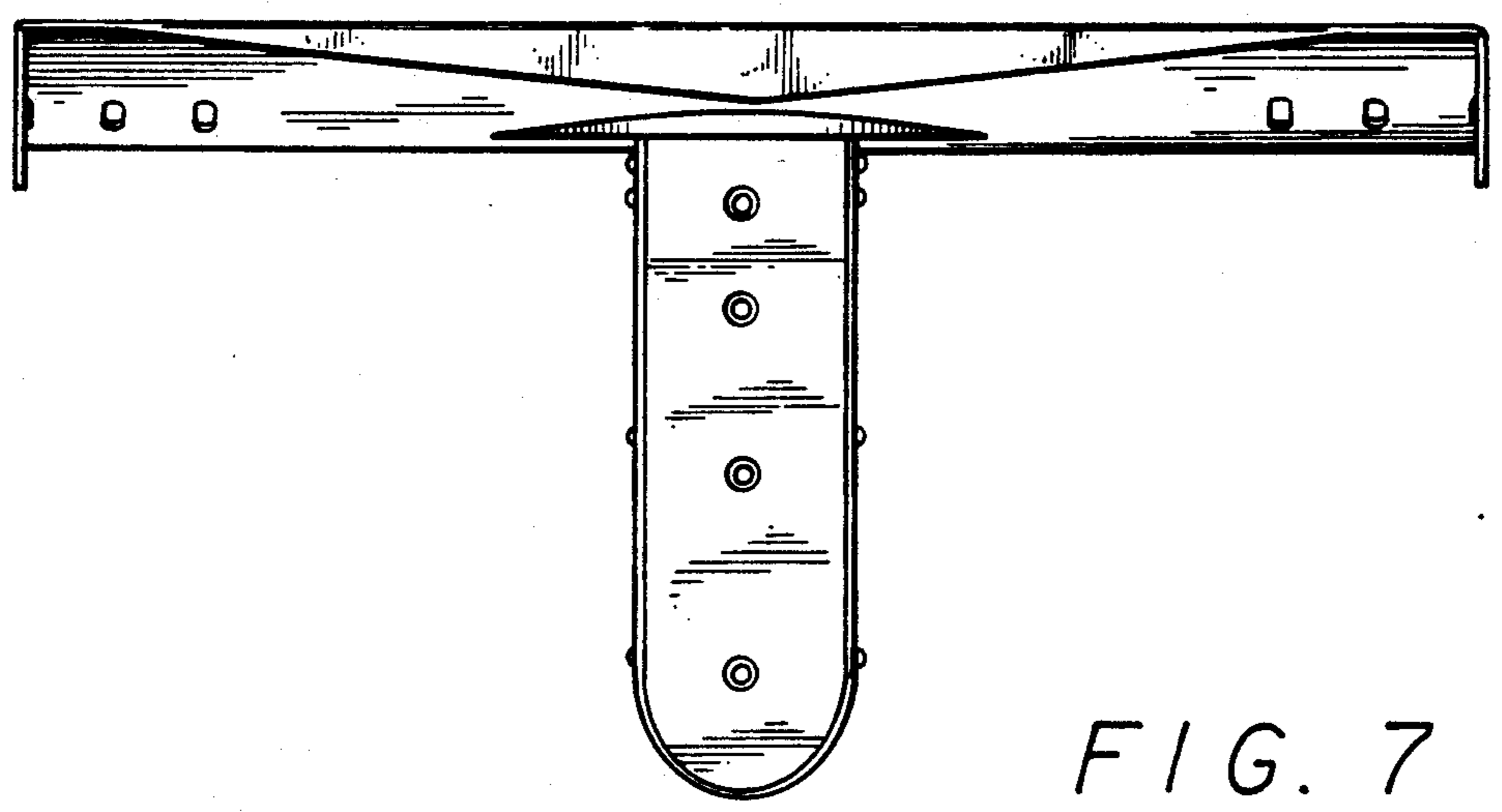


FIG. 7