



US00D337716S

# United States Patent [19]

[11] Patent Number: **Des. 337,716**

Weissman

[45] Date of Patent: **\*\* Jul. 27, 1993**

[54] **GAS PUMP NOZZLE HOLDER**

D. 272,231 1/1984 Black, Jr. .... D8/349  
4,095,629 6/1978 Jordan ..... 251/90 X

[76] Inventor: **Steven I. Weissman, Alfred I.**  
DuPont Bldg., Suite. 1125, 169 E.  
Flagler St., Miami, Fla. 33131

*Primary Examiner*—Wallace R. Burke  
*Assistant Examiner*—H. Baynham  
*Attorney, Agent, or Firm*—Malloy & Malloy

[\*\*] Term: **14 Years**

[57] **CLAIM**

[21] Appl. No.: **724,346**

The ornamental design for a gas pump nozzle holder, as shown and described.

[22] Filed: **Jul. 1, 1991**

[52] U.S. Cl. .... **D8/349**

[58] Field of Search ..... **D8/349, 354; D3/61-62,**  
**D3/64-65, 103; 141/392; 251/90**

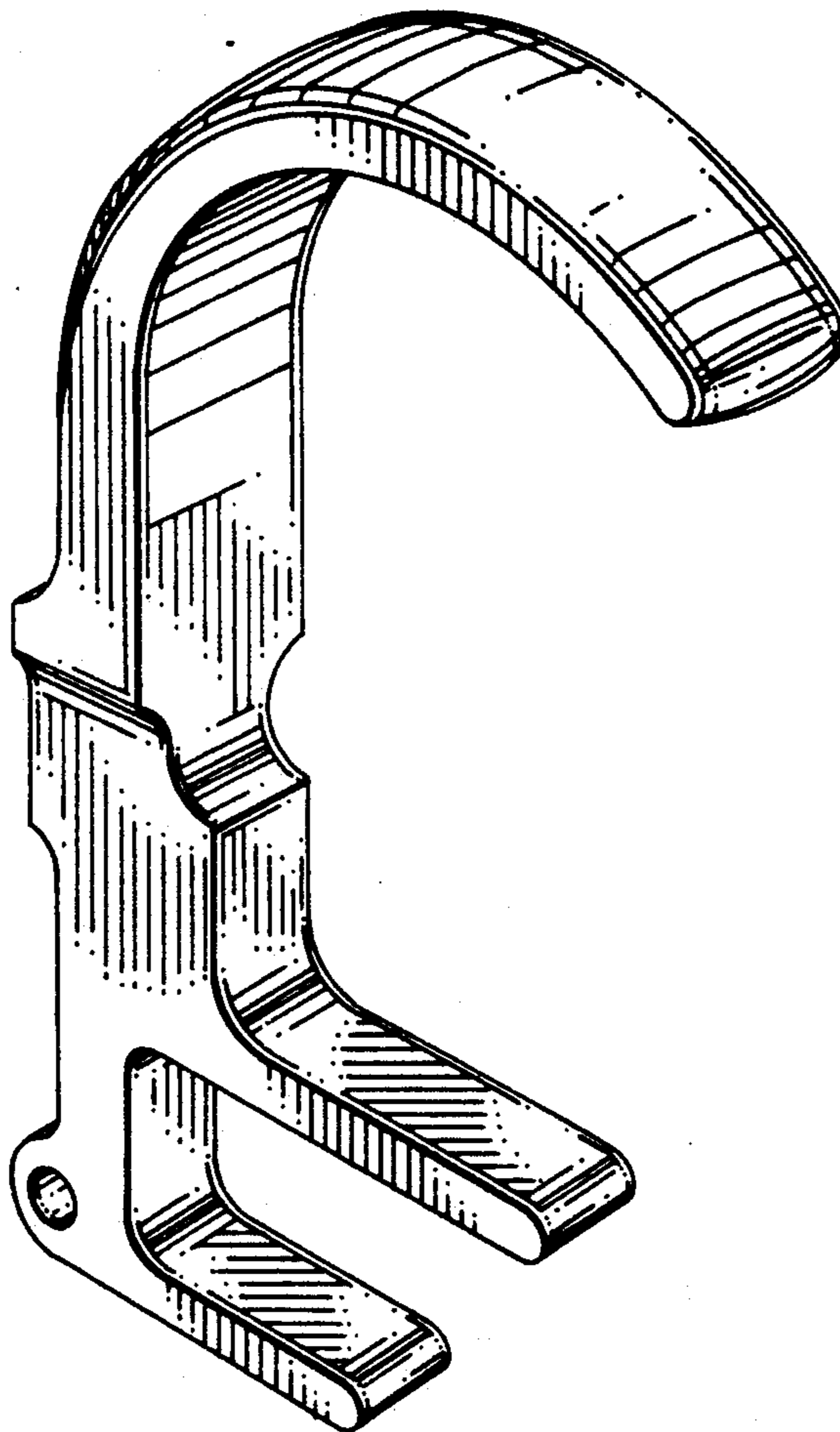
**DESCRIPTION**

FIG. 1 is a perspective view of a gas pump nozzle holder showing my new design;  
FIG. 2 is a front elevational view thereof;  
FIG. 3 is a right end elevational view thereof;  
FIG. 4 is a left end elevational view thereof;  
FIG. 5 is a top plan view thereof; and,  
FIG. 6 is a bottom plan view thereof.

[56] **References Cited**

**U.S. PATENT DOCUMENTS**

D. 255,066 5/1980 Hadgis ..... D8/349 X  
D. 255,773 7/1980 Roske ..... D8/349



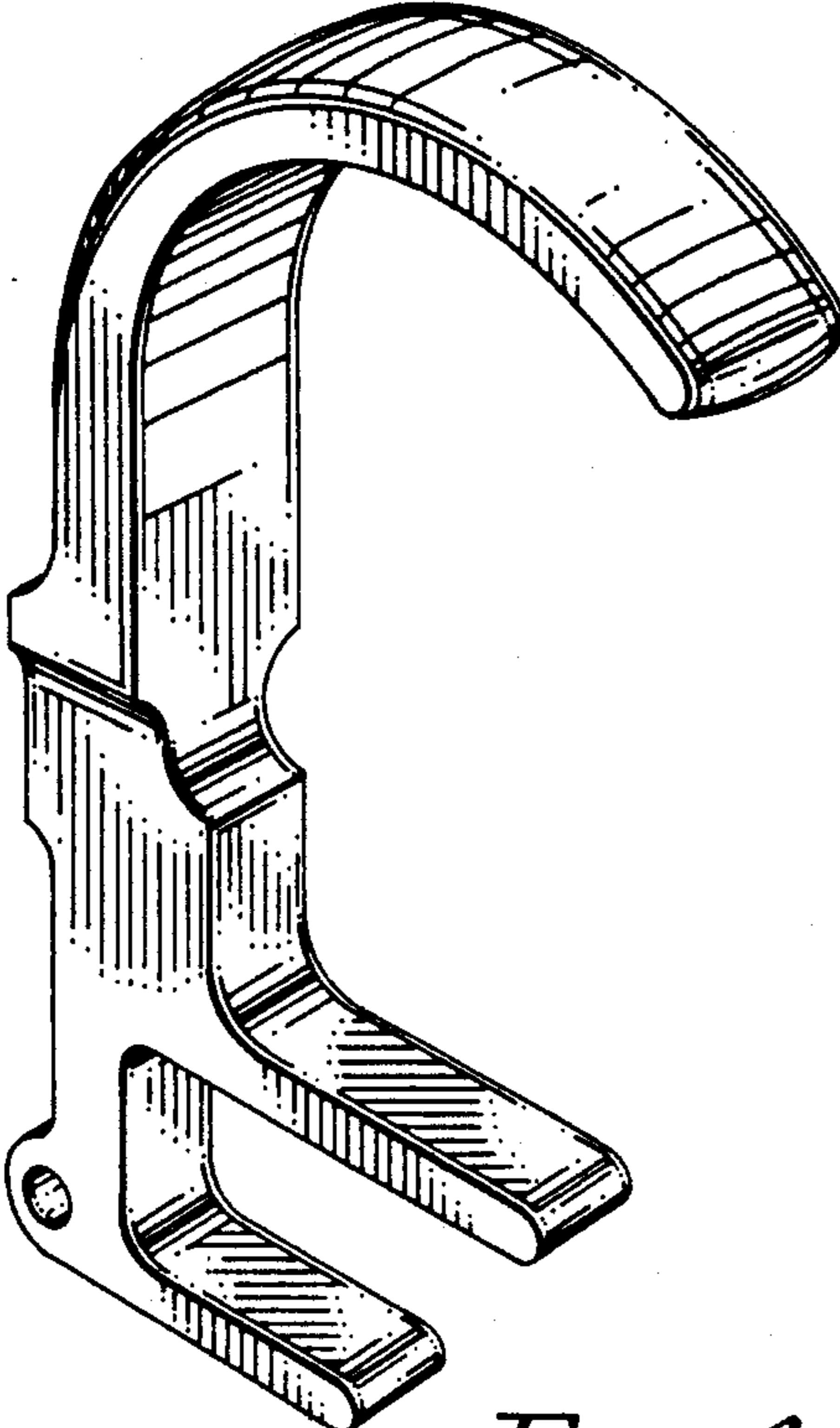


FIG. 1

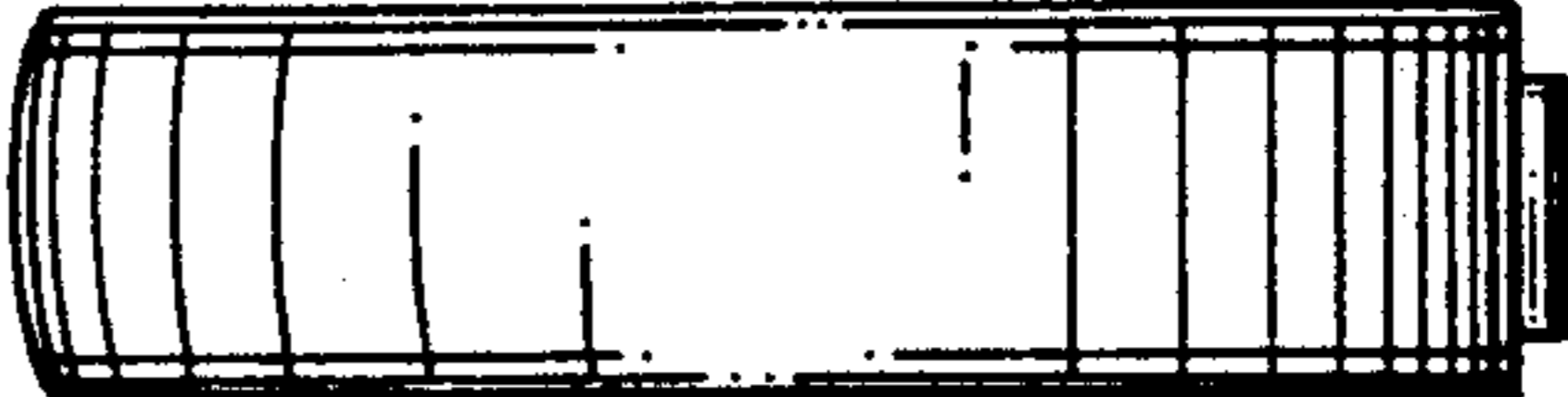


FIG. 5



FIG. 6

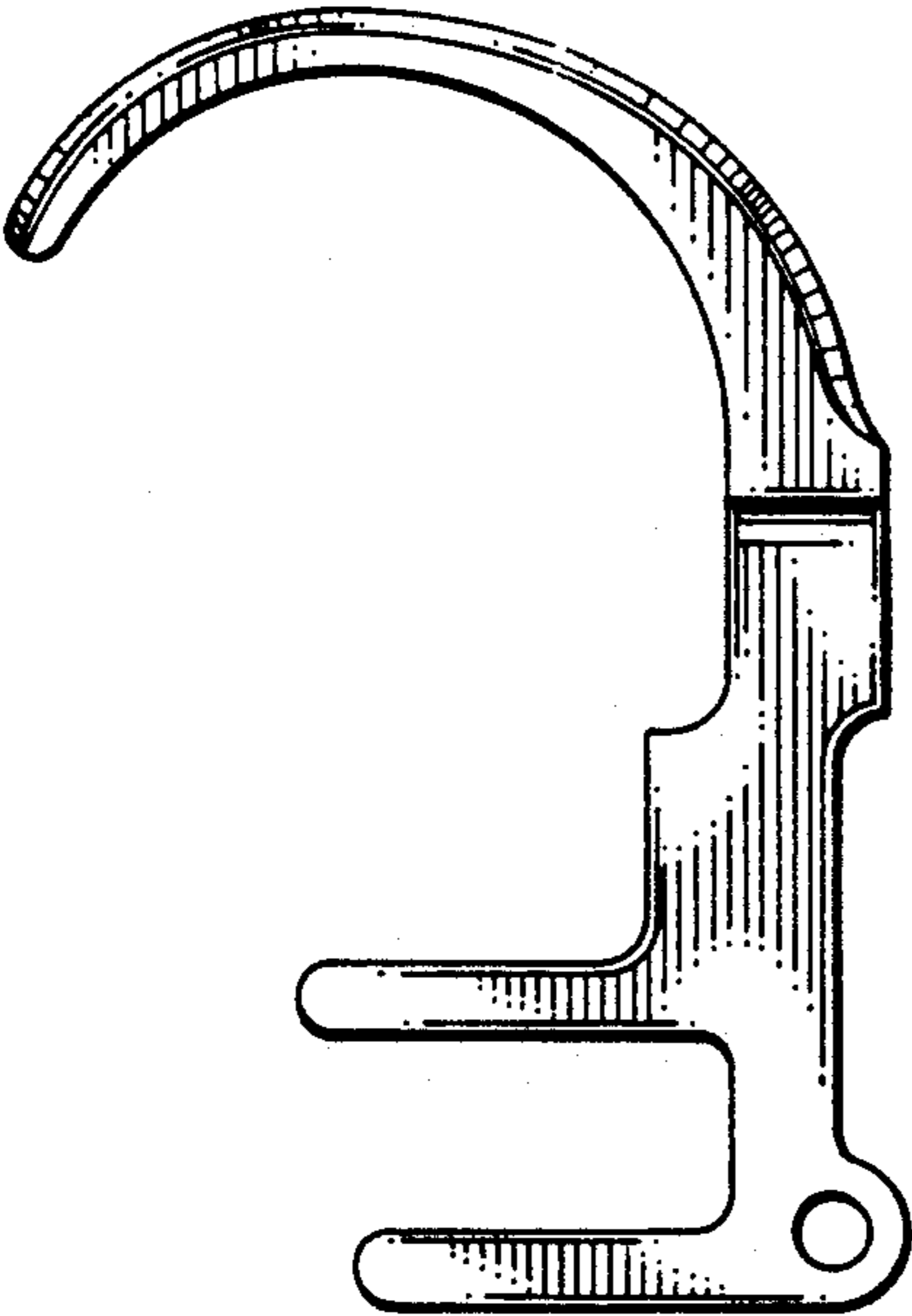


FIG. 2

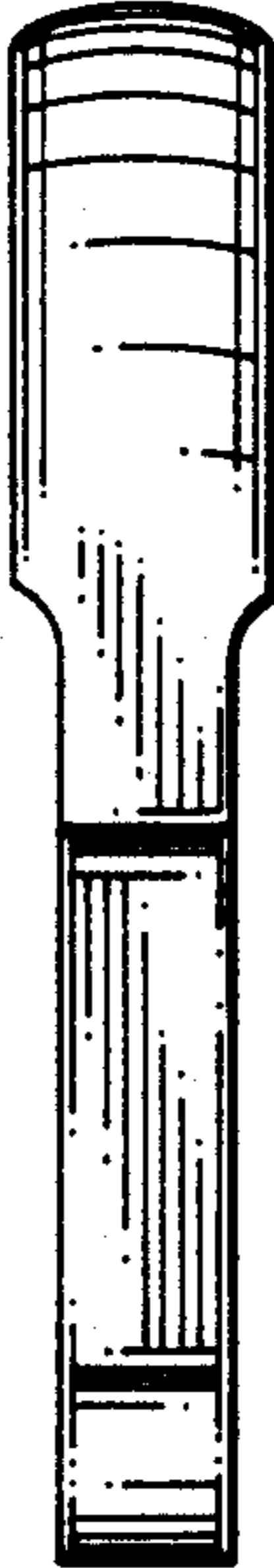


FIG. 3

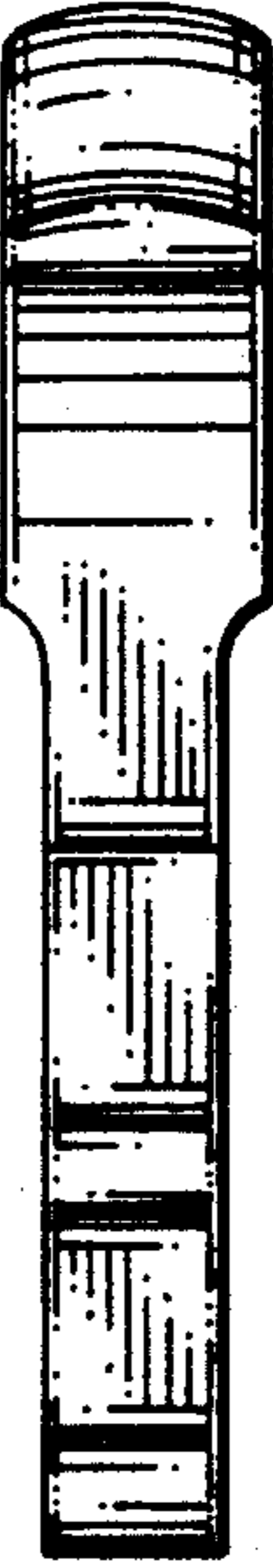


FIG. 4