



US00D337712S

# United States Patent [19]

[11] Patent Number: Des. 337,712

Cavedo

[45] Date of Patent: \*\* Jul. 27, 1993

## [54] AUXILIARY DRILL HANDLE OR THE LIKE

[75] Inventor: Robert P. Cavedo, Easley, S.C.

[73] Assignee: Ryobi Motor Products Corp., Easley, S.C.

[\*\*] Term: 14 Years

[21] Appl. No.: 666,675

[22] Filed: Mar. 11, 1991

[52] U.S. Cl. .... D8/70; D8/69

[58] Field of Search ..... D8/70; 16/116 R, 114 R; 408/241 R, 238

## [56] References Cited

### U.S. PATENT DOCUMENTS

3,537,336	11/1970	Schmuck	77/7
4,820,090	4/1989	Chen	408/241
4,881,294	11/1989	Riedl	16/114
5,049,012	9/1991	Cavedo	408/241 R

## OTHER PUBLICATIONS

Catalog Page showing Black & Decker Model 7194-1 Drill.

Primary Examiner—Alan P. Douglas  
Assistant Examiner—J. H. Musgrove  
Attorney, Agent, or Firm—Brooks & Kushman

## [57] CLAIM

The ornamental design for an auxiliary drill handle or the like, as shown.

## DESCRIPTION

FIG. 1 is a perspective view of an auxiliary drill handle showing my new design;

FIG. 2 is a side elevational view thereof;

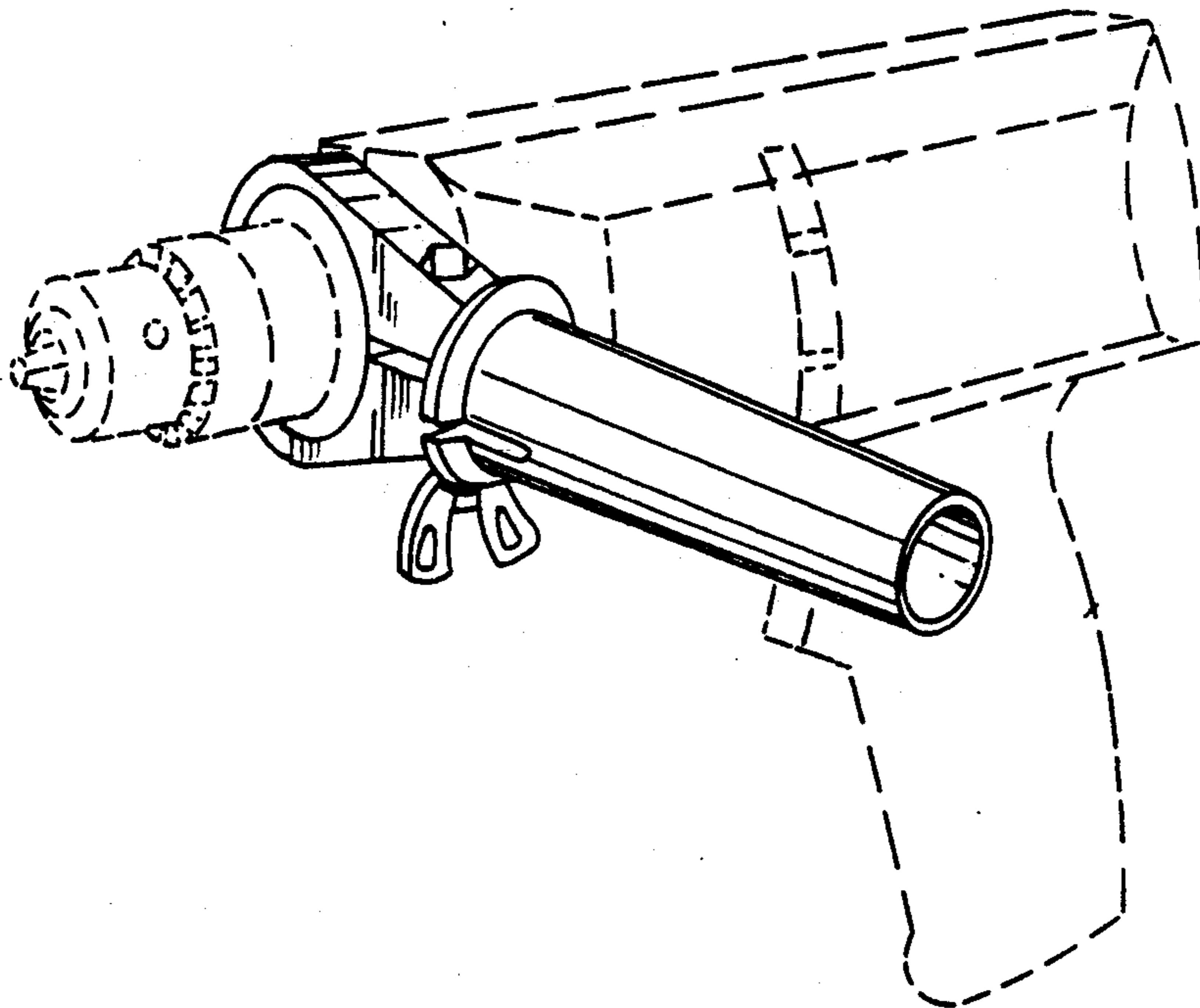
FIG. 3 is a top plan view thereof;

FIG. 4 is a bottom plan view thereof;

FIG. 5 is a front elevational view thereof; and,

FIG. 6 is a rear elevational view thereof.

The portions of the drawing shown in broken lines are environmental only and form no part of the claimed design.



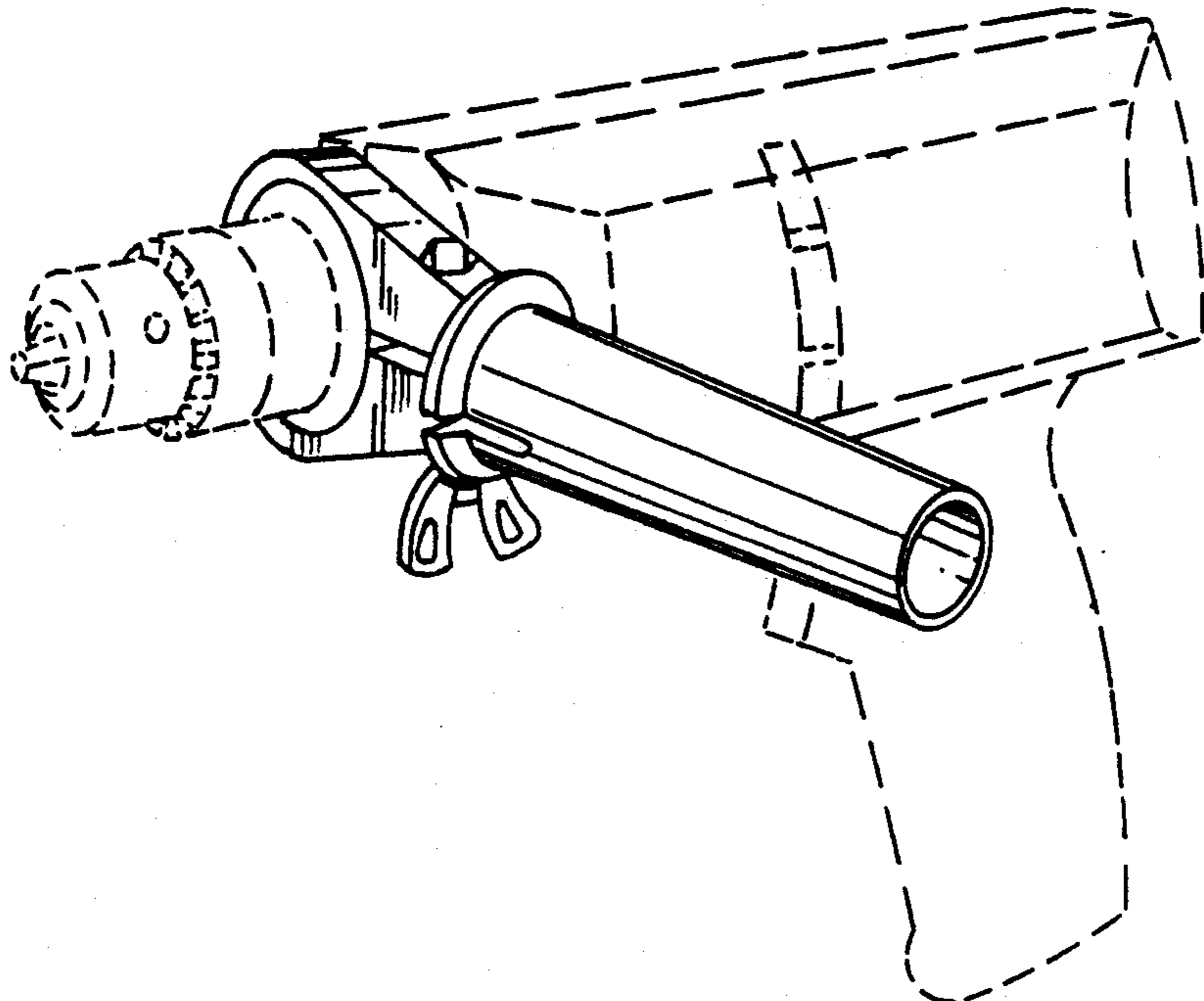


FIG. 1

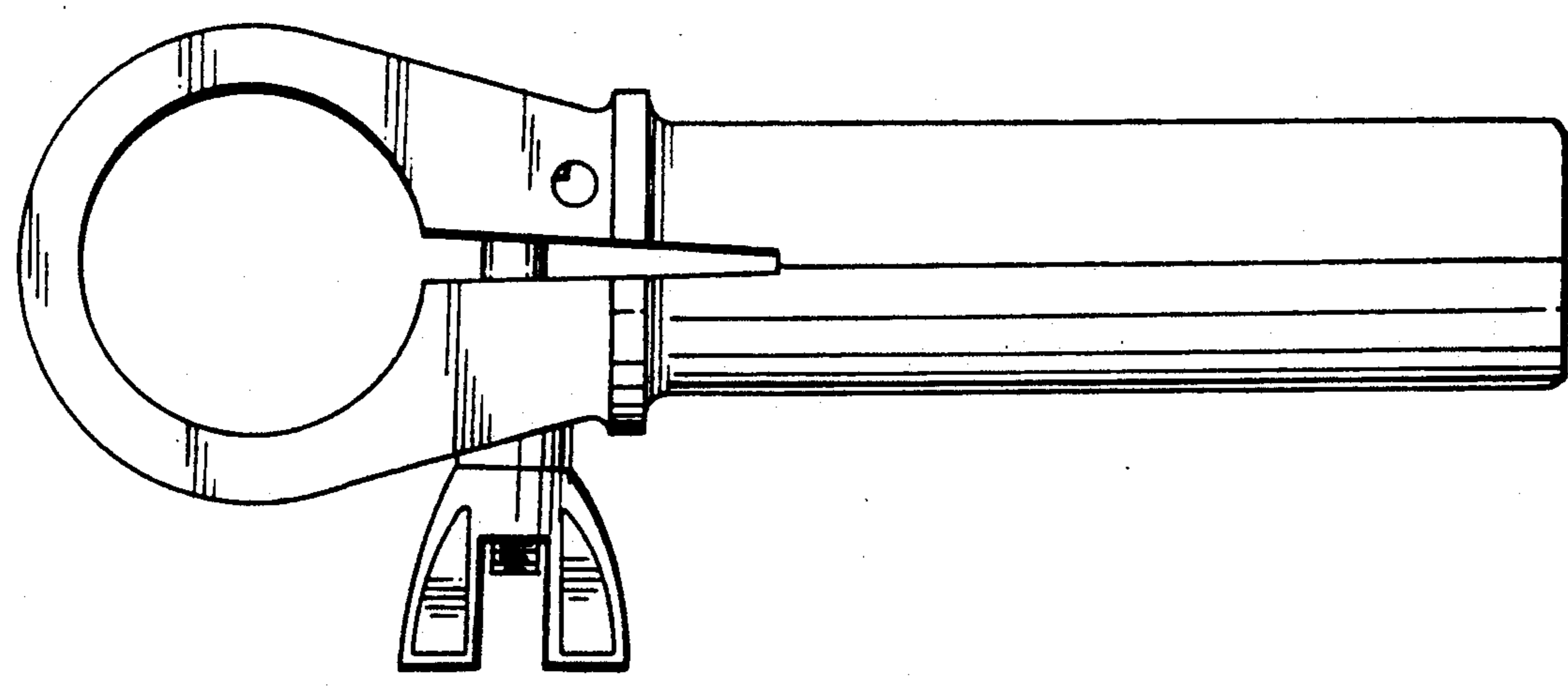


FIG. 2

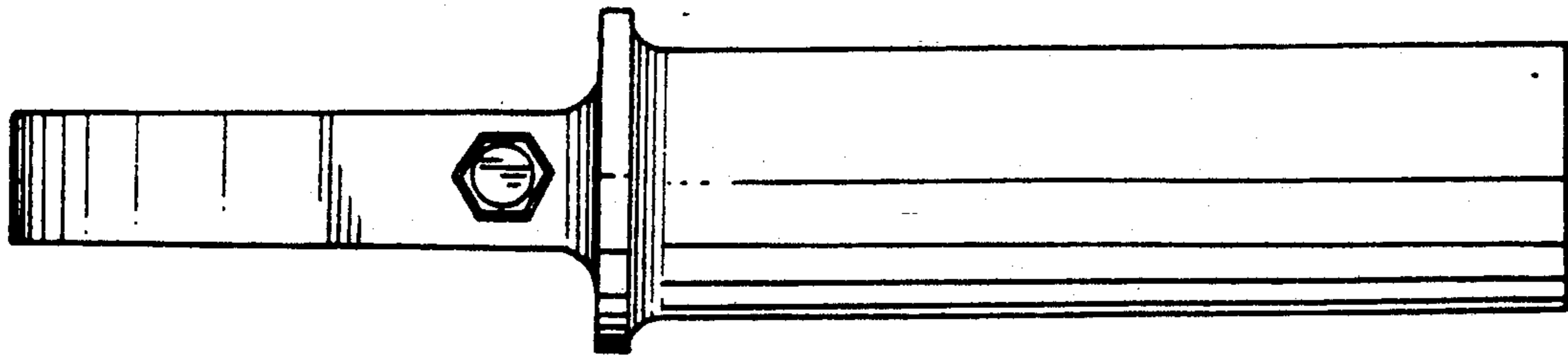


FIG. 3

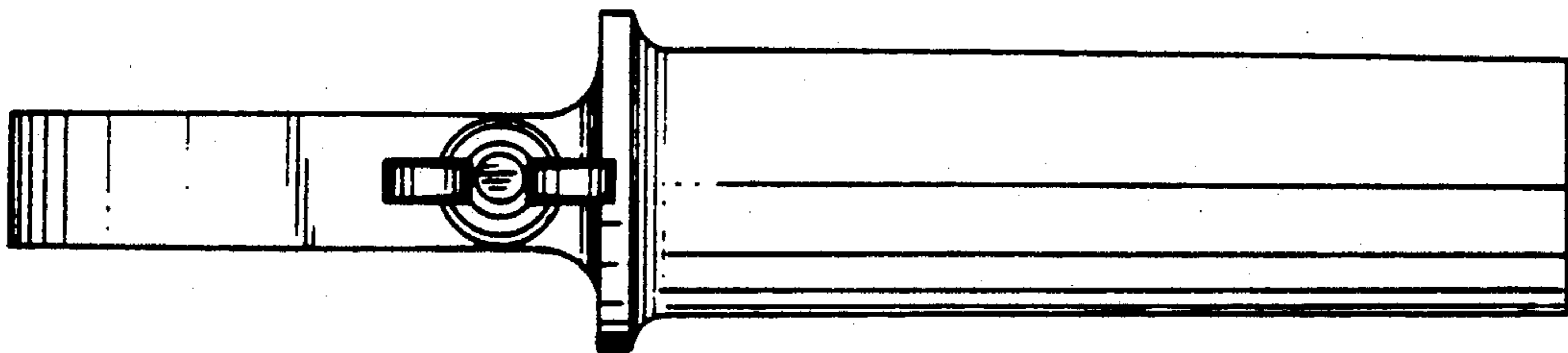


FIG. 4

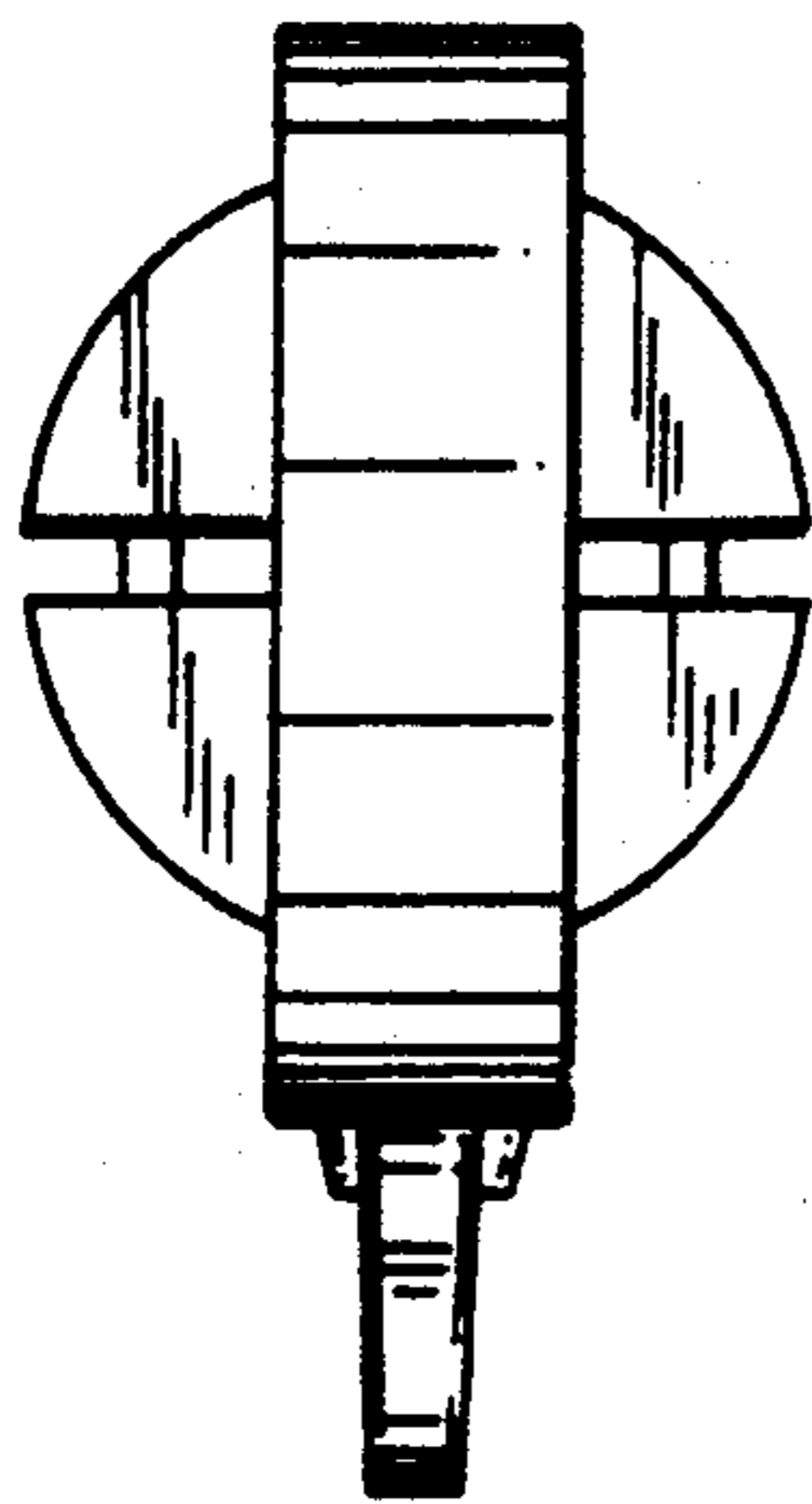


FIG. 5

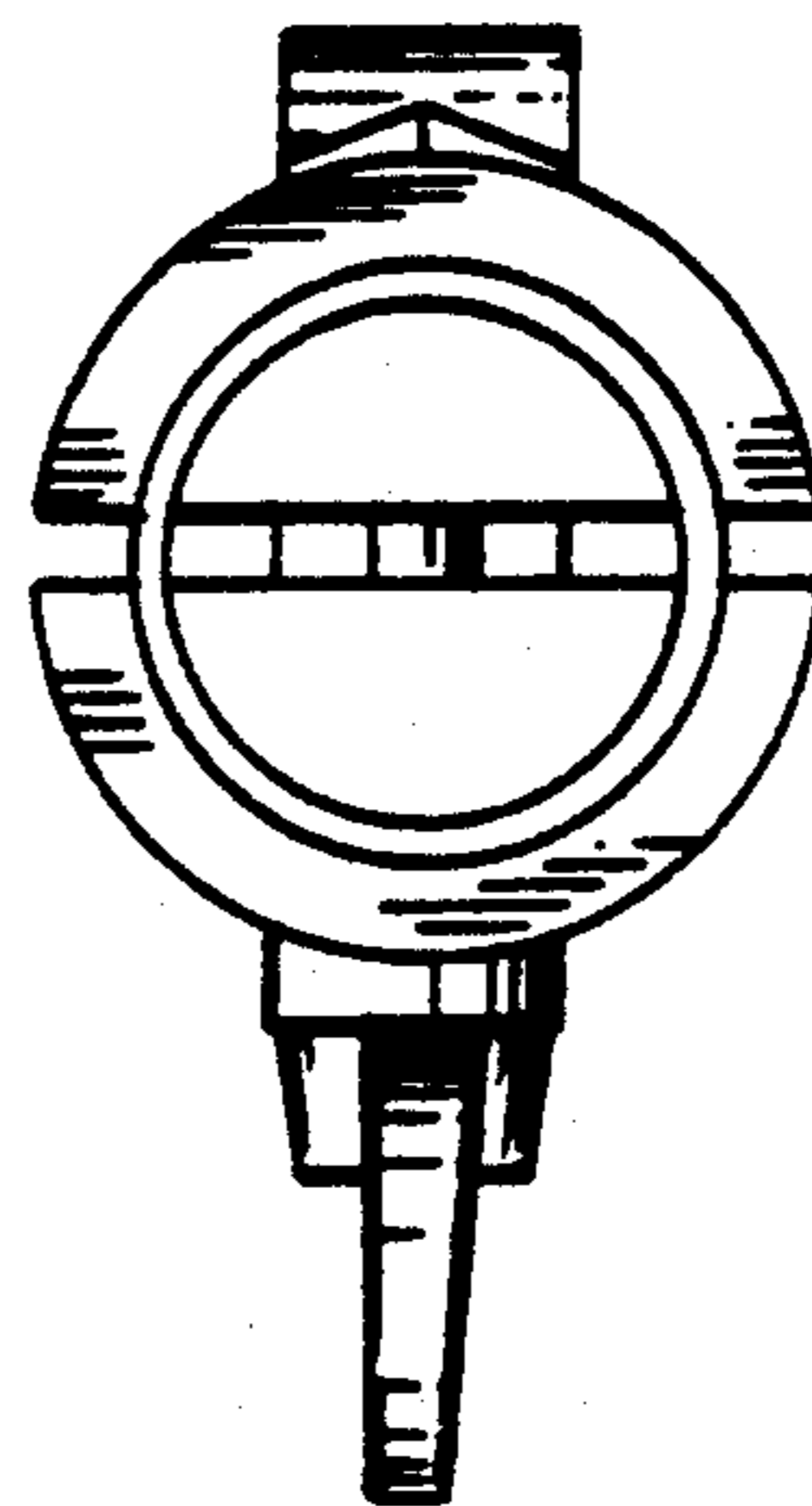


FIG. 6