



US00D337711S

United States Patent [19]

[11] Patent Number: **Des. 337,711**

Ogawa et al.

[45] Date of Patent: **** Jul. 27, 1993**

[54] **PORTABLE ELECTRIC DRILL**

D. 330,152 10/1992 Ogawa et al. D8/68

[75] Inventors: **Yasunori Ogawa, Mito; Kazuhiko Kitaguchi, Katsuta, both of Japan**

OTHER PUBLICATIONS

Brochure of Hitachi Koki; p. 10; Oct. 1987.

[73] Assignee: **Hitachi Koki Company Limited, Tokyo, Japan**

Primary Examiner—Nelson C. Holtje
Assistant Examiner—J. H. Musgrove
Attorney, Agent, or Firm—Lowe, Price, LeBlanc & Becker

[**] Term: **14 Years**

[21] Appl. No.: **728,063**

[57] **CLAIM**

The ornamental design for a portable electric drill, as shown.

[22] Filed: **Jul. 10, 1991**

[30] **Foreign Application Priority Data**

Jan. 11, 1991 [JP] Japan 3-372

DESCRIPTION

[52] U.S. Cl. **D8/68**

FIG. 1 is a front perspective view of a portable electric drill showing our new design;
FIG. 2 is a front elevational view thereof;
FIG. 3 is a rear elevational view thereof;
FIG. 4 is a left side elevational view thereof;
FIG. 5 is a top plan view thereof;
FIG. 6 is a right side elevational view thereof; and,
FIG. 7 is a bottom plan view thereof.

[58] Field of Search **D8/68, 61; 81/54, 57.11, 81/57.14; 173/170, 169; 408/124, 125**

[56] **References Cited**

U.S. PATENT DOCUMENTS

D. 279,862 7/1985 Sato et al. D8/68
D. 319,763 9/1991 Reiferscheid D8/68

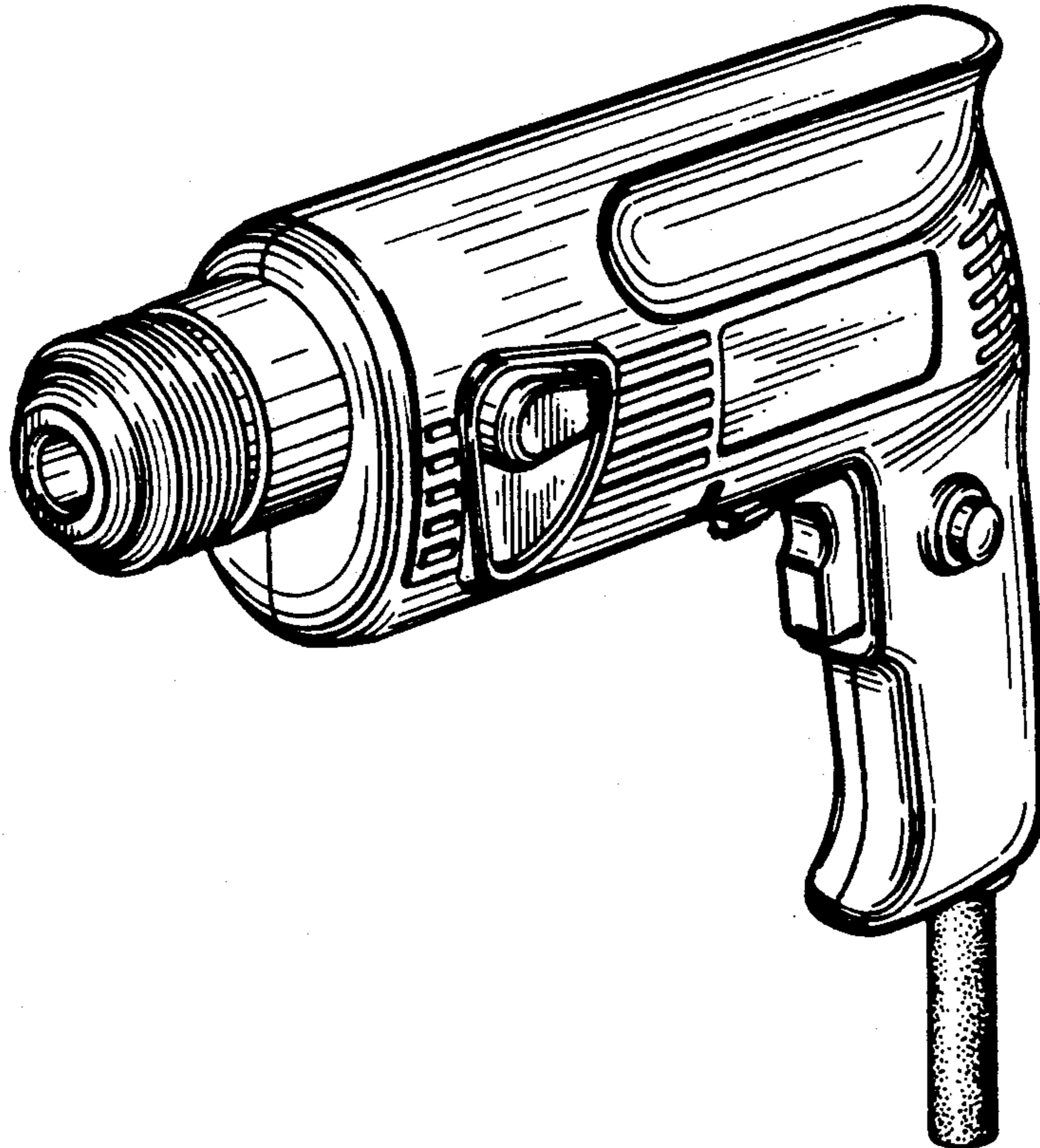


FIG. 1

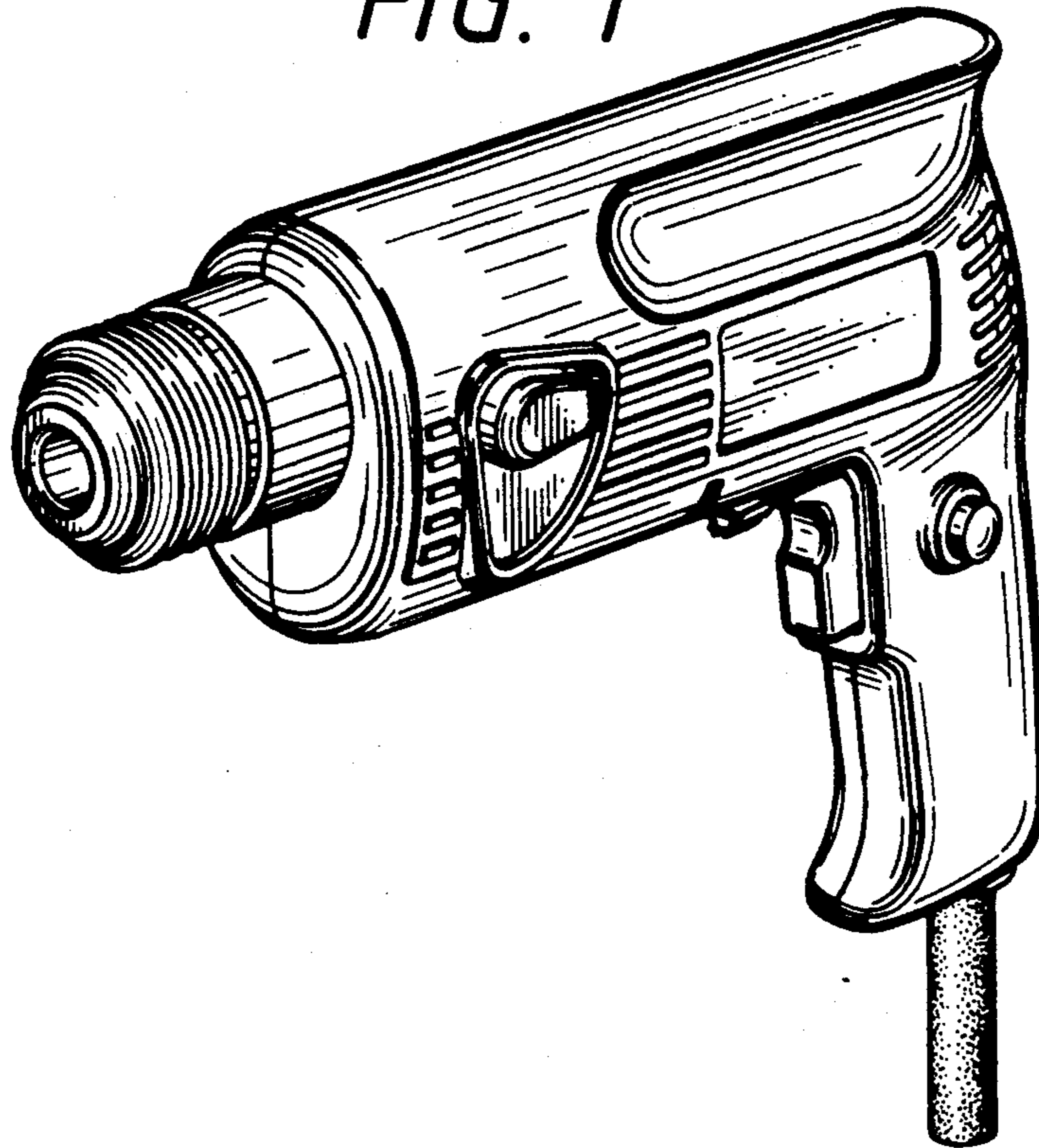


FIG. 2

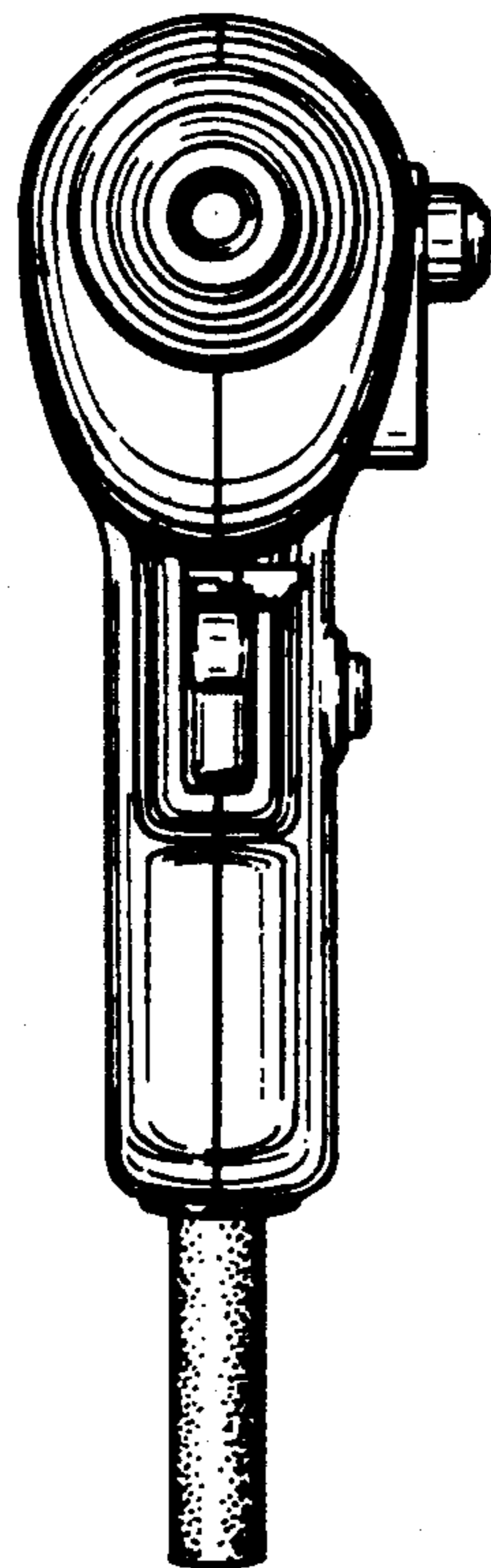


FIG. 3

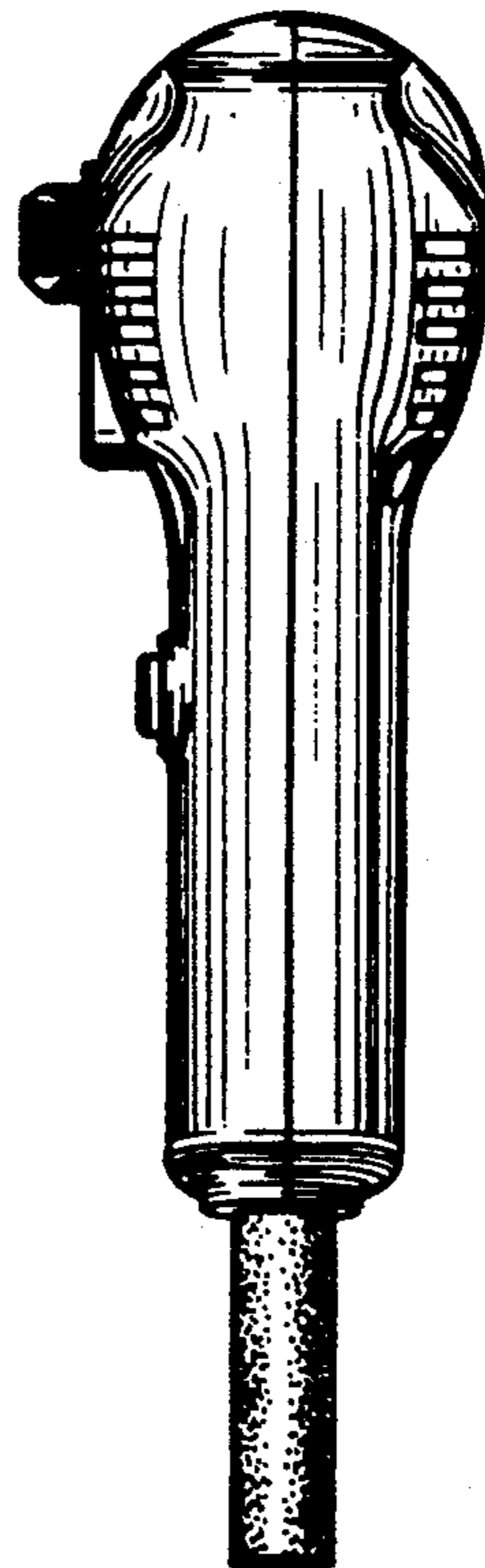


FIG. 4

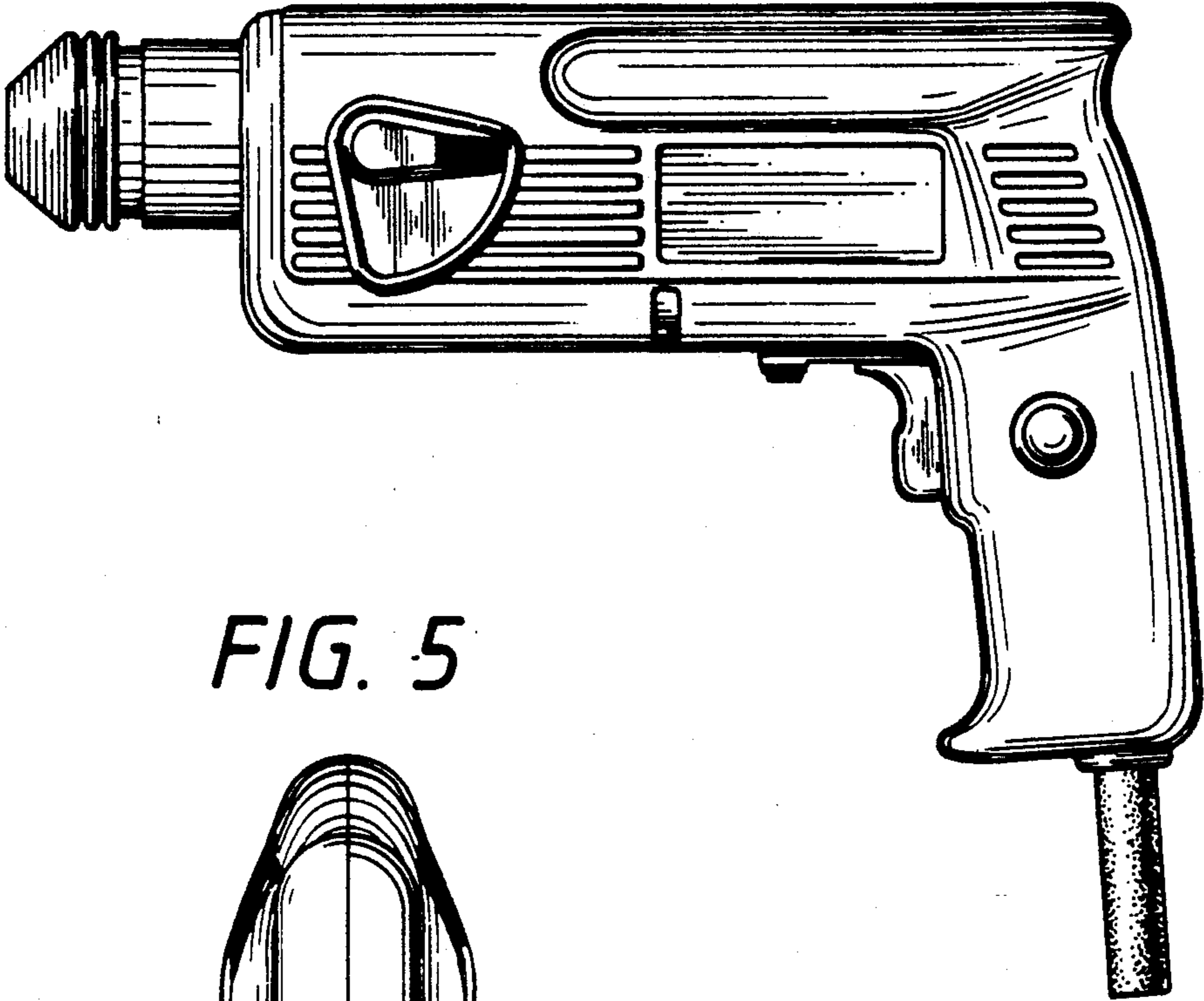


FIG. 5

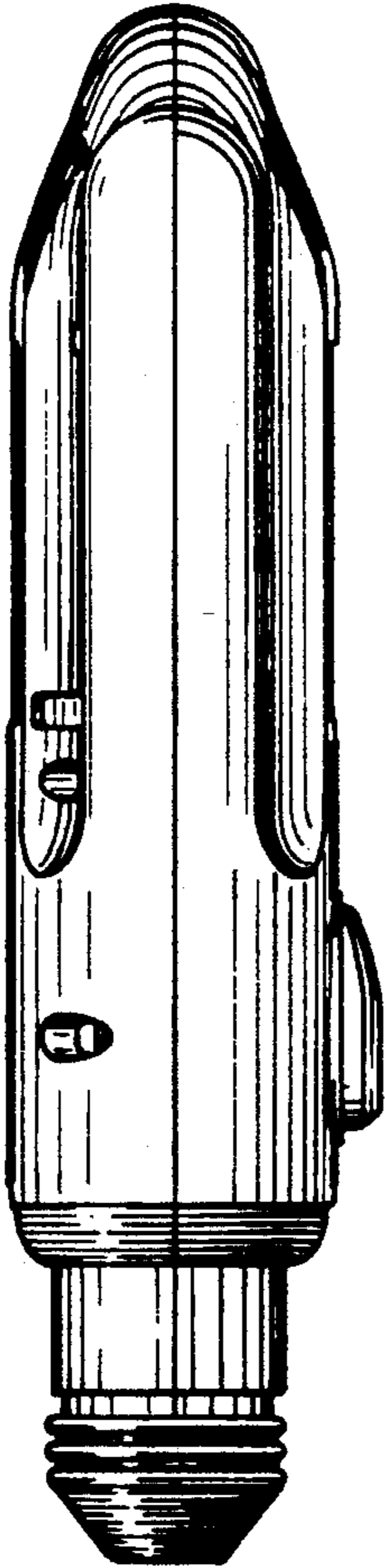


FIG. 6

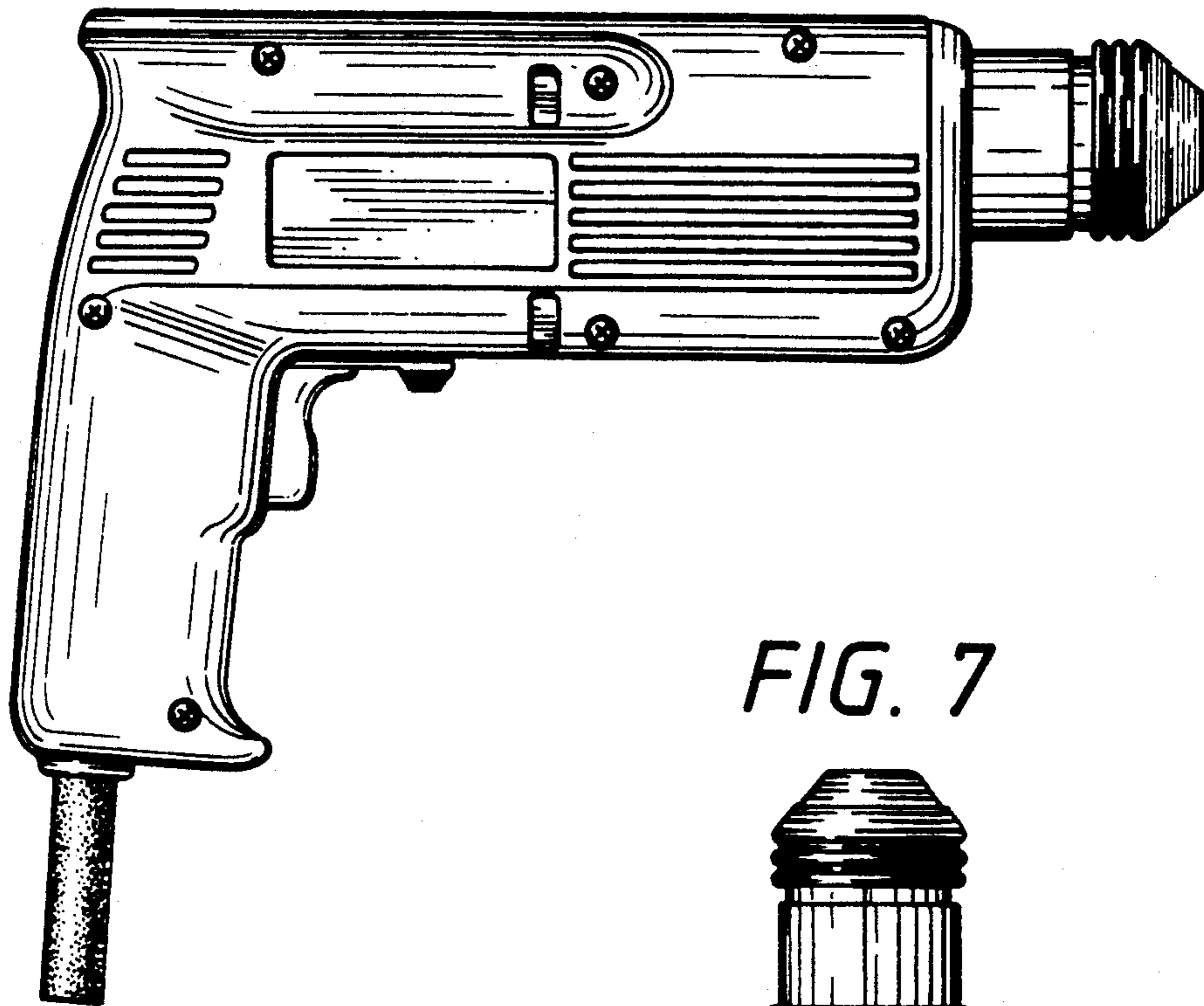


FIG. 7

