



US00D337710S

# United States Patent [19]

[11] Patent Number: **Des. 337,710**

Lui et al.

[45] Date of Patent: **\*\* Jul. 27, 1993**

[54] **ELECTRIC HAND DRILL**

[75] Inventors: **Tat-Nin Lui, Chai Wan; Kam-Tong So, Tsuen Wan, both of Hong Kong**

[73] Assignee: **Choon Nang Electrical Appliance Mfty. Ltd., Hong Kong**

[\*\*] Term: **14 Years**

[21] Appl. No.: **747,927**

[22] Filed: **Aug. 20, 1991**

[30] **Foreign Application Priority Data**

Mar. 8, 1991 [GB]	United Kingdom	2013471
[52] U.S. Cl.		<b>D8/68</b>
[58] Field of Search	D8/68; 81/54, 57, 57.11, 81/57.14; 408/124, 125, 127; 173/170	

[56] **References Cited**

**U.S. PATENT DOCUMENTS**

D. 300,502	4/1989	Schultz	.....	D8/68
D. 300,503	4/1989	Schultz	.....	D8/68
D. 300,717	4/1989	Hasegawa et al.	.....	D8/68

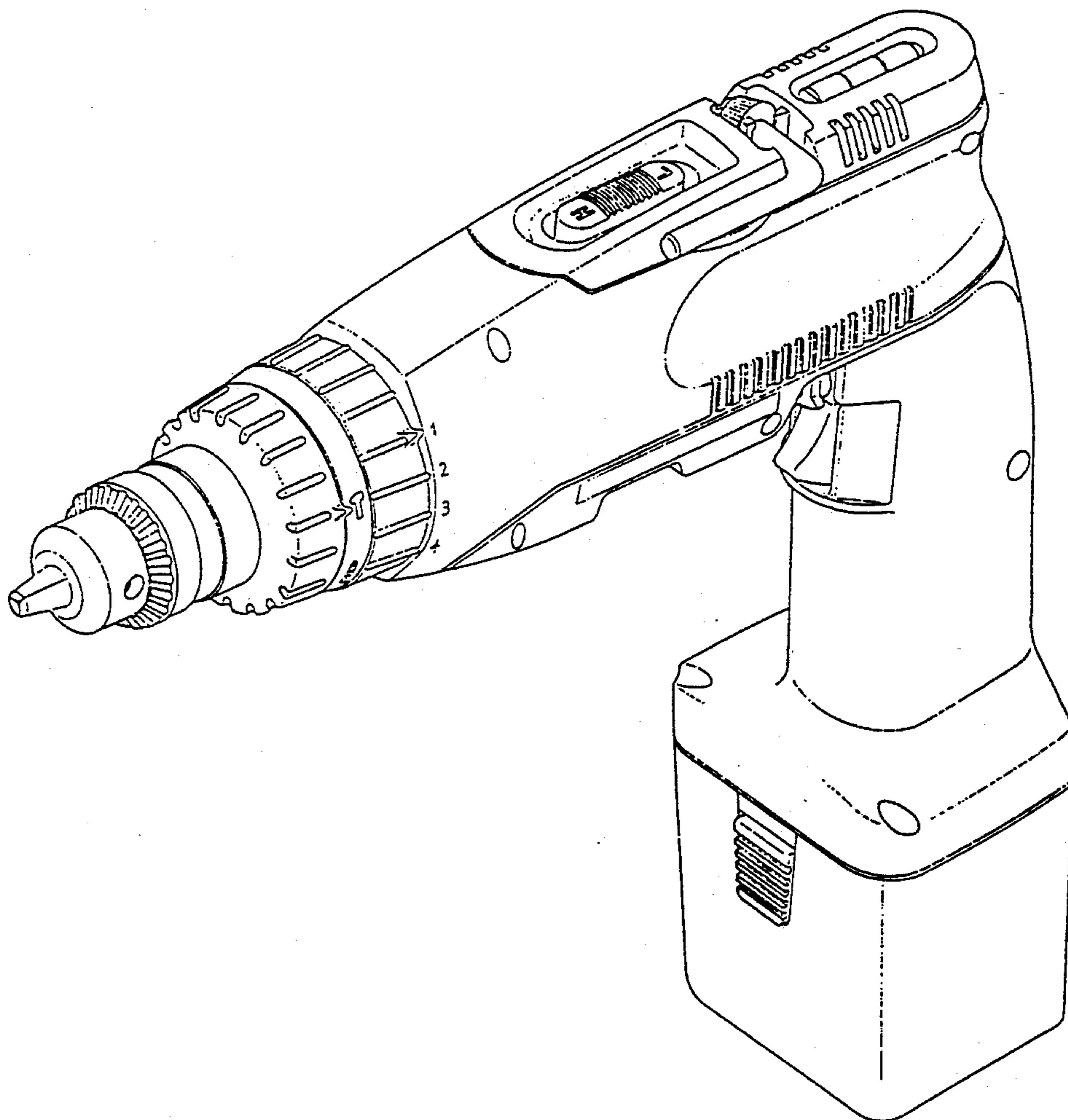
*Primary Examiner*—Nelson C. Holtje  
*Assistant Examiner*—J. H. Musgrove  
*Attorney, Agent, or Firm*—Andrus, Scales, Starke & Sawall

[57] **CLAIM**

The ornamental design for an electric hand drill, as shown and described.

**DESCRIPTION**

FIG. 1 is a top, front end and one side perspective view of an electric hand drill showing our new design; FIG. 2 is an elevational view of one side thereof; FIG. 3 is a front end elevational view thereof; FIG. 4 is a rear end elevational view thereof; FIG. 5 is a top plan view thereof; and, FIG. 6 is a bottom plan view thereof.



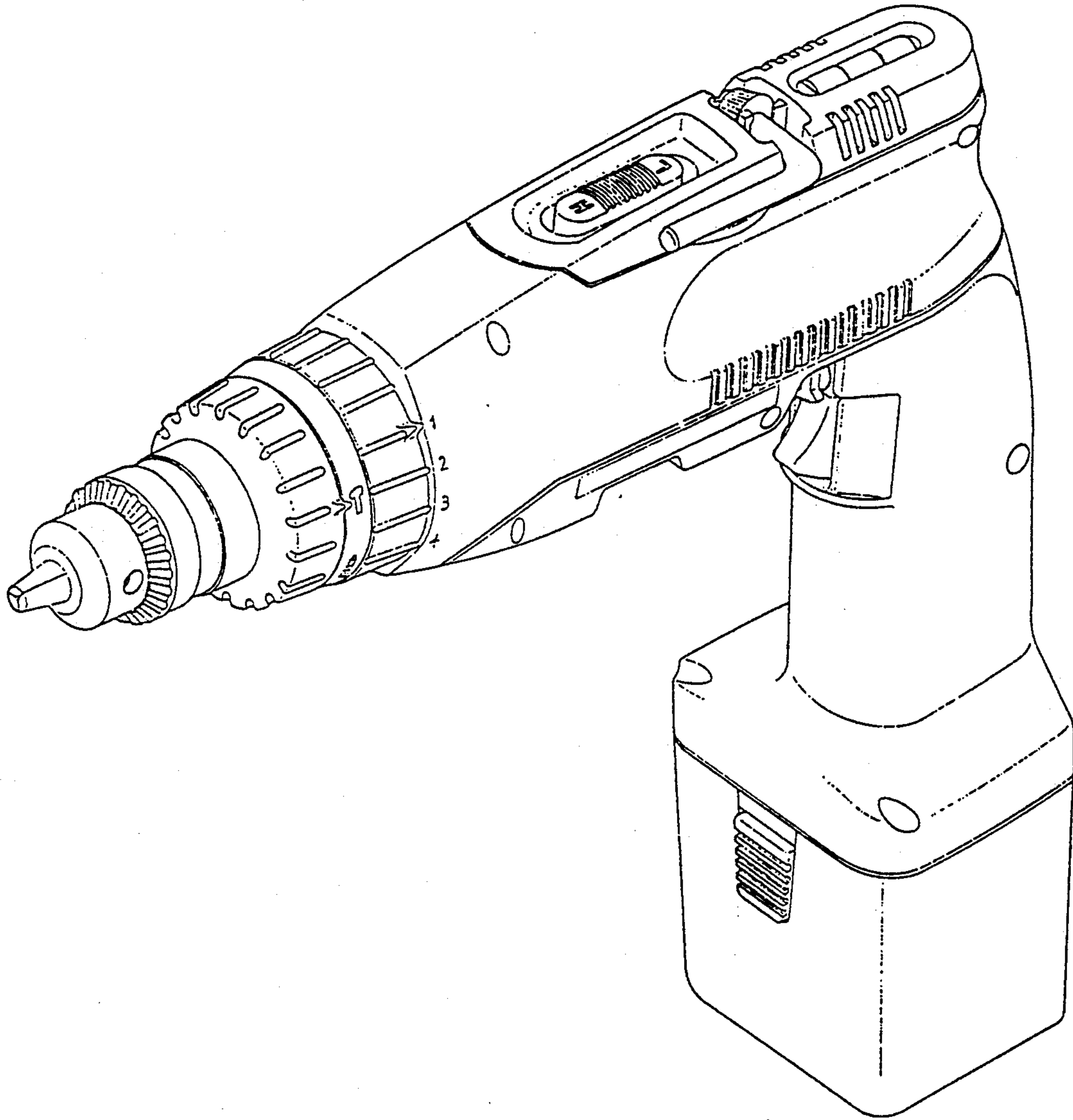


FIGURE 1

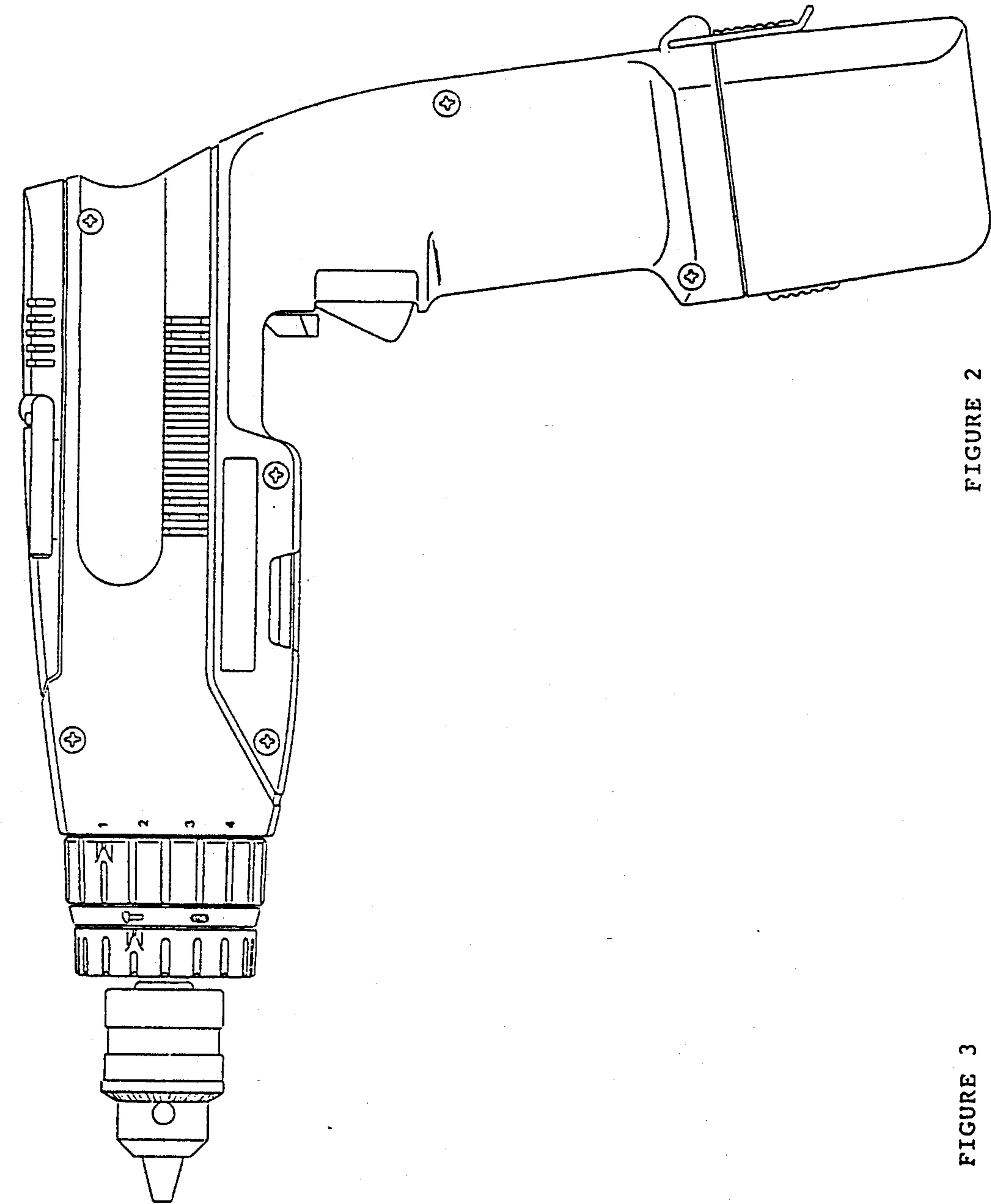


FIGURE 2

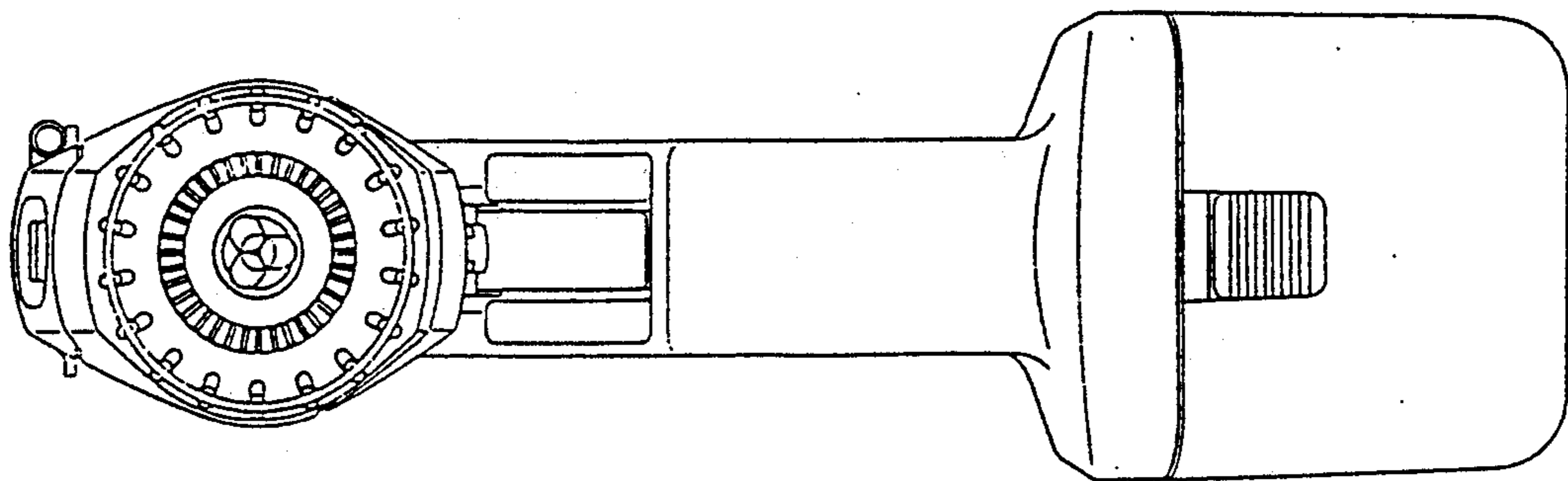


FIGURE 3

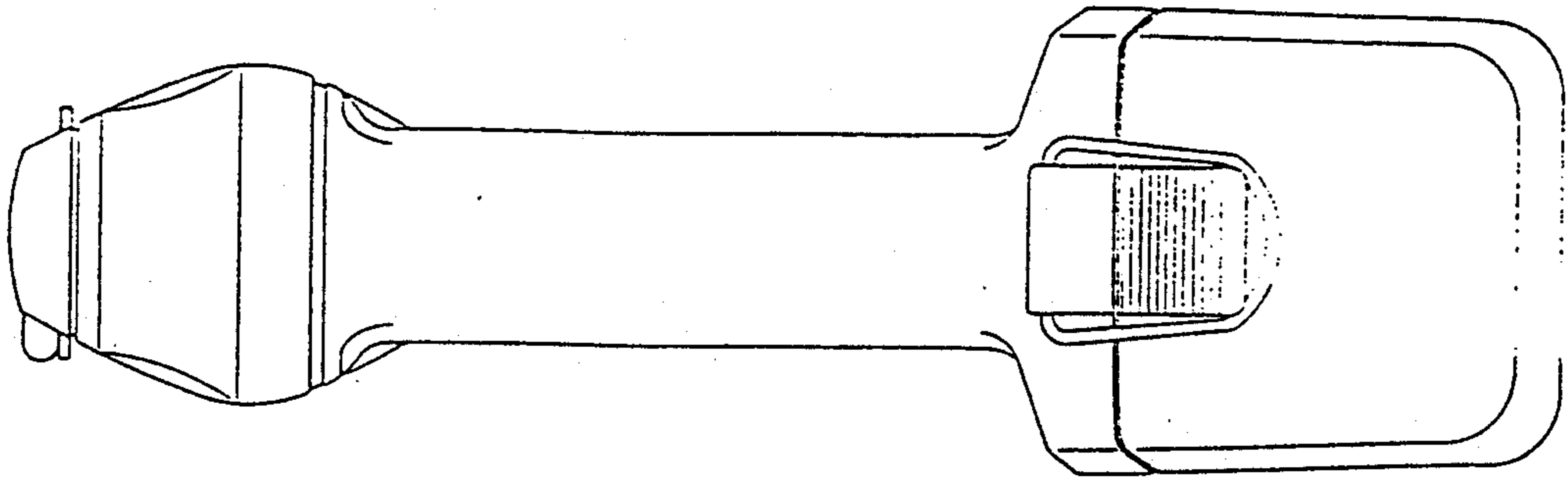


FIGURE 4

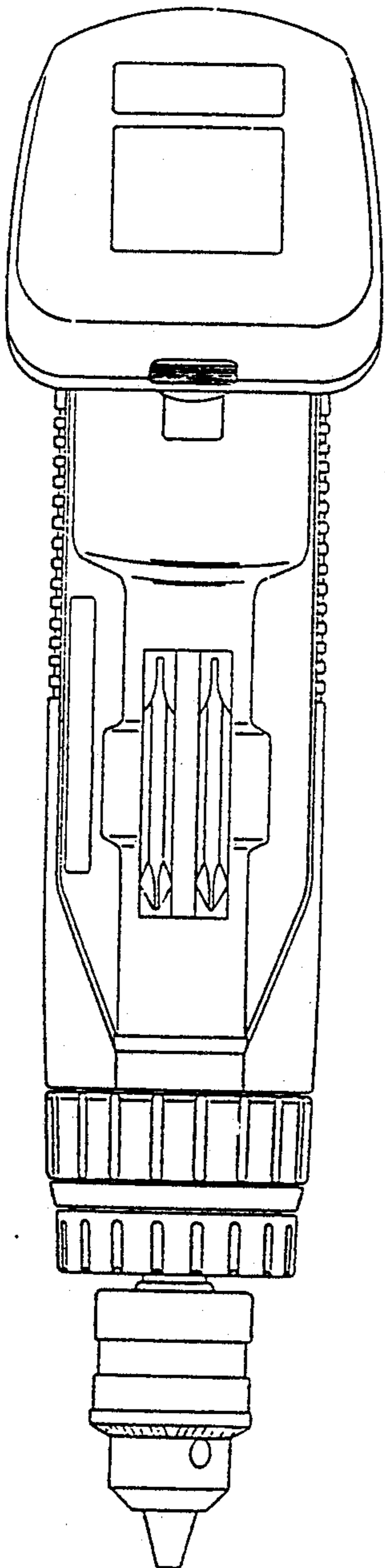


FIGURE 6

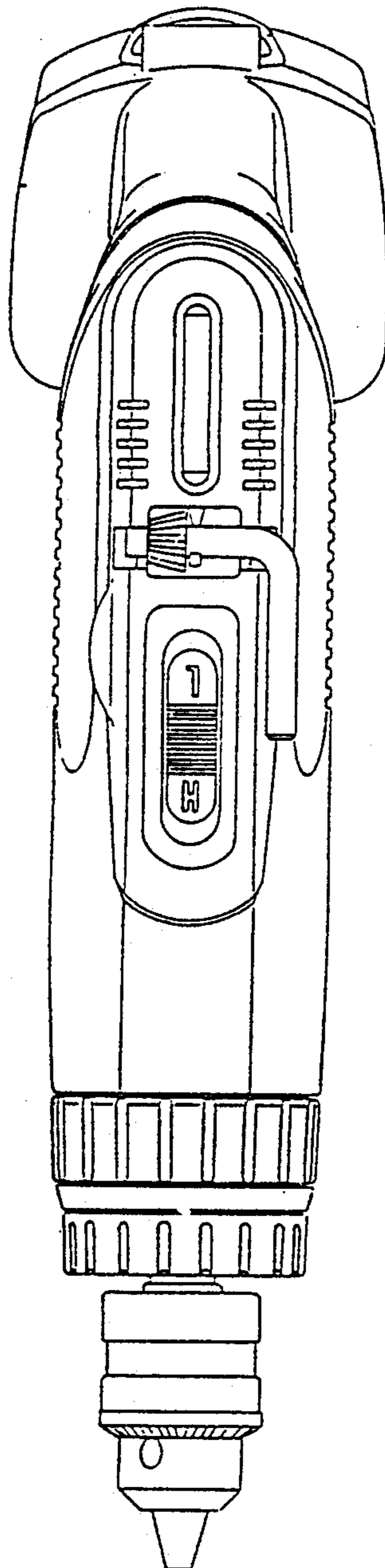


FIGURE 5