



US00D337709S

# United States Patent [19]

Ogawa et al.

[11] Patent Number: **Des. 337,709**

[45] Date of Patent: **\*\* Jul. 27, 1993**

[54] JIG SAW

D. 297,401 8/1988 Clowers ..... D8/64

[75] Inventors: **Yasunori Ogawa, Mito; Taiichi Kumasaka; Takayuki Suzuki**, both of Katsuta, all of Japan

[73] Assignee: **Hitachi Koki Company Limited**, Tokyo, Japan

[\*\*] Term: **14 Years**

[21] Appl. No.: **728,064**

[22] Filed: **Jul. 10, 1991**

### [30] Foreign Application Priority Data

Jan. 11, 1991 [JP] Japan ..... 3-373

[52] U.S. Cl. .... **D8/64**

[58] Field of Search ..... **D8/61, 64, 69; 30/272, 30/273, 392, 393, 394**

### [56] References Cited

#### U.S. PATENT DOCUMENTS

D. 282,625 2/1986 Schultz et al. .... D8/64  
D. 297,208 8/1988 Somers ..... D8/64

### OTHER PUBLICATIONS

German Magazine "SELBST", pp. 42-45, 48 and 49, Nov. 1990; p. 72, Dec. 1990; pp. 54 and 55, Feb. 1991; pp. 88 and 89, May 1991.

*Primary Examiner*—Nelson C. Holtje  
*Assistant Examiner*—J. H. Musgrove  
*Attorney, Agent, or Firm*—Lowe, Price, LeBlanc & Becker

### [57] CLAIM

The ornamental design for a jig saw, as shown.

### DESCRIPTION

FIG. 1 is a front perspective view of a jig saw showing our new design;  
FIG. 2 is a front elevational view thereof;  
FIG. 3 is a rear elevational view thereof;  
FIG. 4 is a top plan view thereof;  
FIG. 5 is a bottom plan view thereof;  
FIG. 6 is a right side elevational view thereof; and,  
FIG. 7 is a left side elevational view thereof.

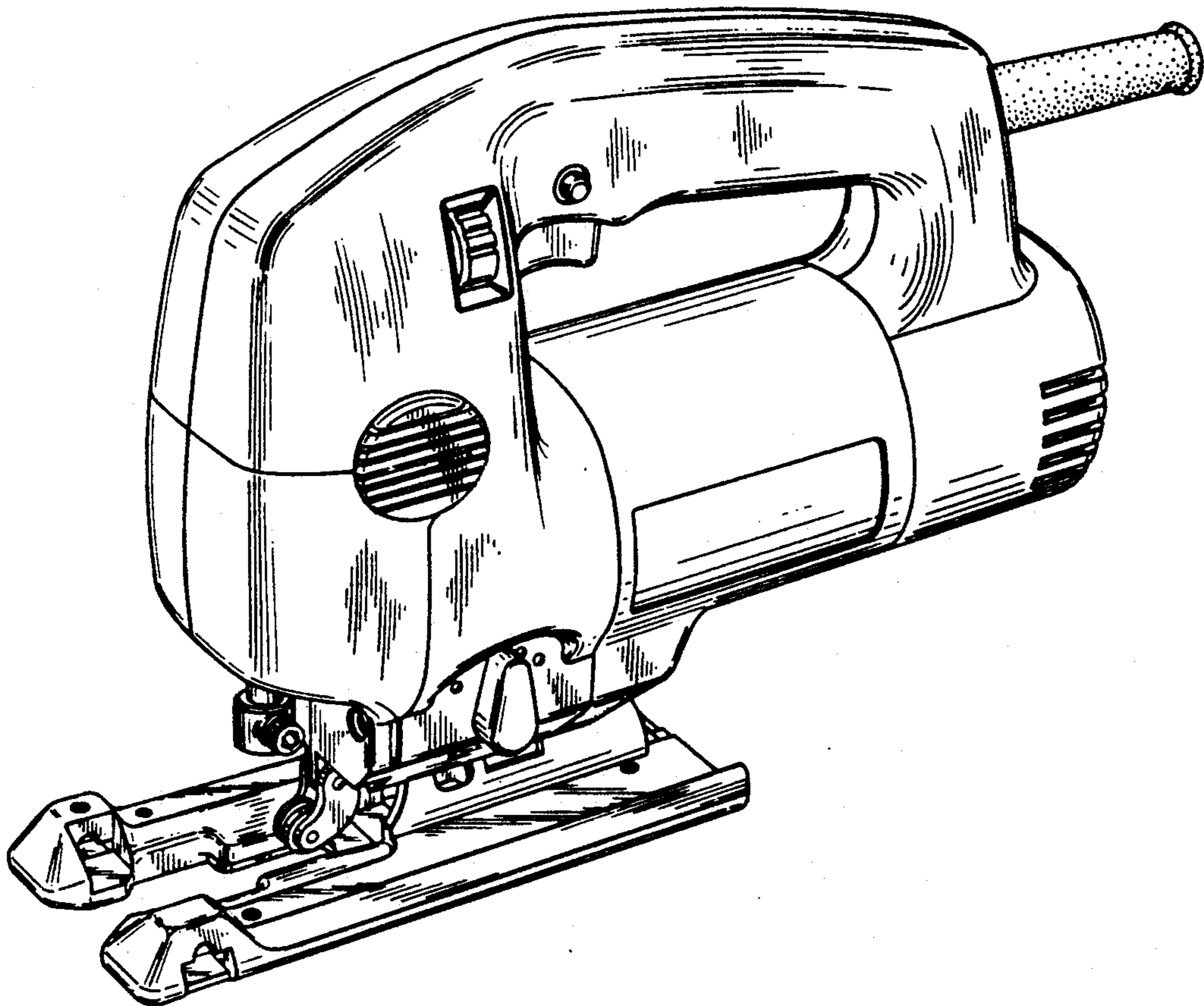


FIG. 1

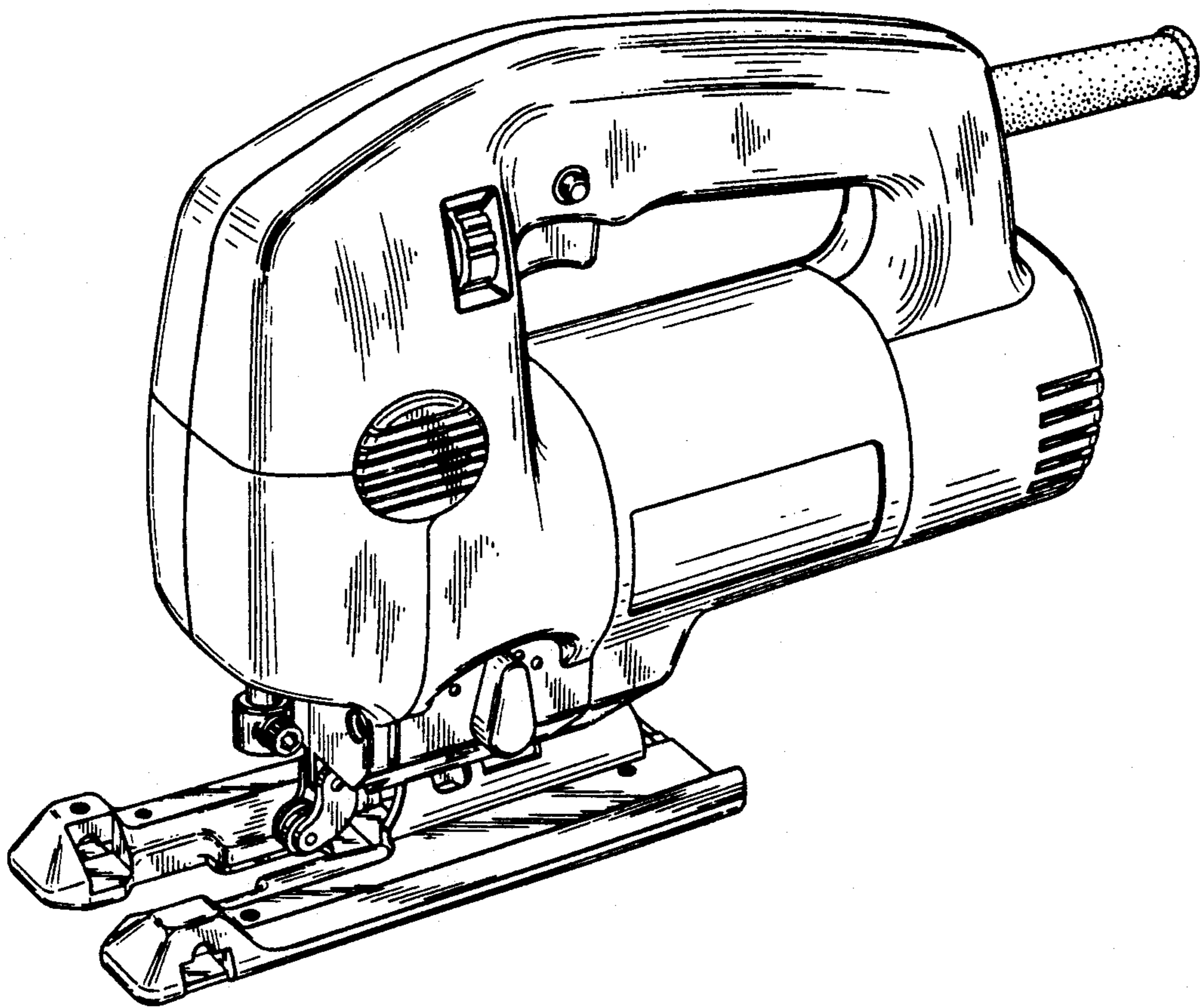


FIG. 2

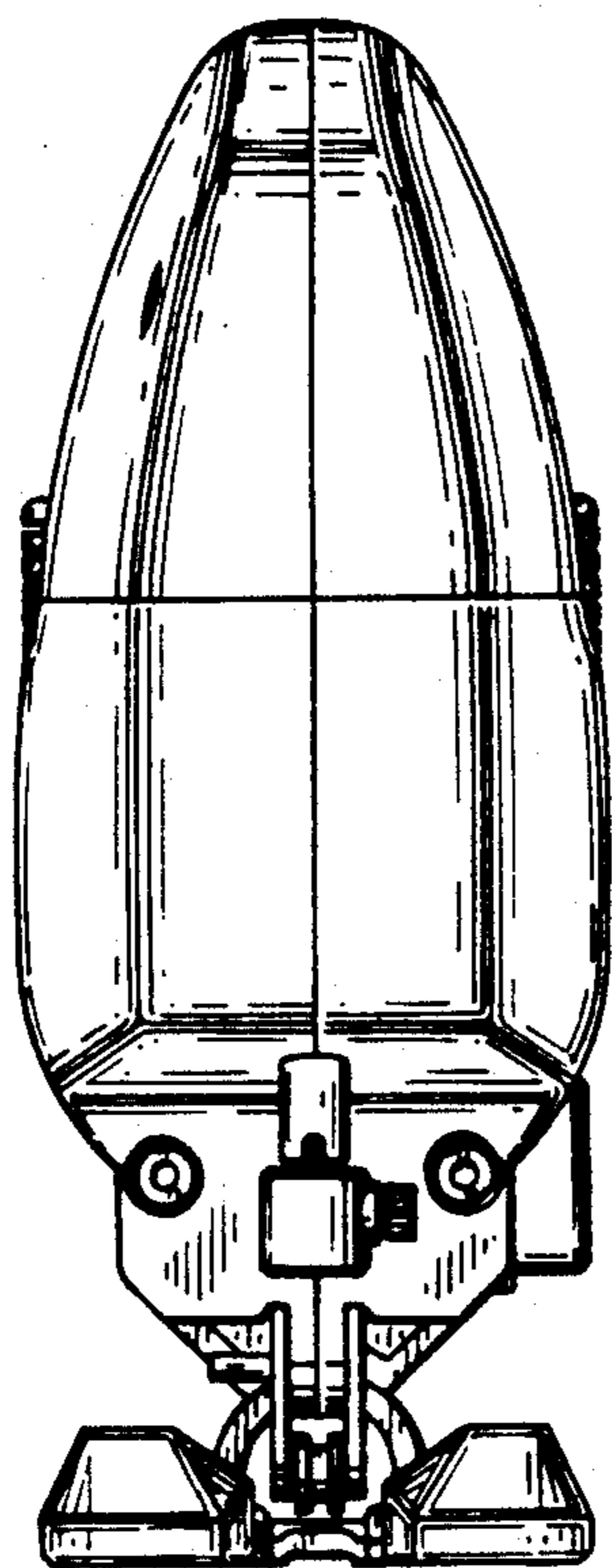


FIG. 3

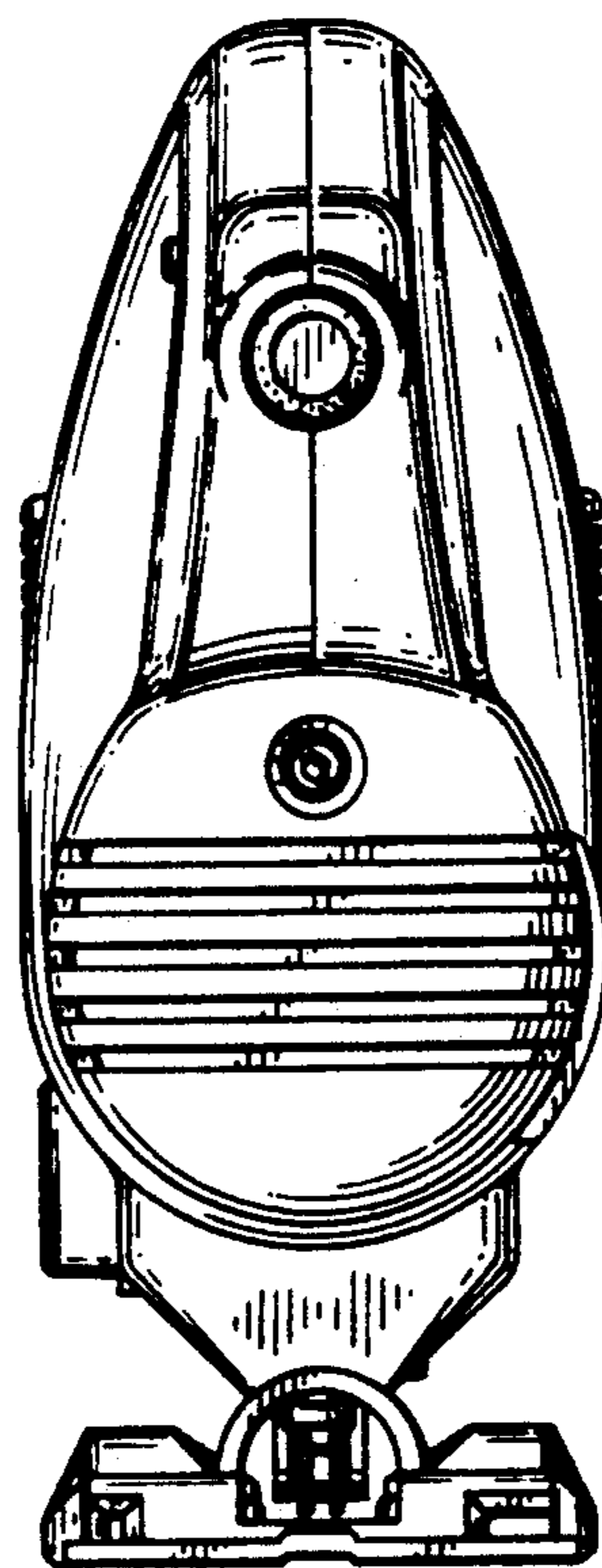


FIG. 4

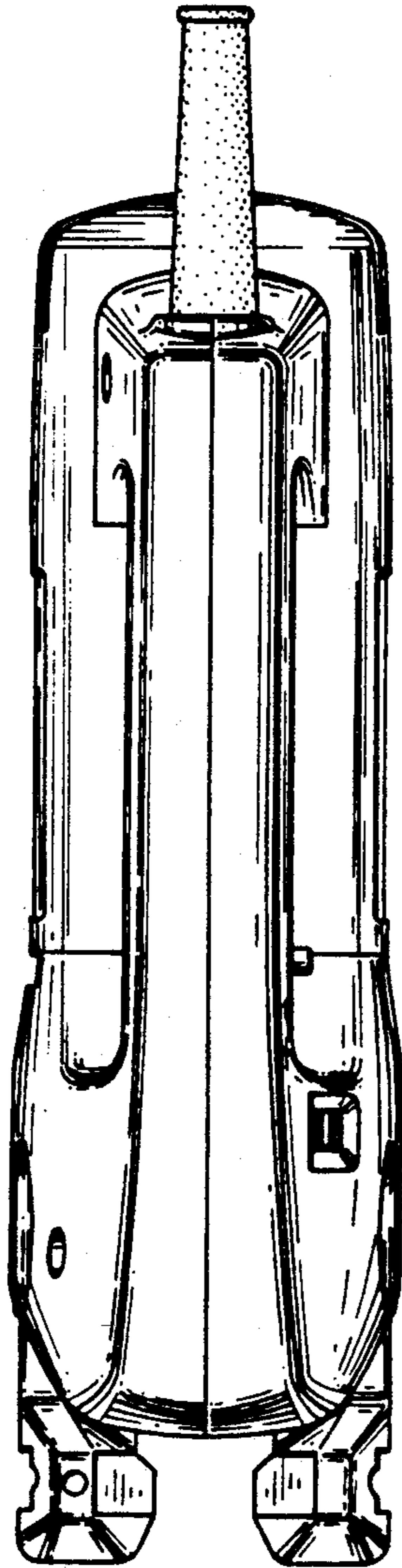


FIG. 5

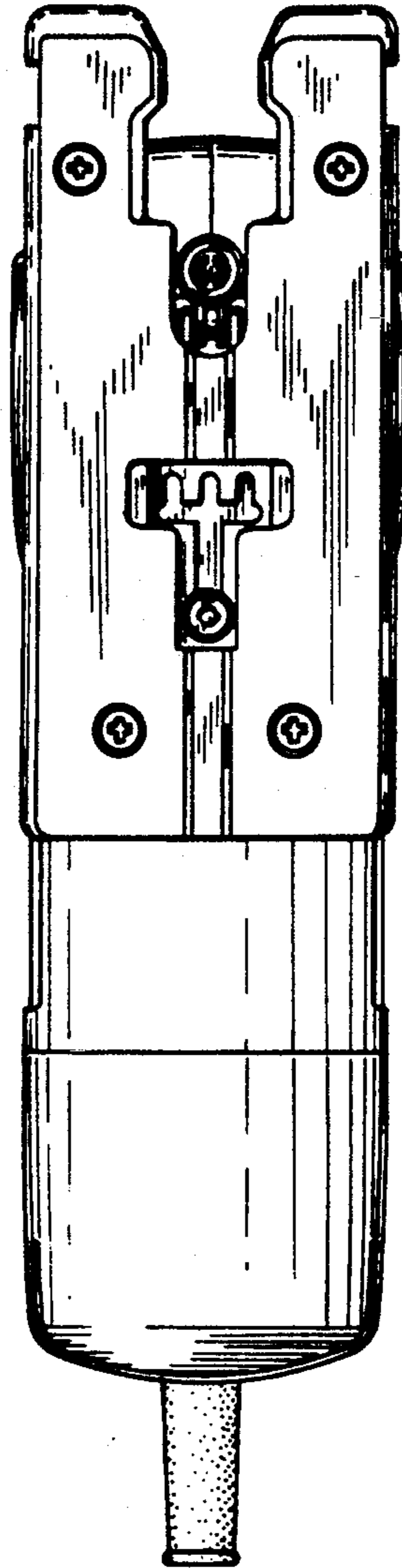


FIG. 6

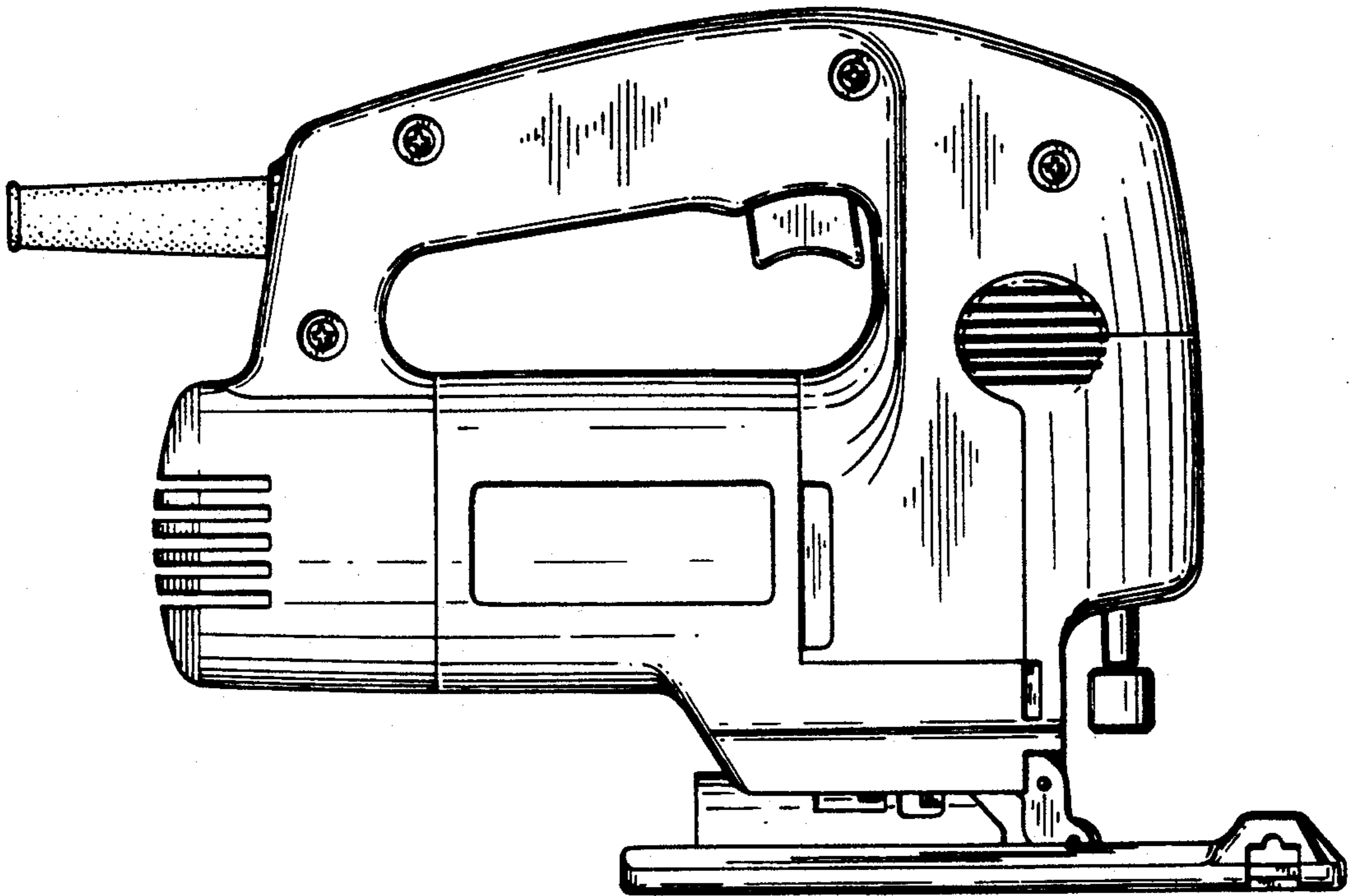


FIG. 7

