



US00D337704S

United States Patent [19]

[11] Patent Number: **Des. 337,704**

So

[45] Date of Patent: **** Jul. 27, 1993**

[54] GRATING TOOL

[75] Inventor: **Shun So, Kowloon, Hong Kong**

[73] Assignee: **Ki Mee Metal & Plastic Factory Limited, Hong Kong**

[**] Term: **14 Years**

[21] Appl. No.: **634,294**

[22] Filed: **Dec. 27, 1990**

[30] Foreign Application Priority Data

Oct. 5, 1990 [GB]	United Kingdom	2010070
[52] U.S. Cl.		D7/678
[58] Field of Search	D7/678, 669, 381, 385;	
	241/95, 100, 168, 273.1-273.4	

[56] References Cited

U.S. PATENT DOCUMENTS

D. 167,270	7/1952	Marcus	D7/678
4,212,431	7/1980	Doyel	241/273.1 X
4,928,893	5/1990	Prindle	241/273.2 X

OTHER PUBLICATIONS

Signatures, Jan. 13, 1992, grater.
HKE, May, 1981, p. 387, grater, bottom, right corner.

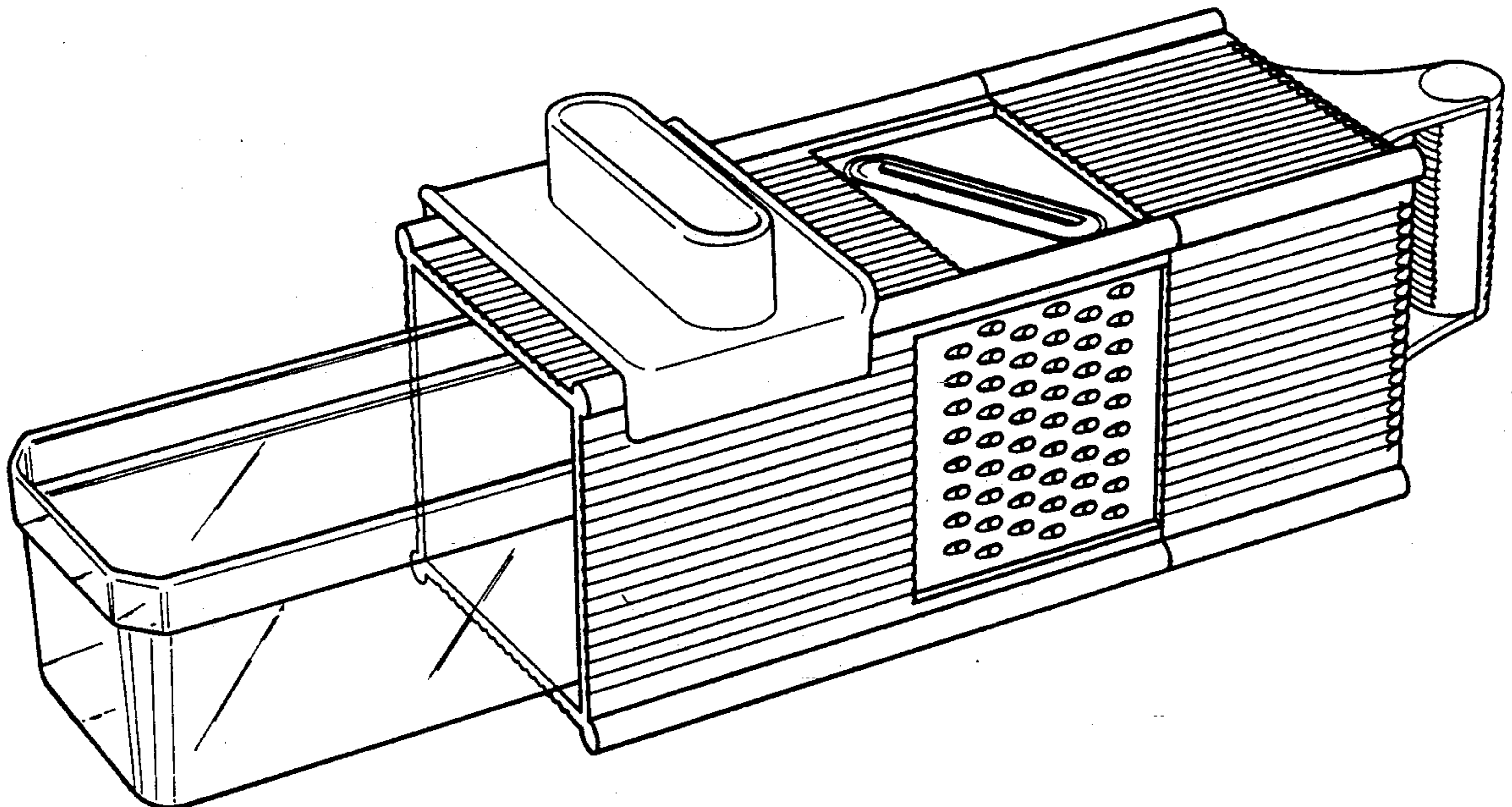
Primary Examiner—Terry A. Pfeffer
Attorney, Agent, or Firm—Wood, Herron & Evans

[57] CLAIM

The ornamental design for a grating tool, as shown and described.

DESCRIPTION

FIG. 1 is a right side elevational view of a grating tool showing my new design;
 FIG. 2 is a top plan view thereof;
 FIG. 3 is a front elevational view thereof;
 FIG. 4 is a rear elevational view thereof;
 FIG. 5 is a top, front, right side perspective view thereof in an alternate position;
 FIG. 6 is a left side elevational view thereof in an alternate position;
 FIG. 7 is a bottom plan view thereof in an alternate position; and,
 FIG. 8 is a top plan view thereof in an alternate position.



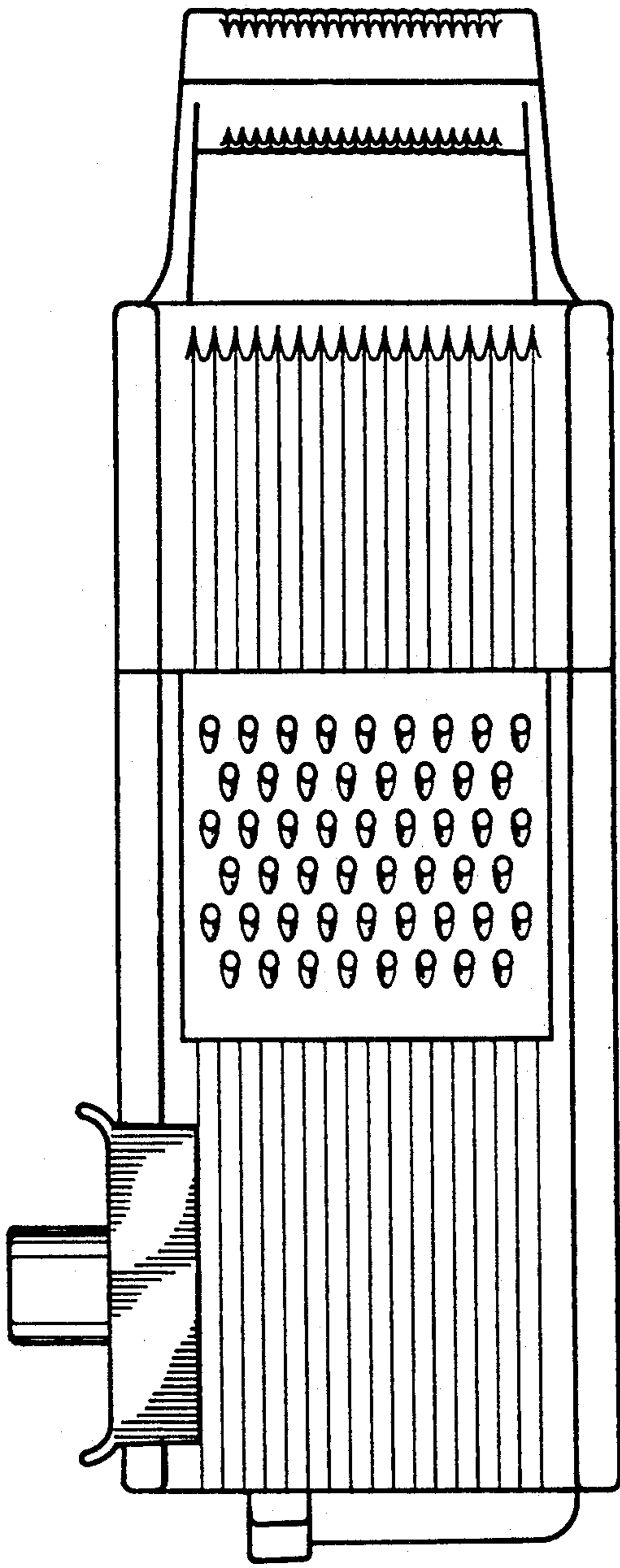


FIG. 1

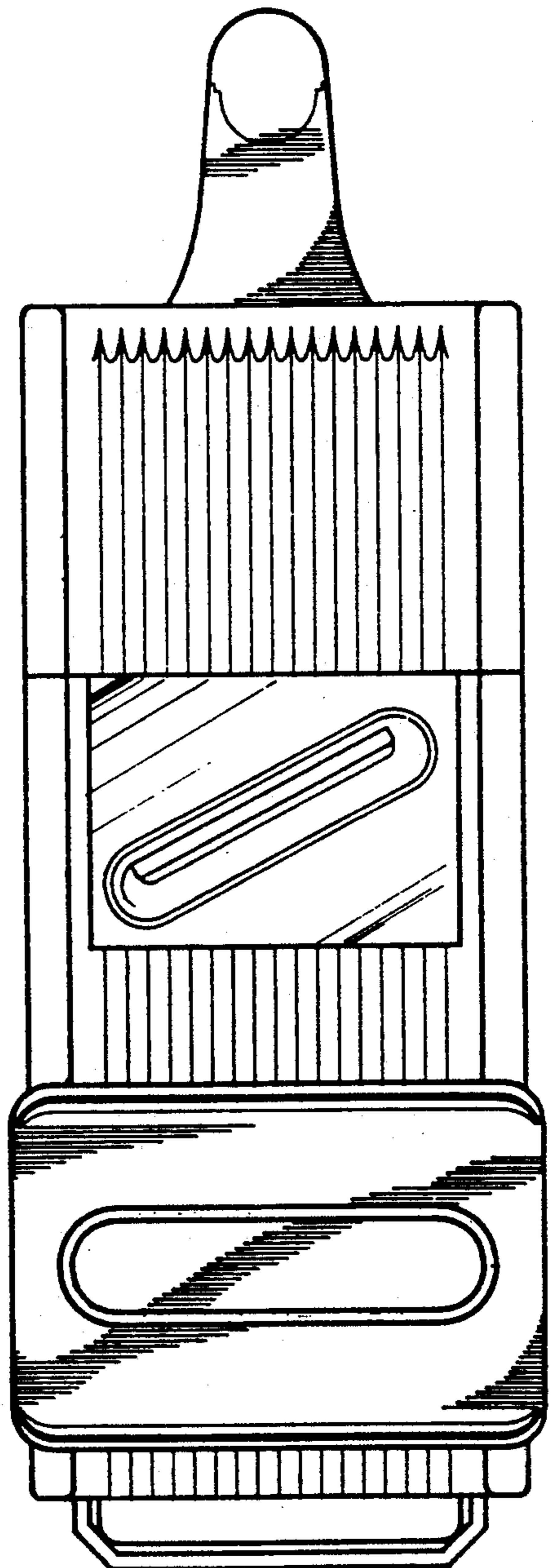


FIG. 2

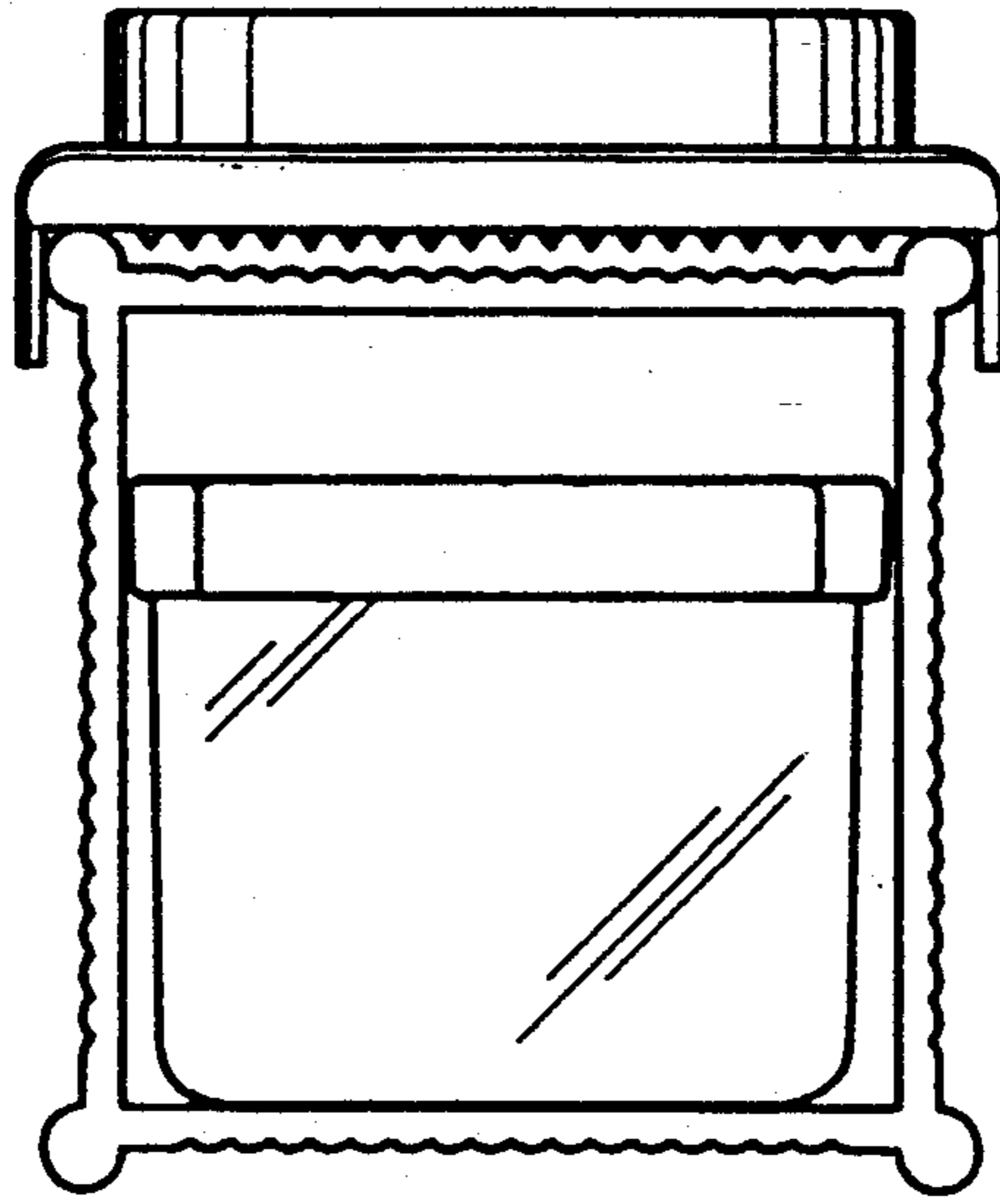


FIG. 3

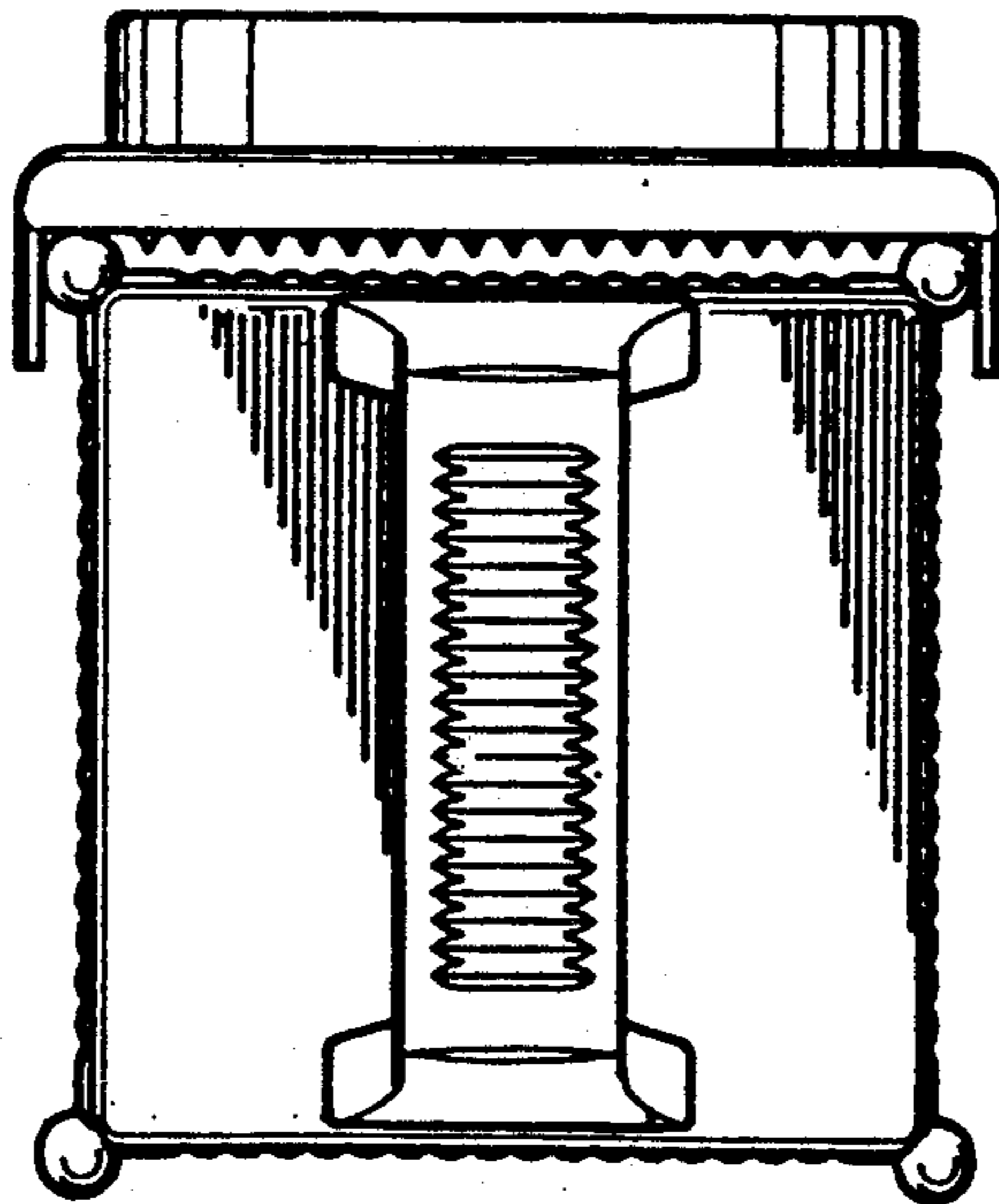


FIG. 4

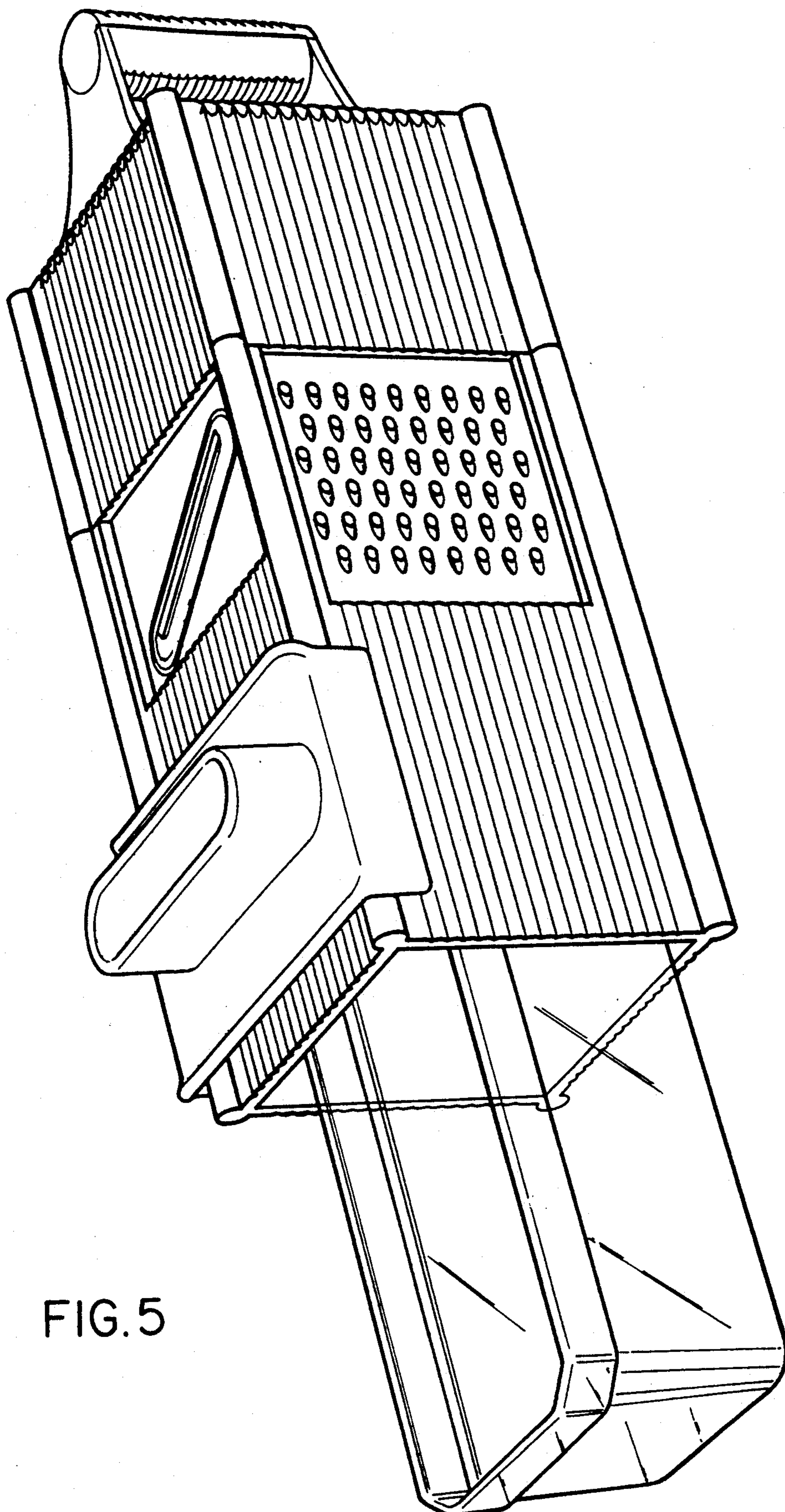


FIG. 5

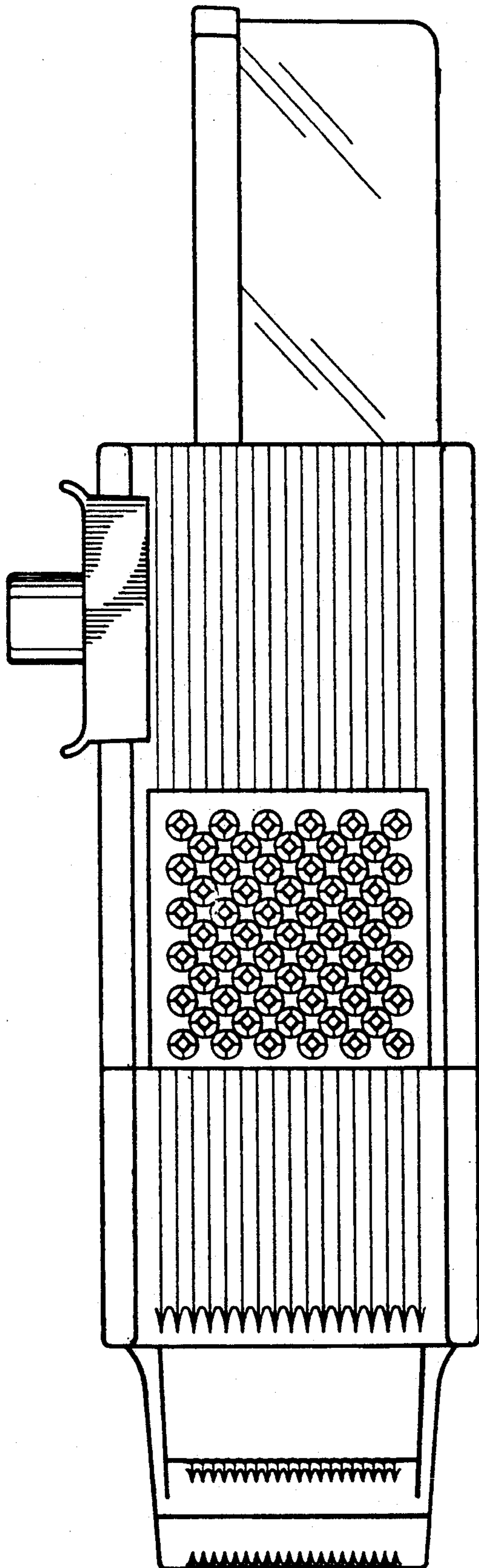


FIG. 6

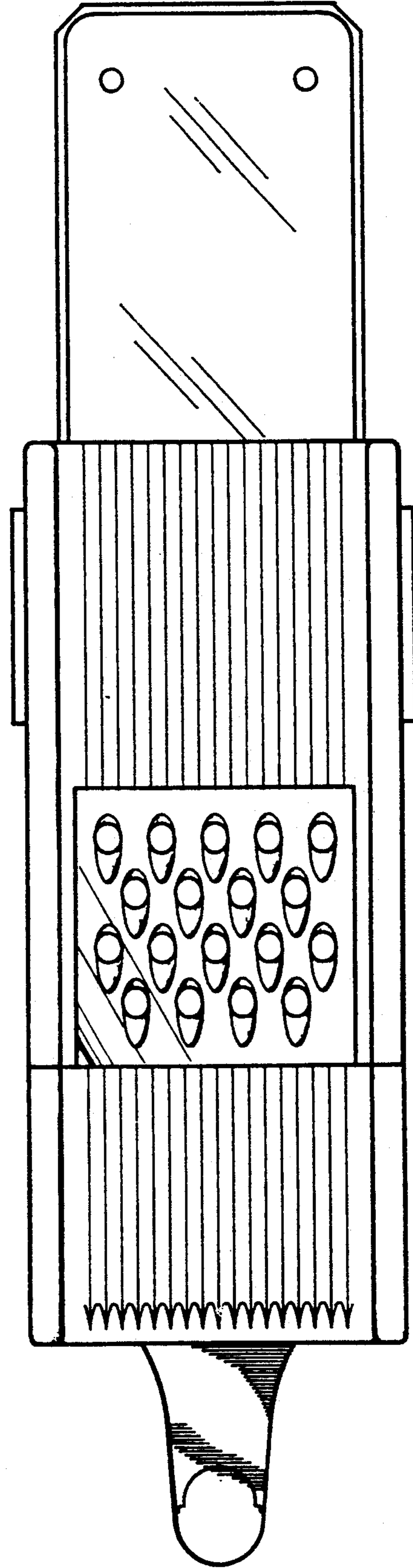


FIG. 7

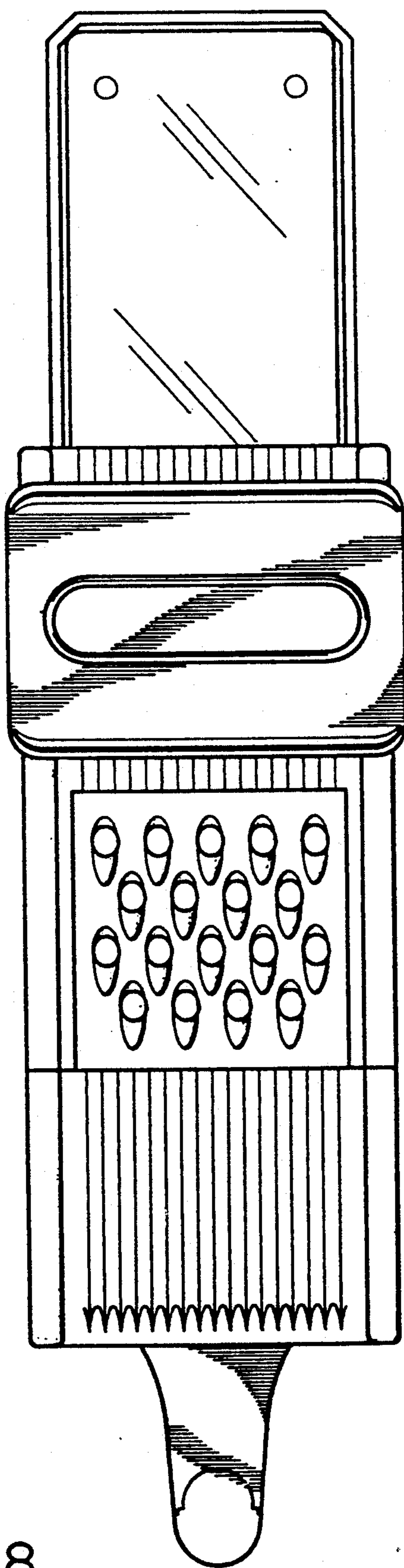


FIG. 8