



US00D337700S

United States Patent [19]

[11] Patent Number: **Des. 337,700**

Lin

[45] Date of Patent: **** Jul. 27, 1993**

[54] **LOCOMOTIVE-SHAPE OF LUNCH BOX**

D. 303,602 9/1989 Barron D7/626
D. 318,880 8/1991 Cheung et al. D21/129 X

[76] Inventor: **Cheng-Tai Lin**, 3F, No. 40, Min Sheng E. Road, Sec. 5, Taipei, Taiwan

Primary Examiner—Terry A. Pfeffer
Attorney, Agent, or Firm—Leonard Bloom

[**] Term: **14 Years**

[57] **CLAIM**

[21] Appl. No.: **814,928**

The ornamental design for locomotive-shape of lunch box, as shown and described.

[22] Filed: **Dec. 31, 1991**

DESCRIPTION

[52] U.S. Cl. **D7/627; D21/129**

[58] Field of Search **D7/626; D3/30.1, 35, D3/39, 73, 76, 66; D9/308; D21/129; 206/457, 541; 220/DIG. 10**

FIG. 1 is a perspective view of locomotive-shape of lunch box showing my new design:

FIG. 2 is a right elevational view thereof;

FIG. 3 is left elevational view thereof;

FIG. 4 is a front elevational view thereof;

FIG. 5 is a rear elevational view thereof;

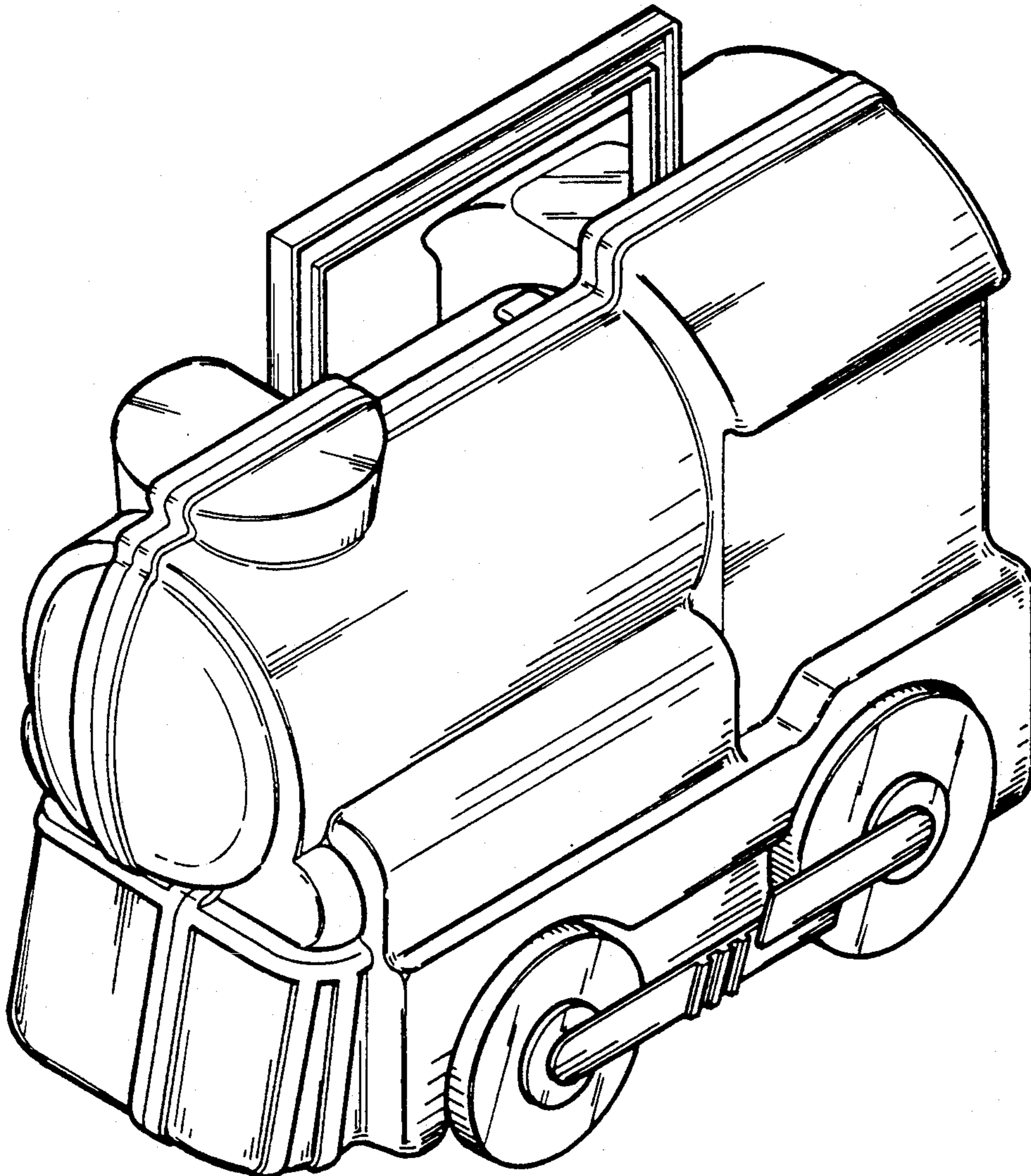
FIG. 6 is a top plan view thereof; and,

FIG. 7 is a bottom view thereof.

[56] **References Cited**

U.S. PATENT DOCUMENTS

D. 289,537 4/1987 Leung D21/129



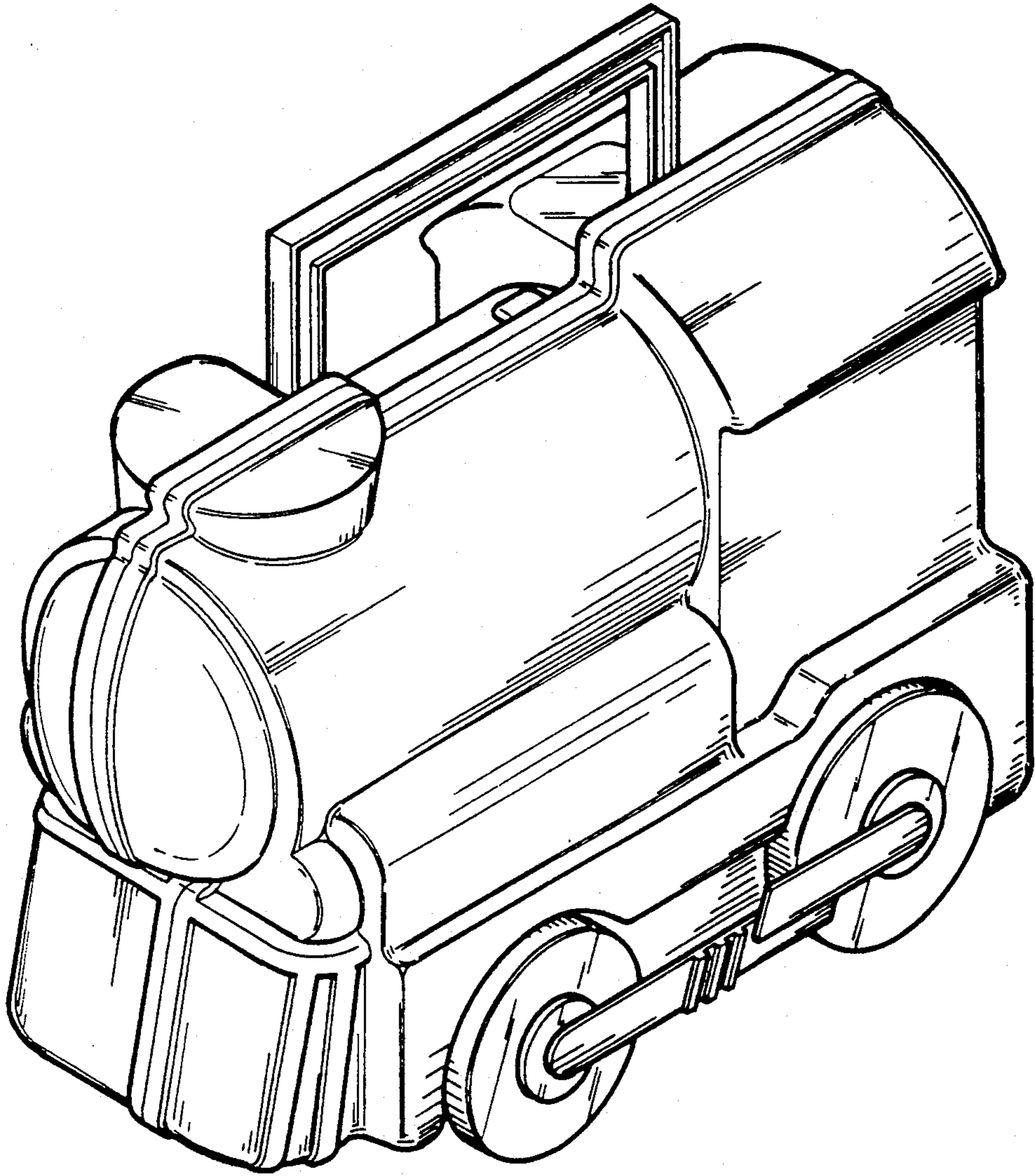


FIG 1

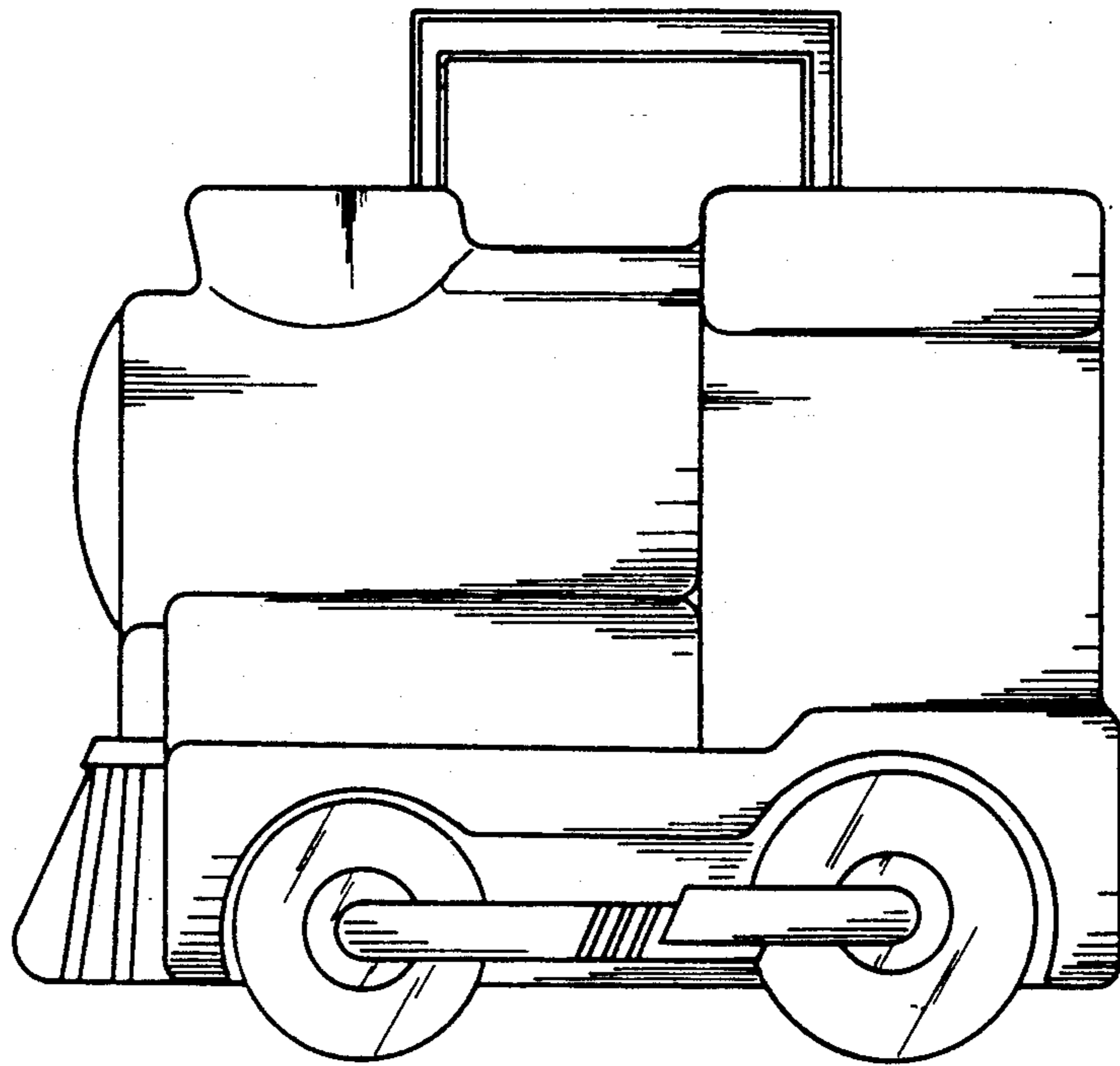


FIG 2

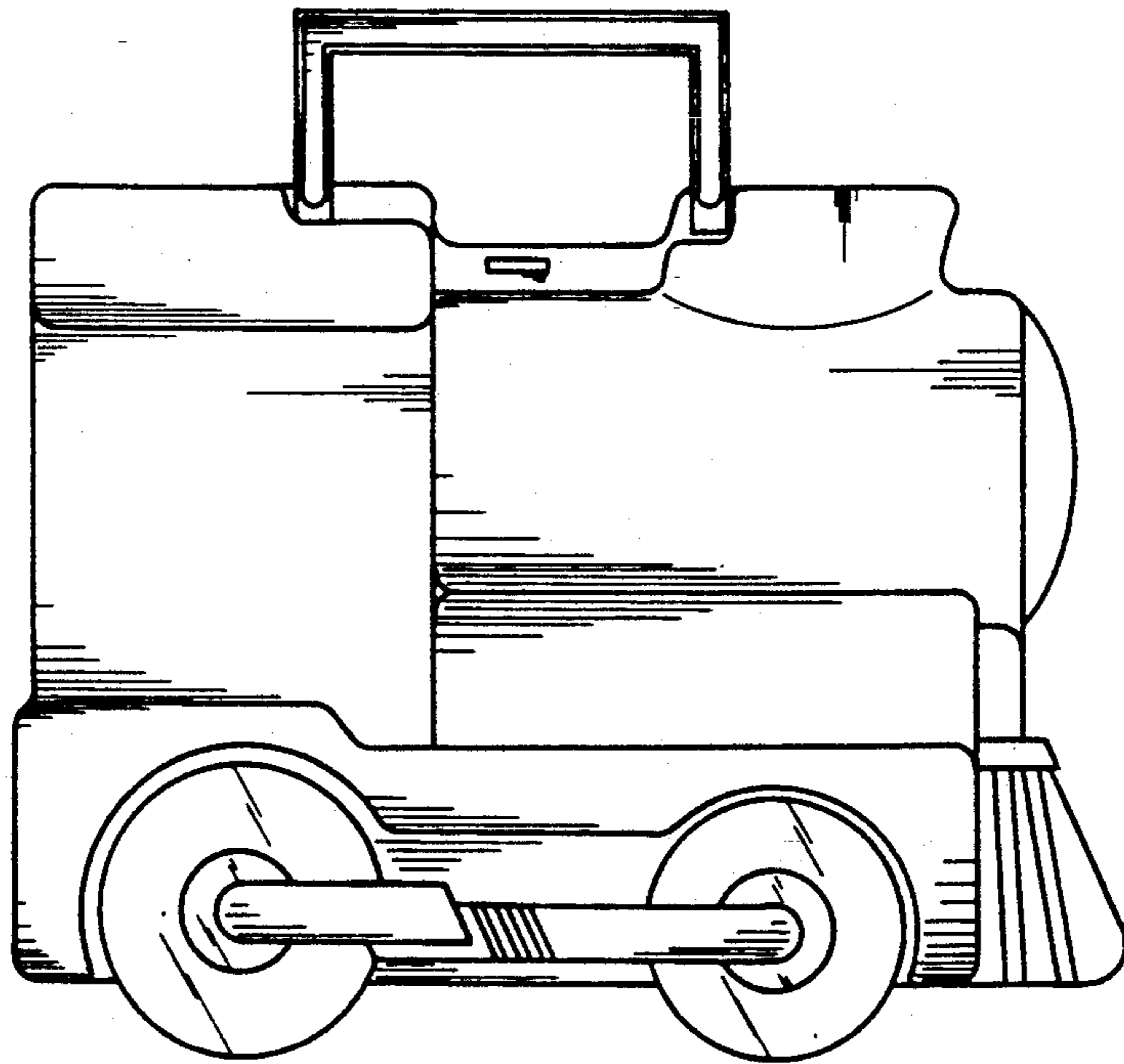


FIG 3

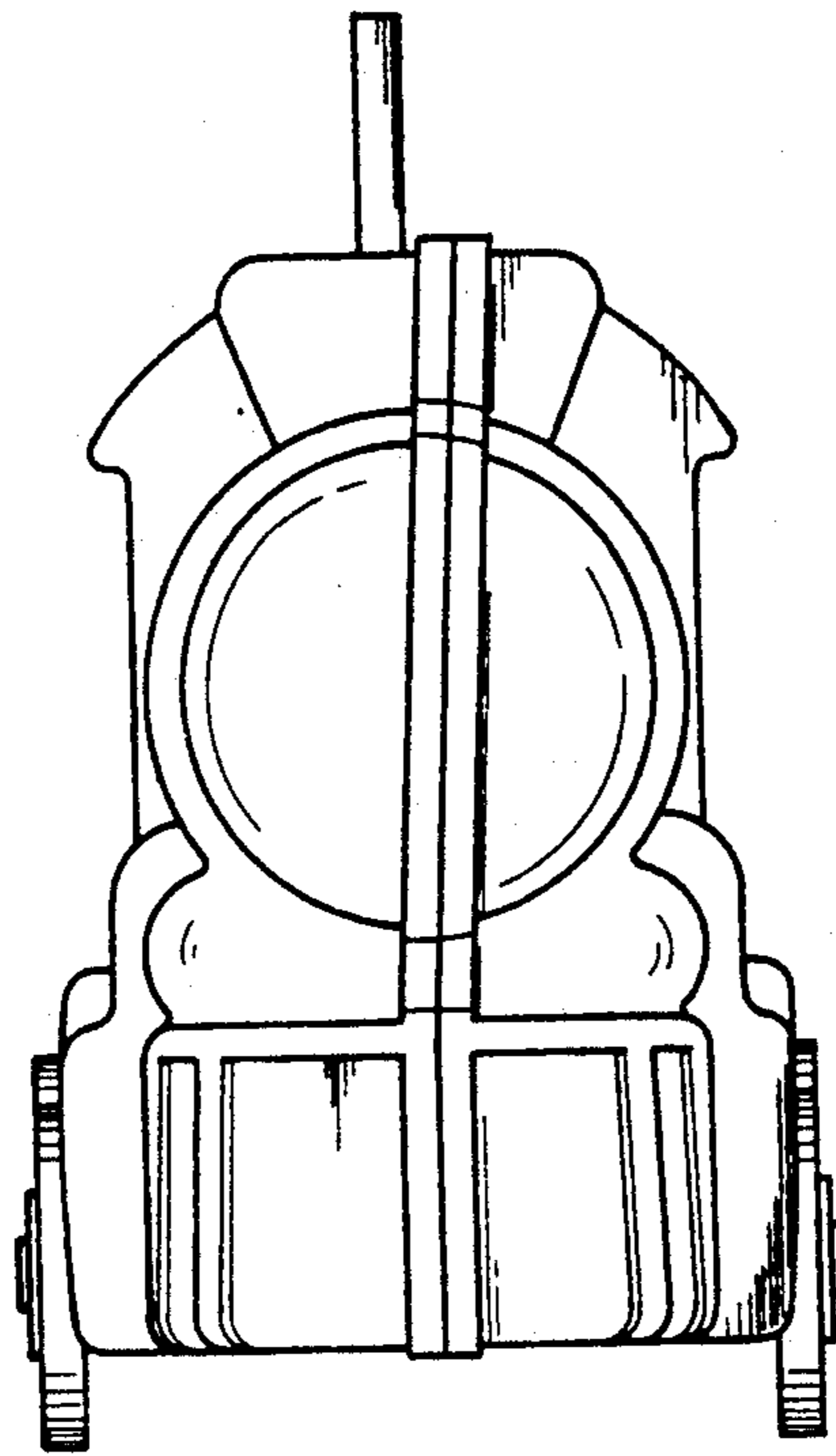


FIG 4

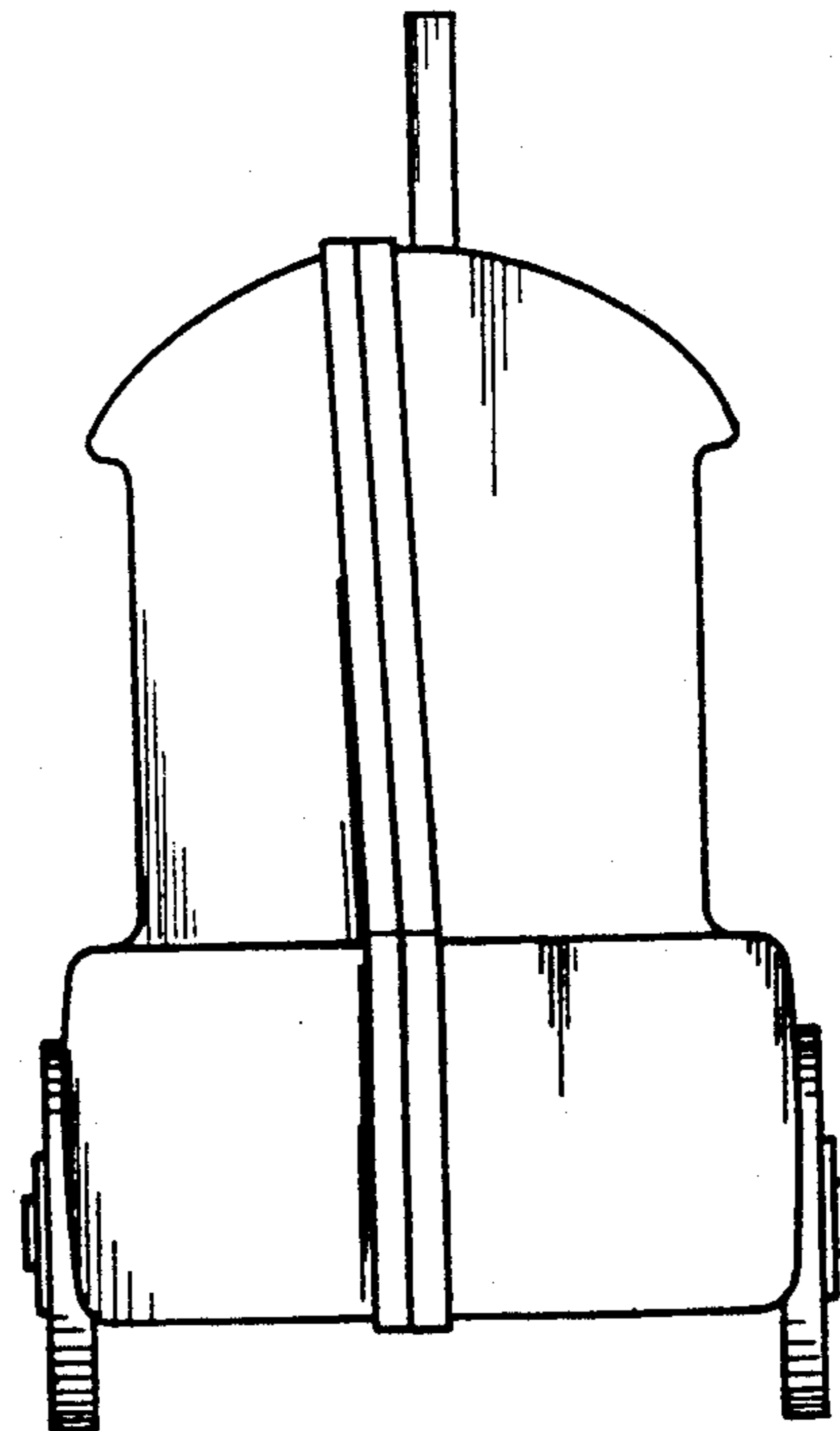


FIG 5

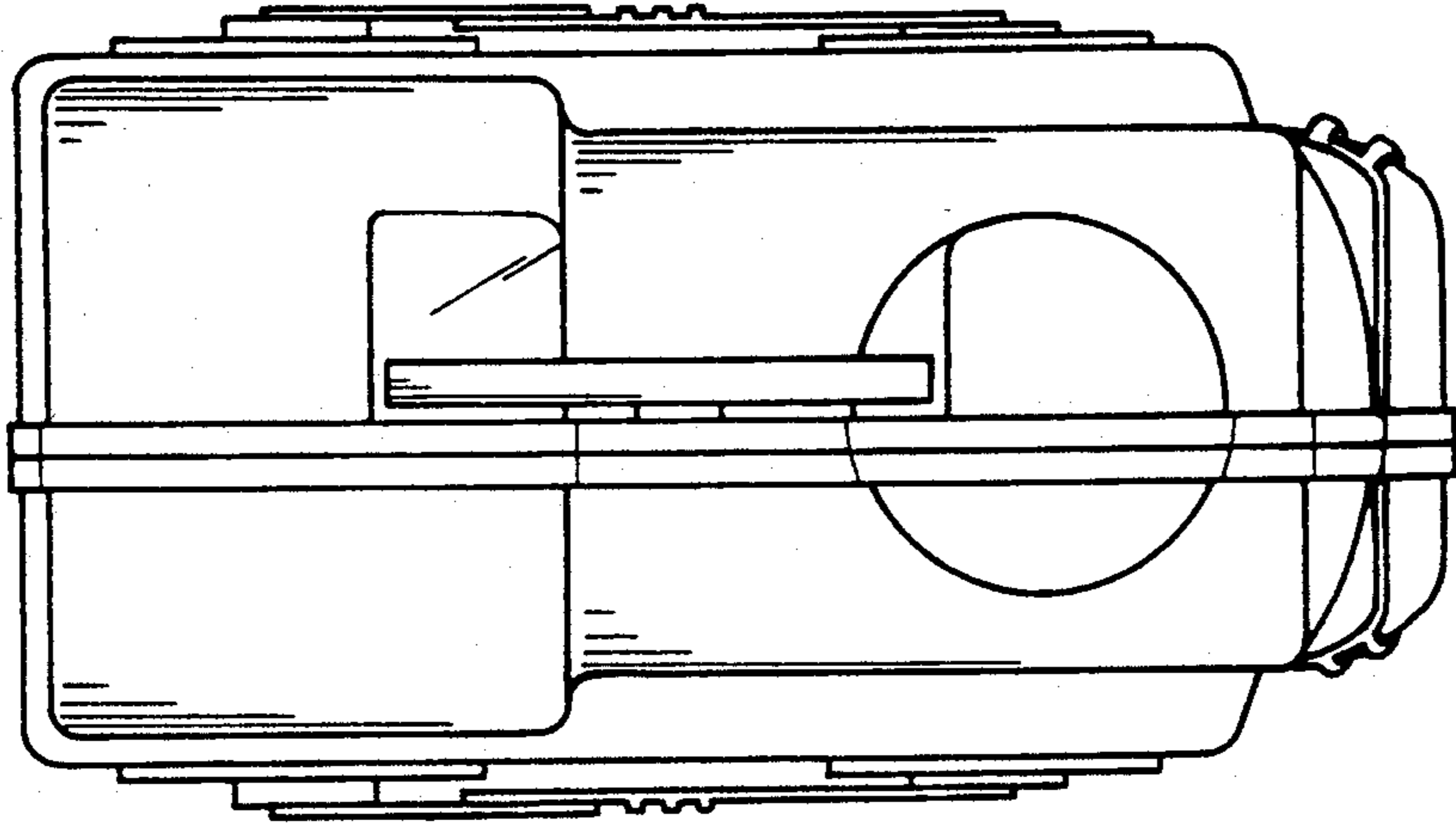


FIG 6

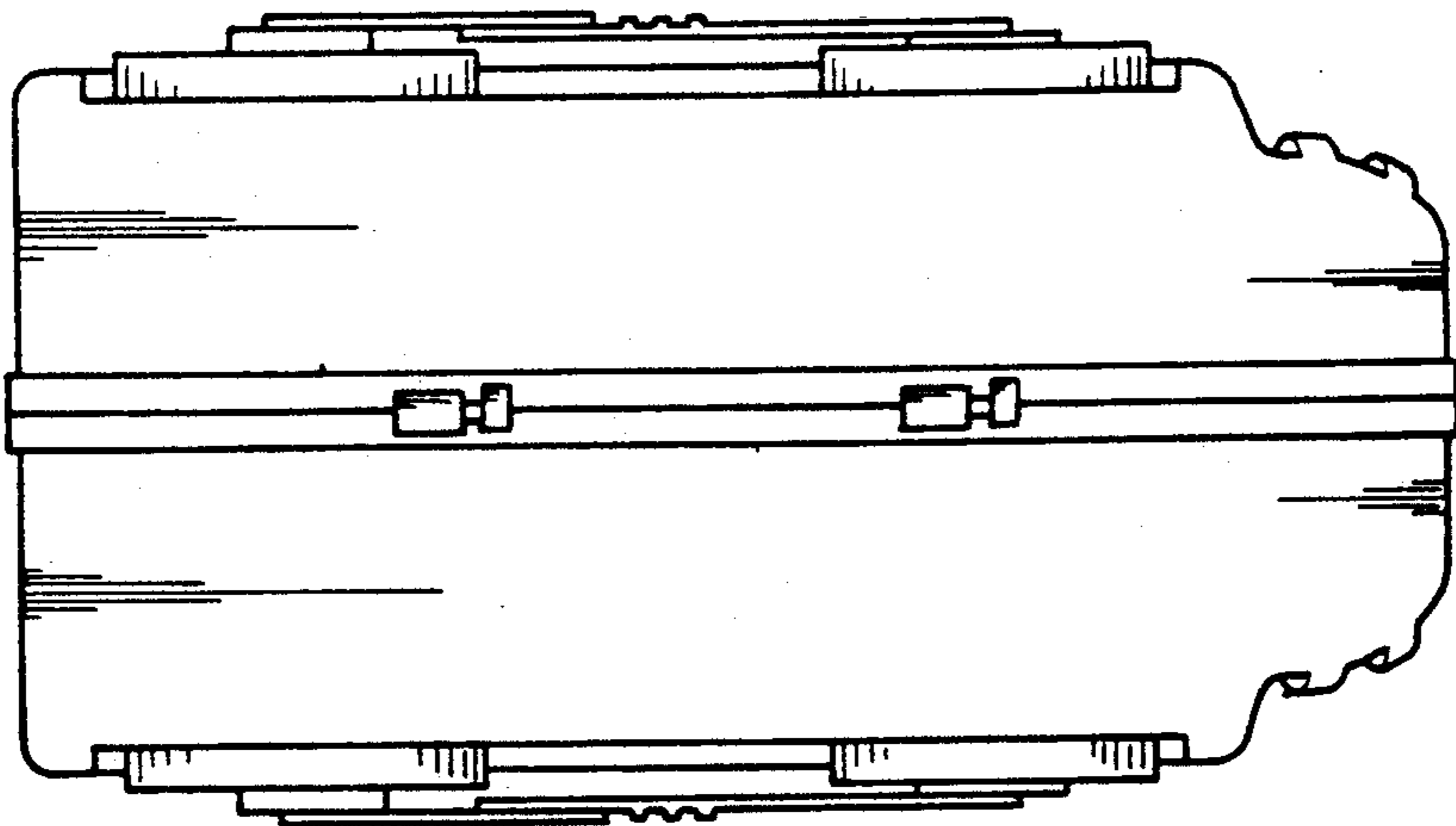


FIG 7