



US00D337699S

United States Patent [19]

Espersen

[11] Patent Number: **Des. 337,699**

[45] Date of Patent: **** Jul. 27, 1993**

[54] **COOLING DISPLAY CONTAINER**

[75] Inventor: **Lasse L. Espersen, Aars, Denmark**

[73] Assignee: **Maskin Fabrikken Derby AS, Aalestrup, Denmark**

[**] Term: **14 Years**

[21] Appl. No.: **795,632**

[22] Filed: **Nov. 21, 1991**

[30] **Foreign Application Priority Data**

May 21, 1991 [DK] Denmark 0526/91

[52] U.S. Cl. **D7/605; D15/83**

[58] Field of Search **D7/605-608; D6/436; D15/83; 62/457.1, 457.6, 457.7, 246-251**

[56] **References Cited**

U.S. PATENT DOCUMENTS

569,788 10/1896 Holmes D15/83 X

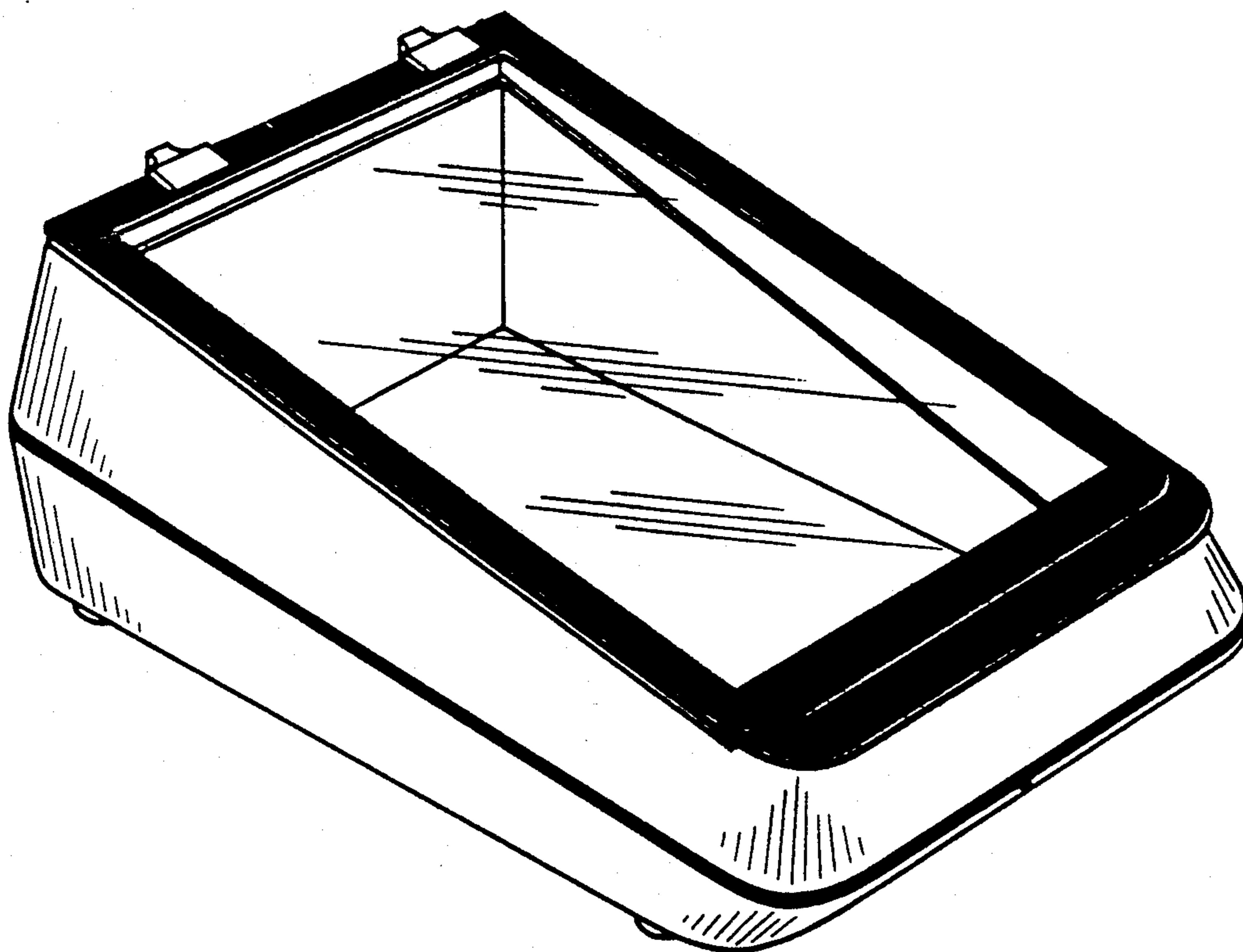
Primary Examiner—Terry A. Pfeffer
Attorney, Agent, or Firm—Merchant & Gould, Smith, Edell, Welter & Schmidt

[57] **CLAIM**

The ornamental design for a cooling display container, as shown and described.

DESCRIPTION

FIG. 1 is a top, front perspective view of the cooling display container showing my new design; FIG. 2 is a bottom, rear perspective view thereof; and, FIG. 3 is a top, front perspective view thereof in an open position.



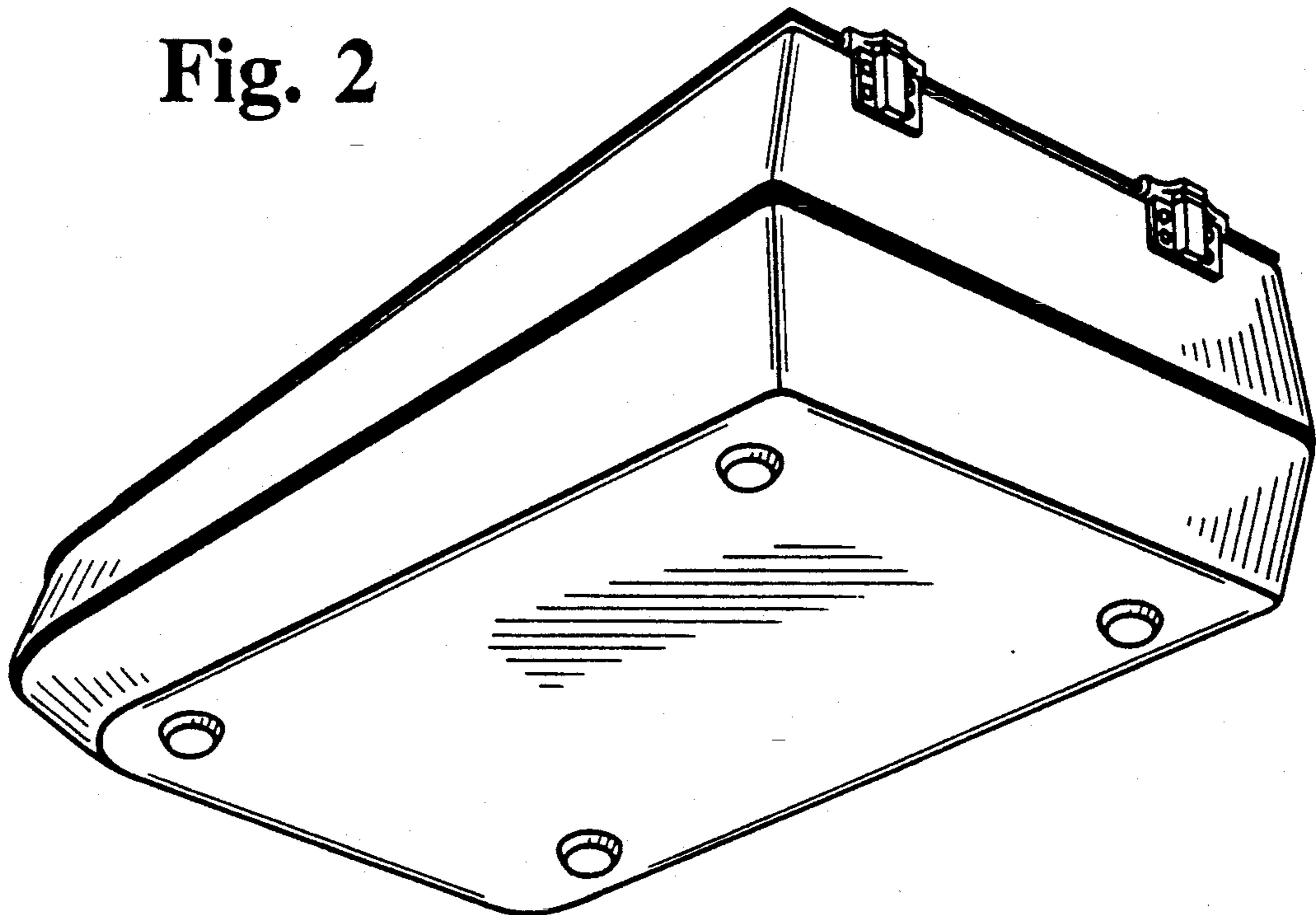
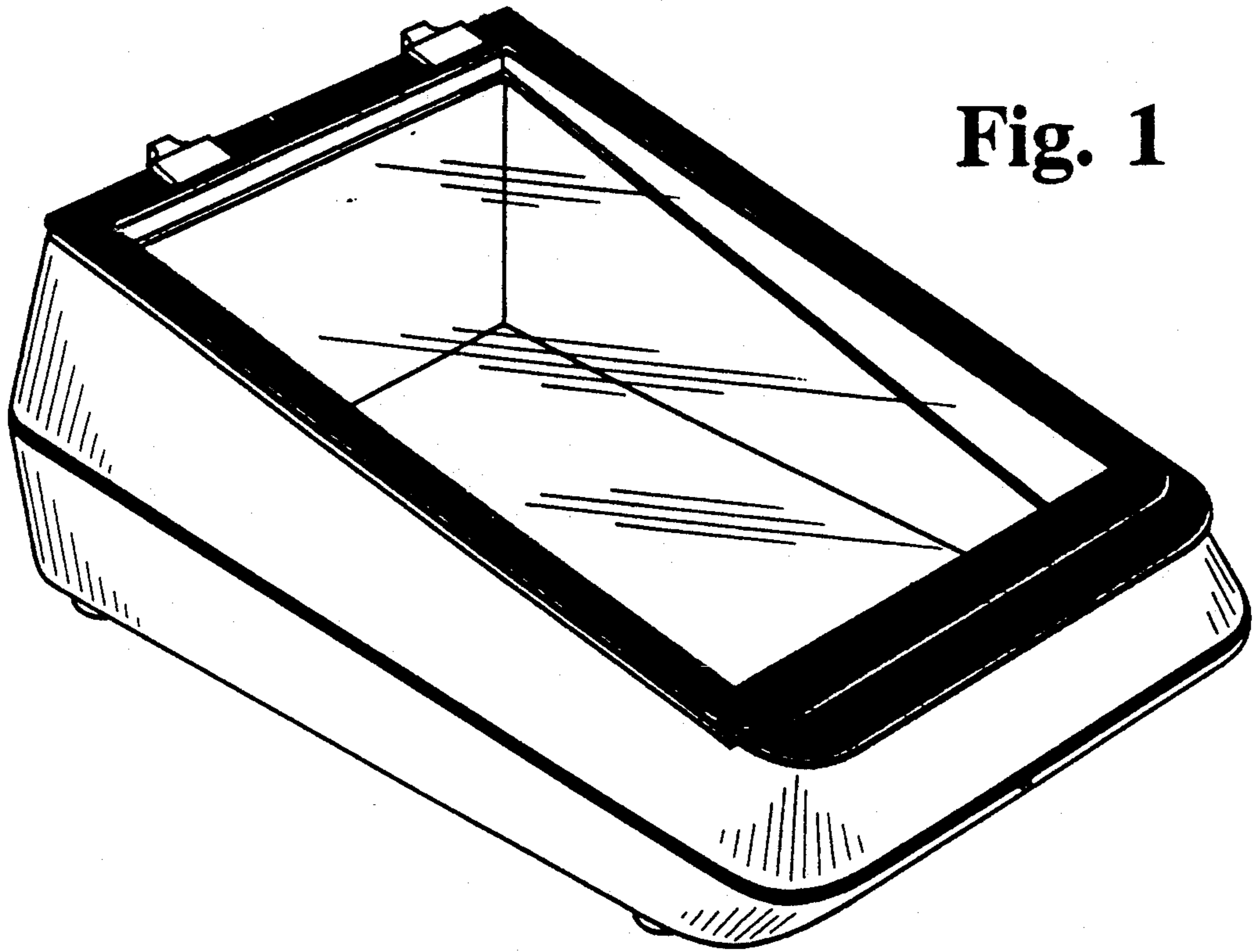


Fig. 3

