



US00D337693S

# United States Patent [19]

[11] Patent Number: **Des. 337,693**

**Segati**

[45] Date of Patent: **\*\* Jul. 27, 1993**

[54] **CONTAINER CLOSURE**

[75] Inventor: **Umberto D. I. Segati, Brussels, Belgium**

[73] Assignee: **Colgate-Palmolive Company, New York, N.Y.**

[\*\*] Term: **14 Years**

[21] Appl. No.: **521,468**

[22] Filed: **May 9, 1990**

[52] U.S. Cl. .... **D7/392; D9/435**

[58] Field of Search ..... **D7/378, 392, 510, 321, D7/397; D9/435, 454, 457, 440, 447, 448; 222/569, 485, 570, 530, 566, 553, 517, 92, 147; 220/702, 697, 700; D28/13**

[56] **References Cited**

**U.S. PATENT DOCUMENTS**

D. 112,513	12/1938	Caevacho	.....	D9/454
D. 164,164	8/1951	Gossman	.....	D9/439
D. 168,190	11/1952	Robinson	.....	D9/439
D. 199,440	10/1964	Jones	.....	D9/439 X
D. 246,021	5/1976	Lawhead	.....	D9/439
D. 247,630	3/1978	Wistrand	.....	D28/13
D. 256,672	9/1980	Beck	.....	D9/454
D. 271,285	11/1983	Lauren	.....	D9/454
D. 292,674	11/1987	Morris et al.	.....	D9/439
D. 305,871	2/1990	Geiger	.....	D9/435
D. 314,915	2/1991	Thompson	.....	D9/435
1,986,741	1/1935	Moser	.....	221/147
2,066,889	1/1937	Kay	.....	222/147 X
2,512,813	6/1950	Sodders	.....	222/569
2,706,069	4/1955	Rasmussen	.....	222/570
3,124,273	3/1964	Remington et al.	.....	222/92
3,428,202	2/1969	Asmus et al.	.....	D9/454 X
3,741,447	6/1973	Miles et al.	.....	222/517

4,396,134	8/1983	Owens	.....	222/570 X
4,475,274	10/1984	Beckstrom et al.	.....	29/450
4,494,682	1/1985	Beckstrom et al.	.....	222/551
4,653,676	3/1987	Stull	.....	222/566

*Primary Examiner*—Alan P. Douglas  
*Assistant Examiner*—M. N. Pandozzi  
*Attorney, Agent, or Firm*—Richard J. Ancel; Robert C. Sullivan

[57] **CLAIM**

The ornamental design for a container closure, as shown and described.

**DESCRIPTION**

FIG. 1 is a right side elevational view of a container closure showing my new design;  
 FIG. 2 is an enlarged right side elevational view thereof;  
 FIG. 3 is a front elevational view thereof;  
 FIG. 4 is a rear elevational view thereof;  
 FIG. 5 is a side elevational view, substantially identical to FIG. 2, showing the other side thereof;  
 FIG. 6 is a top plan view thereof;  
 FIG. 7 is a bottom plan view thereof;  
 FIG. 8 is an exploded isometric view thereof;  
 FIG. 9 is a right side elevational view of a container closure showing a second embodiment of my new design, the left side being a mirror image thereof;  
 FIG. 10 is a front elevational view thereof;  
 FIG. 11 is a rear elevational view thereof;  
 FIG. 12 is a bottom plan view thereof;  
 FIG. 13 is a top plan view thereof; and,  
 FIG. 14 is an exploded isometric view thereof.

The broken line showing of a container in FIG. 1 is for illustrative purposes only and forms no part of the claimed design.

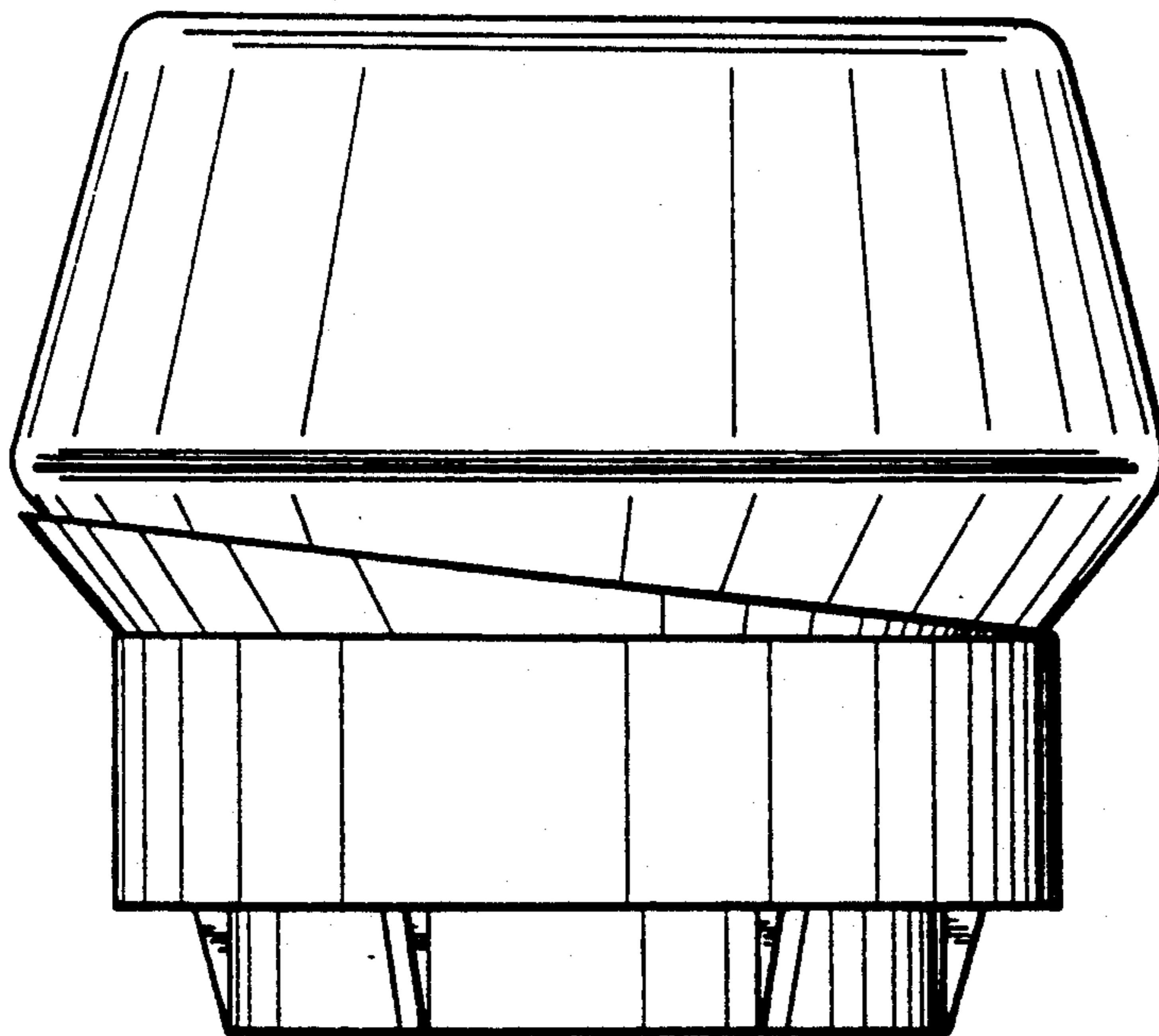
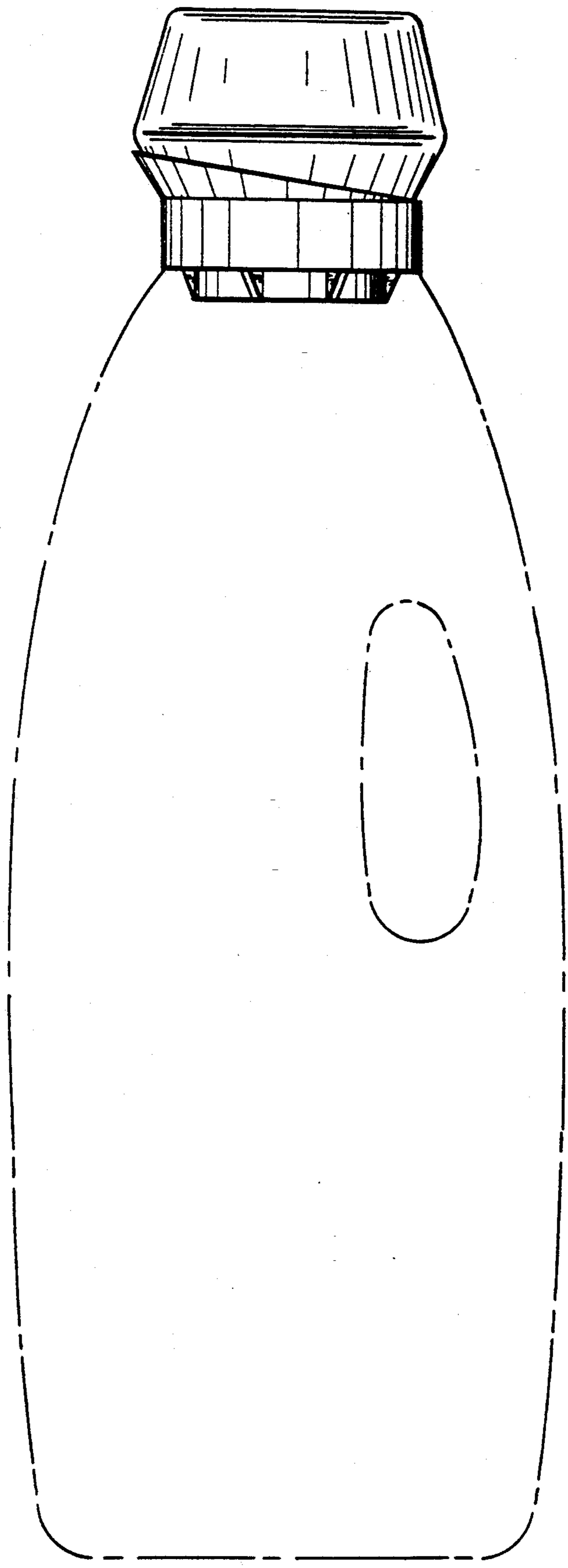


FIG. 1



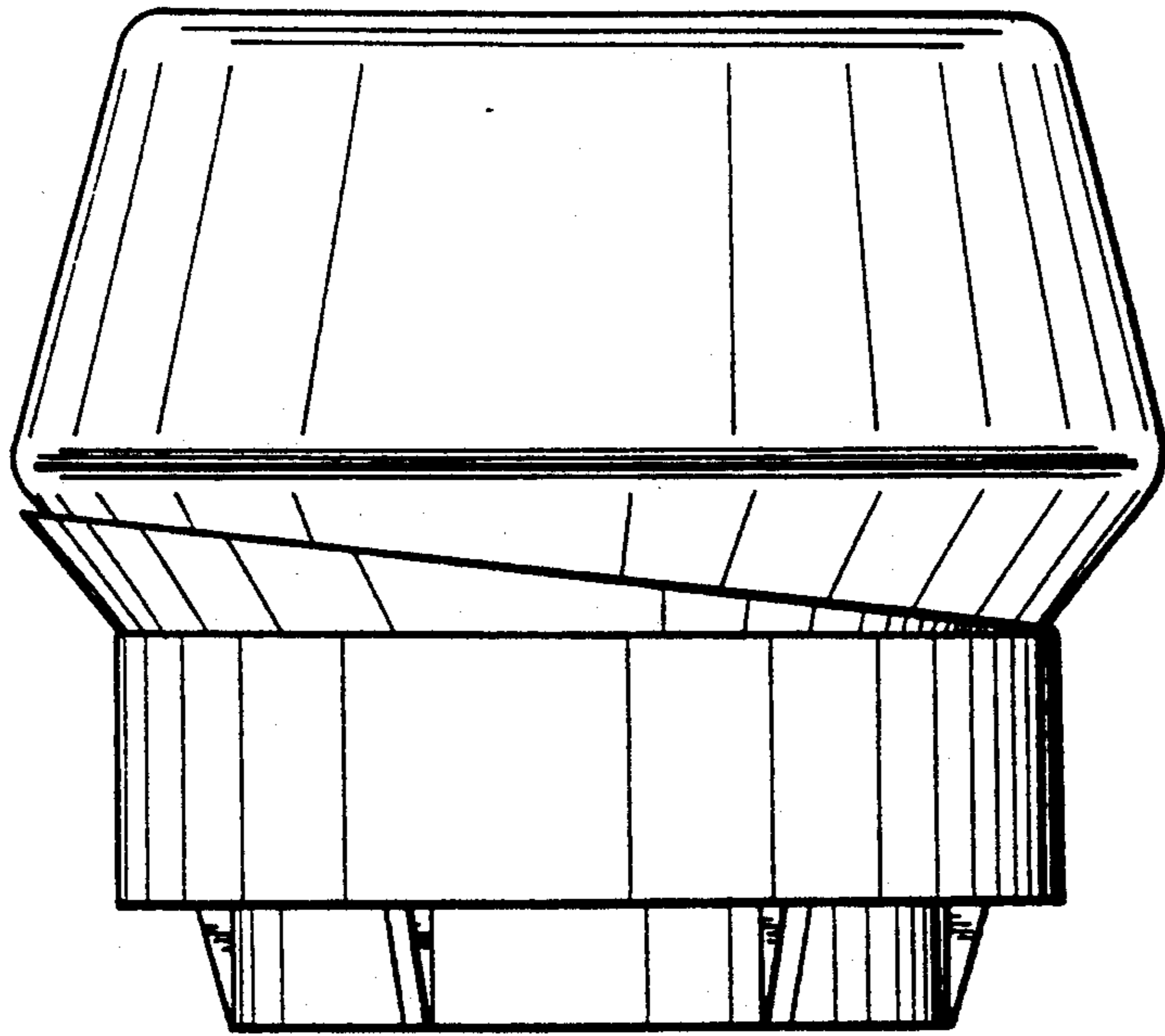


FIG. 2

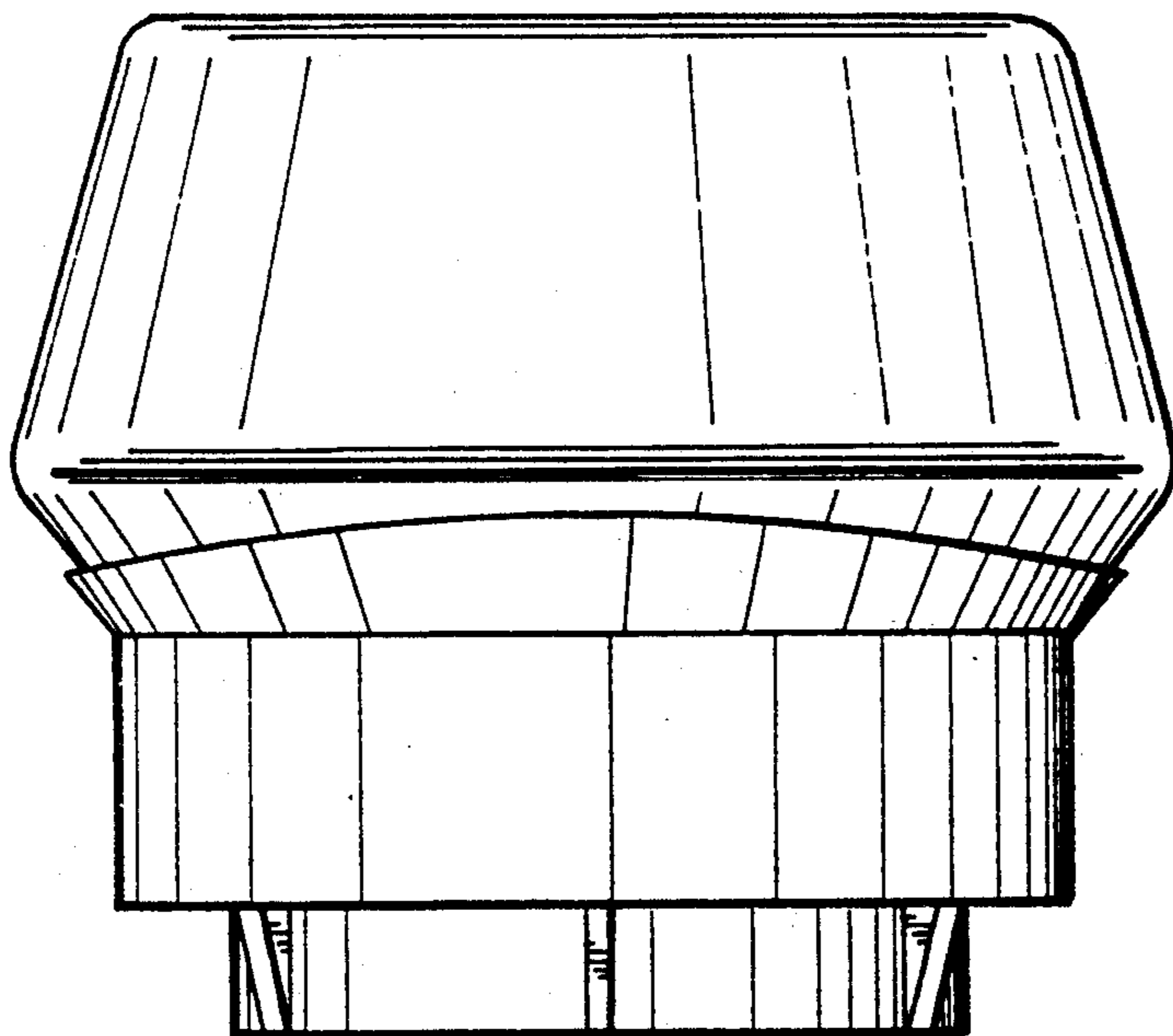


FIG. 3

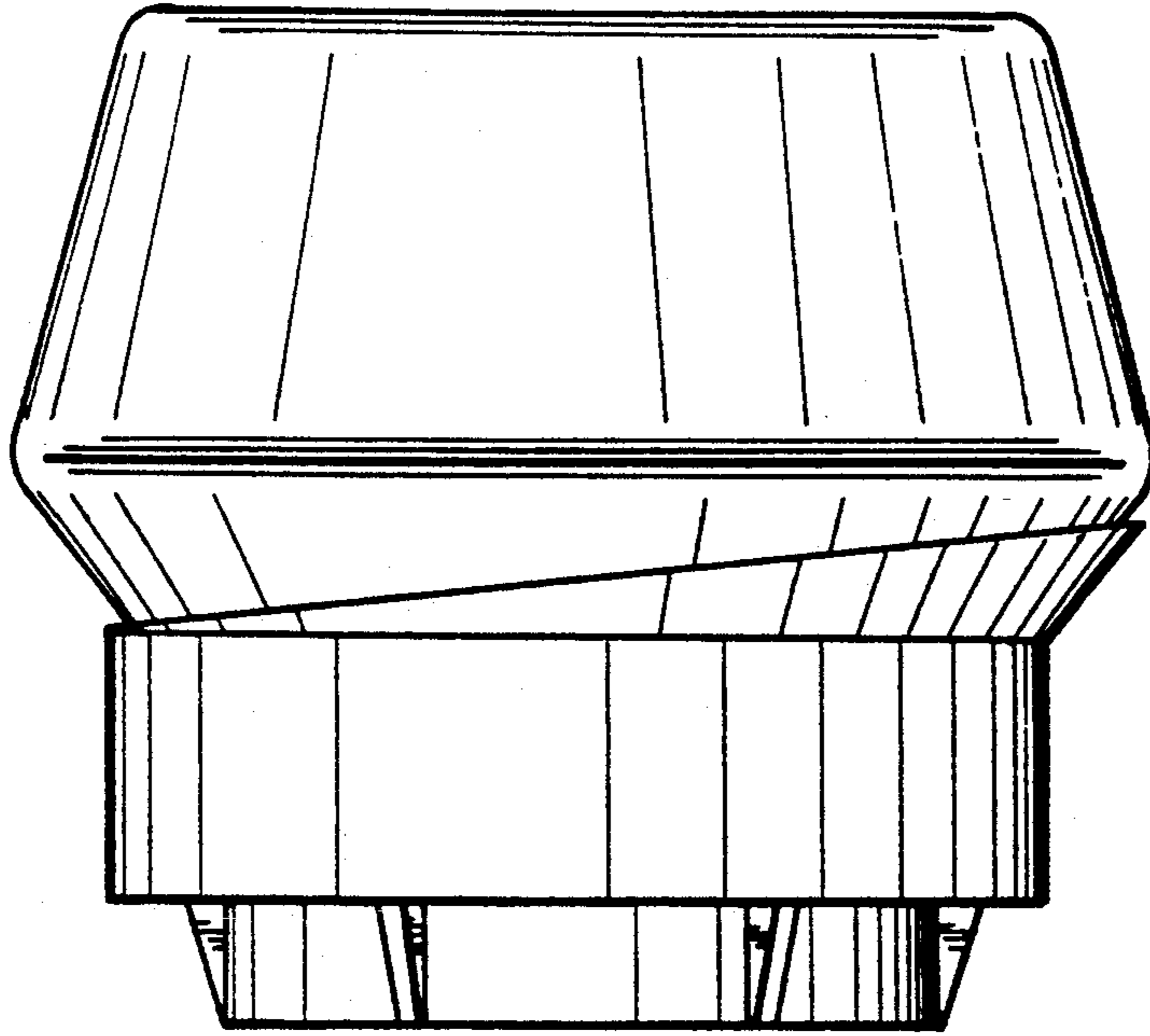


FIG. 5

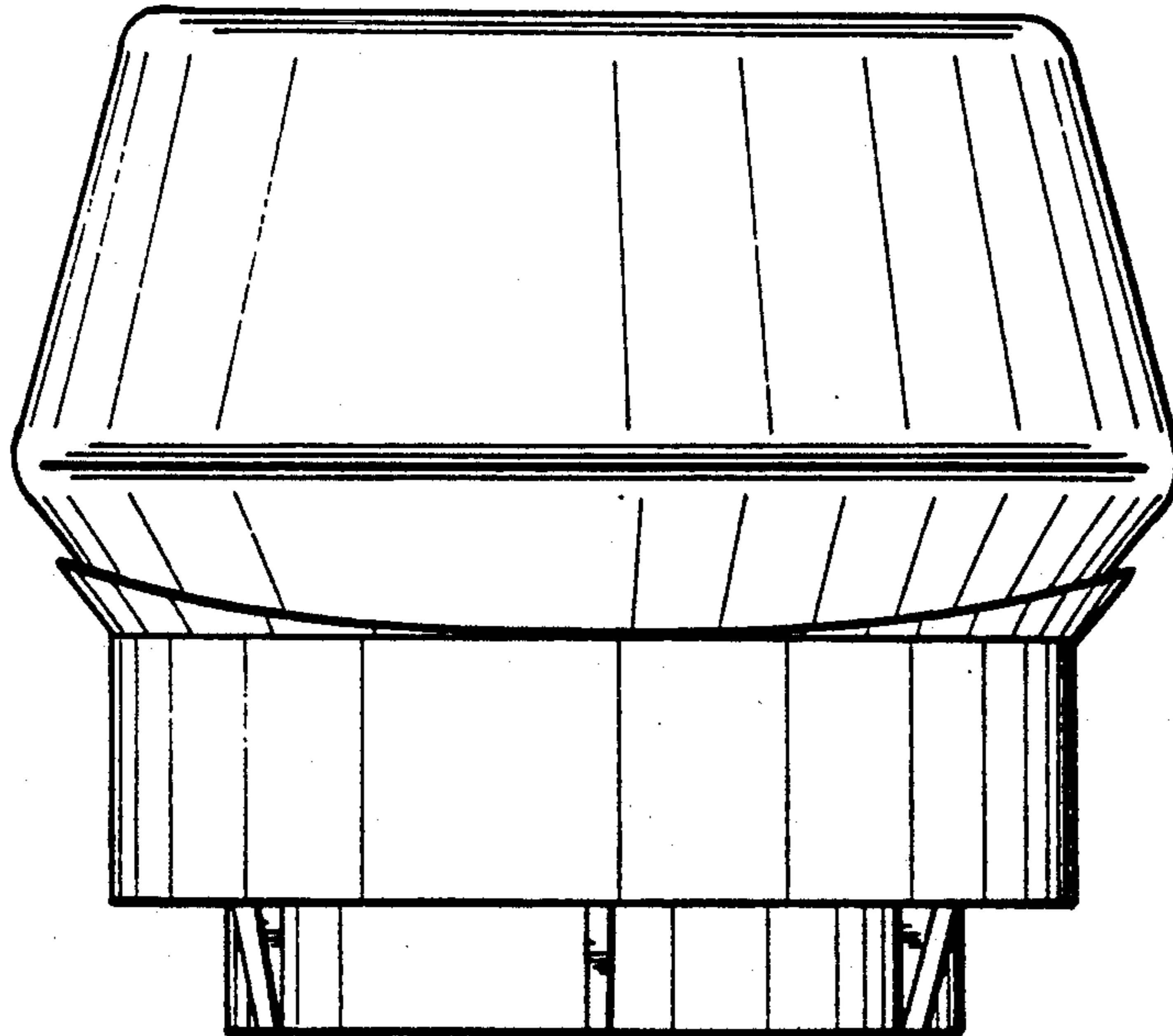


FIG. 4

FIG. 6

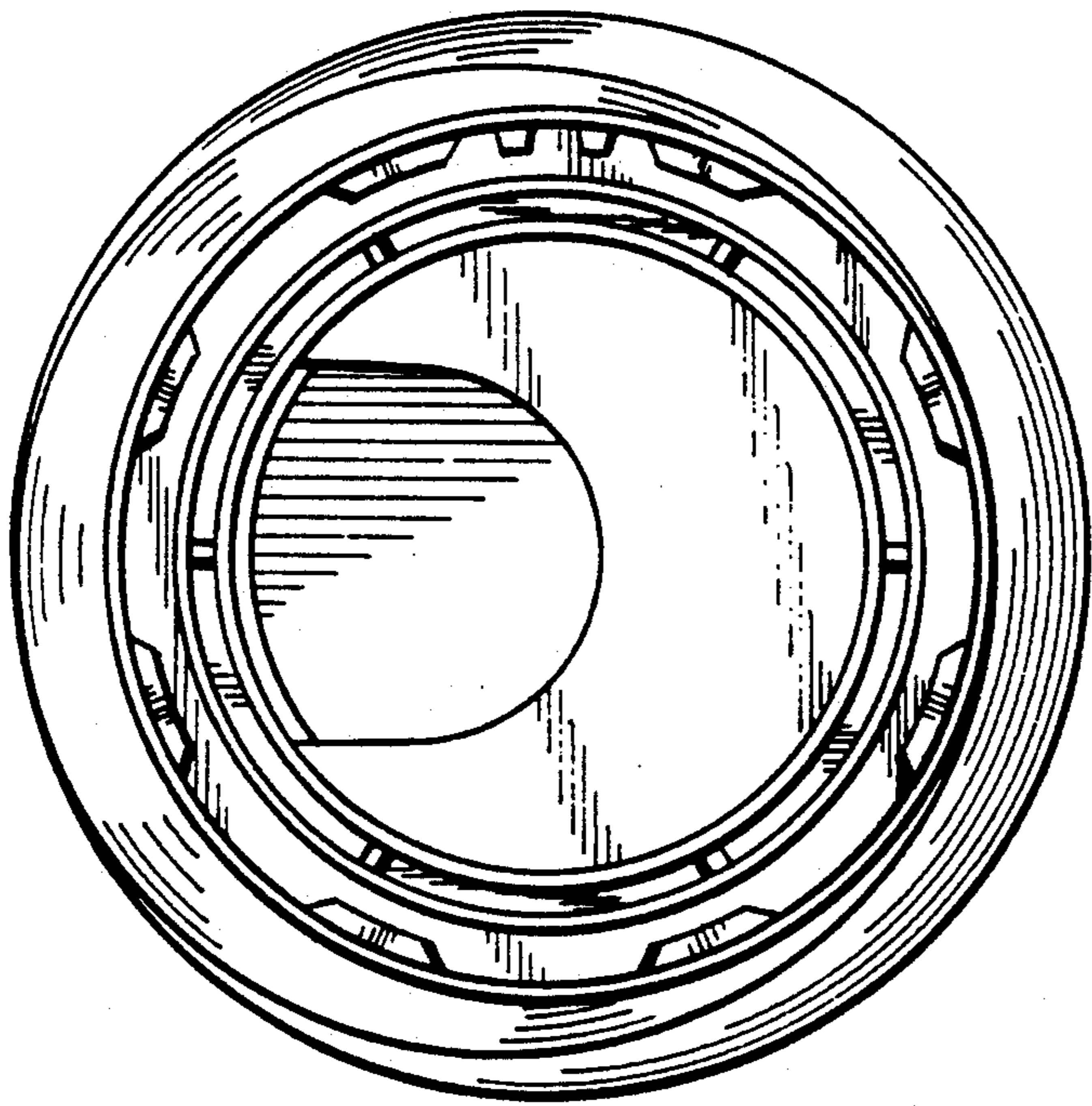
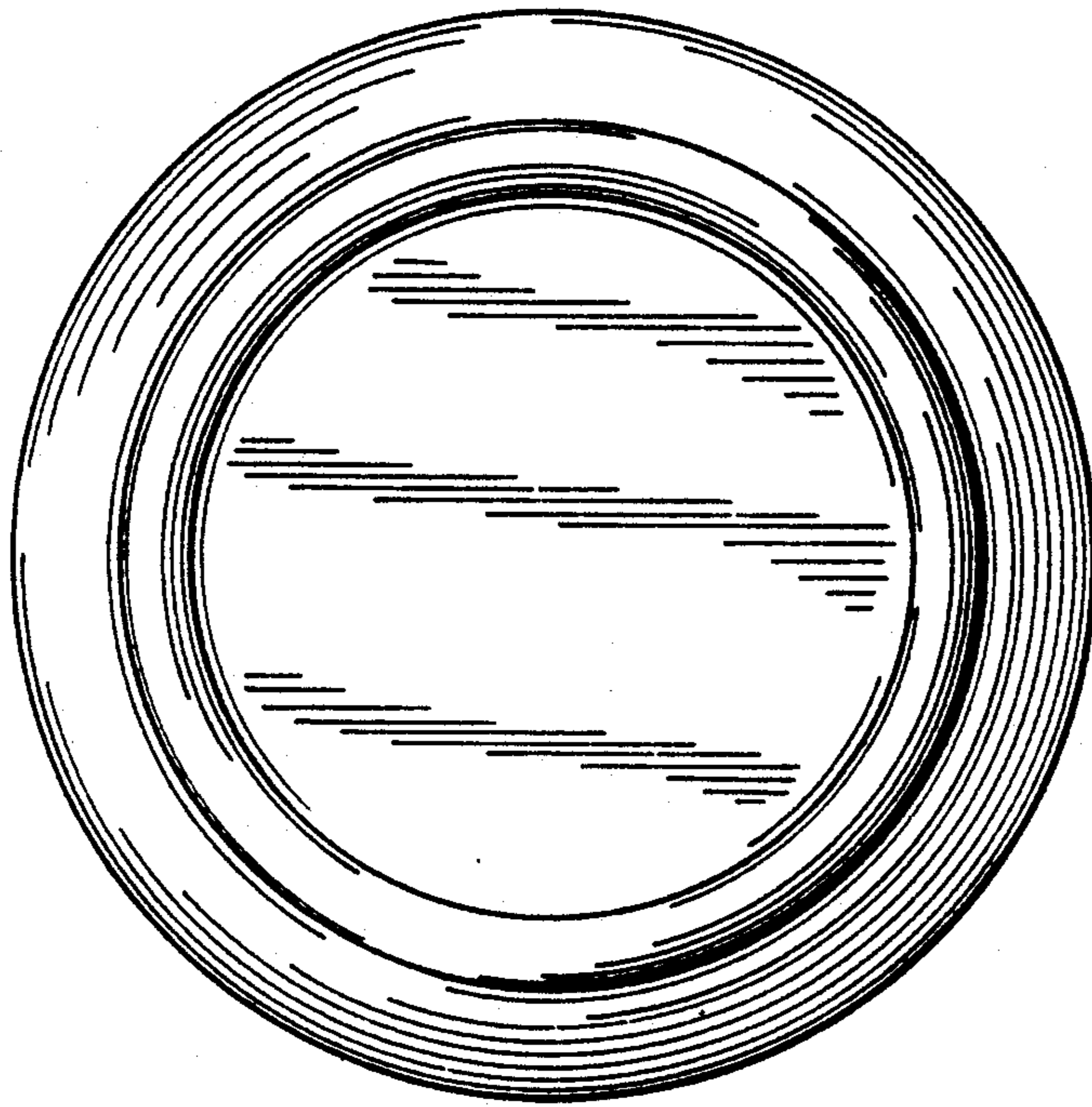


FIG. 7

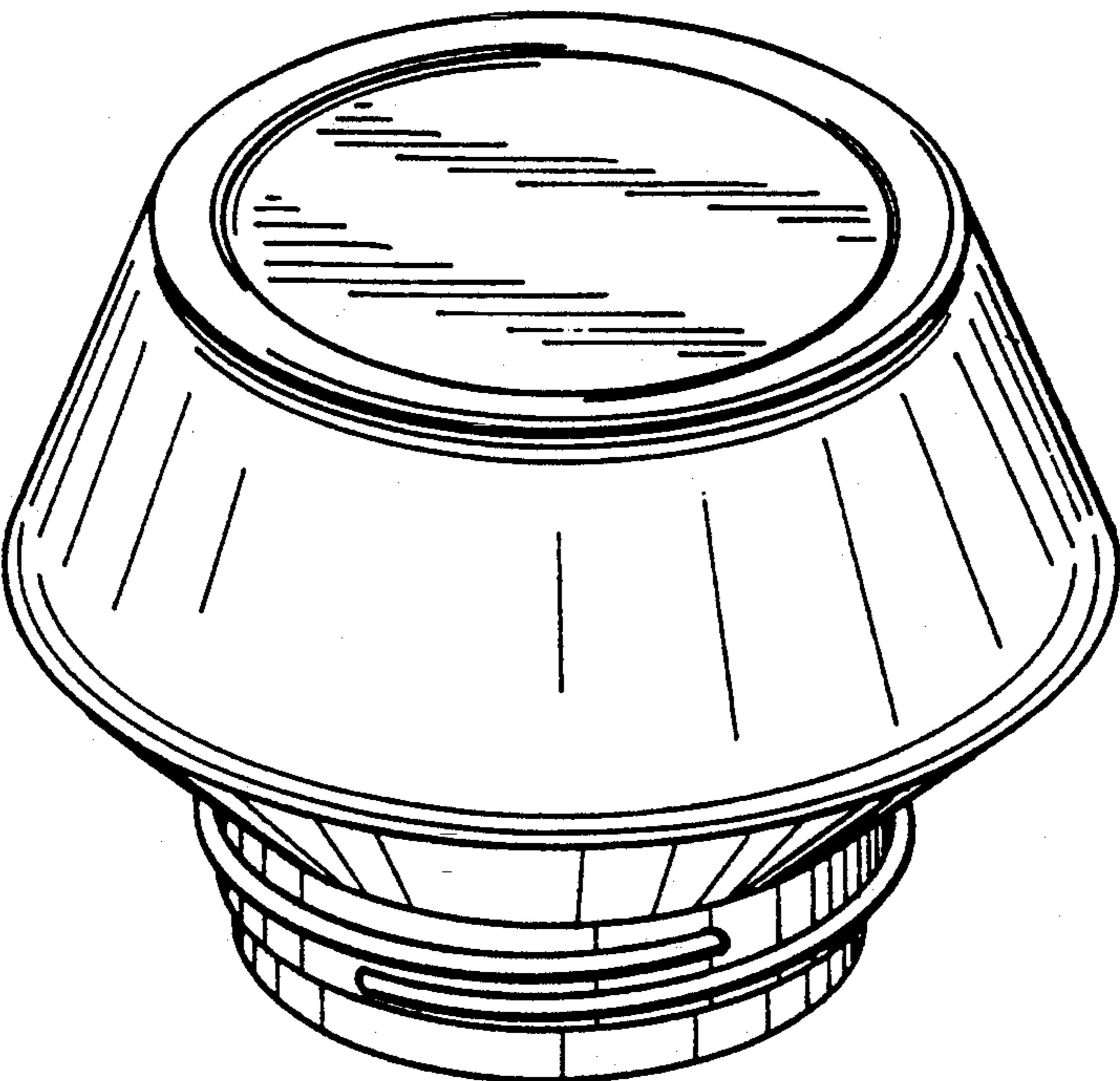


FIG. 8

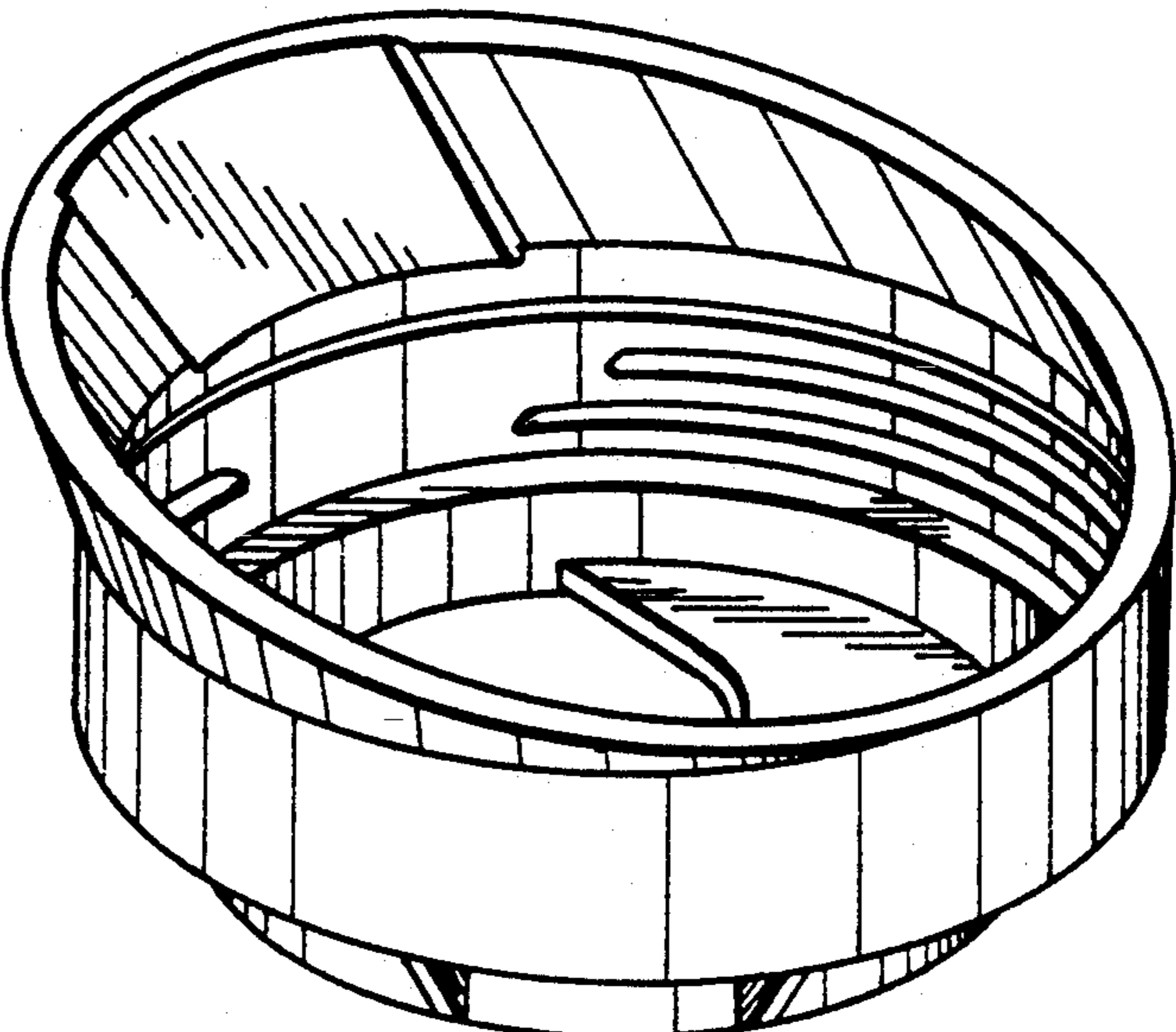


FIG. 9

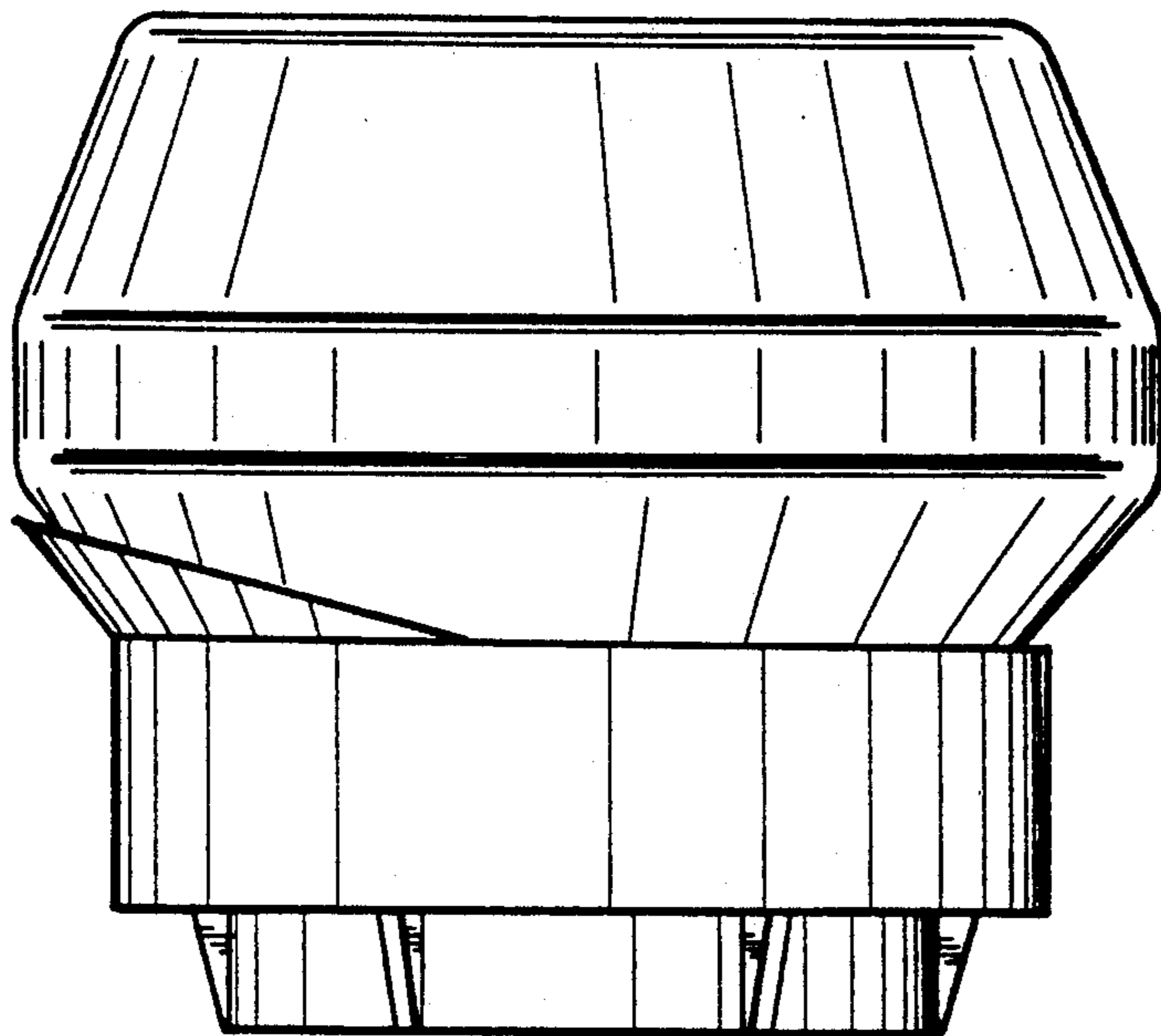
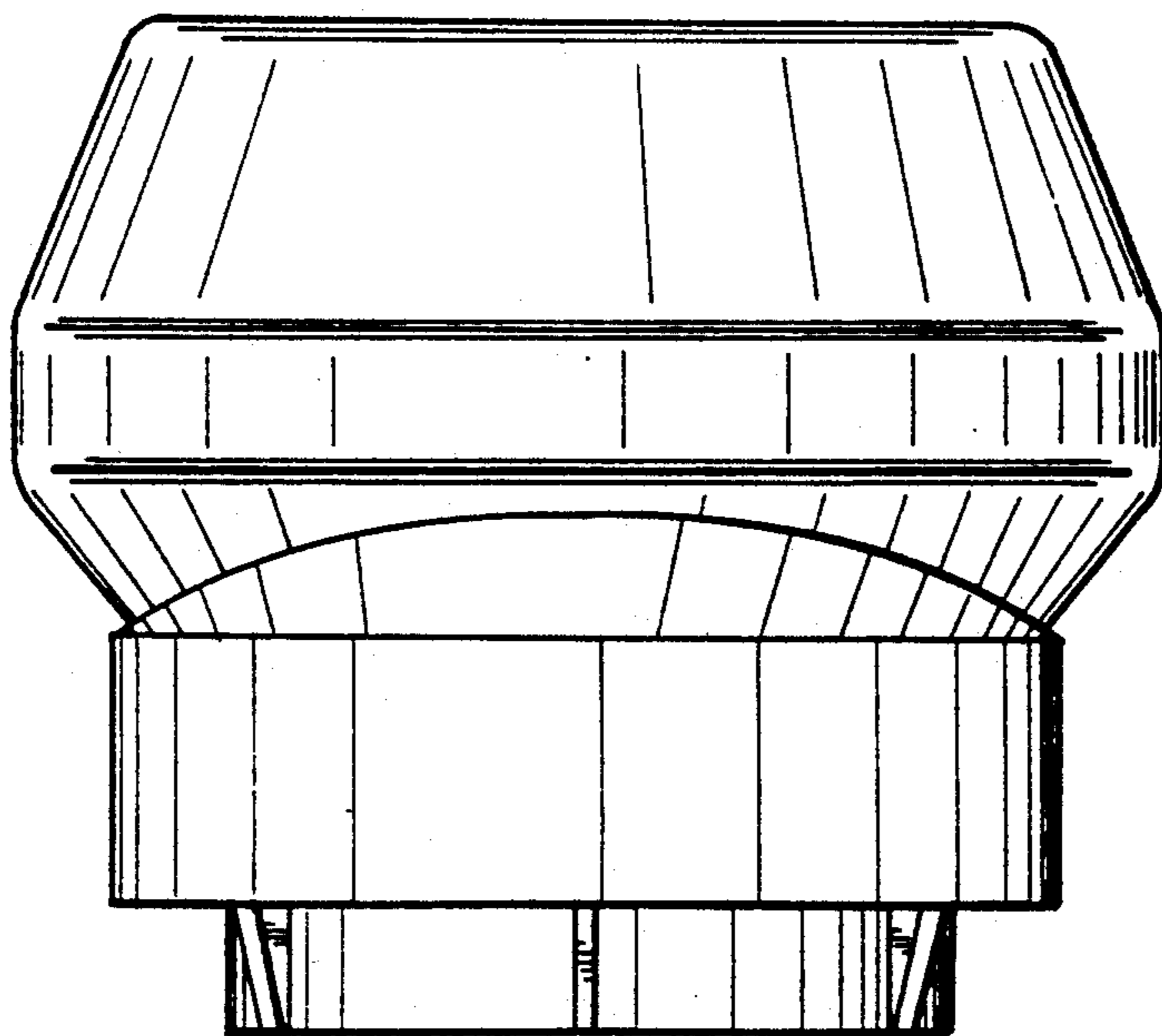


FIG. 10



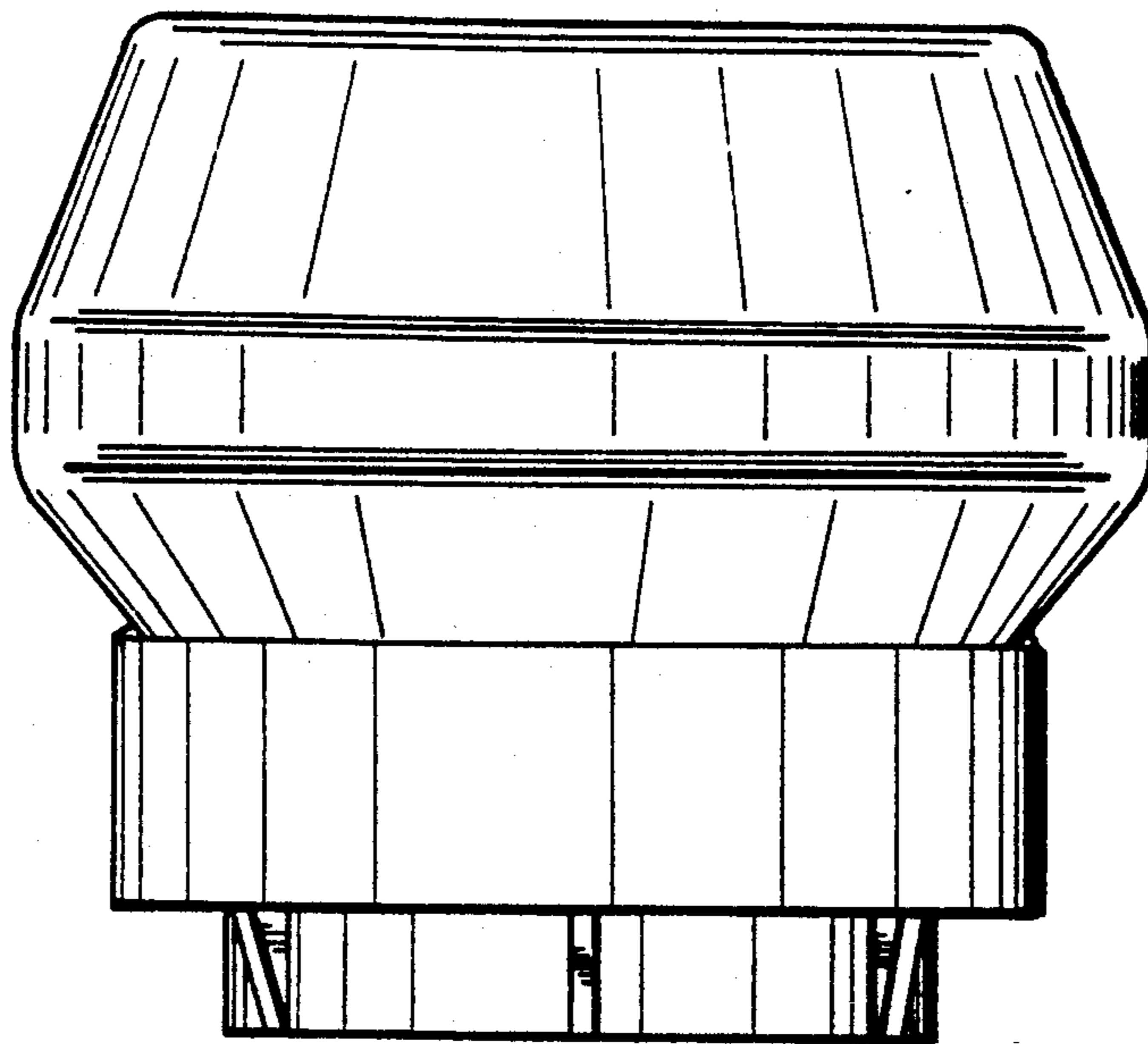


FIG. 11

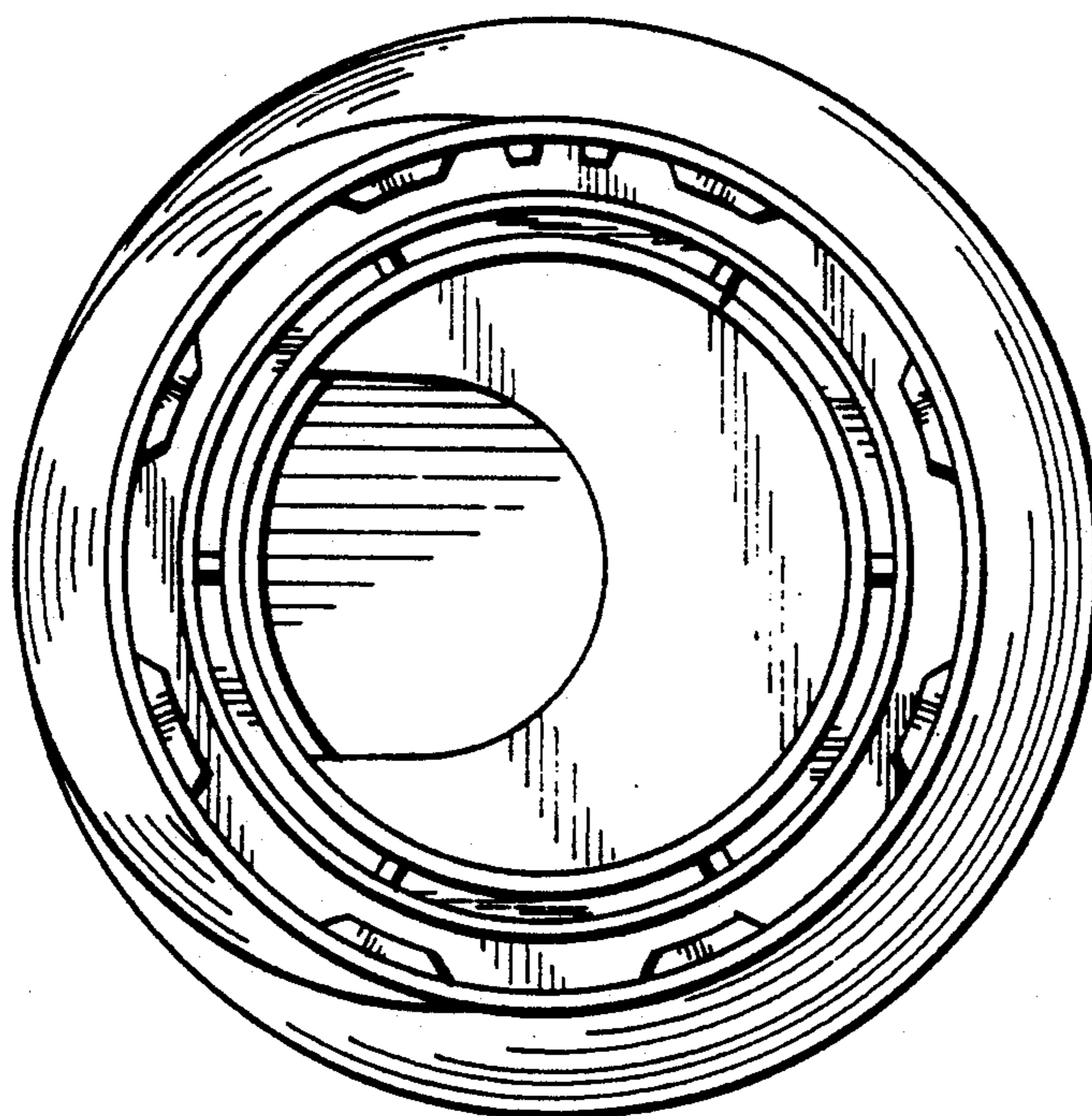
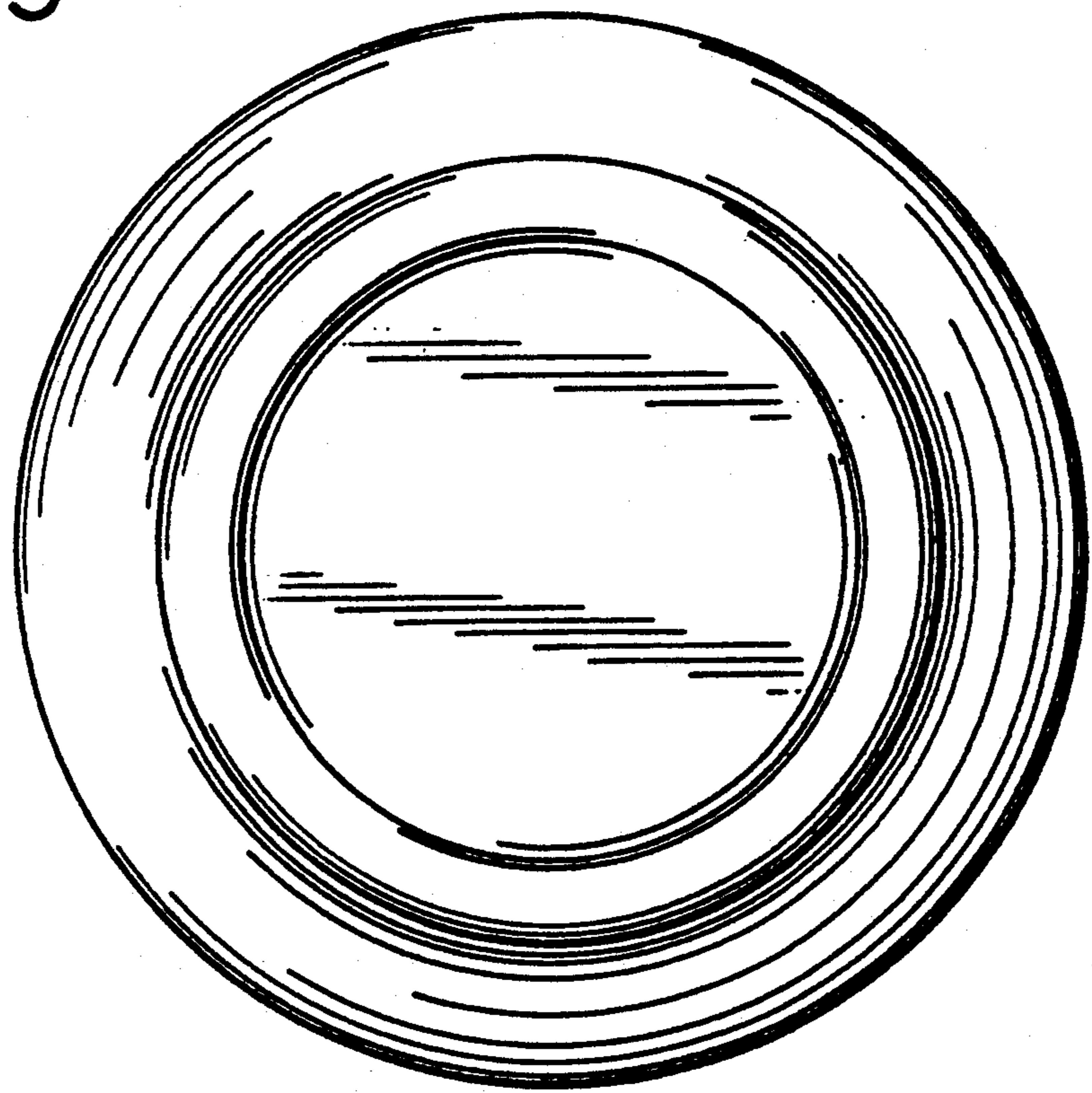


FIG. 12



FIG. 13



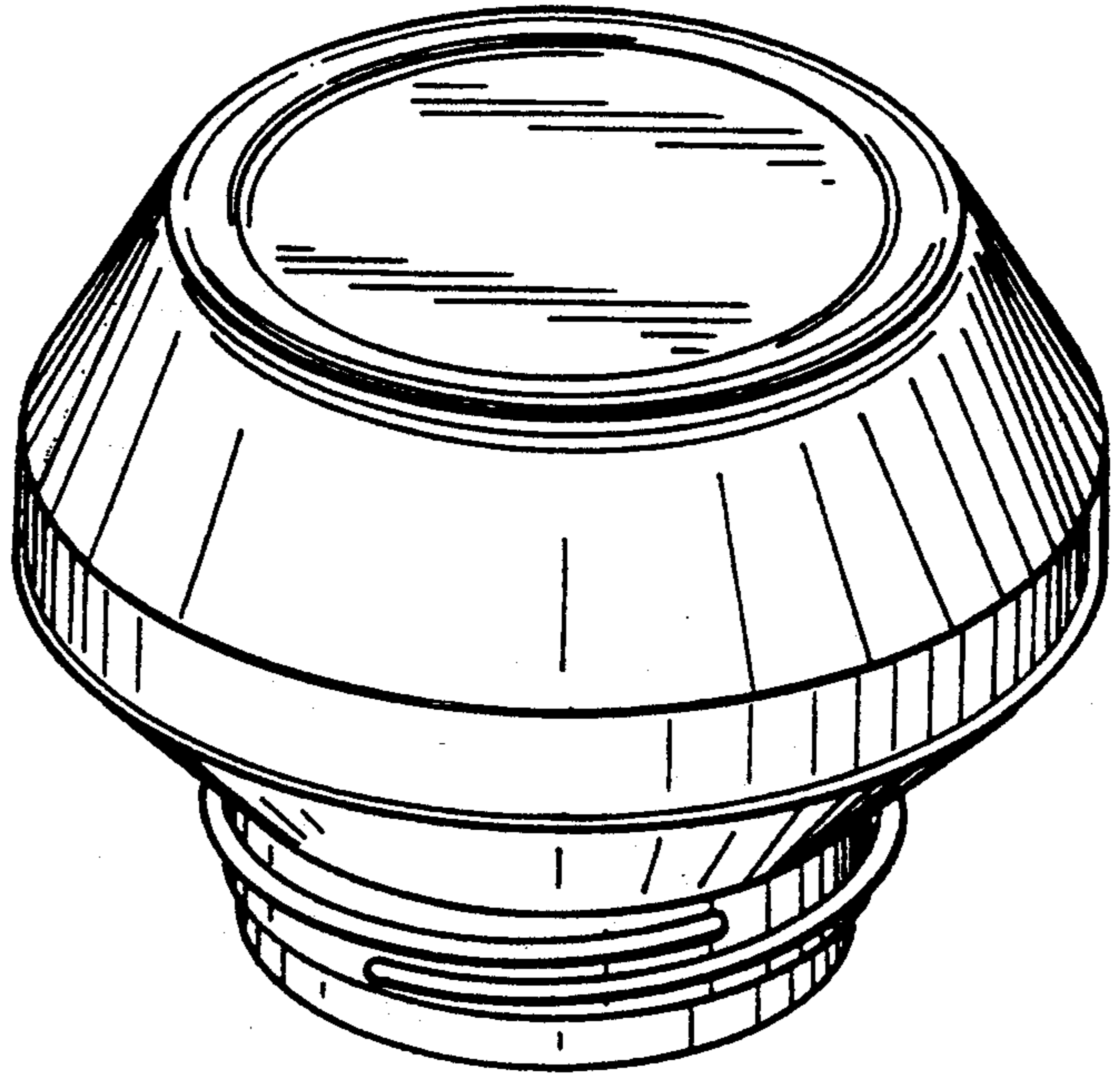


FIG. 14

