



US00D337688S

# United States Patent [19]

Diefenbach

[11] Patent Number: Des. 337,688

[45] Date of Patent: \*\* Jul. 27, 1993

[54] ESPRESSO MACHINE

[75] Inventor: **Berndt Diefenbach**, Starnberg, Fed. Rep. of Germany

[73] Assignee: **Arthur Eugster AG**, Romanshorn, Switzerland

[\*\*] Term: **14 Years**

[21] Appl. No.: **703,138**

[22] Filed: **May 17, 1991**

[30] **Foreign Application Priority Data**

Dec. 27, 1990 [DE] Fed. Rep. of Germany ..... 9008548  
 [52] U.S. Cl. .... **D7/309; D7/311**  
 [58] Field of Search ..... **D7/309, 310, 311, 608, D7/317, 316, 318, 319, 320, 321, 322, 312, 300, 303, 313; 99/279, 295, 306; 222/131, 209**

[56] **References Cited**

**U.S. PATENT DOCUMENTS**

D. 298,402 11/1988 Sieffert ..... D7/310  
 D. 313,147 12/1990 Rossio et al. .... D7/309  
 D. 313,918 1/1991 Bolivar ..... D7/309  
 D. 318,973 8/1991 Hasslacher ..... D7/309  
 4,632,024 12/1986 Cortese ..... D7/309 X

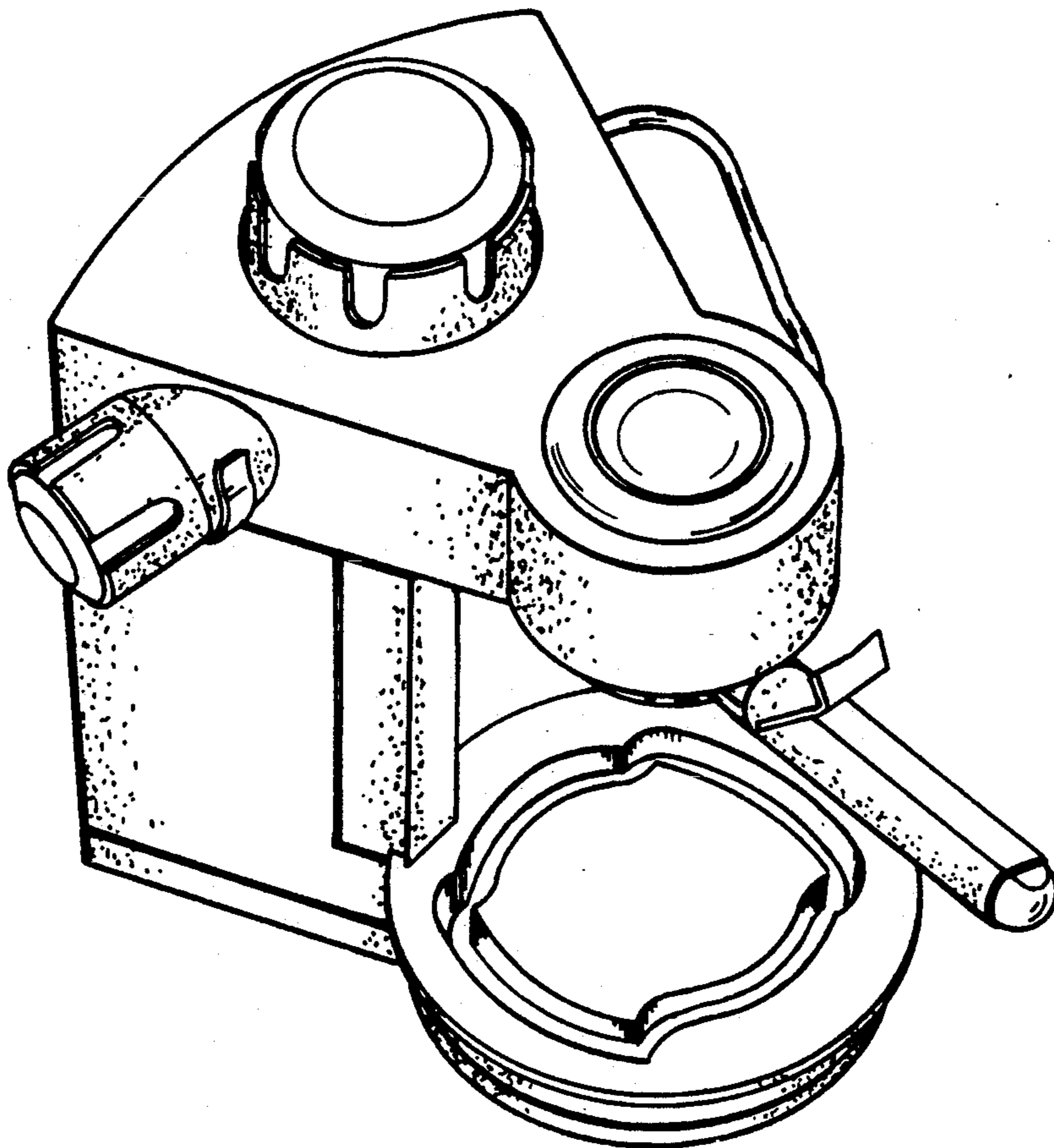
*Primary Examiner*—Alan P. Douglas  
*Assistant Examiner*—M. N. Pandozzi  
*Attorney, Agent, or Firm*—Darby & Darby

[57] **CLAIM**

The ornamental design for an espresso machine, as shown.

**DESCRIPTION**

FIG. 1 is a perspective view front and right side view of an espresso machine, showing my new design;  
 FIG. 2 is a perspective view of the back and a view of the right side seen from the front;  
 FIG. 3 is a perspective front and top view onto the left side seen from the front; and,  
 FIG. 4 is a perspective bottom view and a left side view seen from the front.



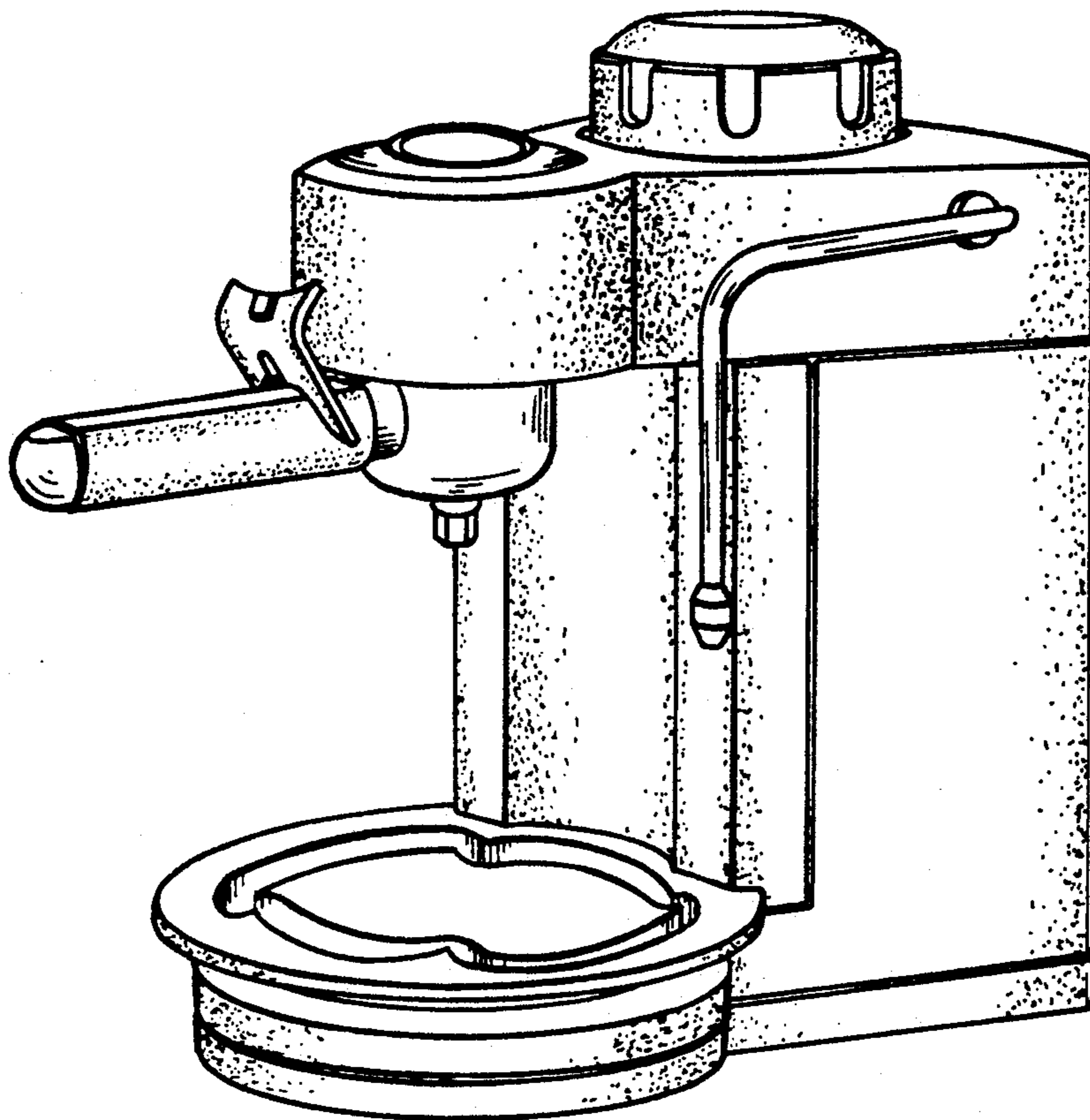


Fig. 1

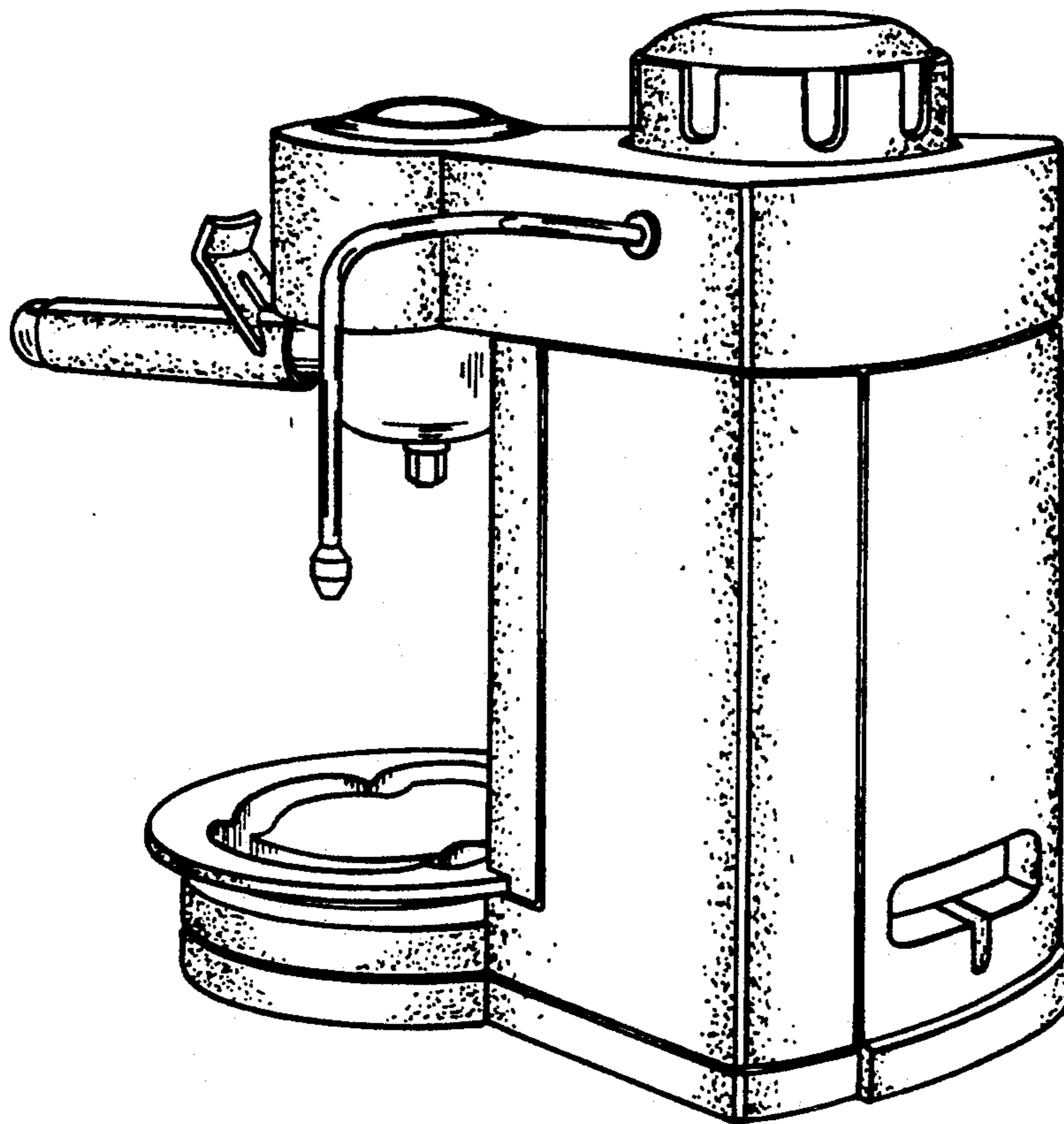


Fig. 2

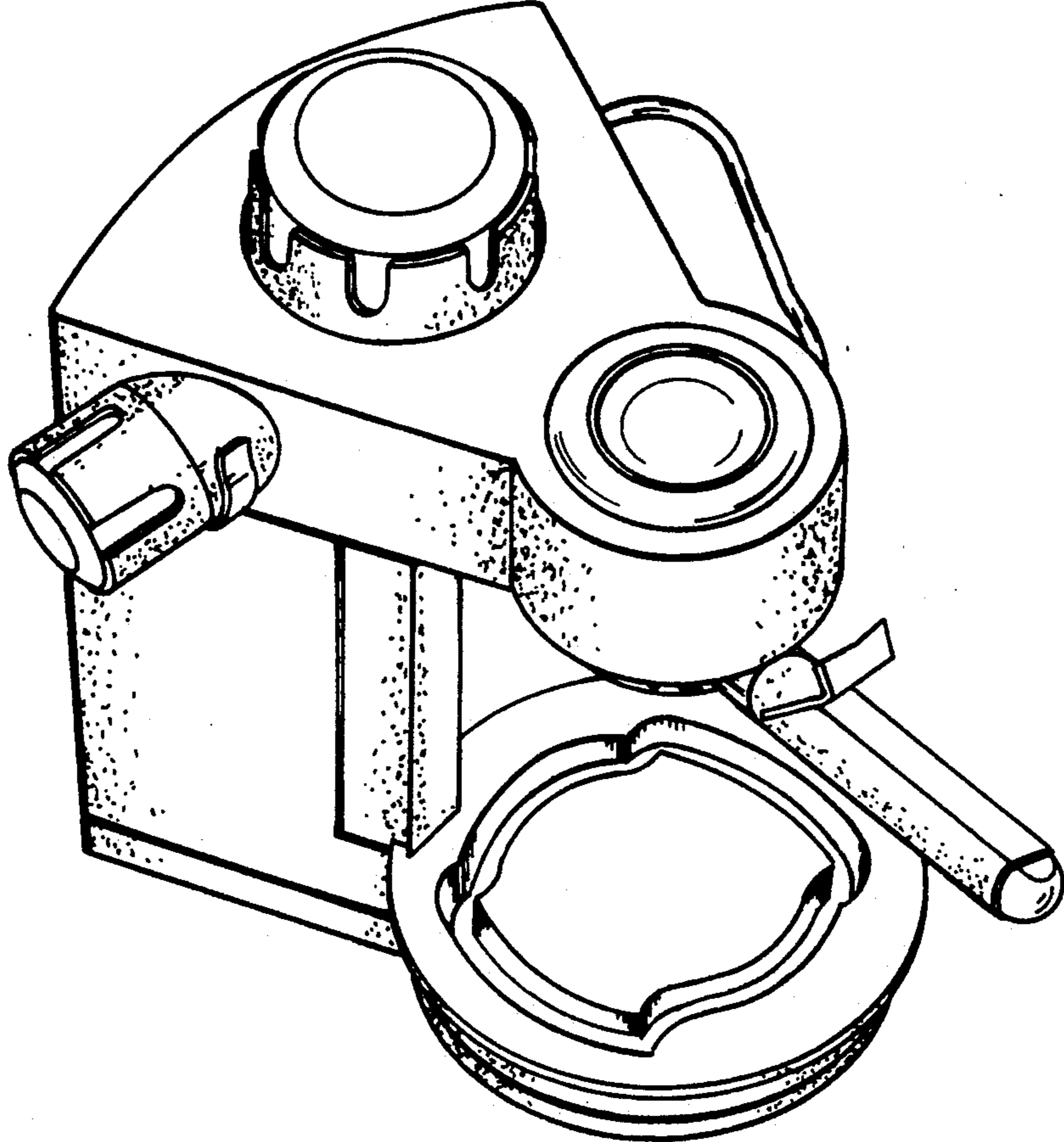


Fig. 3

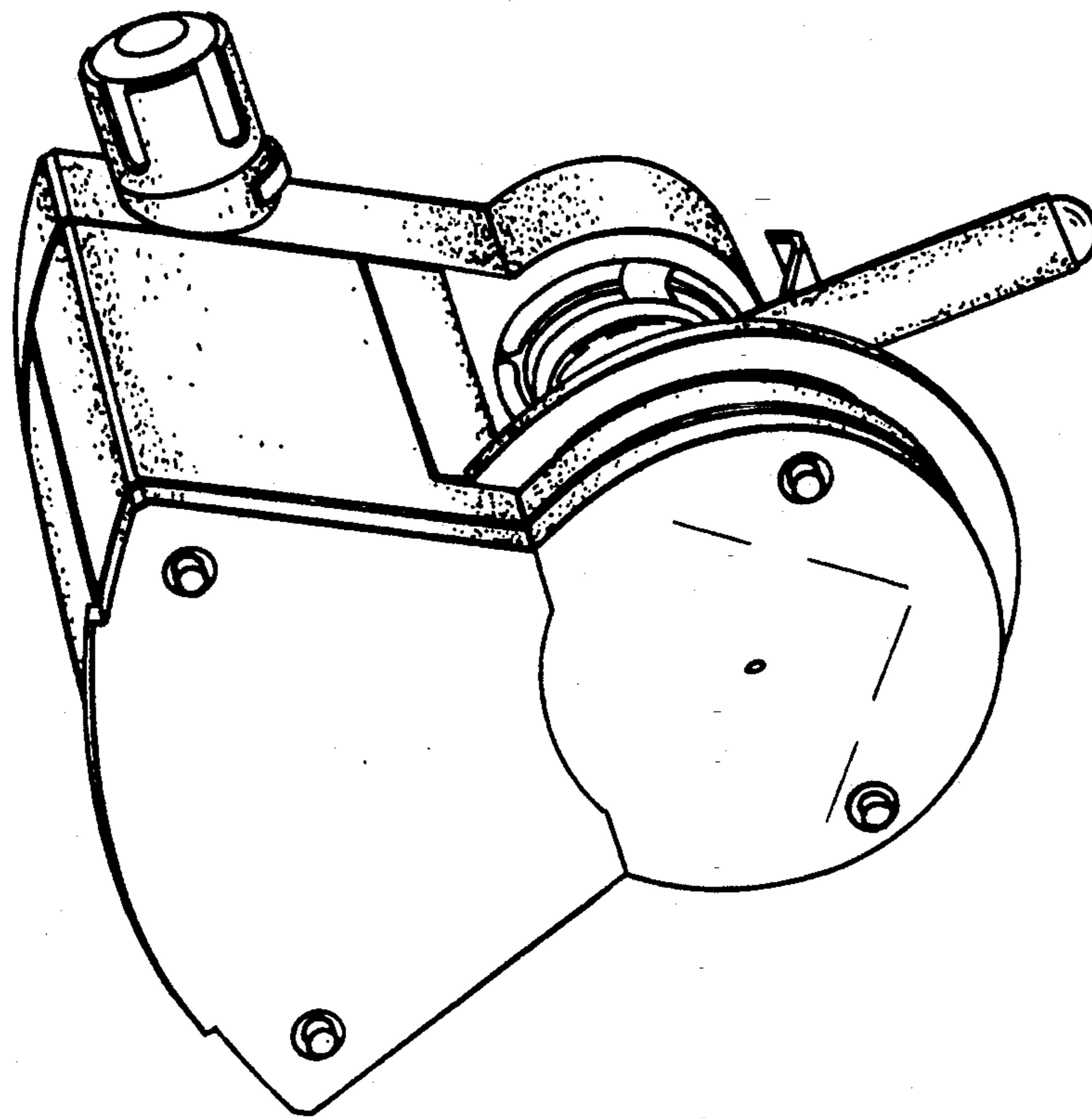


Fig. 4