



US00D337686S

United States Patent [19]

[11] Patent Number: Des. 337,686

E. Parker

[45] Date of Patent: ** Jul. 27, 1993

[54] MATTRESS

[76] Inventor: E. Parker, P.O. Box 767, McComb, Miss. 39648

[**] Term: 14 Years

[21] Appl. No.: 732,693

[22] Filed: Jul. 19, 1991

[52] U.S. Cl. D6/605

[58] Field of Search D6/605; 5/462

[56] References Cited

U.S. PATENT DOCUMENTS

D. 277,060	1/1985	Ullven	D6/605
2,462,579	2/1949	Warner	5/462
3,623,170	11/1971	Staley et al.	5/462
3,988,793	11/1976	Abitol	5/462
4,021,872	5/1977	Powell	5/462
4,288,879	9/1981	Pate	5/462
4,382,306	5/1983	Lickert	5/462
4,536,906	8/1985	Varndell	5/462

FOREIGN PATENT DOCUMENTS

2922443	of 1980	Fed. Rep. of Germany	.
1464593	5/1965	France 5/462
2096458	of 1982	United Kingdom	.

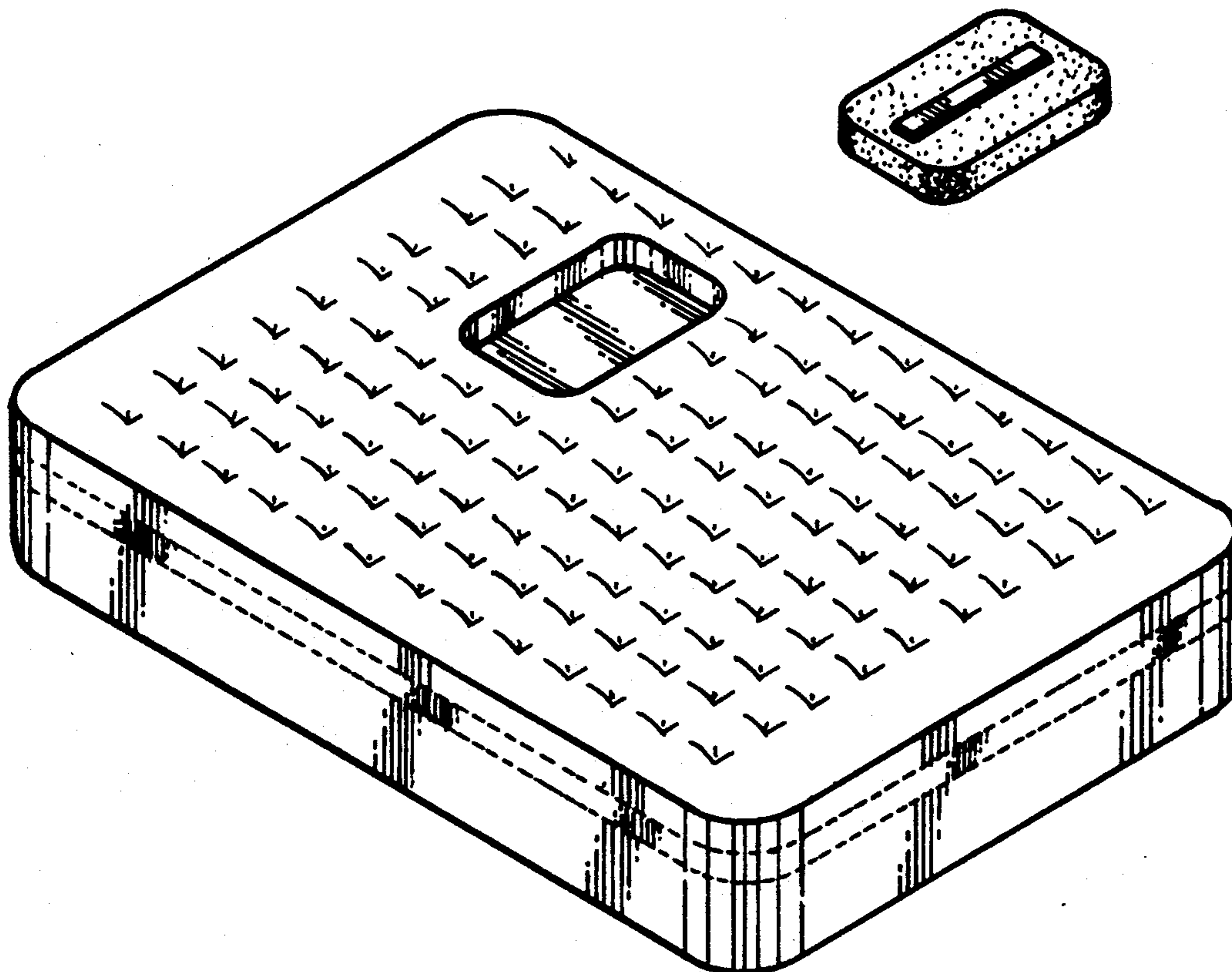
Primary Examiner—Wallace R. Burke
Assistant Examiner—Lisa Lichtenstein
Attorney, Agent, or Firm—Terry M. Gernstein

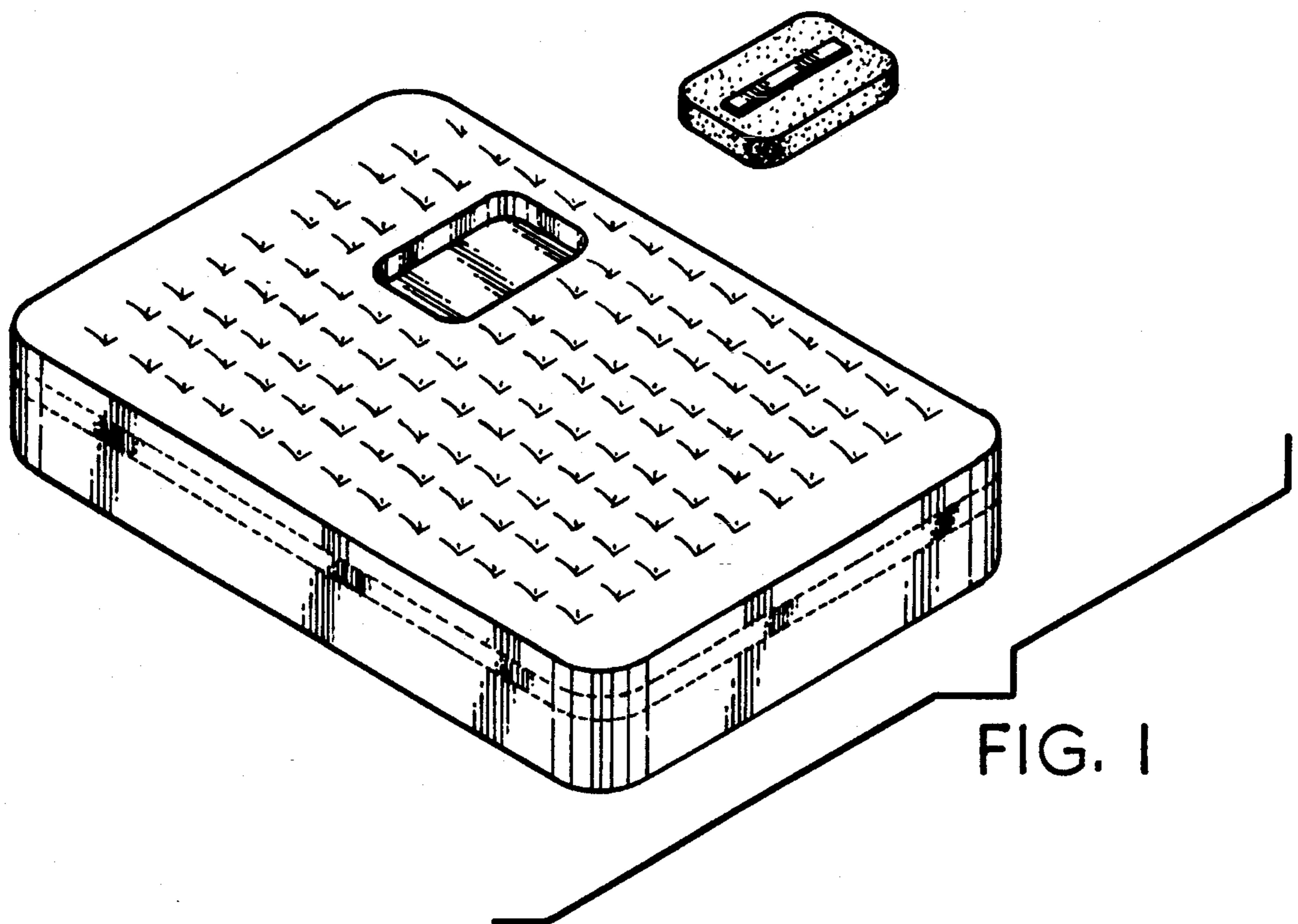
[57] CLAIM

The ornamental design for a mattress, as shown.

DESCRIPTION

FIG. 1 is a top, front and right side exploded perspective view of a mattress showing my new design; FIG. 2 is a front elevational view thereof; FIG. 3 is a rear elevational view thereof; FIG. 4 is a right side elevational view thereof; FIG. 5 is a left side elevational view thereof; FIG. 6 is a top plan view thereof; and, FIG. 7 is a bottom plan view thereof.





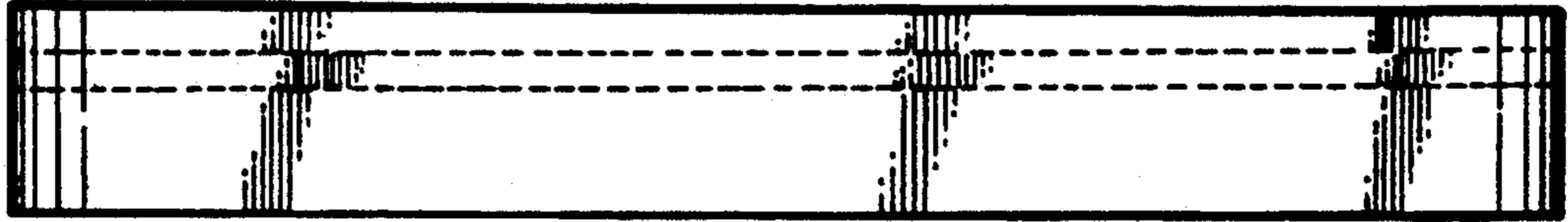


FIG. 2

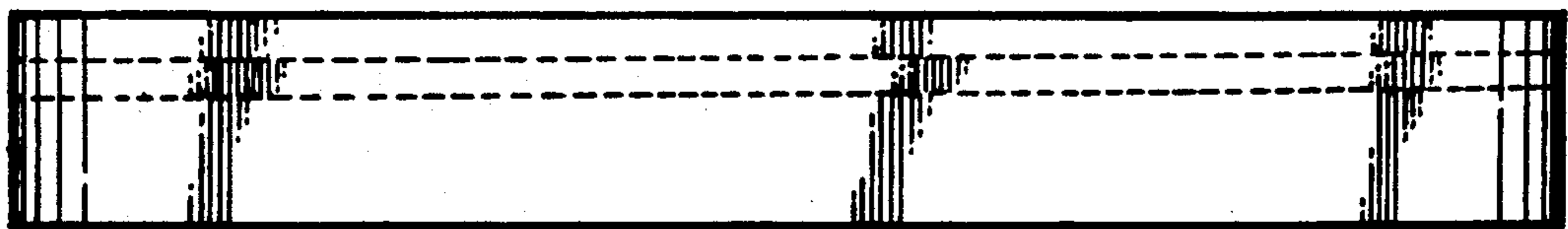


FIG. 3

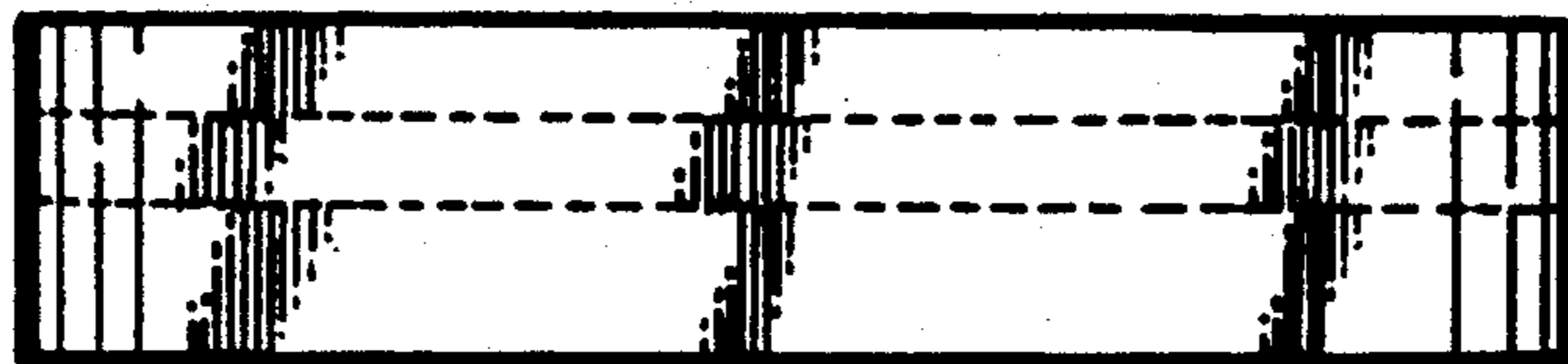


FIG. 4



FIG. 5

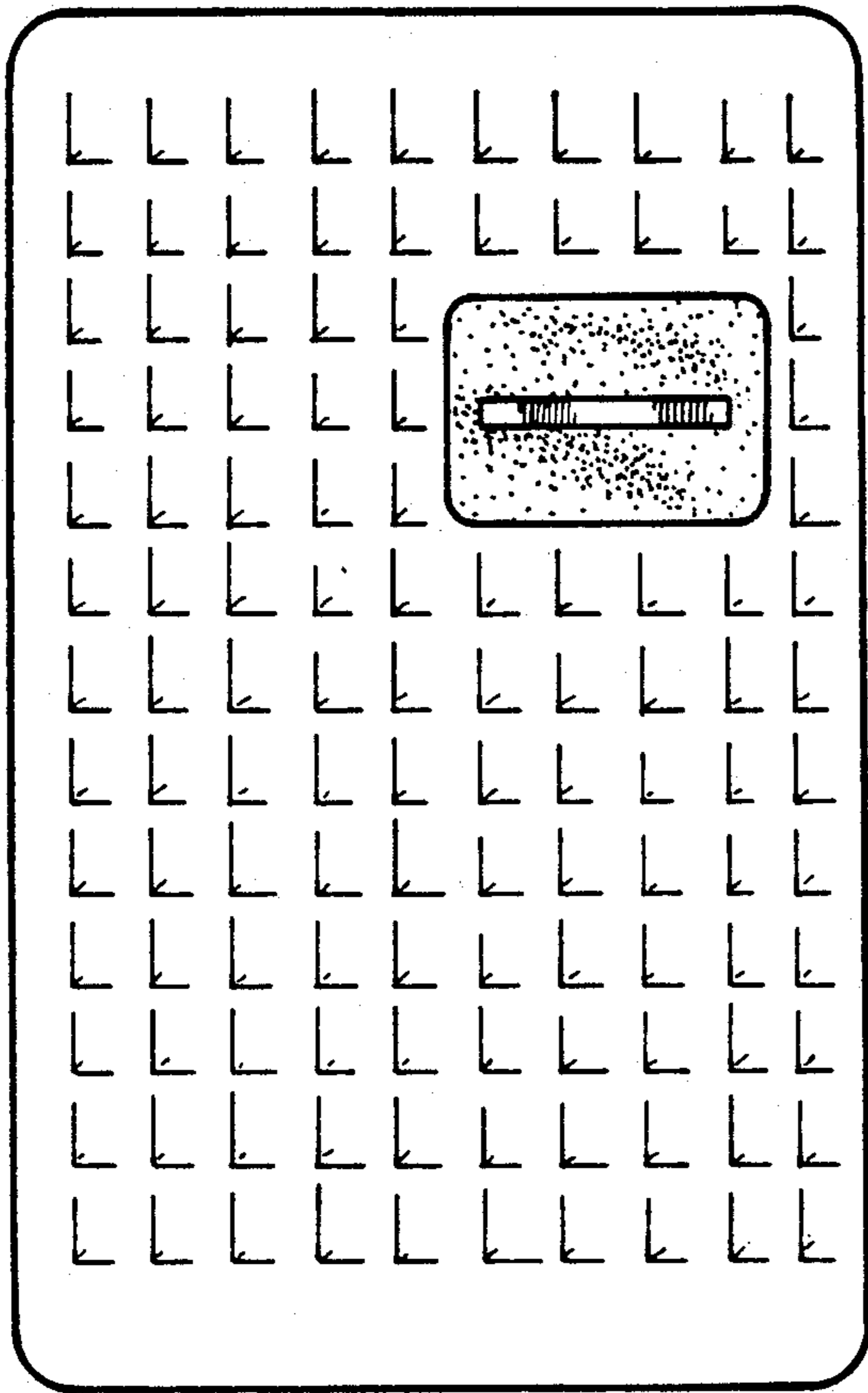


FIG. 6

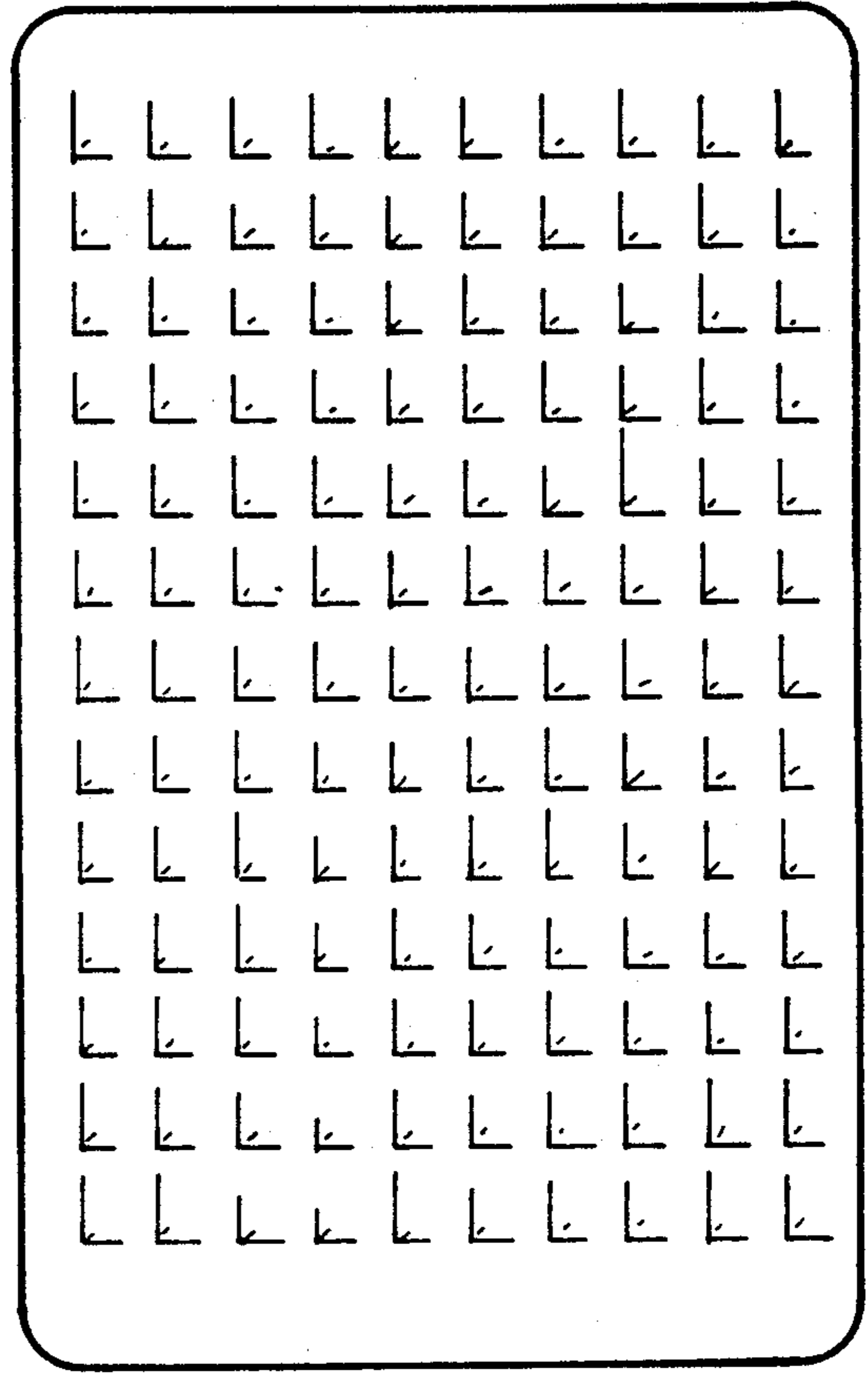


FIG. 7