



US00D337685S

United States Patent [19]

[11] Patent Number: Des. 337,685

Bennett

[45] Date of Patent: ** Jul. 27, 1993

[54] CUSHION TO BE PLACED ON A RAMP TO SLOW DOWN A WHEEL CHAIR

[76] Inventor: Roger D. Bennett, 2618 1/2 Burchwood St., Bellingham, Wash. 98225

[**] Term: 14 Years

[21] Appl. No.: 473,719

[22] Filed: Feb. 2, 1990

[52] U.S. Cl. D6/601

[58] Field of Search D6/601, 595, 596, 597, D6/601, 606; D25/102

[56] **References Cited**

U.S. PATENT DOCUMENTS

D. 314,879	2/1991	Painter	D6/601
1,668,489	5/1928	Brand	5/630
3,900,910	8/1975	Nakata	5/644
4,073,021	2/1978	Carlisle	5/450
4,234,982	11/1980	Bez et al.	5/449
4,370,769	2/1983	Herzig	5/450
4,484,781	11/1984	Phelps	297/DIG. 3

FOREIGN PATENT DOCUMENTS

1068420	12/1979	Canada	297/229
---------	---------	--------------	---------

OTHER PUBLICATIONS

Symbol Sourcebook, ©1972, p. 117, wheelchair symbol (A), upper left side of page.
Hecht's Cat, Dec. 1981, p. 35, cushion (A), top right side of page.

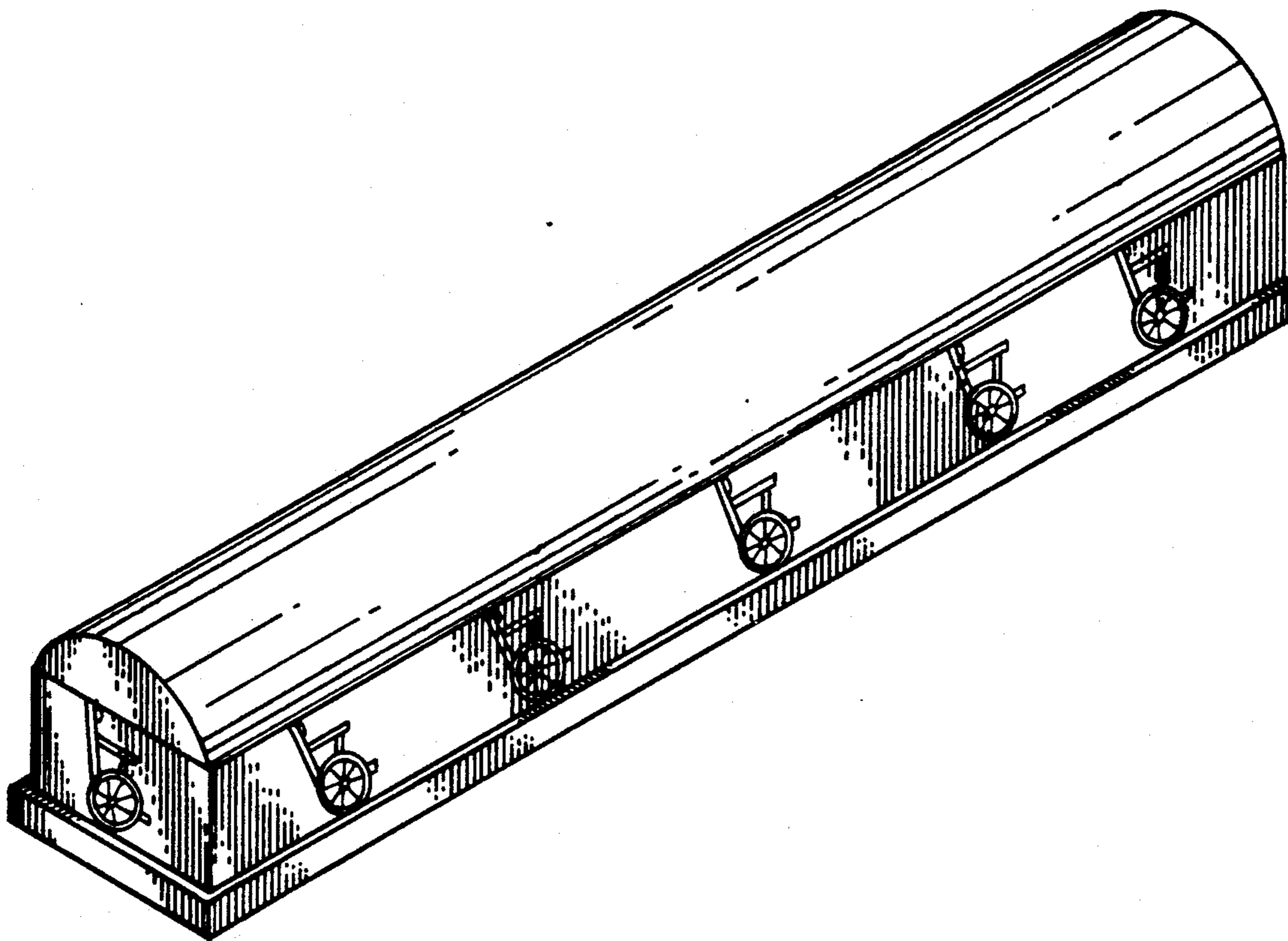
Primary Examiner—Wallace R. Burke
Assistant Examiner—Lisa Lichtenstein

[57] **CLAIM**

The ornamental design for a cushion to be placed on a ramp to slow down a wheel chair, as shown and described.

DESCRIPTION

FIG. 1 is a top and end perspective view of a cushion to be placed on a ramp to slow down a wheel chair showing my new design;
FIG. 2 is a side elevational view thereof, the opposite side being a mirror image of that shown;
FIG. 3 is an enlarged end elevational view thereof, the opposite end being a mirror image of that shown;
FIG. 4 is a top plan view thereof; and,
FIG. 5 is a reduced bottom and end perspective view thereof.



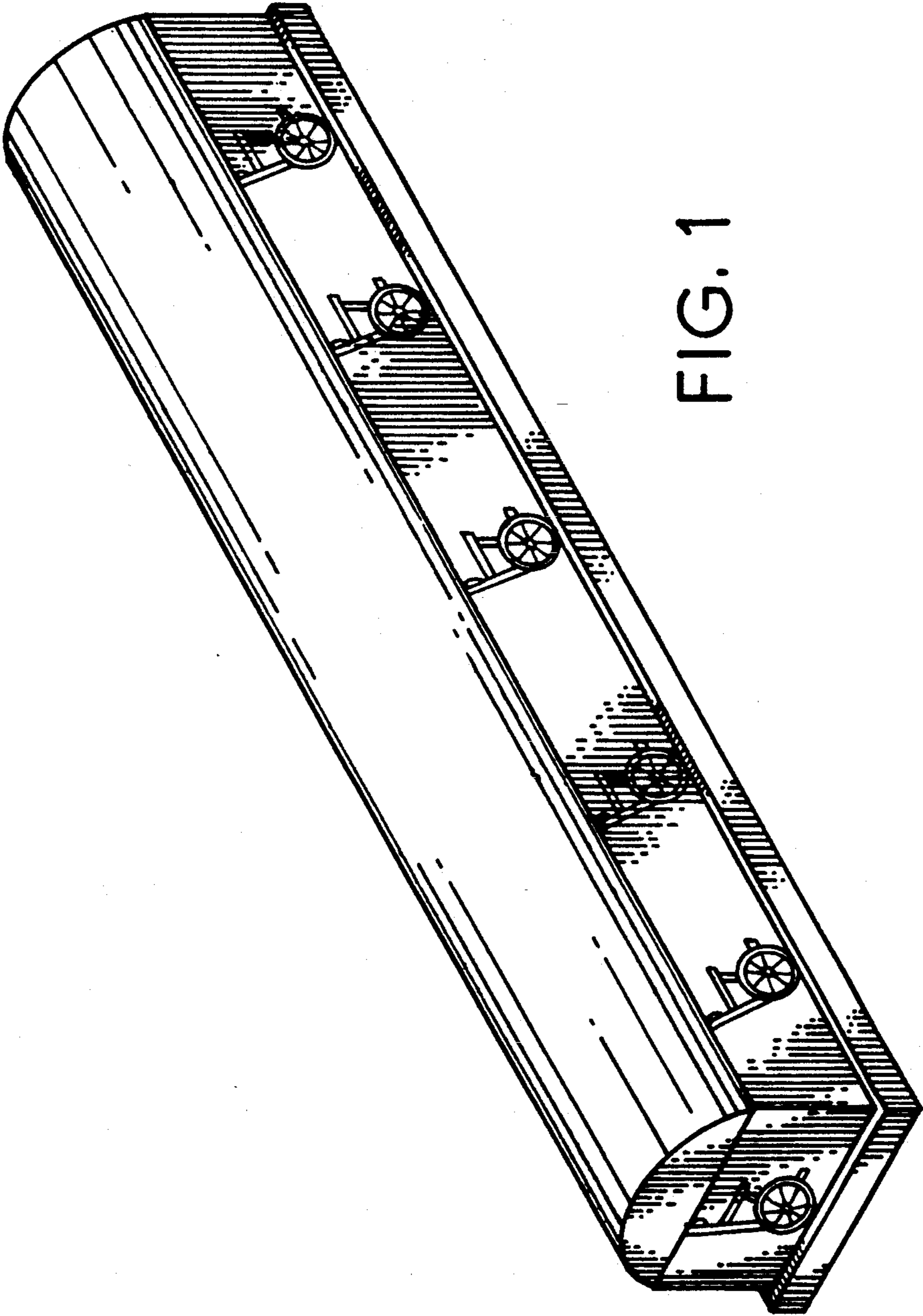


FIG. 1

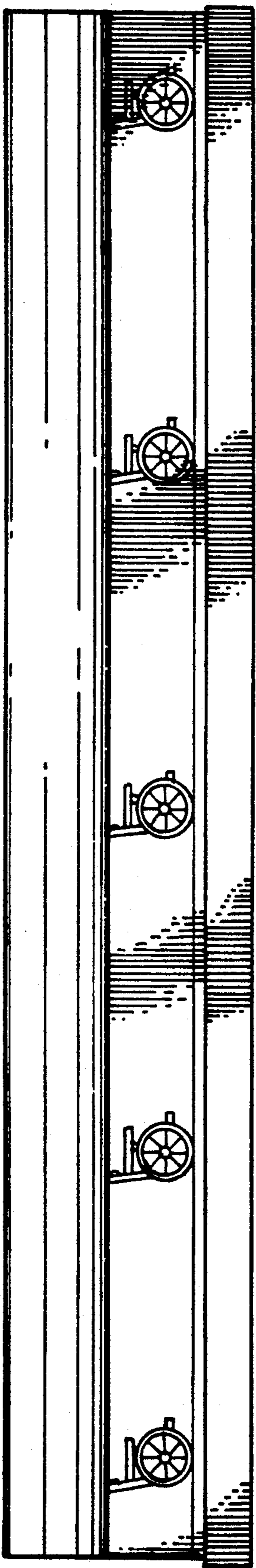


FIG. 2

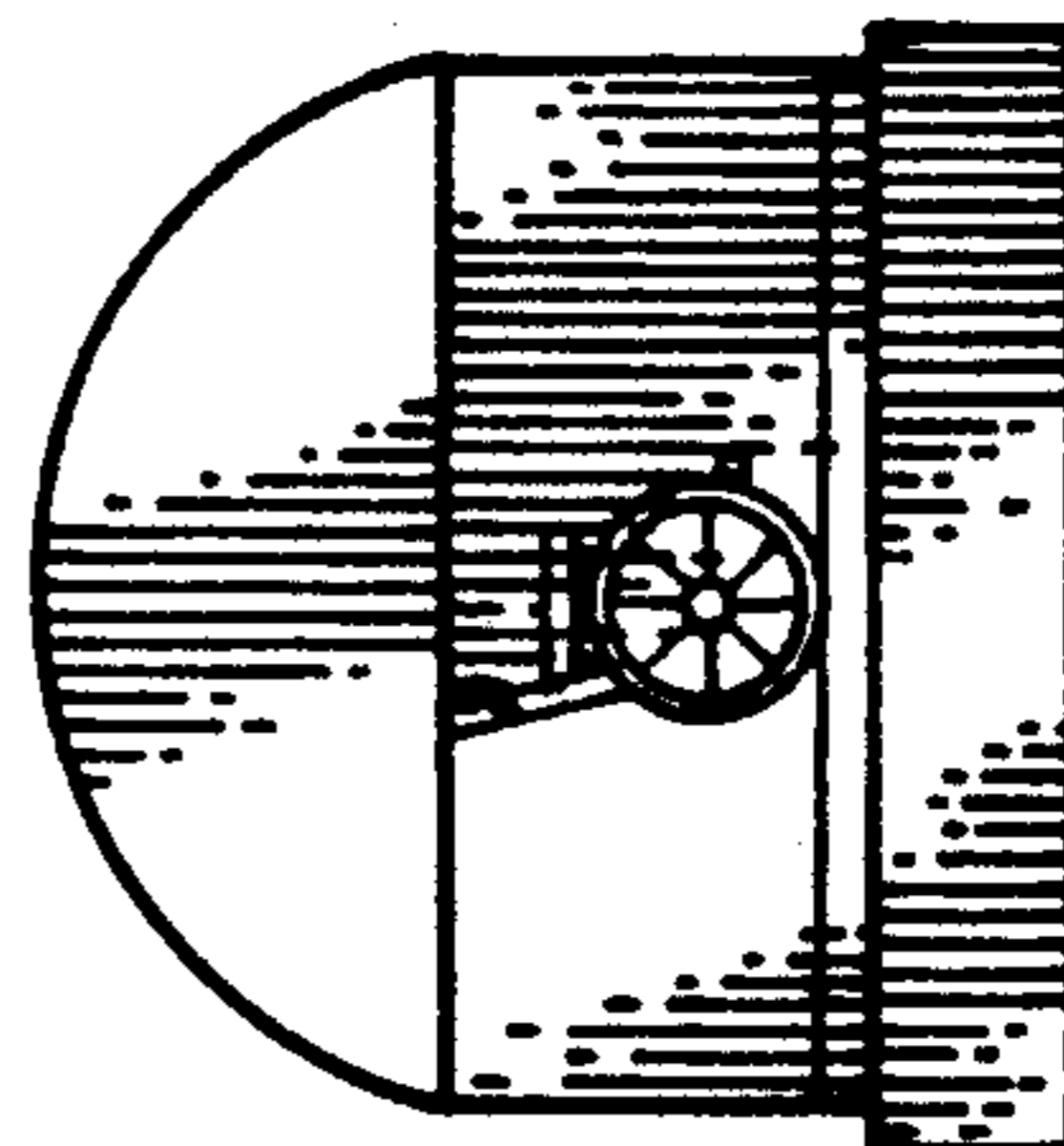


FIG. 3

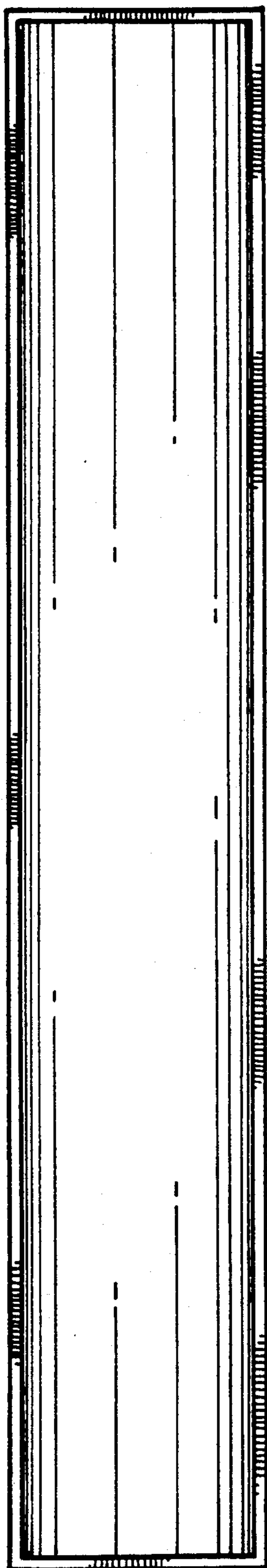


FIG. 4

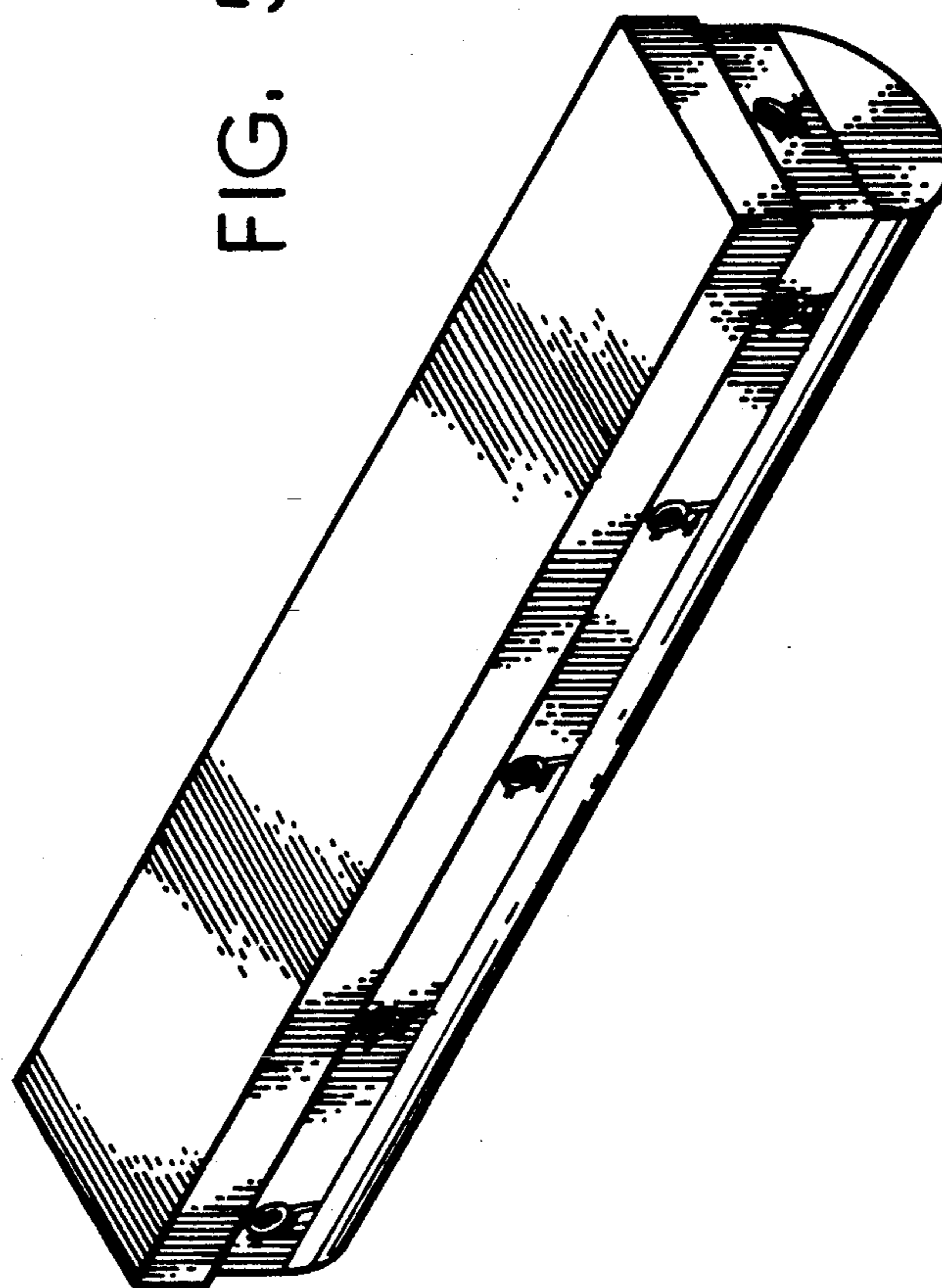


FIG. 5