



US00D337681S

United States Patent [19]

Sharpe

[11] Patent Number: **Des. 337,681**

[45] Date of Patent: **** Jul. 27, 1993**

[54] COMBINATION TOOTHBRUSH AND TUMBLER HOLDER

[75] Inventor: Norton Sharpe, Los Angeles, Calif.

[73] Assignee: Franklin Brass Manufacturing Company, Culver City, Calif.

[**] Term: 14 Years

[21] Appl. No.: 487,225

[22] Filed: Mar. 2, 1990

[52] U.S. Cl. D6/531

[58] Field of Search D6/524, 527-528, D6/531, 534-535; 206/77.1; 211/13, 60.1, 65, 75, 87-88; 248/309.1, 312, 311.2

[56] References Cited

U.S. PATENT DOCUMENTS

- D. 294,906 3/1988 Pool D6/540 X
- D. 299,095 12/1988 Gresens et al. D6/534 A X

OTHER PUBLICATIONS

Designer Bathware Catalogue (Aug. 1987)-Towel Ring.

P.A.M.I. Catalogue (Aug. 1987)-Catalina Toothbrush & Tumbler Holder #7705.

Primary Examiner—Brian N. Vinson
Attorney, Agent, or Firm—Spensley Horn Jubas & Lubitz

[57] CLAIM

The ornamental design for the combination toothbrush and tumbler holder, as shown and described.

DESCRIPTION

FIG. 1 is a top, front, and left side perspective view of a combination toothbrush and tumbler holder showing my new design;

FIG. 2 is a top plan view thereof;

FIG. 3 is a bottom plan view thereof;

FIG. 4 is a left side elevational view thereof, the right side being a mirror image of that shown;

FIG. 5 is a front elevational view thereof; and,

FIG. 6 is a rear elevational view thereof.

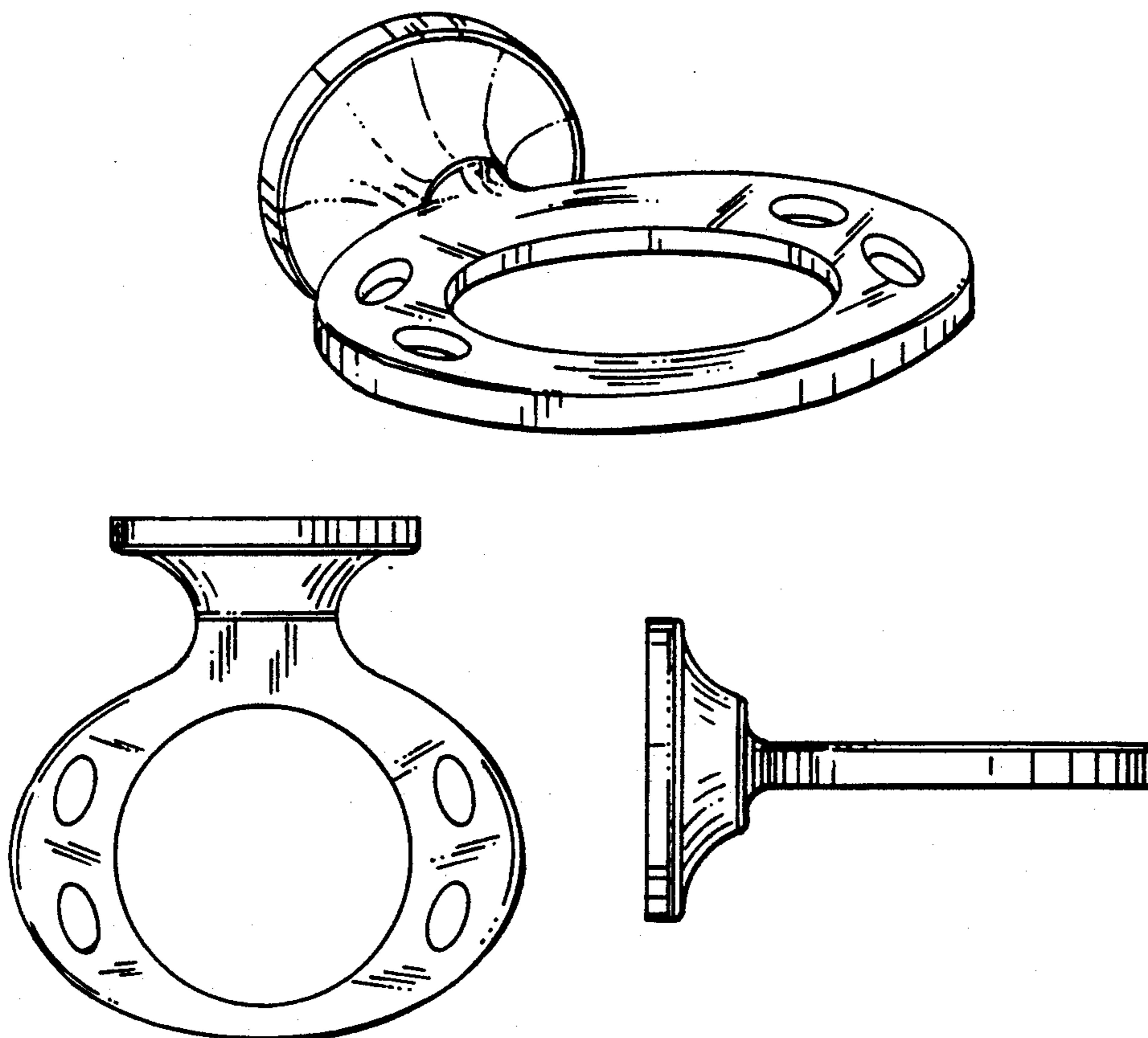


FIG. 1

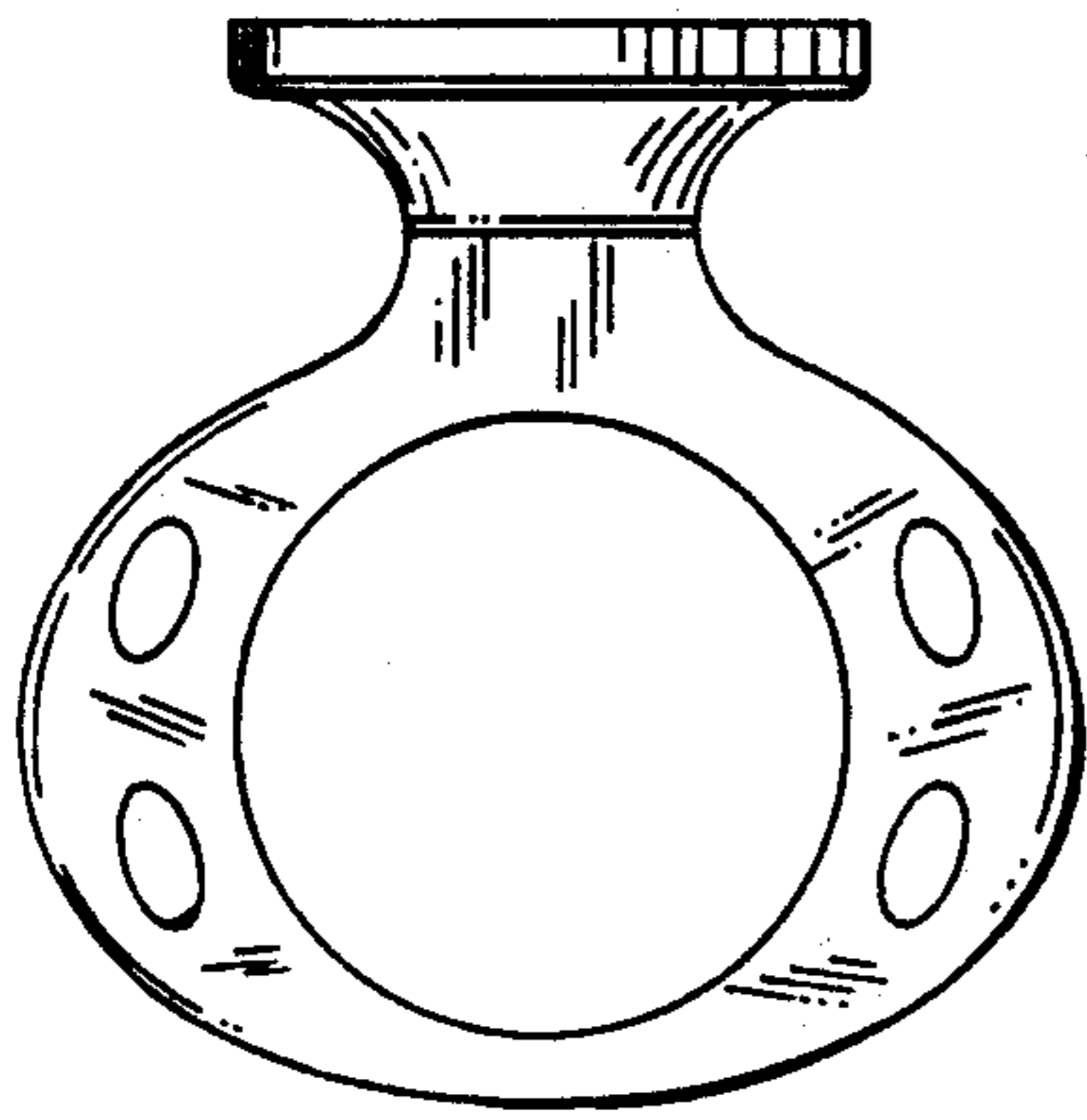
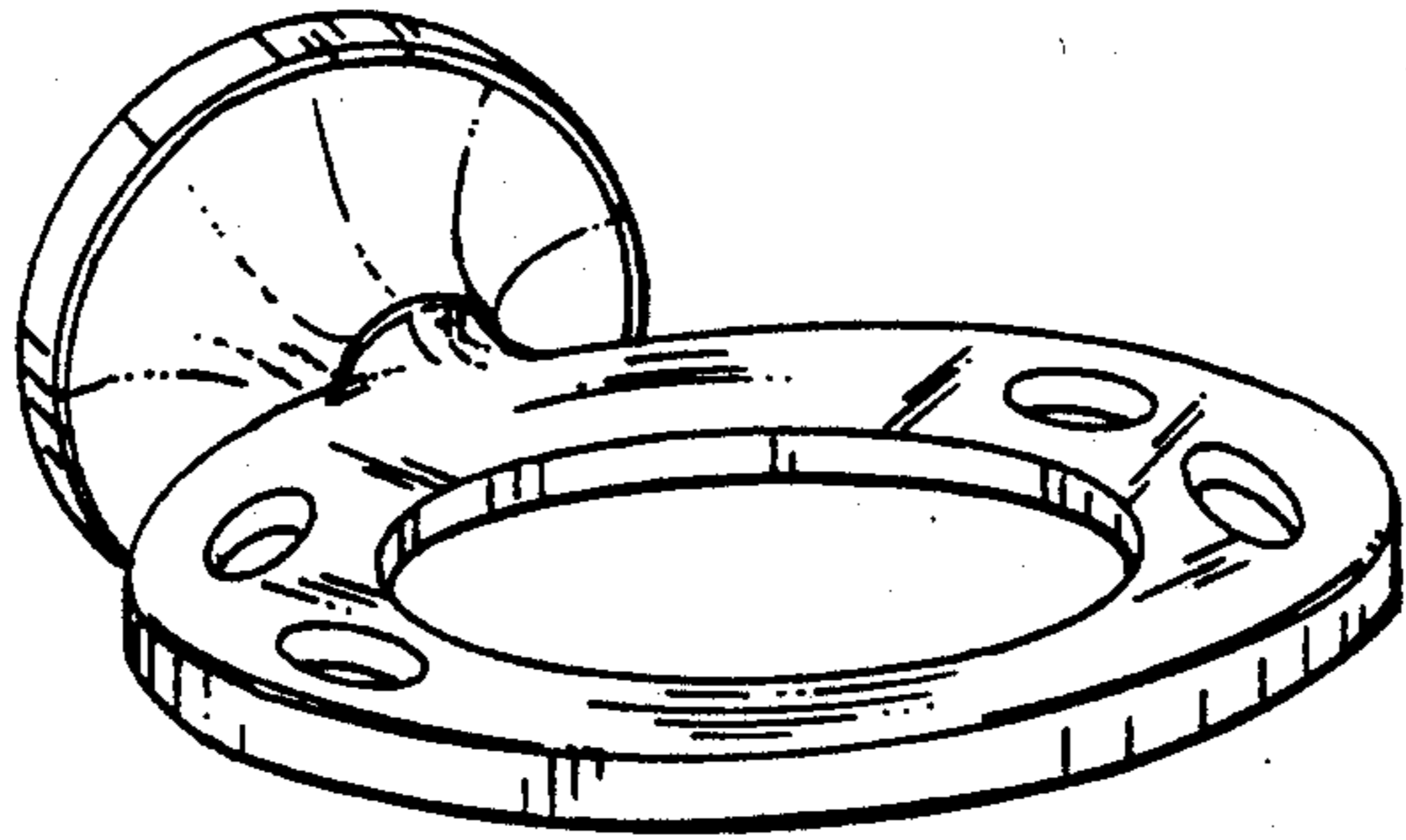


FIG. 2

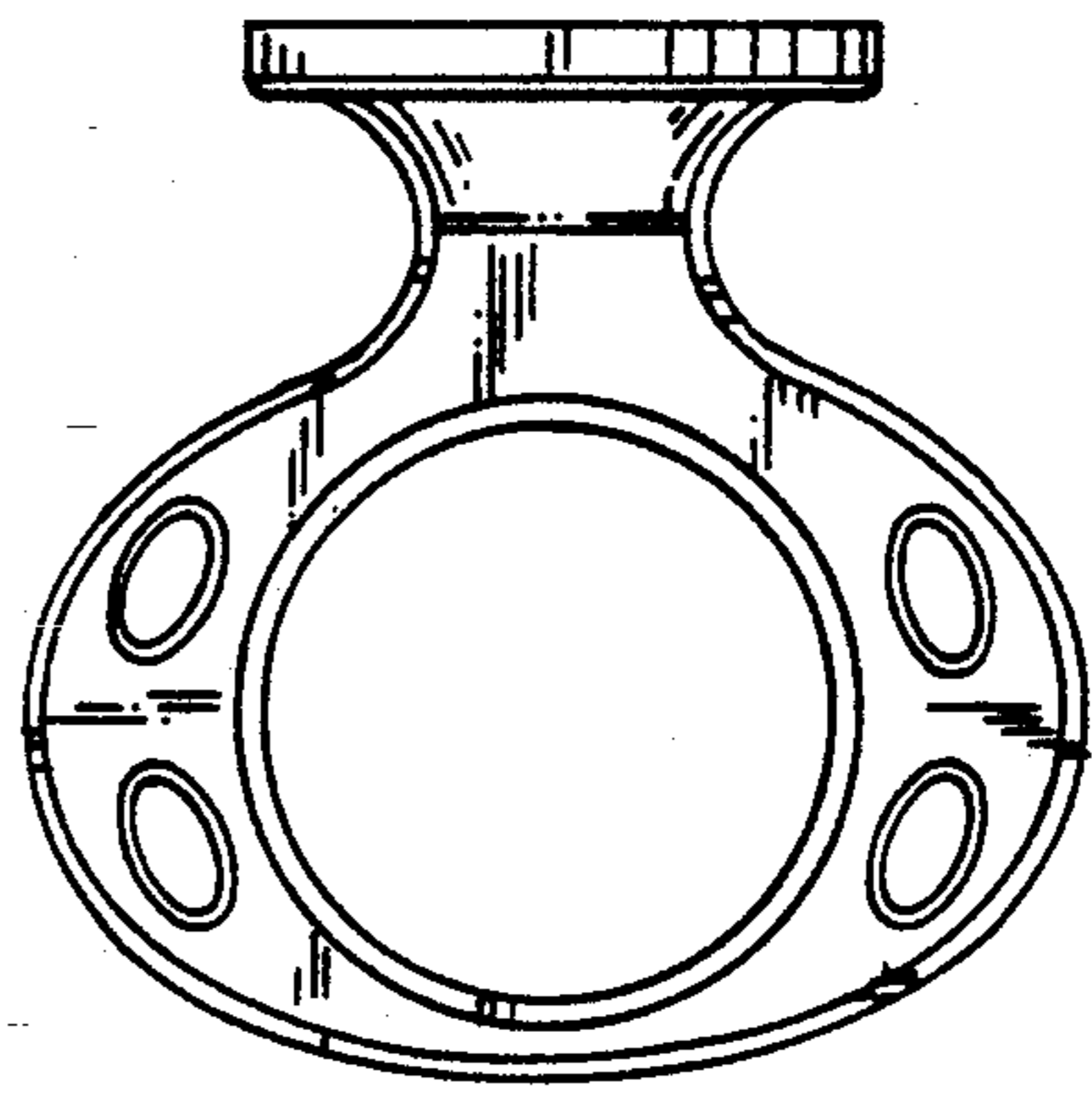


FIG. 3

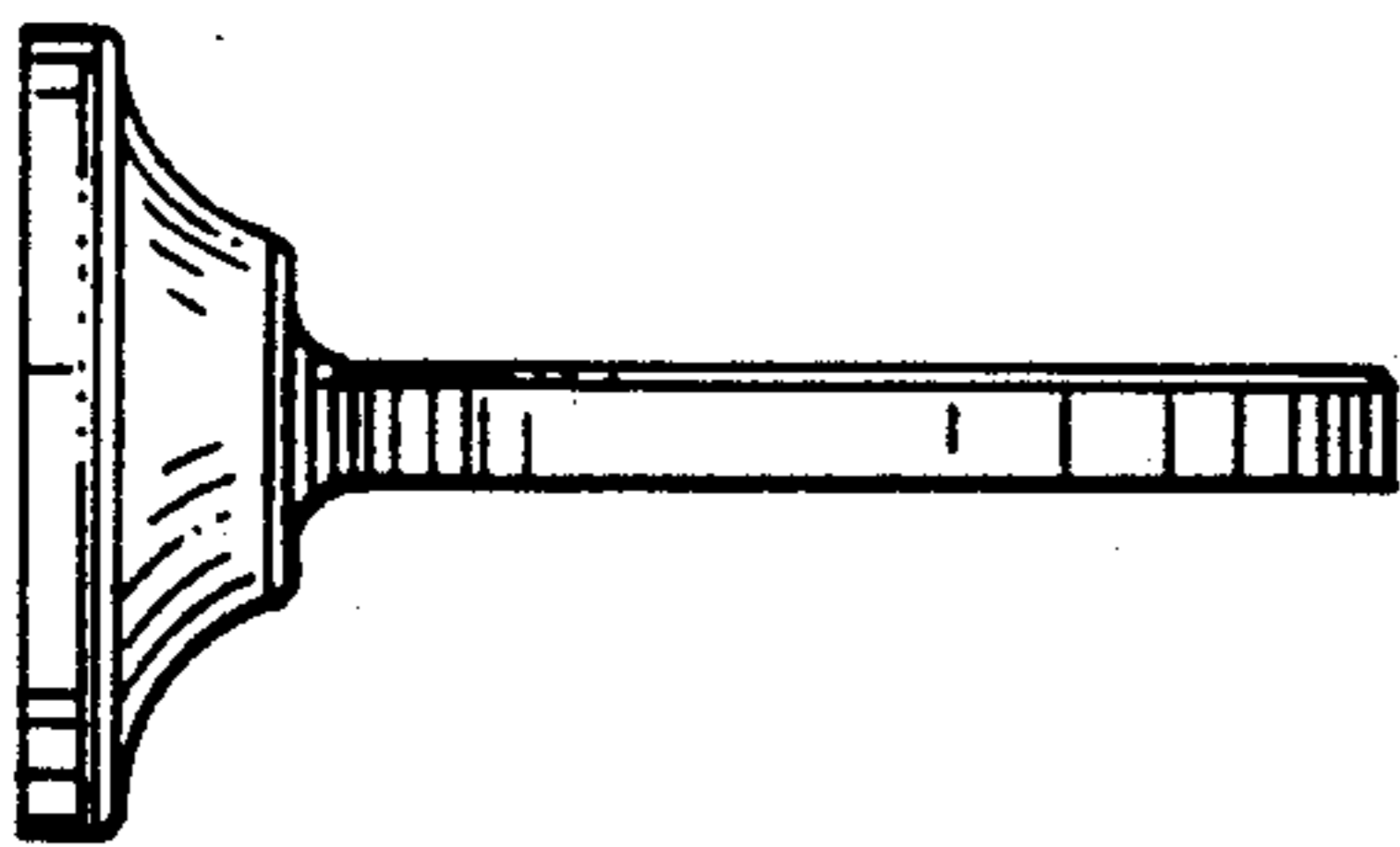


FIG. 4

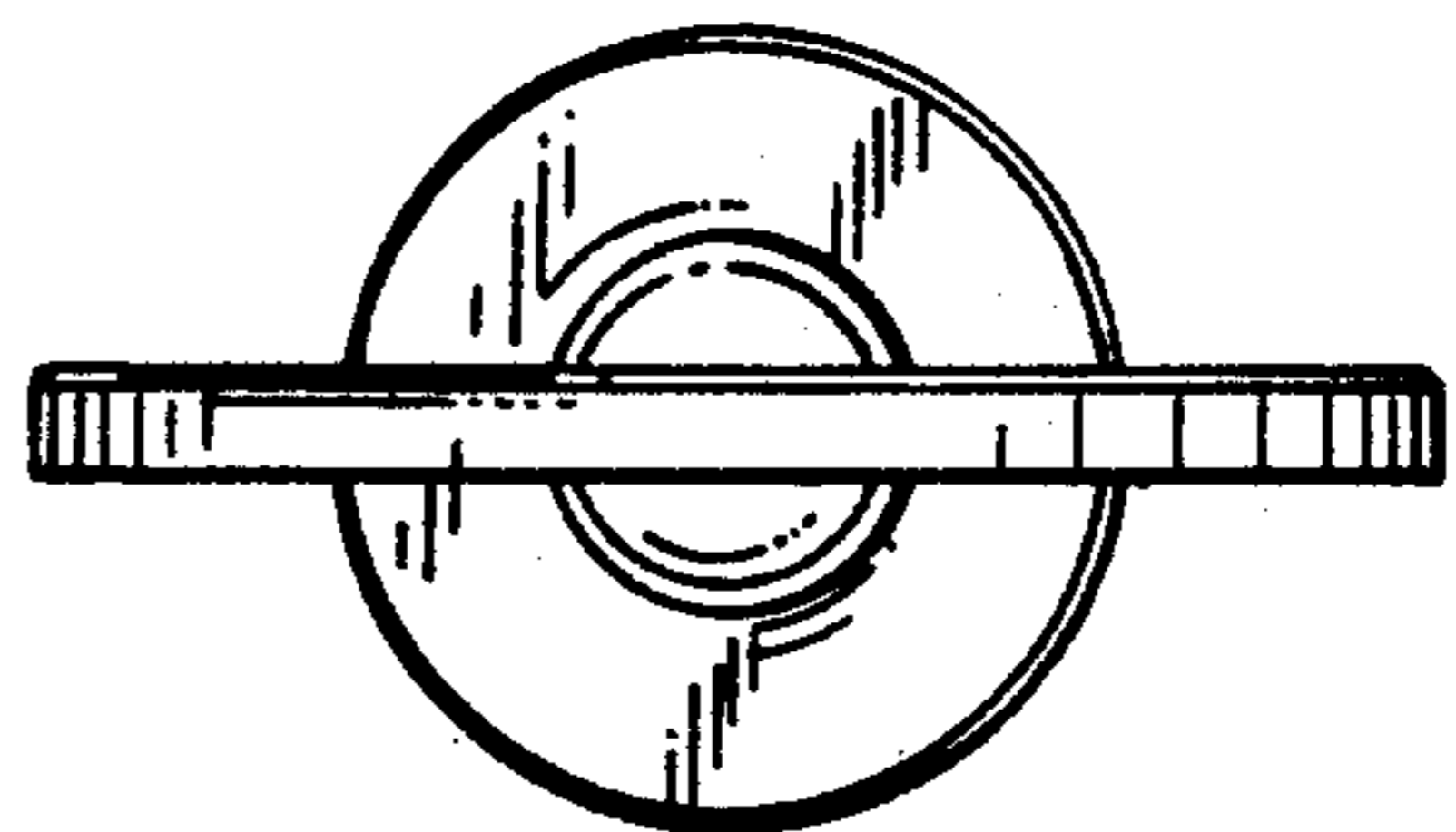


FIG. 5

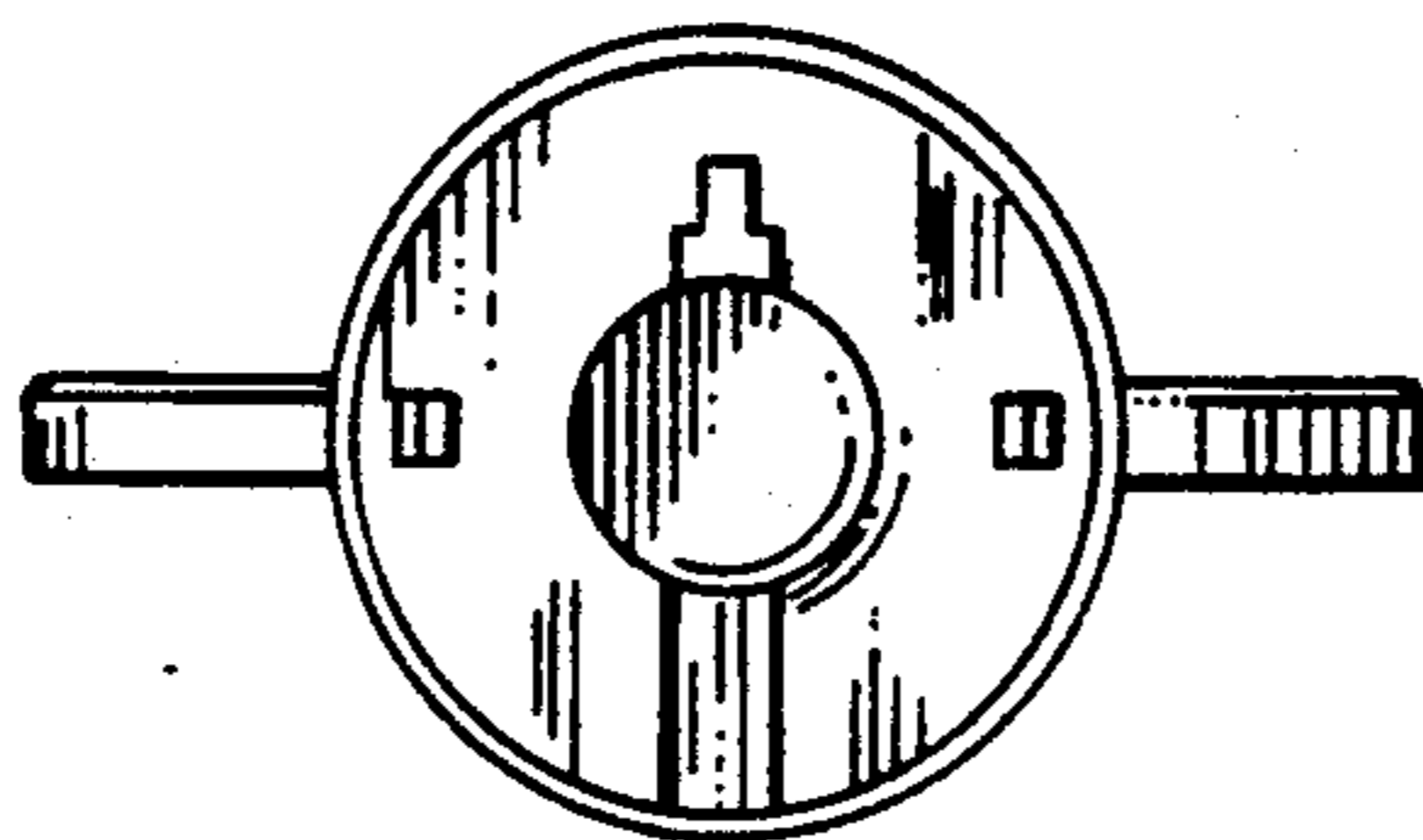


FIG. 6