



US00D337680S

United States Patent [19]

[11] Patent Number: **Des. 337,680**

Giugiaro

[45] Date of Patent: **** Jul. 27, 1993**

[54] PAPER DISPENSER

[75] Inventor: **Giorgetto Giugiaro, Turin, Italy**

[73] Assignee: **Molnlycke AB, Gothenburg, Sweden**

[**] Term: **14 Years**

[21] Appl. No.: **776,742**

[22] Filed: **Oct. 15, 1991**

[30] Foreign Application Priority Data

Apr. 15, 1991 [SE] Sweden 91-850

[52] U.S. Cl. **D6/518**

[58] Field of Search **D6/518-523;**
242/55.2, 55.53, 55.54; 206/389, 409

[56] References Cited

U.S. PATENT DOCUMENTS

D. 248,604	7/1978	Lander	D6/521
D. 267,684	1/1983	Lander	D6/521
D. 275,246	8/1984	Lander	D6/523 X
D. 326,973	6/1992	Froidevaux	D6/523
4,179,078	12/1979	Mansfield	242/55.53
4,796,832	1/1989	Schutz et al.	242/55.53 X

Primary Examiner—Brian N. Vinson

[57] CLAIM

The ornamental design for a paper dispenser, as shown and described.

DESCRIPTION

FIG. 1 is a top, front, and left side perspective view of a paper dispenser showing my new design;

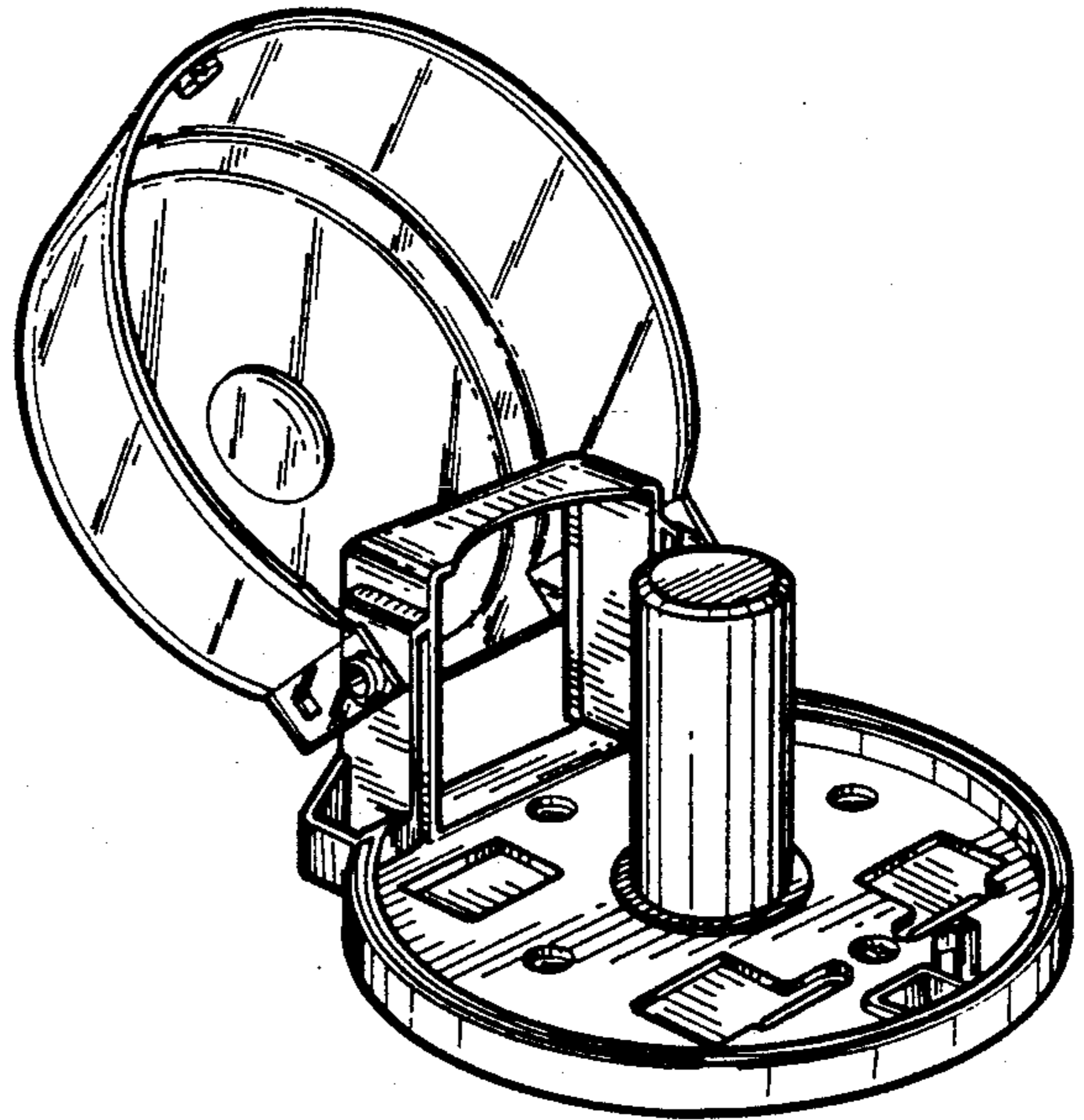
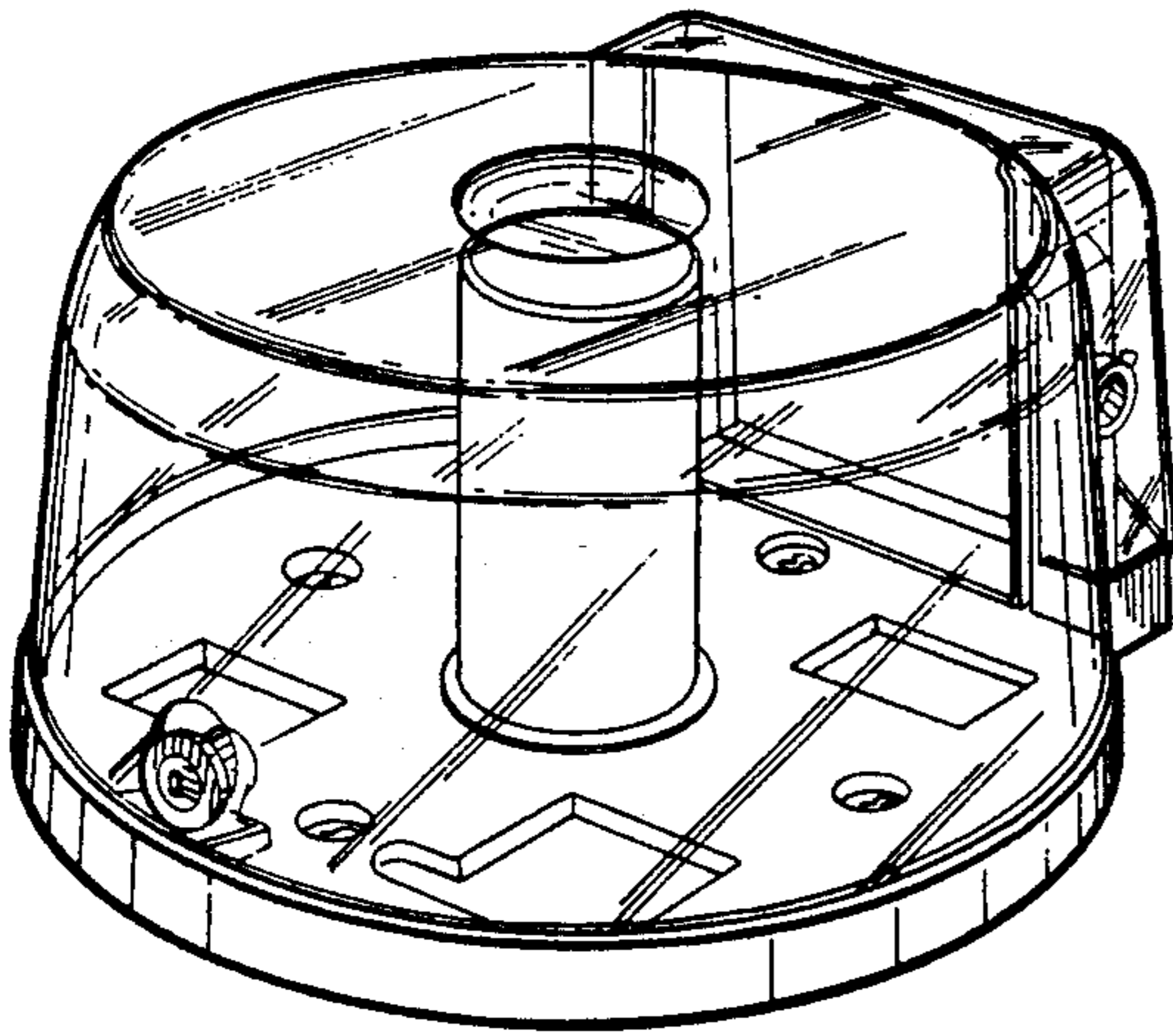
FIG. 2 is a bottom, front, and left side perspective view thereof;

FIG. 3 is a top, front, and right side perspective view thereof, with the casing being shown pivoted to an open position;

FIG. 4 is a top, front, and right side perspective view of the wall-mounting plate portion thereof, with the casing omitted for clarity of illustration;

FIG. 5 is a bottom, rear, and right side perspective view of the wall-mounting portion thereof, with the casing omitted for clarity of illustration; and,

FIG. 6 is a bottom, front, and right side perspective view of the casing portion thereof, with the wall-mounting portion omitted for clarity of illustration.



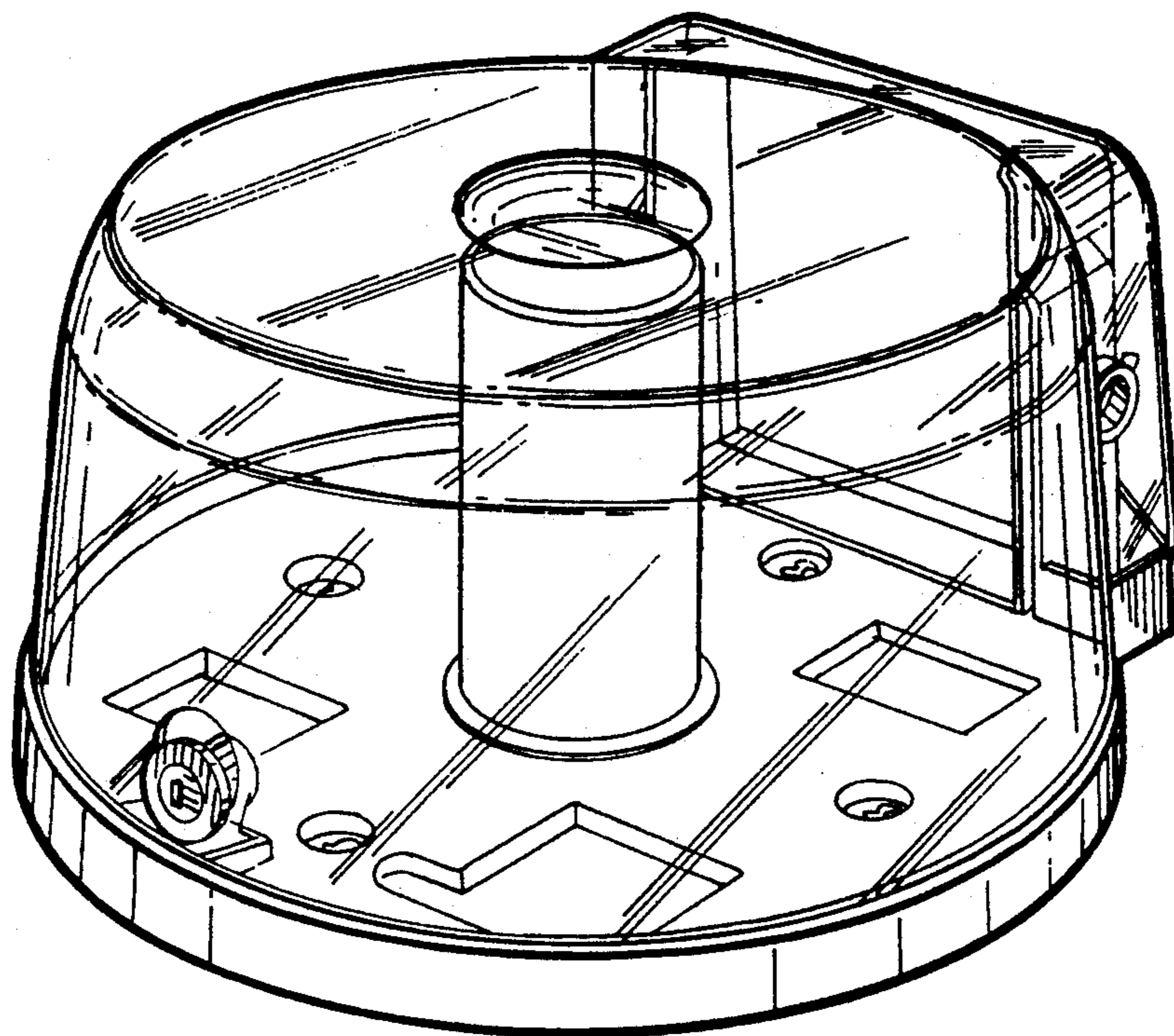


FIG. 1

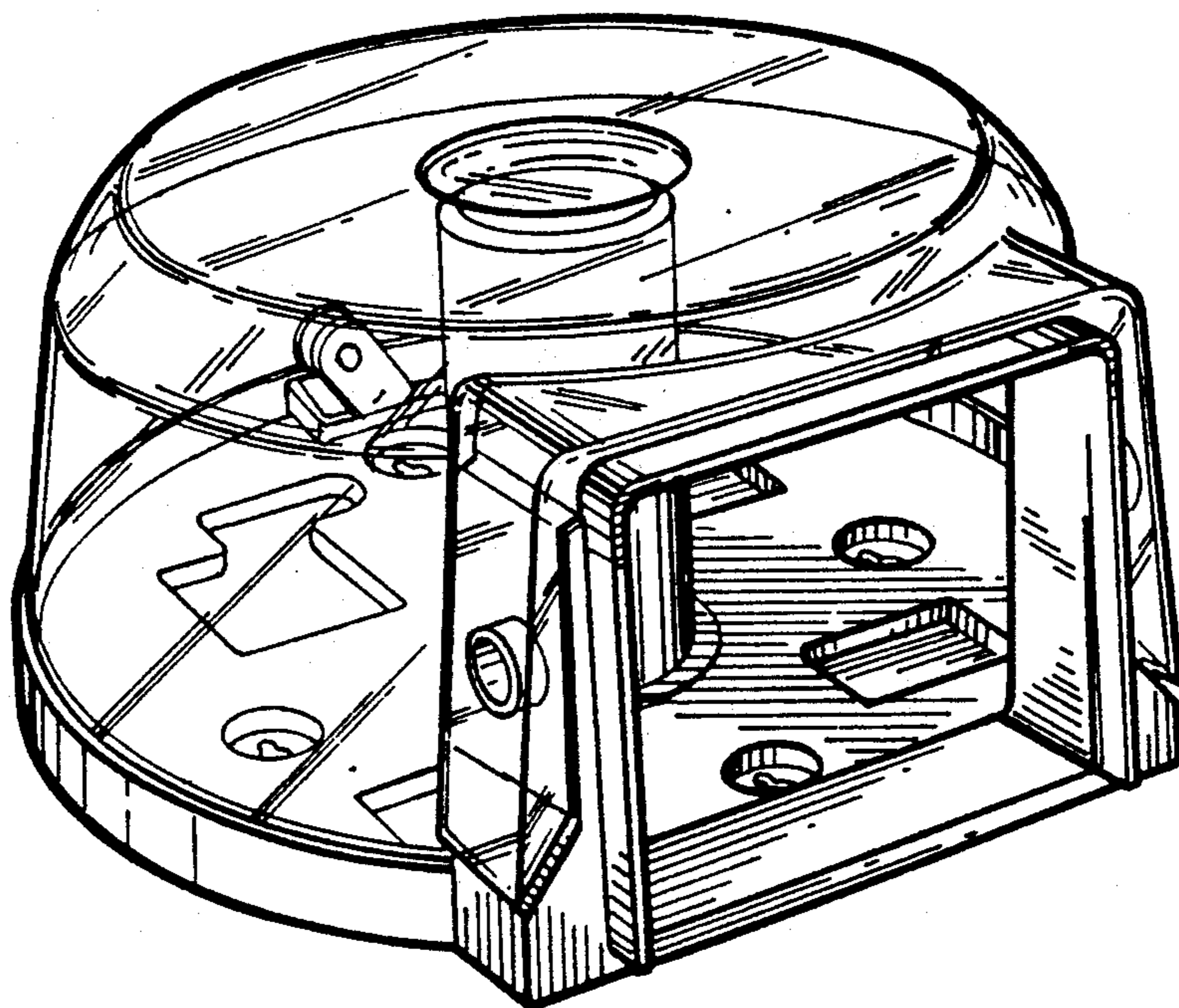


FIG. 2

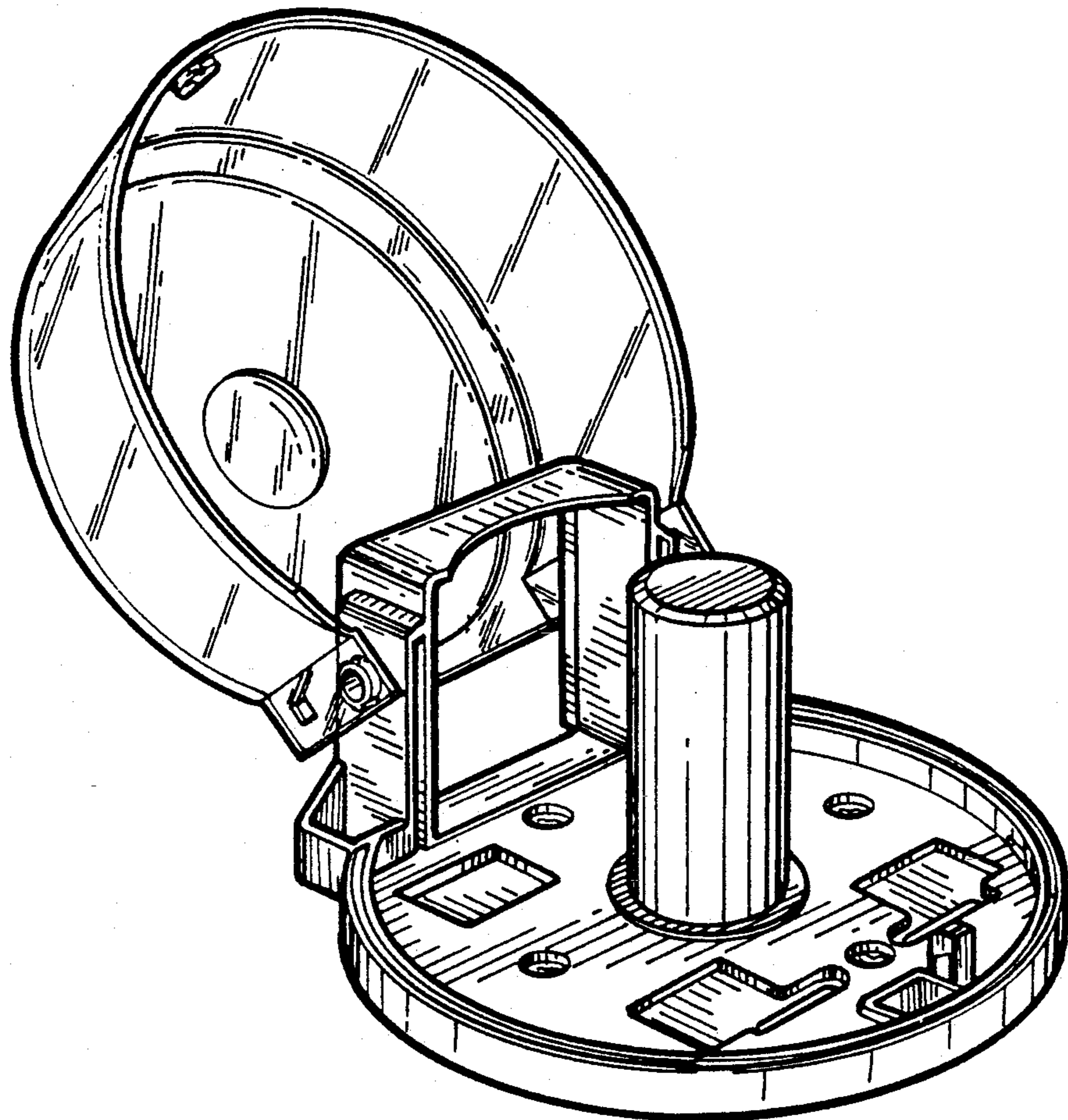


FIG. 3

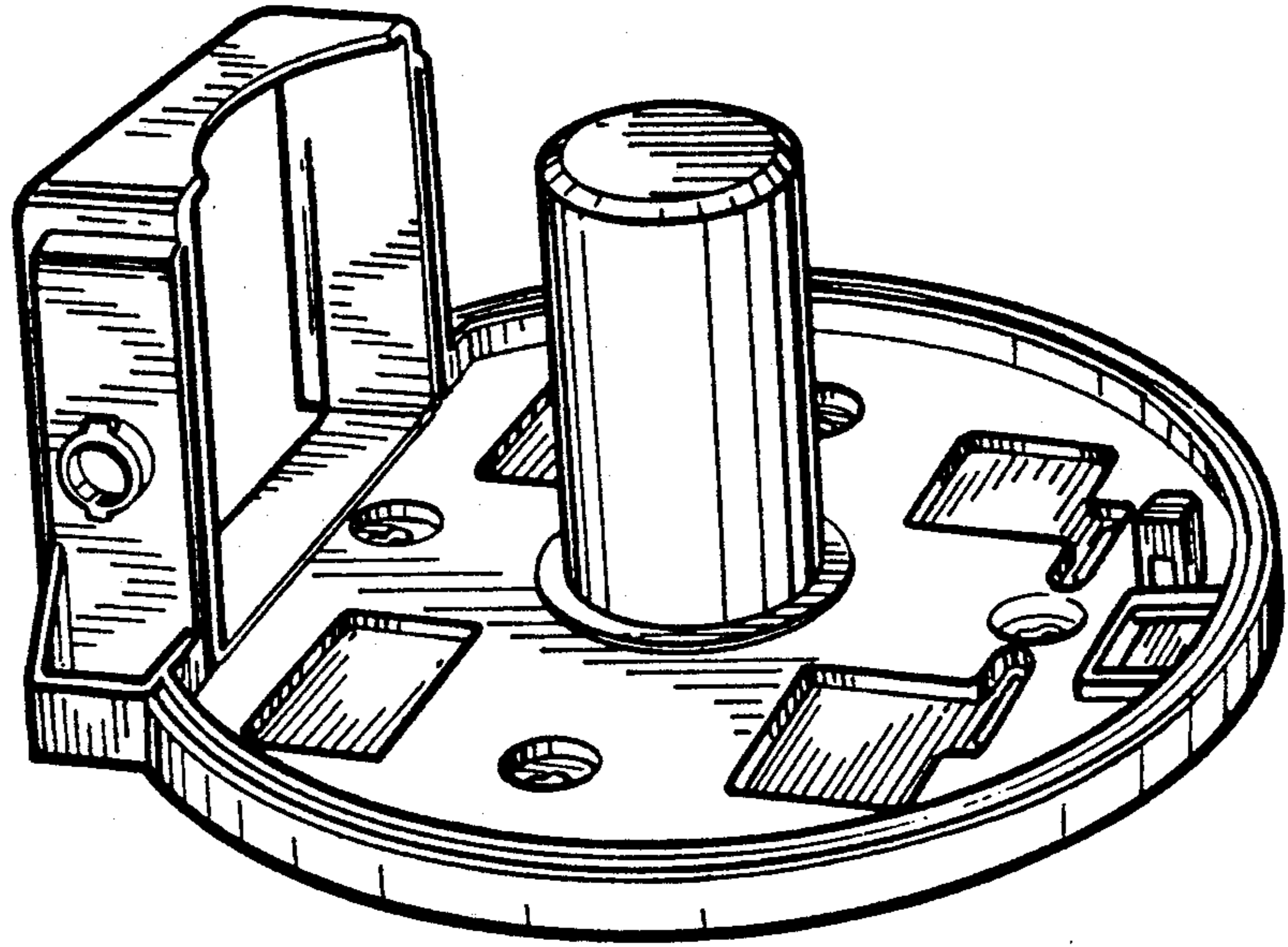


FIG. 4

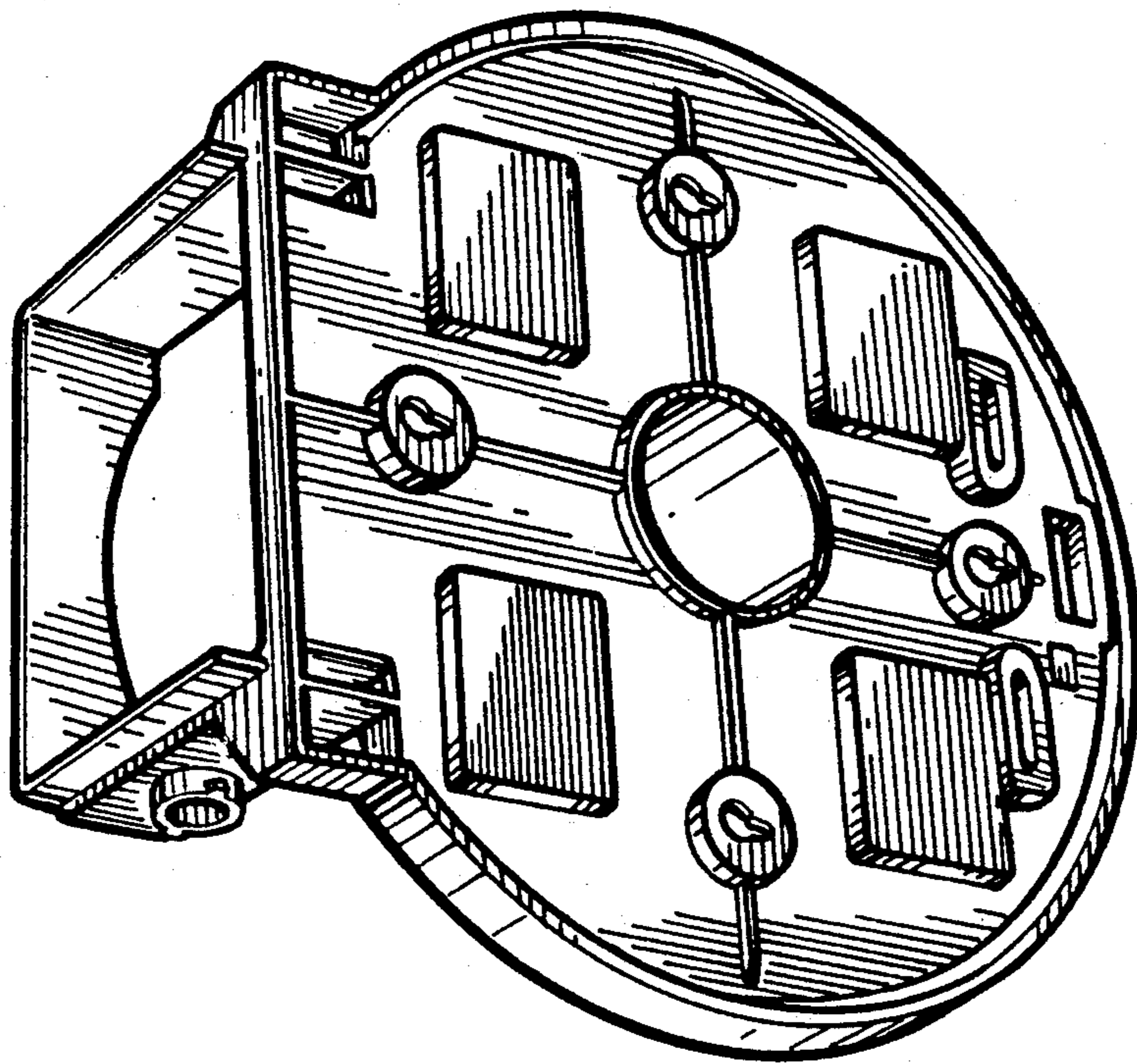


FIG. 5

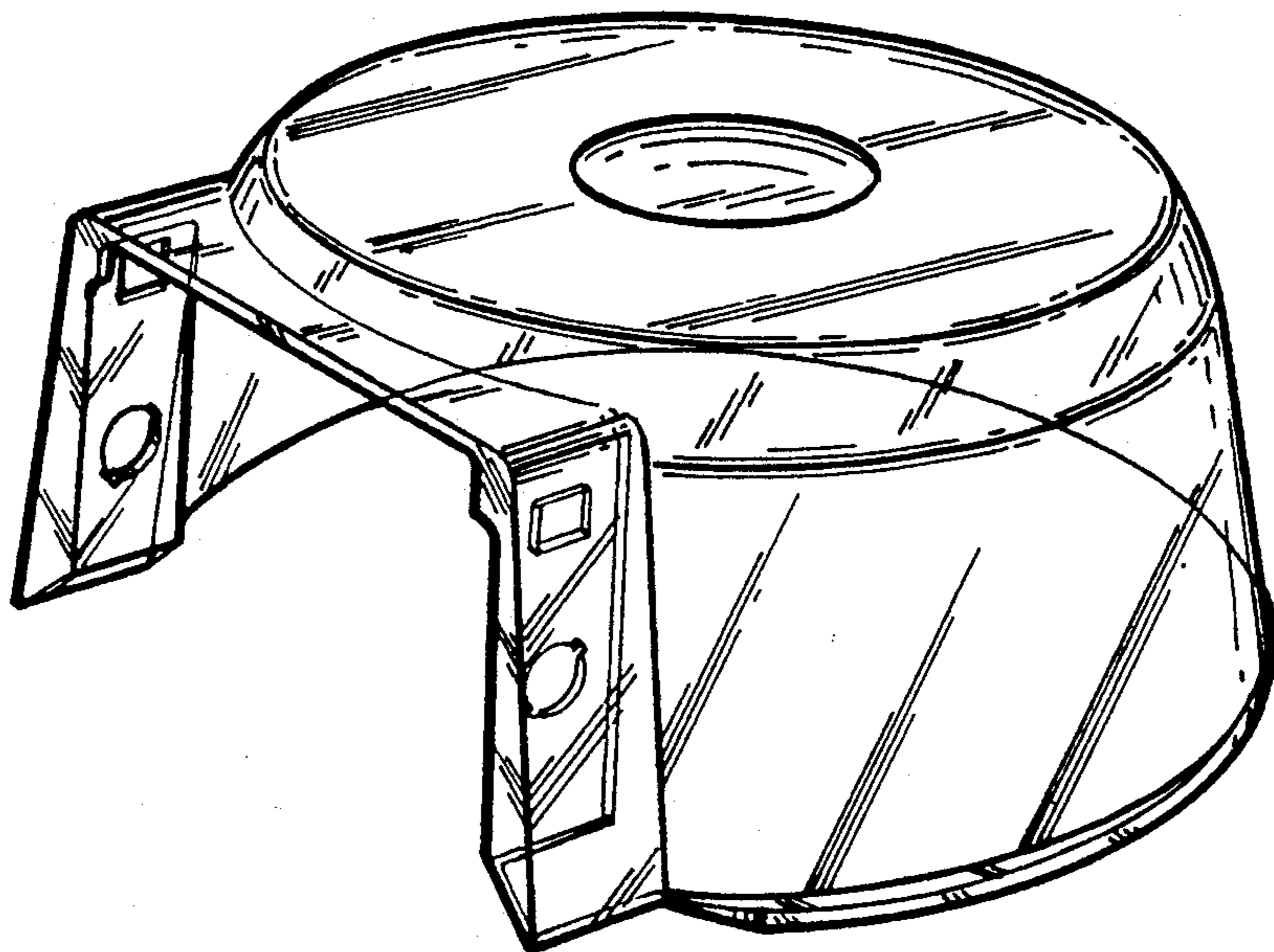


FIG. 6