



US00D337679S

United States Patent [19]

[11] Patent Number: **Des. 337,679**

Guigiario

[45] Date of Patent: **** Jul. 27, 1993**

[54] **PAPER DISPENSER**

[75] Inventor: **Giorgetto Guigiario, Turin, Italy**
[73] Assignee: **Molnlycke AB, Gothenburg, Sweden**
[**] Term: **14 Years**
[21] Appl. No.: **778,682**
[22] Filed: **Oct. 15, 1991**

[30] **Foreign Application Priority Data**

Apr. 15, 1991 [SE] Sweden 91-847
[52] U.S. Cl. **D6/518**
[58] Field of Search **D6/518-523;**
206/233, 554, 820; 211/49.5, 50; 221/22, 33, 45,
282; 248/905

[56] **References Cited**

U.S. PATENT DOCUMENTS

D. 56,730 12/1920 Teall D6/522 X
D. 180,622 7/1957 Schwarz D6/518
D. 316,200 4/1991 Dawson D6/518
4,706,844 11/1987 Omdow et al. D6/518 X
5,037,000 8/1991 Selame 221/303

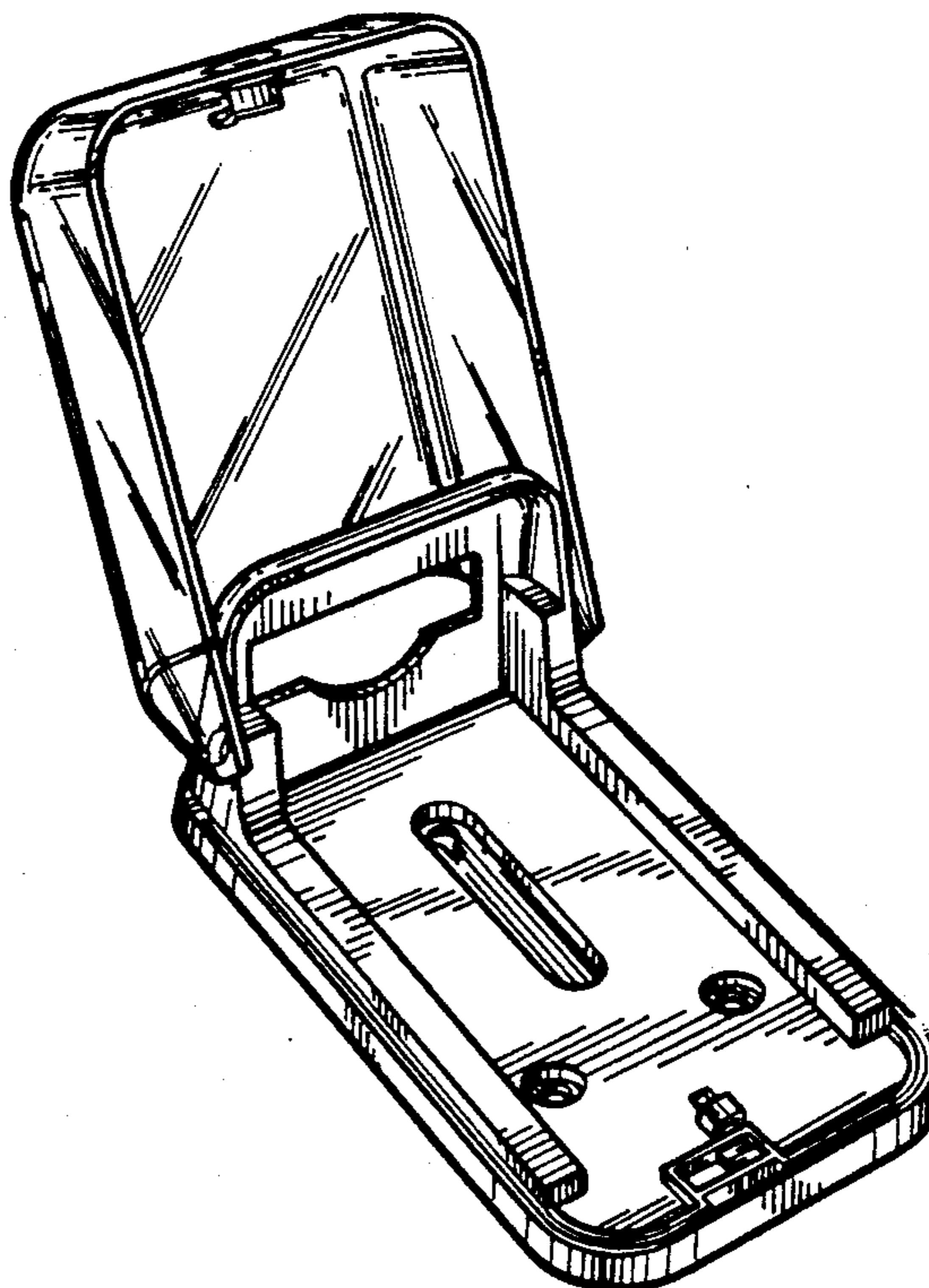
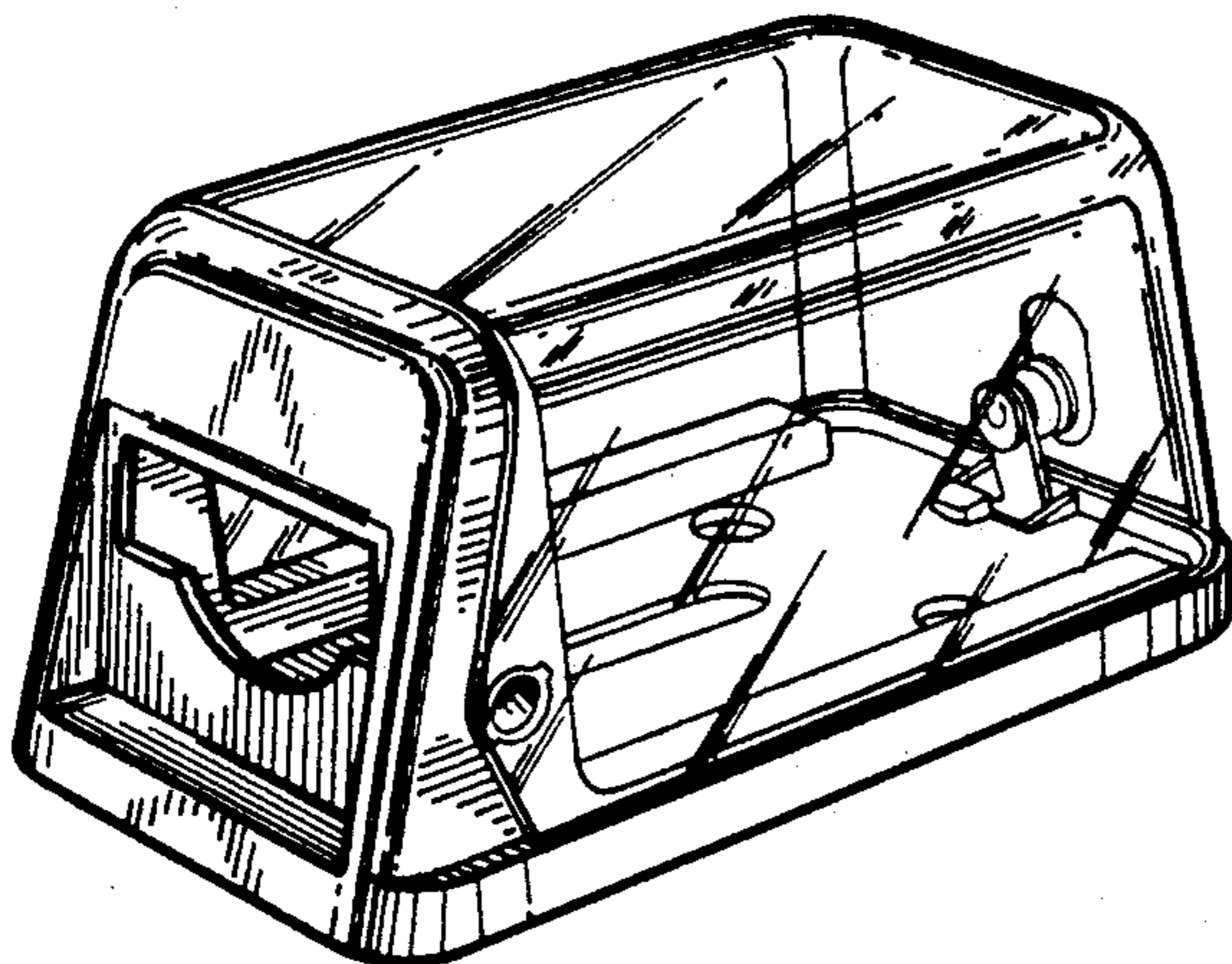
Primary Examiner—Brian N. Vinson

[57] **CLAIM**

The ornamental design for a paper dispenser, as shown and described.

DESCRIPTION

FIG. 1 is a bottom, front, and right side perspective view of a paper dispenser showing my new design; FIG. 2 is a top, front, and left side perspective view thereof; FIG. 3 is a top, front, and right side perspective view thereof, with the casing being shown pivoted to an open position; FIG. 4 is a top, front, and left side perspective view of the wall-mounting plate portion thereof, with the casing omitted for clarity of illustration; FIG. 5 is a top, rear, and right side perspective view of the wall-mounting portion thereof, with the casing omitted for clarity of illustration; and, FIG. 6 is a bottom, front and left side perspective view of the casing portion thereof, with the wall-mounting portion omitted for clarity of illustration.



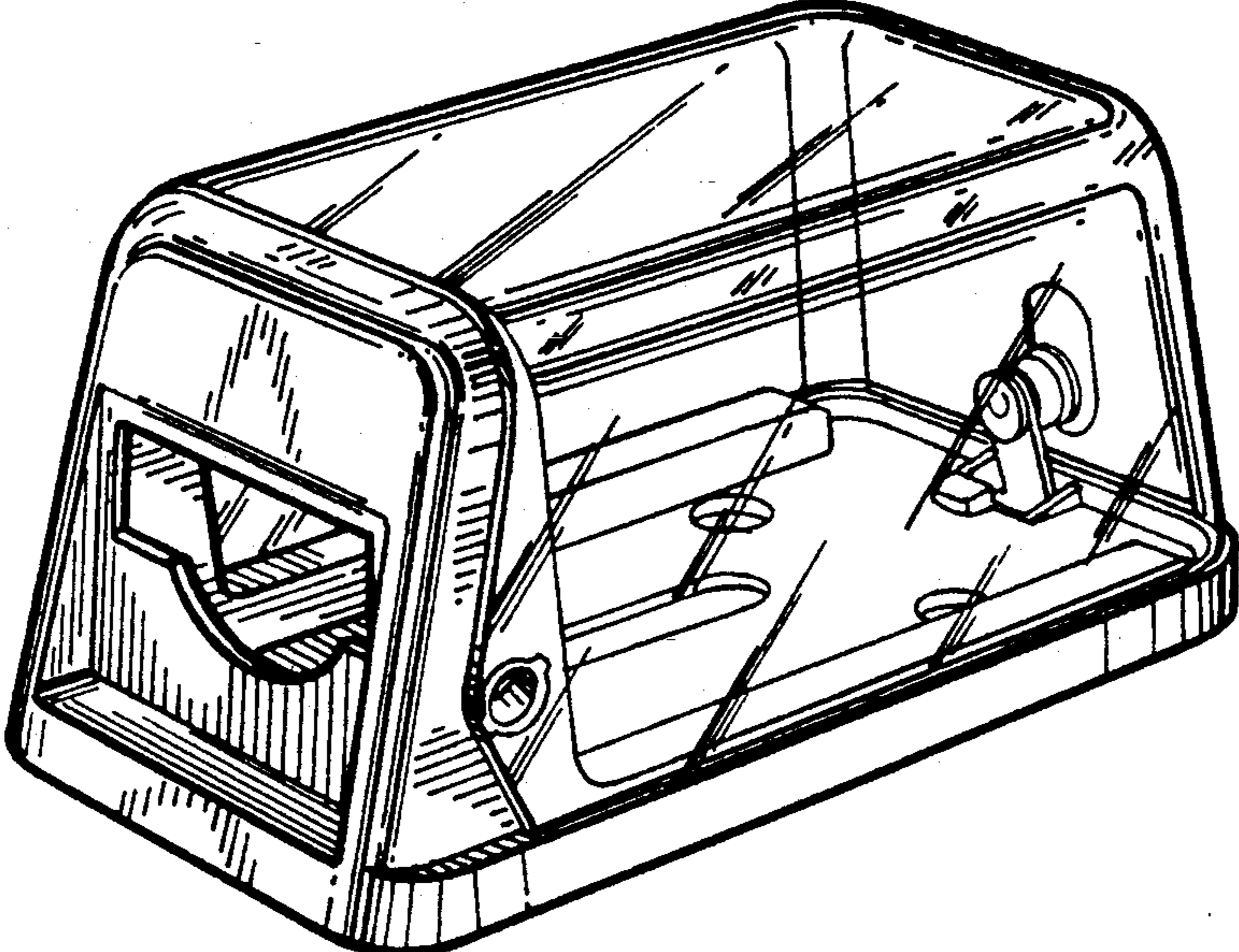


FIG. 1

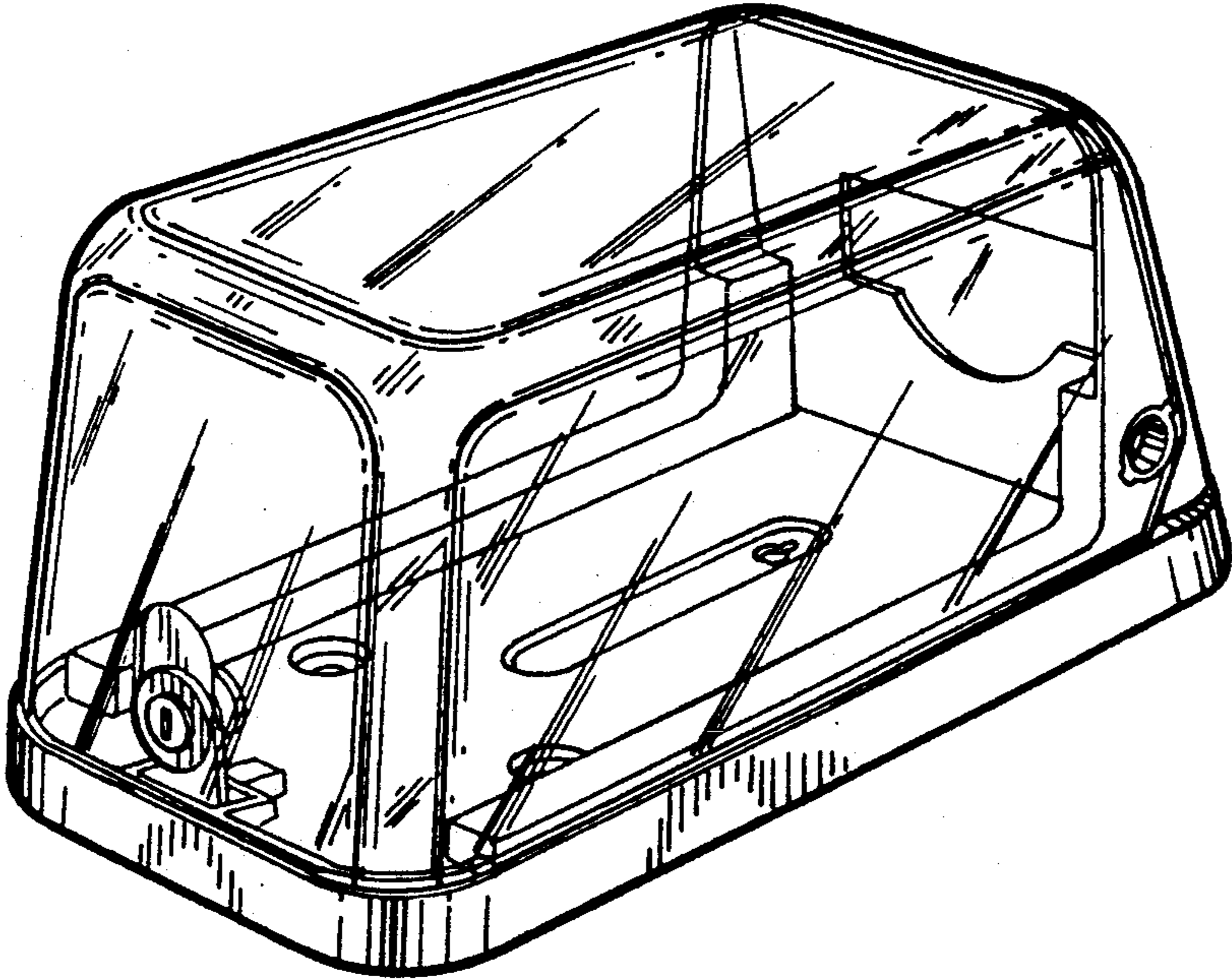


FIG. 2

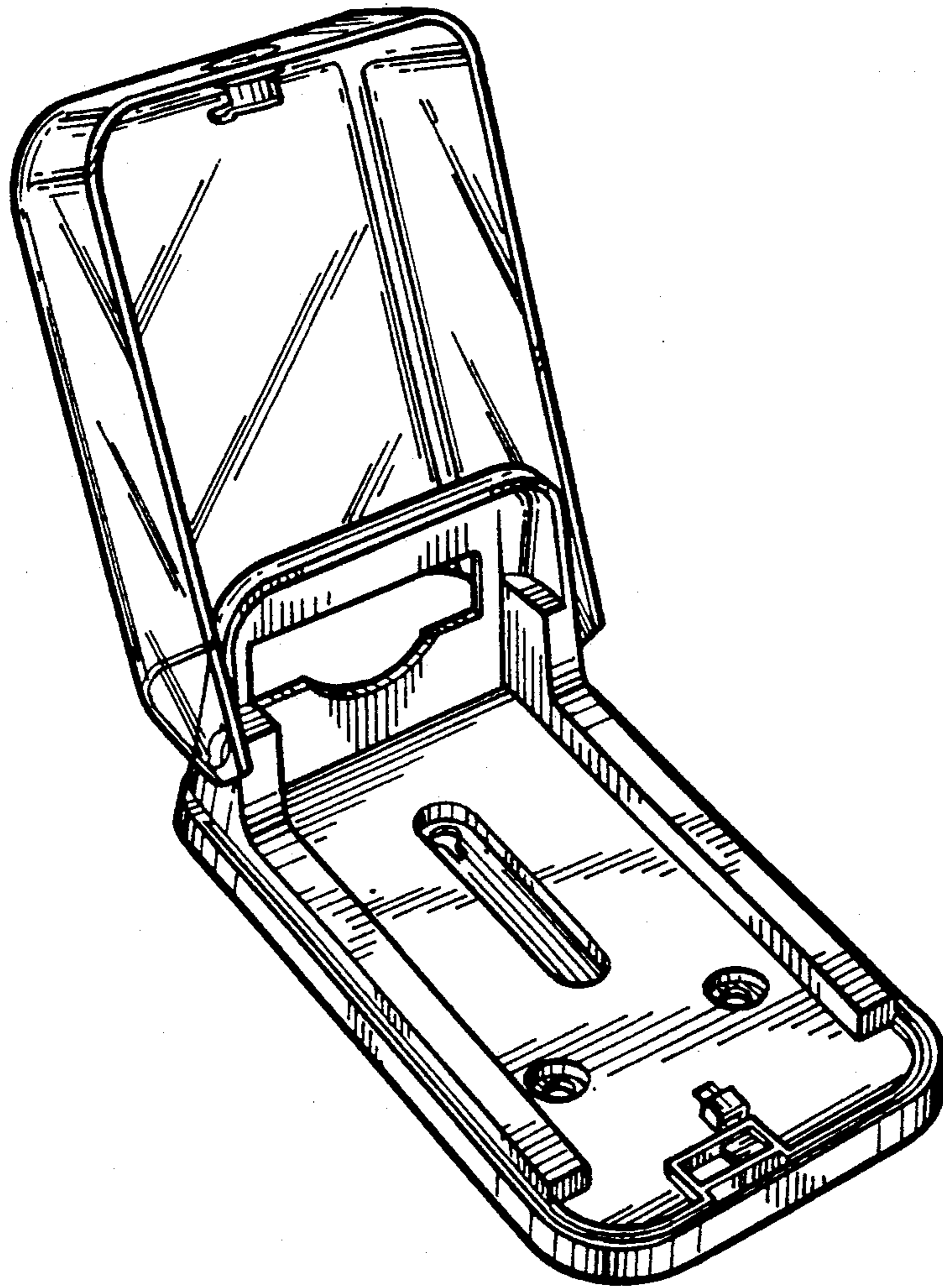


FIG. 3

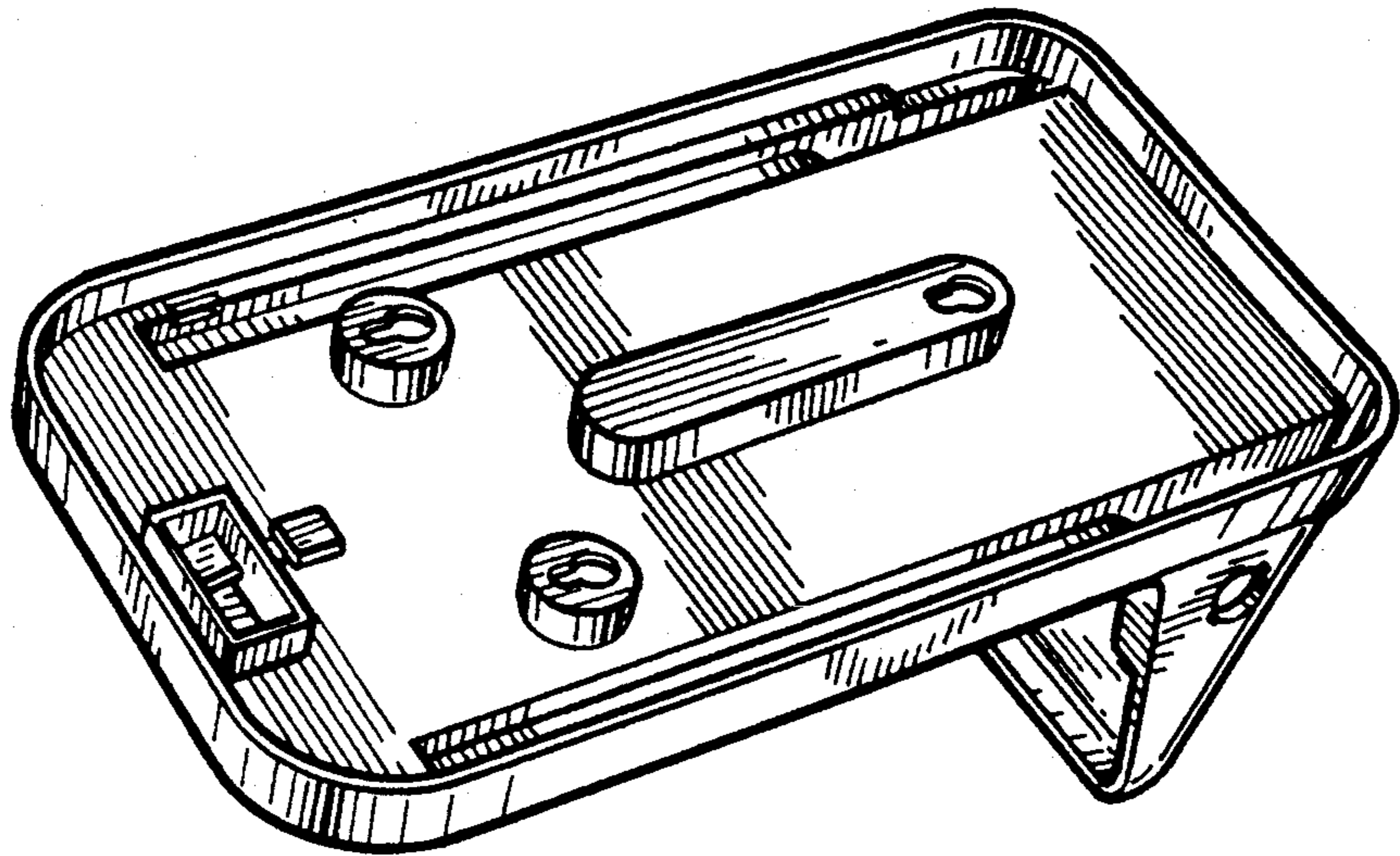


FIG. 4

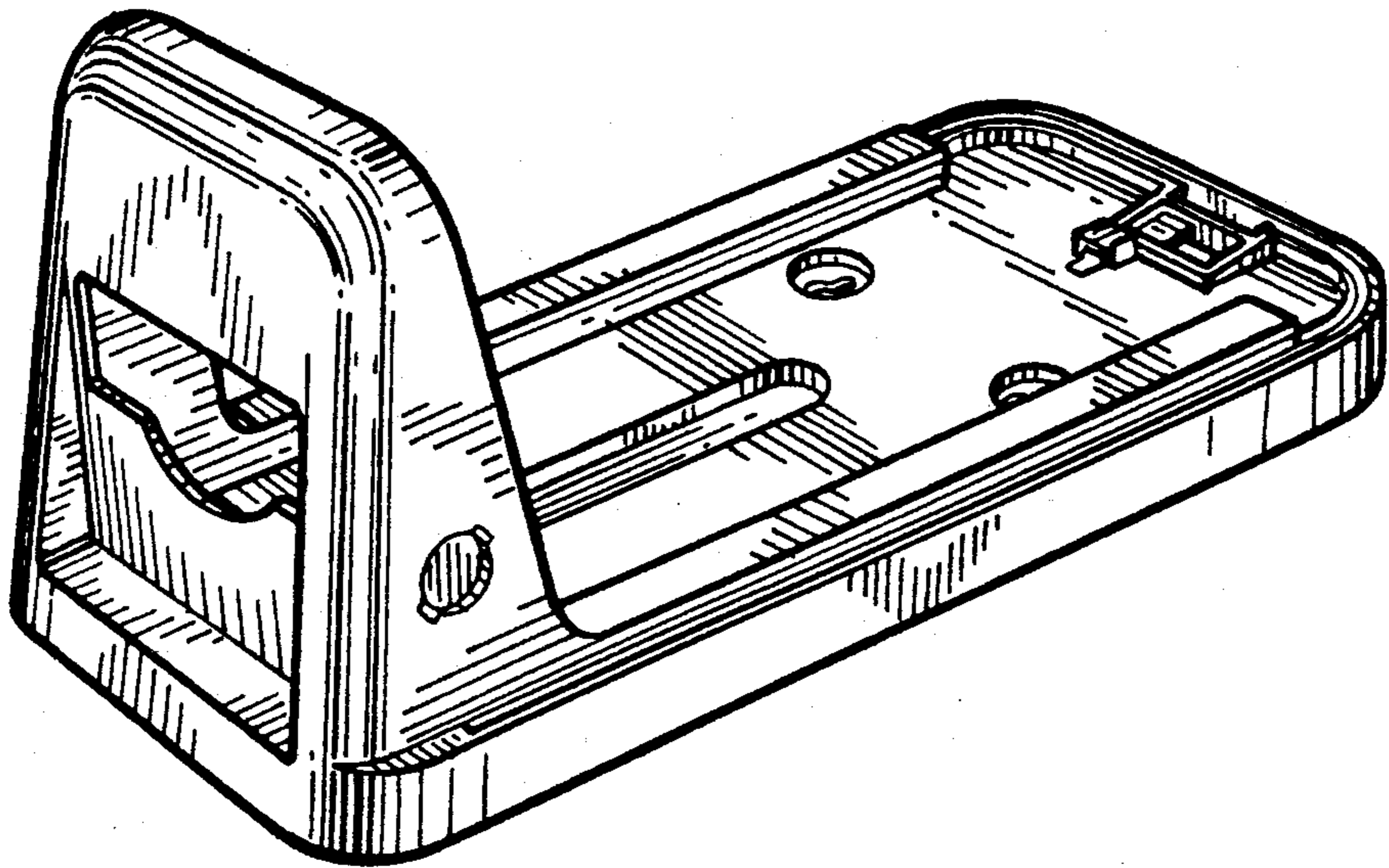


FIG. 5

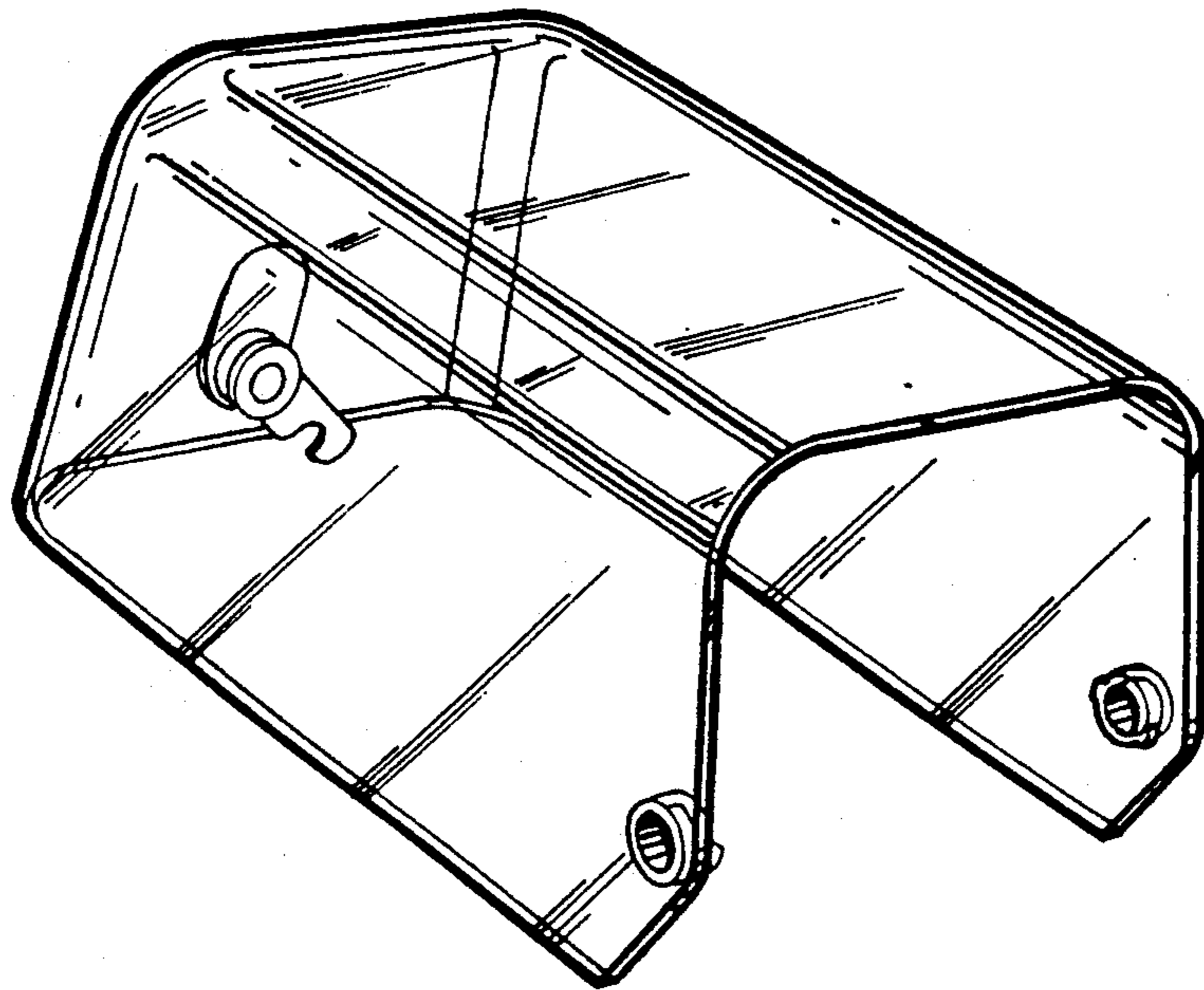


FIG. 6

UNITED STATES PATENT AND TRADEMARK OFFICE
CERTIFICATE OF CORRECTION

PATENT NO. : Des. 337,679
DATED : July 27, 1993
INVENTOR(S) : Giorgetto Giugiaro

It is certified that error appears in the above-identified patent and that said Letters Patent is hereby corrected as shown below:

On the Title page, under item [19], "Guigiario" should read --Giugiaro--.
item [75], "Inventor" should read --Giorgetto
Giugiaro--.

Signed and Sealed this
Fifth Day of April, 1994



BRUCE LEHMAN

Commissioner of Patents and Trademarks

Attest:

Attesting Officer