



US00D337677S

# United States Patent [19]

[11] Patent Number: **Des. 337,677**

**Loznikov**

[45] Date of Patent: **\*\* Jul. 27, 1993**

## [54] TABLE BASE

[76] Inventor: **Mikhail Loznikov**, 2007 Balboa St.,  
San Francisco, Calif. 94121

[\*\*] Term: **14 Years**

[21] Appl. No.: **820,953**

[22] Filed: **Jan. 14, 1992**

[52] U.S. Cl. .... **D6/495; D6/482**

[58] Field of Search ..... **D6/480, 482-489,  
D6/495, 496, 498, 499; 108/152, 153, 161**

## [56] References Cited

### U.S. PATENT DOCUMENTS

D. 114,758	5/1939	Hartman	.....	D6/480	X
D. 115,119	6/1939	Marano	.....	D6/483	X
D. 138,819	9/1944	Larson	.....	D6/488	
D. 138,821	9/1944	Larson	.....	D6/484	
D. 333,395	2/1993	Loznikov	.....	D6/482	X

## OTHER PUBLICATIONS

*Interiors*—Oct. 1969, p. 82, space sculpture at top left.

*Primary Examiner*—Alan P. Douglas

*Assistant Examiner*—J. E. Seeger

*Attorney, Agent, or Firm*—Phillips, Moore, Lempio & Finley

## [57] CLAIM

The ornamental design for a table base, as shown and described.

## DESCRIPTION

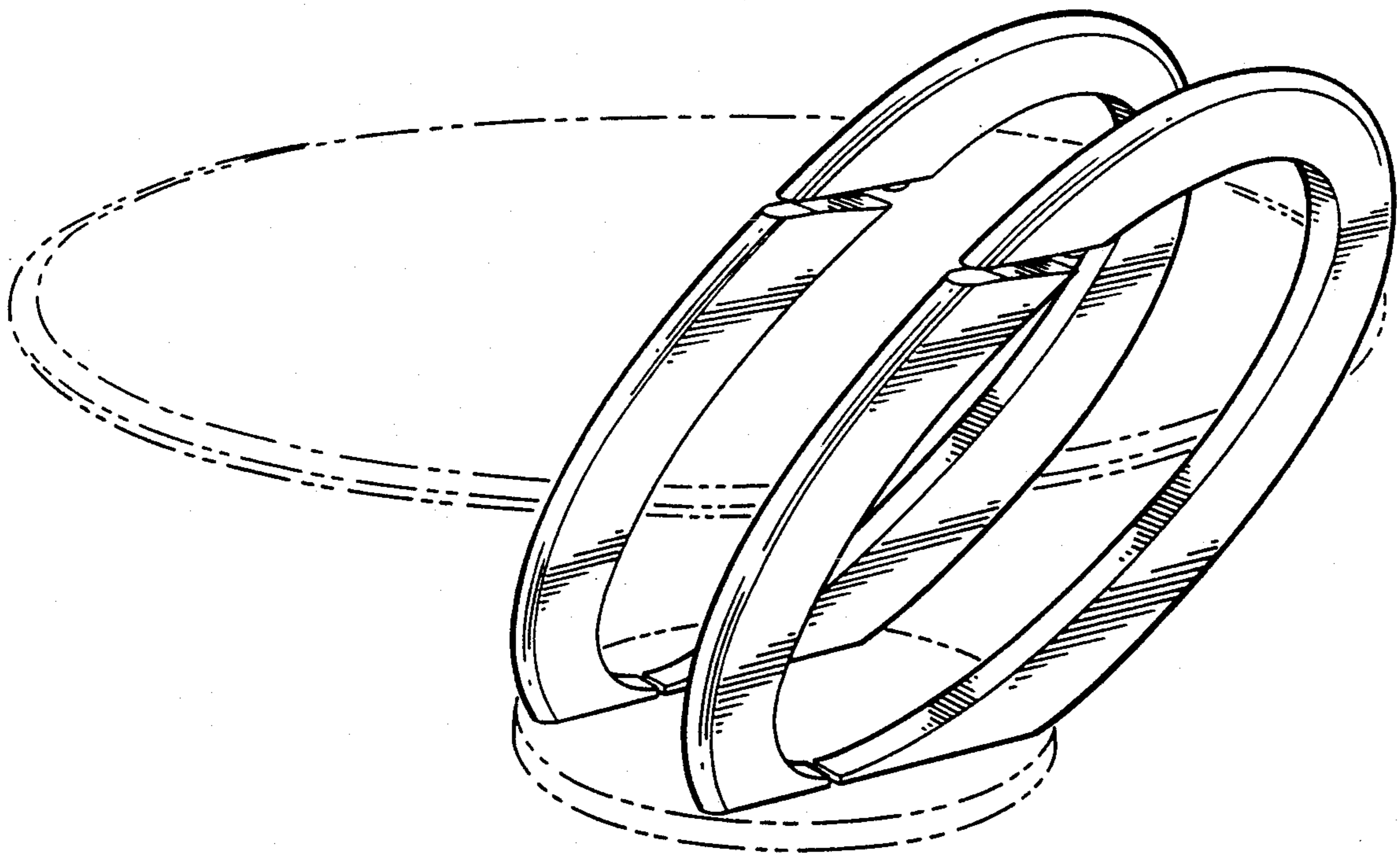
FIG. 1 is an isometric view of a table base showing my new design;

FIG. 2 is a side elevational view thereof;

FIG. 3 is a top plan view thereof; and,

FIG. 4 is a rear elevational view thereof.

The broken lines are for environmental purposes only and form no part of the claimed design.



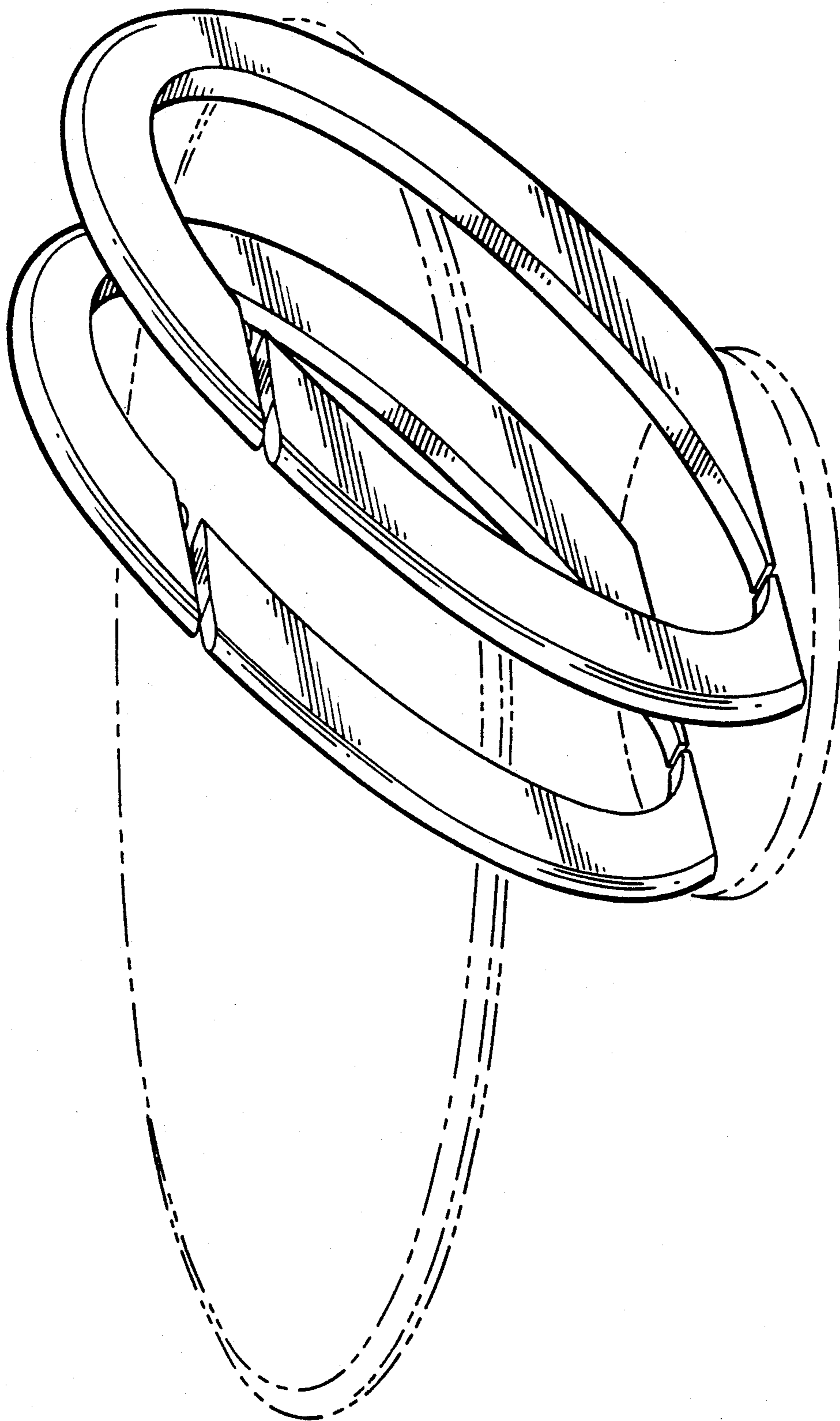


FIGURE 1

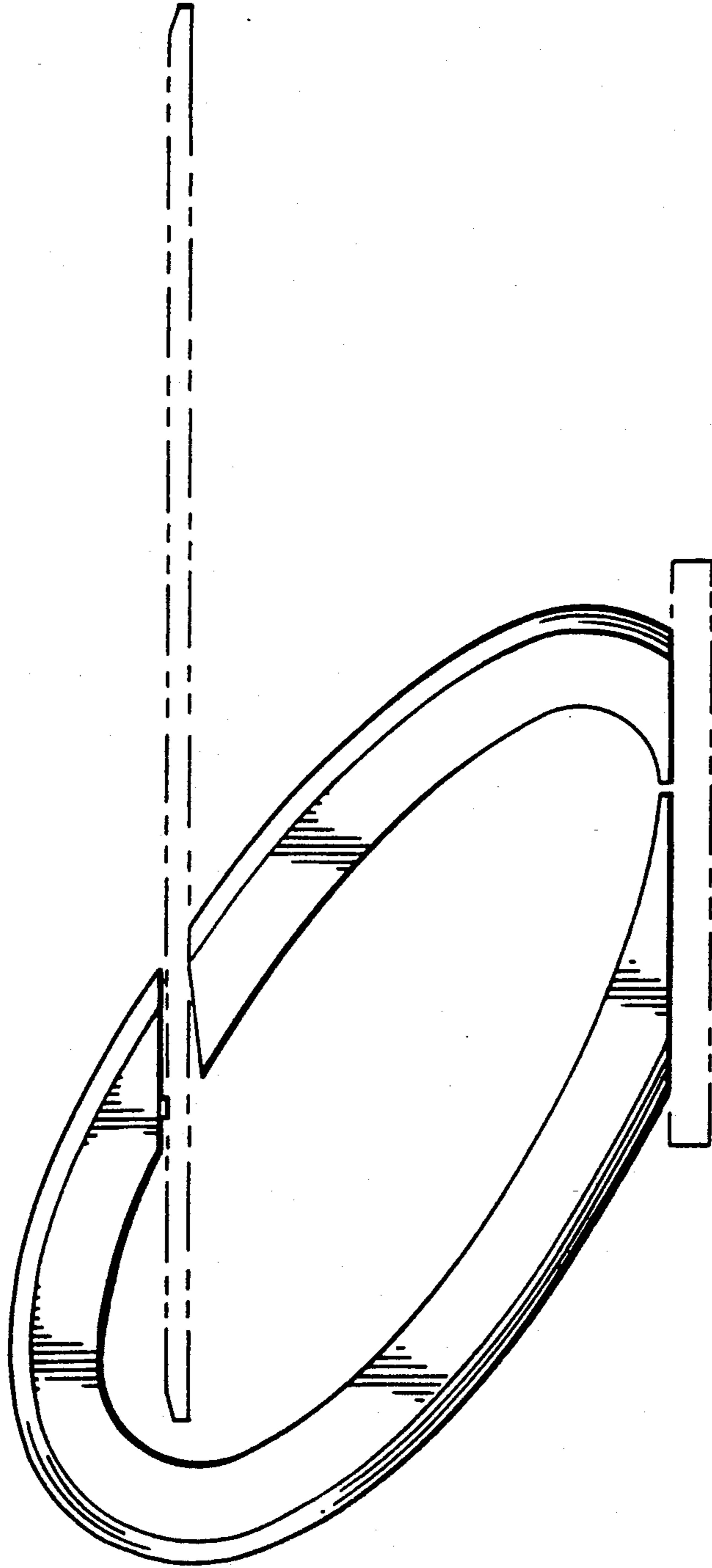


FIGURE 2

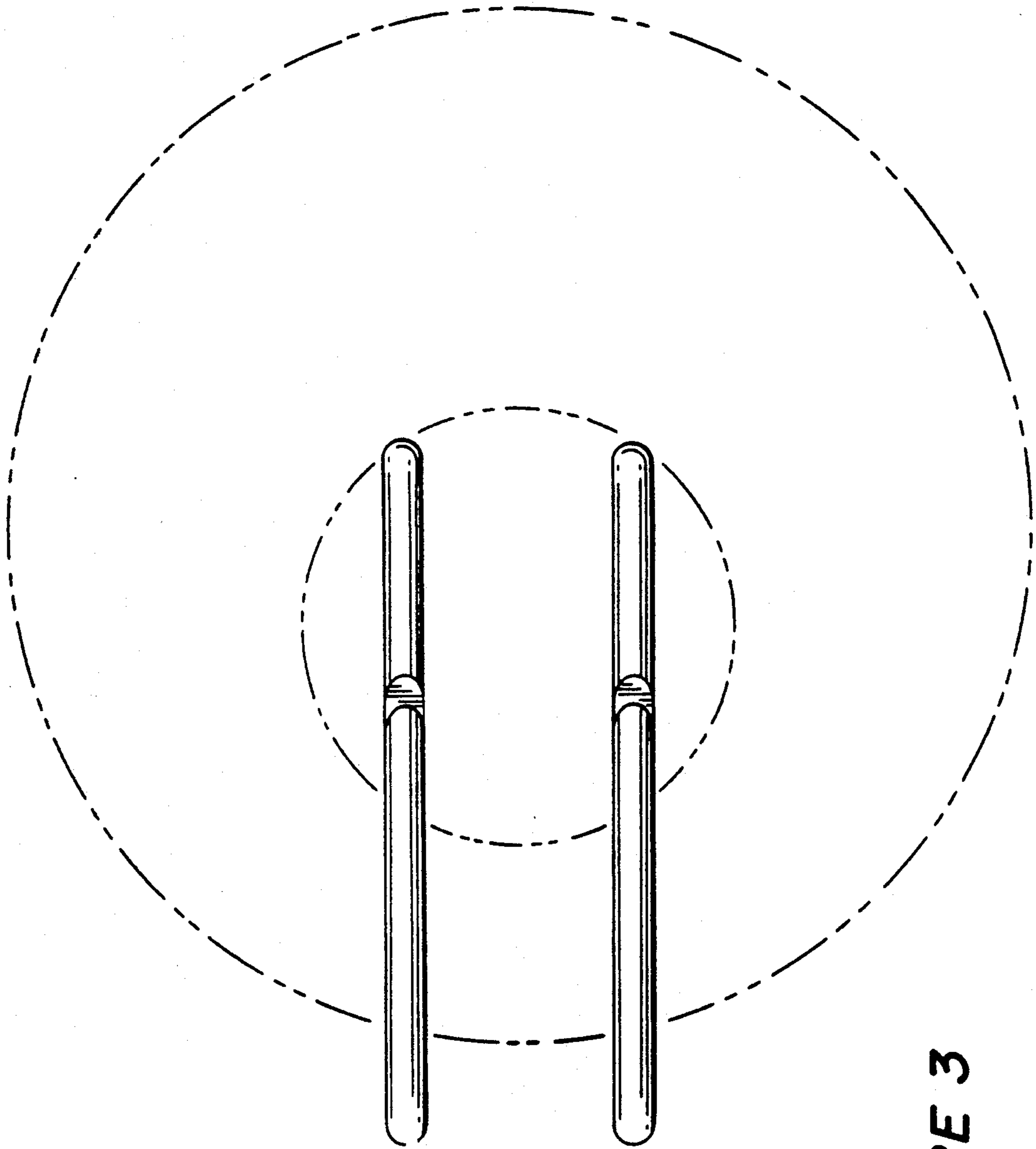
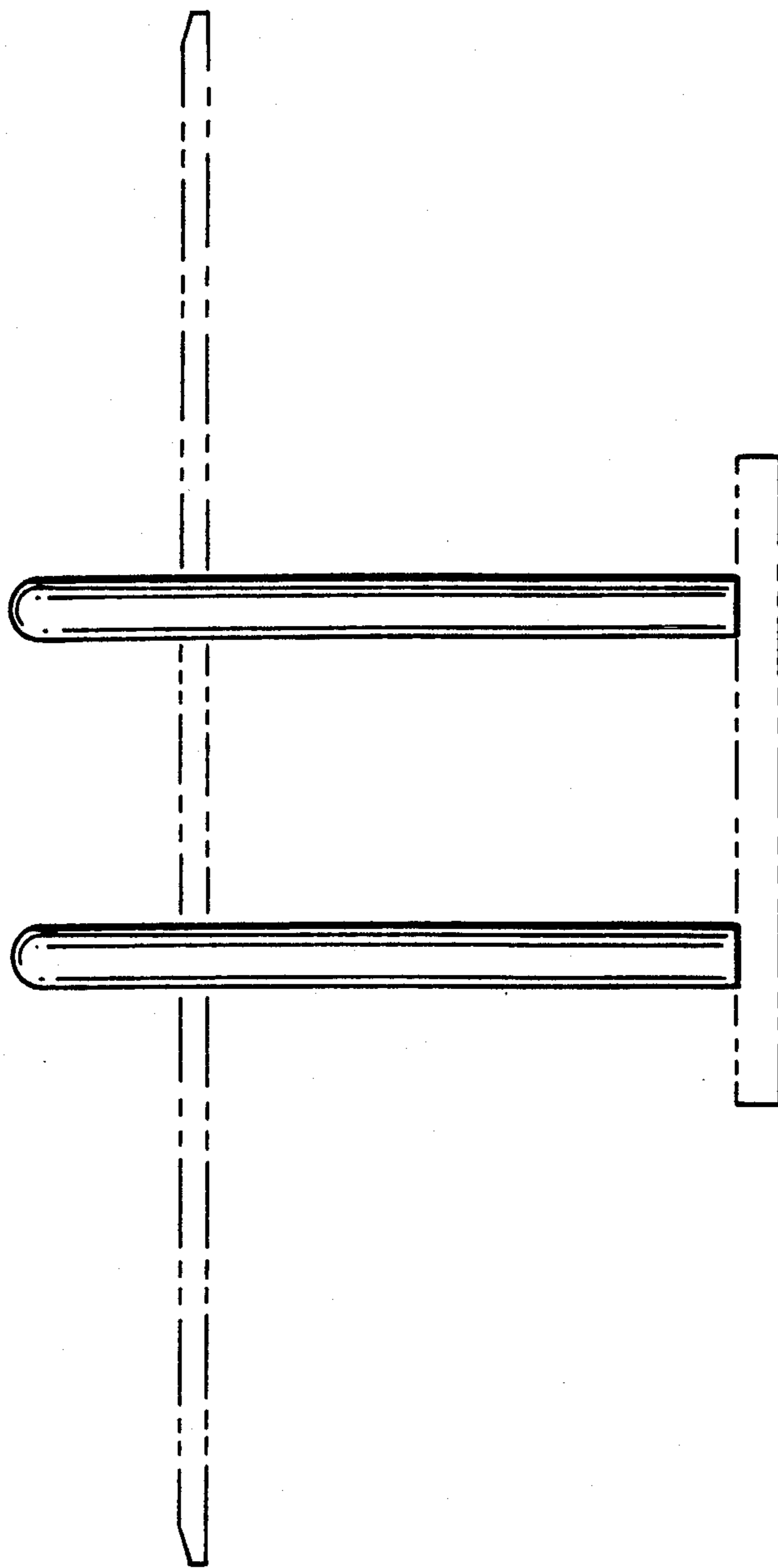


FIGURE 3



**FIGURE 4**